



US00D932280S

(12) **United States Design Patent**
Garcia

(10) **Patent No.:** **US D932,280 S**

(45) **Date of Patent:** **** Oct. 5, 2021**

(54) **LOCKING PIN**

(71) Applicant: **Coulter Ventures, LLC.**, Columbus, OH (US)

(72) Inventor: **Nicolas Garcia**, Centerburg, OH (US)

(73) Assignee: **Coulter Ventures, LLC.**, Columbus, OH (US)

(**) Term: **15 Years**

(21) Appl. No.: **29/765,483**

(22) Filed: **Jan. 8, 2021**

Related U.S. Application Data

(63) Continuation of application No. 29/736,384, filed on May 29, 2020, now Pat. No. Des. 909,176, which is a continuation of application No. 29/667,362, filed on Oct. 19, 2018, now Pat. No. Des. 885,864.

(51) **LOC (13) Cl.** **08-07**

(52) **U.S. Cl.**
USPC **D8/331**

(58) **Field of Classification Search**
USPC D8/330, 331, 336, 337, 338, 339, 341, D8/342, 343, 350; D21/681, 682, 694
CPC ... A63B 21/08; A63B 21/078; A63B 21/0783; A63B 21/16; A63B 2071/0081; A63B 1/005; A63B 21/0728; E05B 9/00; E05B 9/08; E05B 9/002; E05B 47/00; E05B 63/00; E05B 63/0004; E05B 63/06
See application file for complete search history.

(56) **References Cited**

U.S. PATENT DOCUMENTS

3,056,226 A 10/1962 Hubbard et al.
D248,114 S * 6/1978 Mangiapane D21/662
D263,555 S * 3/1982 Curtis D8/331
D279,495 S * 7/1985 Barbeau D21/681
D280,433 S * 9/1985 Lincir D21/694

4,679,788 A * 7/1987 Adler A63B 21/0615
482/108
4,681,315 A * 7/1987 Yang A63B 21/0726
482/127
4,711,106 A * 12/1987 Johnson E05B 67/36
70/34
D306,886 S * 3/1990 Shiek D21/662
5,049,900 A * 9/1991 Bidner H04N 1/00591
347/262
5,203,753 A * 4/1993 Rothhammer A63B 21/072
411/55

(Continued)

OTHER PUBLICATIONS

Product listing for Rogue Monster Plate Storage Pin from <https://web.archive.org/web/20170423182638/http://www.roguefitness.com/rogue-monster-plate-storage-pin>, dated Apr. 23, 2017.

(Continued)

Primary Examiner — Steven J Czyz

(74) *Attorney, Agent, or Firm* — Banner & Witcoff, Ltd.

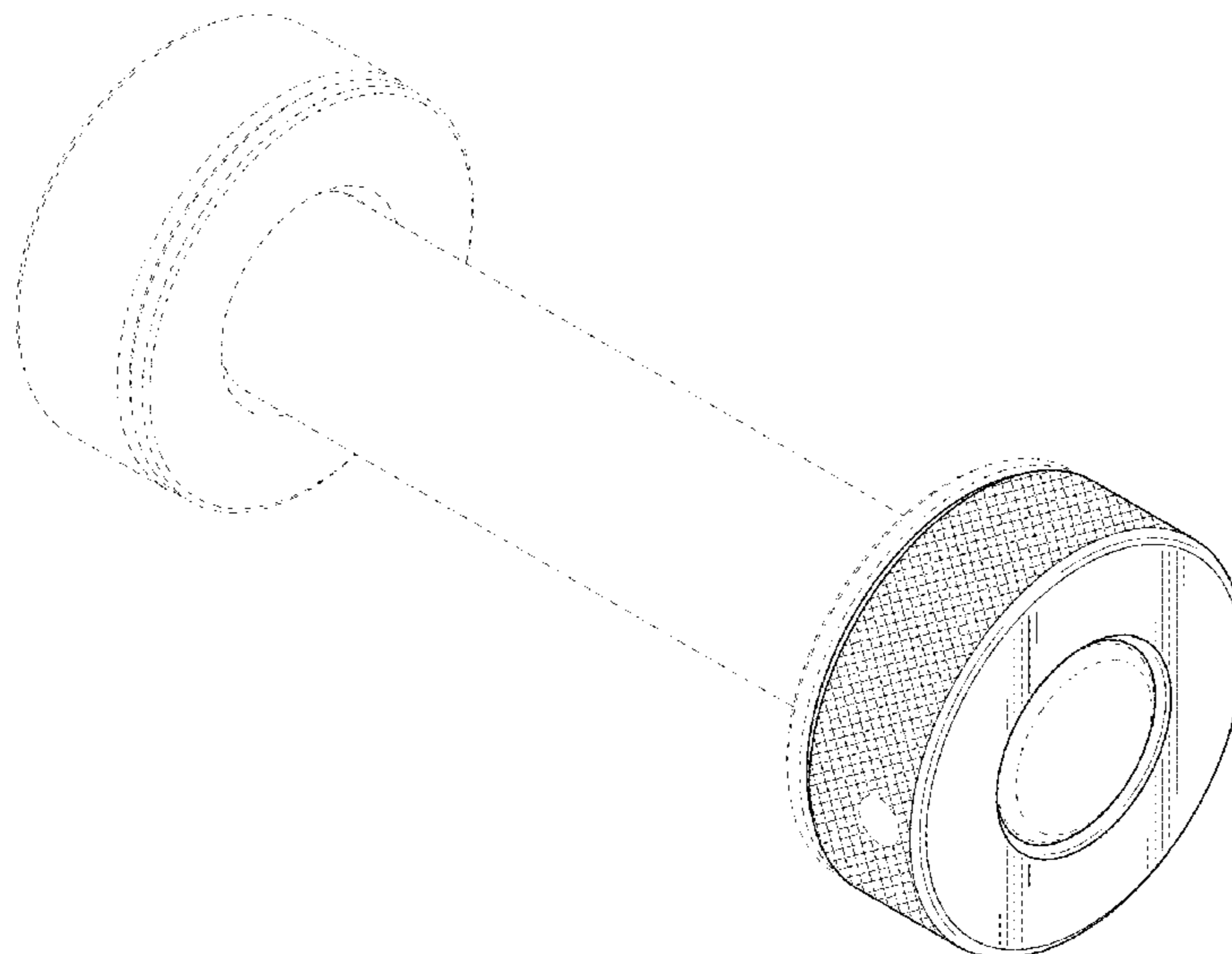
(57) **CLAIM**

The ornamental design for a locking pin, as shown and described.

DESCRIPTION

FIG. 1 is a top, front, right perspective view of a locking pin showing my new design;
FIG. 2 is a right side view thereof;
FIG. 3 is a left side view thereof;
FIG. 4 is a top view thereof;
FIG. 5 is a bottom view thereof;
FIG. 6 is a front view thereof; and
FIG. 7 is a rear view thereof; and,
FIG. 8 is a top, front, left perspective view of the locking pin shown in use with environment.
The broken lines depict portions of the article and environment that form no part of the claimed design.

1 Claim, 5 Drawing Sheets



(56)

References Cited

U.S. PATENT DOCUMENTS

5,391,133	A *	2/1995	Ruffa	A63B 21/0601 482/107	D692,970	S *	11/2013	Lien	D21/681
D358,856	S *	5/1995	Boettger, Jr.	D21/684	D694,091	S *	11/2013	Gartner	D8/330
D367,902	S *	3/1996	Silk	D21/710	D696,723	S *	12/2013	Livingstone	D19/86
5,518,478	A *	5/1996	Liang	A63B 21/0728 482/105	D709,754	S *	7/2014	Lylyk	D8/331
5,556,362	A *	9/1996	Whipps	A63B 21/063 482/97	8,876,396	B2 *	11/2014	Guilford	F16C 33/586 384/549
D374,897	S *	10/1996	Whisman	D21/710	D720,201	S *	12/2014	Gokcebay	D8/331
5,692,981	A *	12/1997	Whisman	A63B 67/14 473/588	8,951,169	B1 *	2/2015	Casper	A63B 21/4049 482/106
D401,649	S *	11/1998	Bellehumeur	D21/710	9,126,079	B2 *	9/2015	Jordan	A63B 21/072
5,839,977	A *	11/1998	Maurer	A63B 59/70 473/446	9,132,315	B1 *	9/2015	Chen	A63B 21/4049
5,997,597	A *	12/1999	Hagan	B24D 5/00 451/527	D740,897	S *	10/2015	Miltner	D21/694
D421,762	S *	3/2000	Shirley	D16/227	D747,640	S *	1/2016	Scalisi	D8/331
6,059,700	A *	5/2000	Eilenburg	A63B 21/0724 482/107	9,314,661	B1 *	4/2016	Chen	A63B 21/0728
D428,795	S *	8/2000	Wyers	D8/341	D758,167	S *	6/2016	Gartner	D8/334
D431,114	S *	9/2000	Smith	D21/710	D758,168	S *	6/2016	Gartner	D8/334
6,123,651	A *	9/2000	Eilenburg	A63B 71/0036 482/104	D770,881	S *	11/2016	Gartner	D8/334
6,132,345	A *	10/2000	Beierschmitt	A63B 21/072 482/108	9,526,941	B2	12/2016	Wu	
D444,050	S *	6/2001	Wyers	D8/341	D777,851	S *	1/2017	Simonetti	D21/694
D447,043	S *	8/2001	Wyers	D8/339	D793,205	S *	8/2017	Ho	D8/330
6,412,315	B1 *	7/2002	Cheng	B60D 1/52 280/507	D795,041	S *	8/2017	Oliva Camacho	D8/331
D461,392	S *	8/2002	Zapushek	D8/331	D796,298	S *	9/2017	Lylyk	D8/331
D464,094	S *	10/2002	Fond	D21/680	9,874,042	B2 *	1/2018	Gartner	E05B 41/00
6,602,169	B1 *	8/2003	Patti	A63B 21/0728 482/107	D830,811	S *	10/2018	Frantz	D8/330
6,689,022	B1 *	2/2004	Emick	A63B 21/06 482/93	D837,031	S *	1/2019	Cavanna	D8/331
6,722,170	B2 *	4/2004	Squier	E05B 9/08 292/DIG. 53	D843,197	S *	3/2019	Dempsey	D8/343
D493,518	S *	7/2004	McAllister	D24/104	D843,524	S *	3/2019	Henniger	D21/694
D496,414	S *	9/2004	Harms	D21/681	D846,044	S *	4/2019	Peritz	D21/694
6,862,905	B2 *	3/2005	Zapushek	B60D 1/60 70/14	D857,132	S *	8/2019	Dube	D21/694
D504,923	S *	5/2005	Harms	D21/681	D857,143	S *	8/2019	Mateko	D22/108
D519,584	S *	4/2006	Brice	D21/681	10,456,617	B1 *	10/2019	Allison	A63B 22/16
7,048,678	B2 *	5/2006	Harms	A63B 21/0728 482/107	10,458,838	B2 *	10/2019	Lee	G01C 19/00
D561,001	S *	2/2008	Rohde	D8/334	10,493,313	B2 *	12/2019	Jones	A63B 21/0603
D561,852	S *	2/2008	Frey	D21/710	D876,924	S *	3/2020	Xie	D8/331
D579,993	S *	11/2008	Fairchild	D21/710	10,576,322	B2 *	3/2020	Schlegel	A63B 69/345
D581,248	S *	11/2008	Wu	D8/343	D884,467	S *	5/2020	Suen	D9/414
D581,249	S *	11/2008	Wu	D8/343	D885,864	S *	6/2020	Garcia	D8/331
7,491,156	B1 *	2/2009	GaoYong	A63B 21/0724 482/106	D891,147	S *	7/2020	Denby	D6/553
D589,779	S *	4/2009	Wrase	D8/330	D891,545	S *	7/2020	Jones	D21/694
D594,311	S *	6/2009	Stevens	D8/331	D909,176	S *	2/2021	Garcia	D8/331
D615,605	S *	5/2010	Frasco	D21/694	D919,422	S *	5/2021	Stilson	D8/396
7,740,569	B2	6/2010	Patti		2006/0096876	A1 *	5/2006	Scott	B62D 53/085 206/349
7,775,948	B2 *	8/2010	Chen	A63B 21/075 482/108	2007/0024397	A1	2/2007	Otsuka et al.	
7,819,786	B1 *	10/2010	Cao	A63B 21/0726 482/106	2007/0029894	A1	2/2007	Yamaoka et al.	
8,033,964	B1 *	10/2011	Chen	A63B 21/00069 482/106	2007/0243976	A1 *	10/2007	Cao	A63B 21/063 482/94
D653,715	S *	2/2012	Tumminia	A63B 21/075 D21/679	2007/0298940	A1 *	12/2007	Anderson	A63B 21/075 482/107
8,201,844	B1 *	6/2012	Smoot	B60D 1/025 280/491.5	2008/0022095	A1	1/2008	Kamio et al.	
8,210,996	B2	7/2012	Anderson		2008/0220952	A1 *	9/2008	Yang	A63B 21/0728 482/107
8,302,435	B2 *	11/2012	Burmesch	B60D 1/025 70/34	2009/0002356	A1	1/2009	Sumioka et al.	
8,303,225	B2 *	11/2012	Kearl	F16B 37/044 411/344	2009/0023563	A1 *	1/2009	Liang	A63B 71/0036 482/106
8,500,609	B1 *	8/2013	Williams	A63B 21/0726 482/108	2009/0023971	A1	1/2009	Smith et al.	
					2009/0239719	A1 *	9/2009	Patti	A63B 21/0726 482/107
					2010/0007581	A1	1/2010	Kato et al.	
					2010/0075816	A1 *	3/2010	Anderson	A63B 21/0728 482/107
					2010/0190618	A1 *	7/2010	Chen	A63B 21/0728 482/108
					2012/0006836	A1 *	1/2012	Chen	B65D 1/22 220/694
					2013/0028886	A1	1/2013	Aceto et al.	
					2013/0040788	A1 *	2/2013	Booker	A63B 21/4043 482/106
					2013/0274077	A1 *	10/2013	Greenberg	A63B 21/0726 482/108
					2013/0288862	A1 *	10/2013	Lien	A63B 21/075 482/108
					2014/0027459	A1	1/2014	Madanat	
					2014/0106943	A1 *	4/2014	Simonetti	A63B 21/075 482/98
					2014/0274591	A1 *	9/2014	Miltner	A63B 21/00069 482/98

(56)

References Cited

U.S. PATENT DOCUMENTS

2015/0133274 A1* 5/2015 Simonetti A63B 21/4034
482/98
2016/0059062 A1* 3/2016 Simonetti A63B 71/0054
482/98
2016/0082794 A1* 3/2016 Mauerman B60D 1/34
280/455.1
2016/0101320 A1* 4/2016 Tsutsui A63B 21/0722
482/8
2016/0228739 A1* 8/2016 Wu A63B 21/4035
2017/0234706 A1* 8/2017 Martin G06F 3/0346
29/407.05
2017/0259103 A1* 9/2017 Simonetti A63B 21/0624
2018/0027217 A1 1/2018 Kreiner et al.
2018/0272175 A1* 9/2018 Henniger A63B 21/0607
2018/0296870 A1* 10/2018 Gangemi A63B 21/0724
2019/0003892 A1 1/2019 Aieta et al.
2019/0038872 A1 2/2019 Destrebecq et al.
2019/0038927 A1* 2/2019 Wilhelm A63B 21/0726
2019/0184256 A1* 6/2019 Mainini A63B 60/24
2019/0247701 A1* 8/2019 Sergakis A63B 21/078
2019/0388723 A1* 12/2019 Nalley A63B 24/0087
2020/0004702 A1 1/2020 Schardt et al.
2020/0023698 A1 1/2020 Tsai
2020/0047020 A1* 2/2020 Harms A63B 21/0724

OTHER PUBLICATIONS

Photos of Rogue Monster Plate Storage Pin from <https://web.archive.org/web/20170423182638/http://www.roguefitness.com/rogue-monster-plate-storage-pin>, dated Apr. 23, 2017.
Product photo posted at <https://www.facebook.com/roguefitness/photos/a.128475269459/10157445836814460/?type=3&theater>, dated Sep. 28, 2018.
Product photo posted at <https://www.facebook.com/roguefitness/photos/a.128475269459/10157445836759460/?type=3&theater>, dated Sep. 28, 2018.
Product listing from <https://www.roguefitness.com/rogue-monster-keyhole-keyless-plate-storage-pin>, product disclosed prior to Oct. 19, 2018, but not on or prior to Oct. 19, 2017.
GlideRite 1½" Knurled Knob, wayfair.com, <https://www.wayfair.com/home-improvement/pdp/gliderite-hardware-1-12-diameter-round-knob-hbty1266.html?piid=44148283> (Year: 2020).
Carrlane Adjustable Torque Knobs, Knurled Knobs and Screw Clamps, apexindustrialsupply.com, <https://apexindustrialsupply.com/carrlane-adjustable-torque-knob-c1-5-atk/> (Year: 2020).
PlankHardware Knurled Knob, etsy.com, https://www.etsy.com/listing/699993765/large-knurled-button-cabinet-knobs?ga_order=most_relevant&ga_search_type=all&ga_search_query=knurling&ref=sr_gallery-1-5&col=1 (Year: 2020).

* cited by examiner

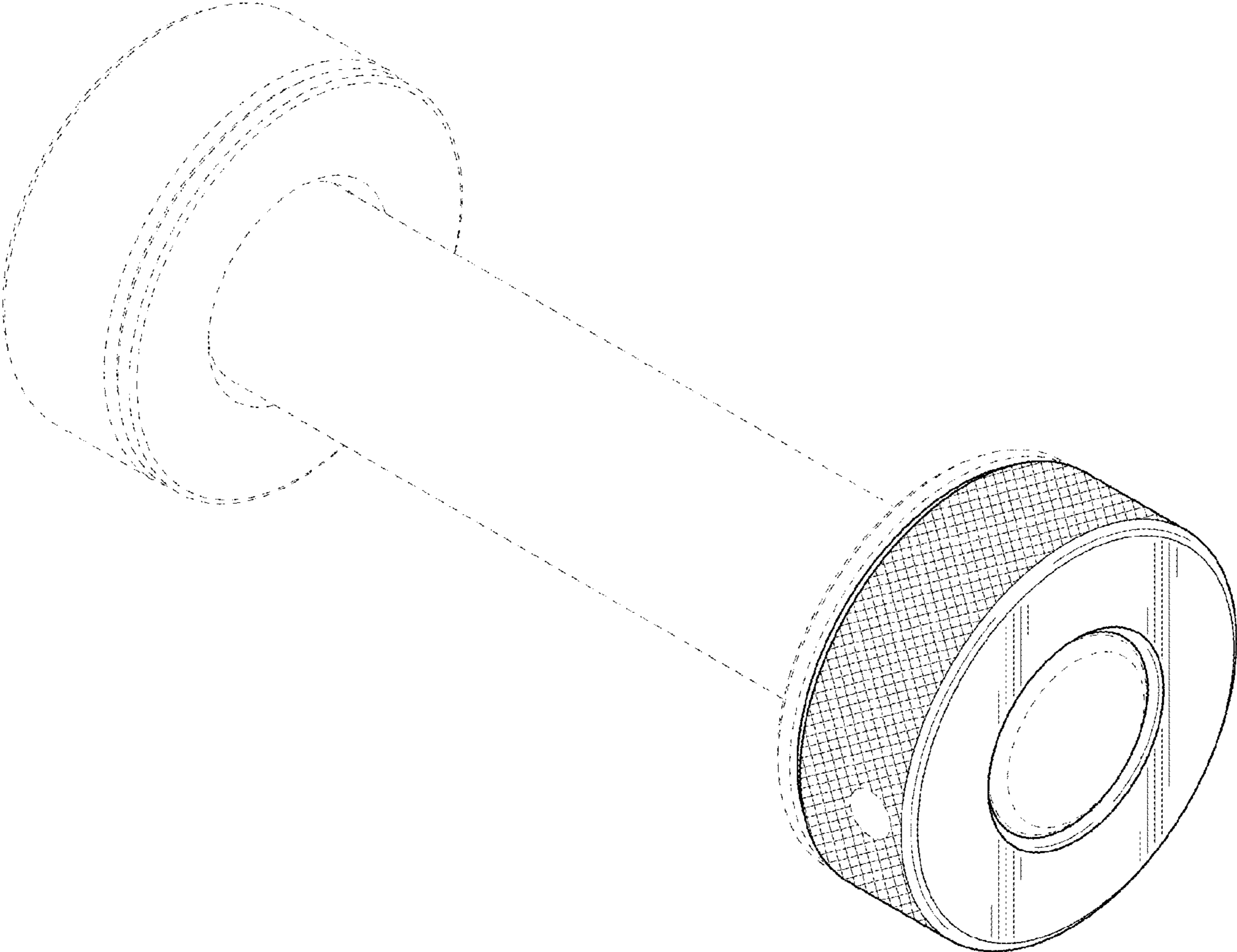


FIG. 1

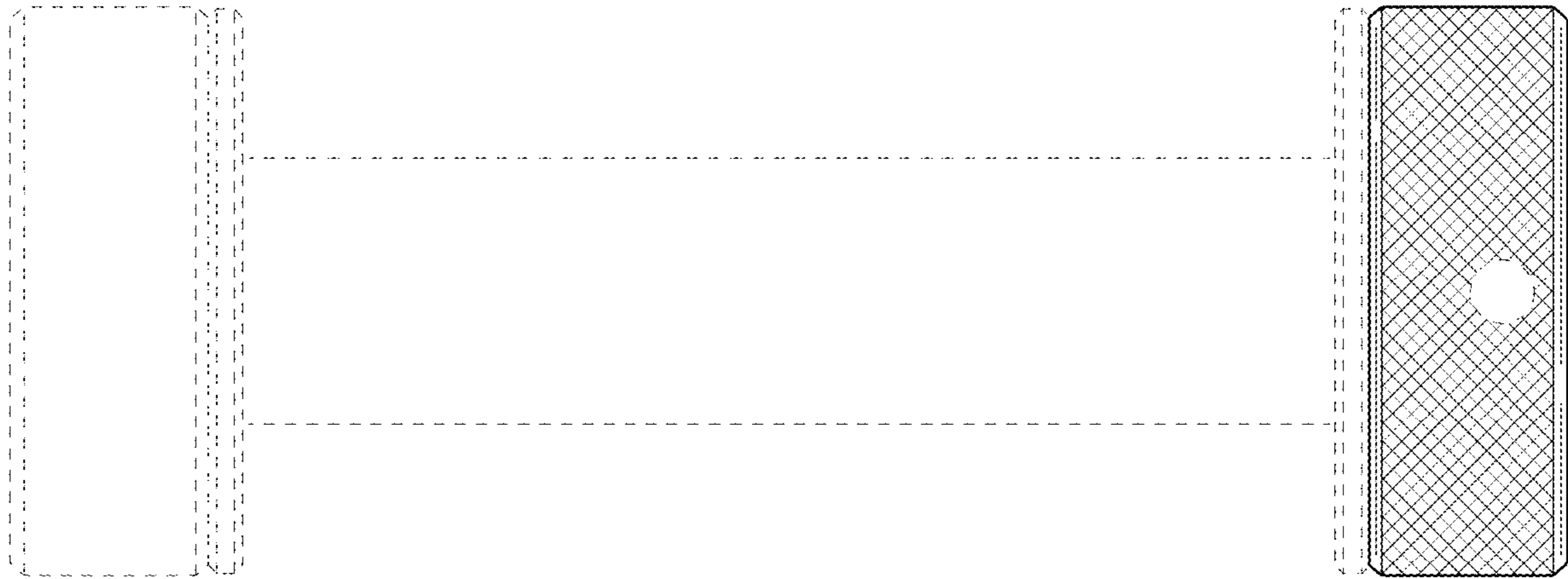


FIG. 2



FIG. 3

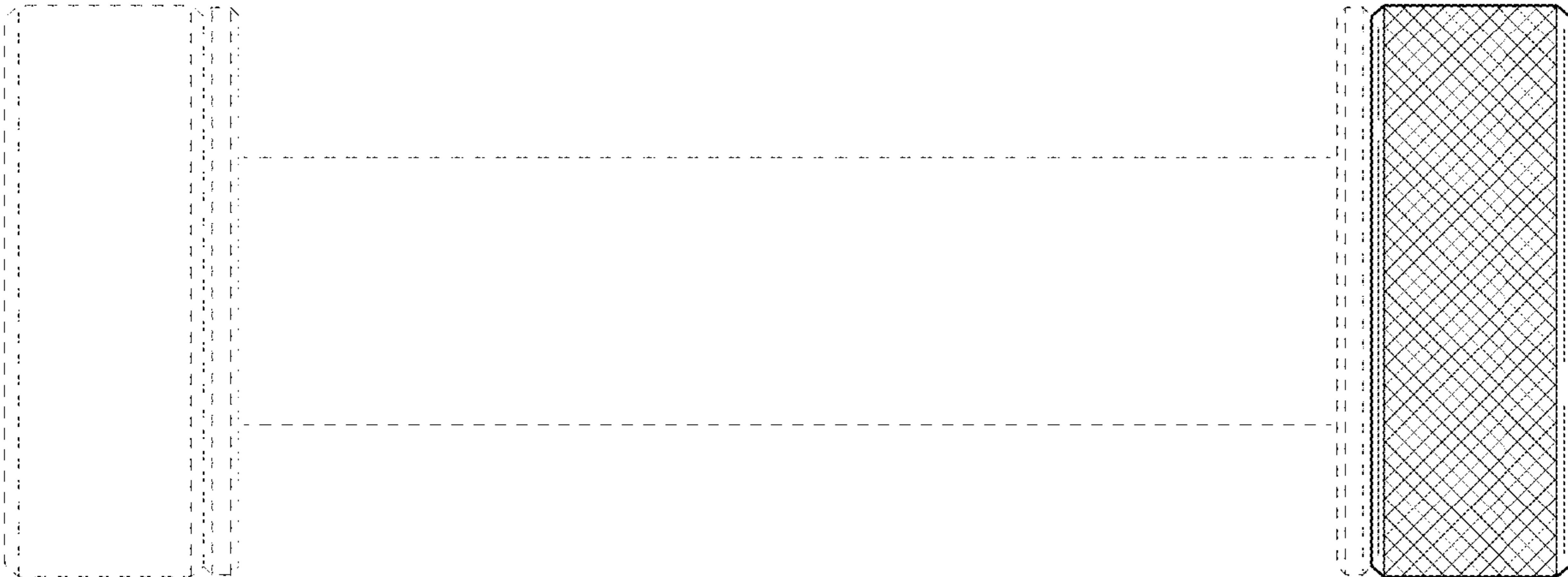


FIG. 4

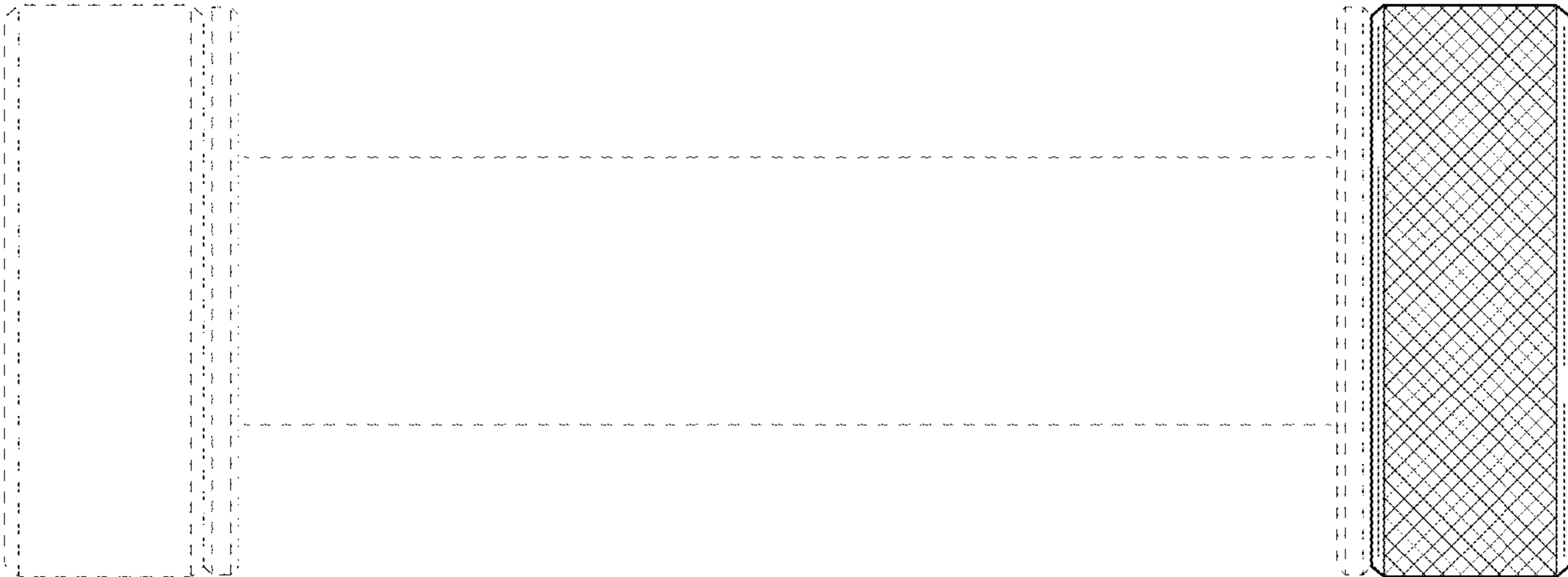


FIG. 5

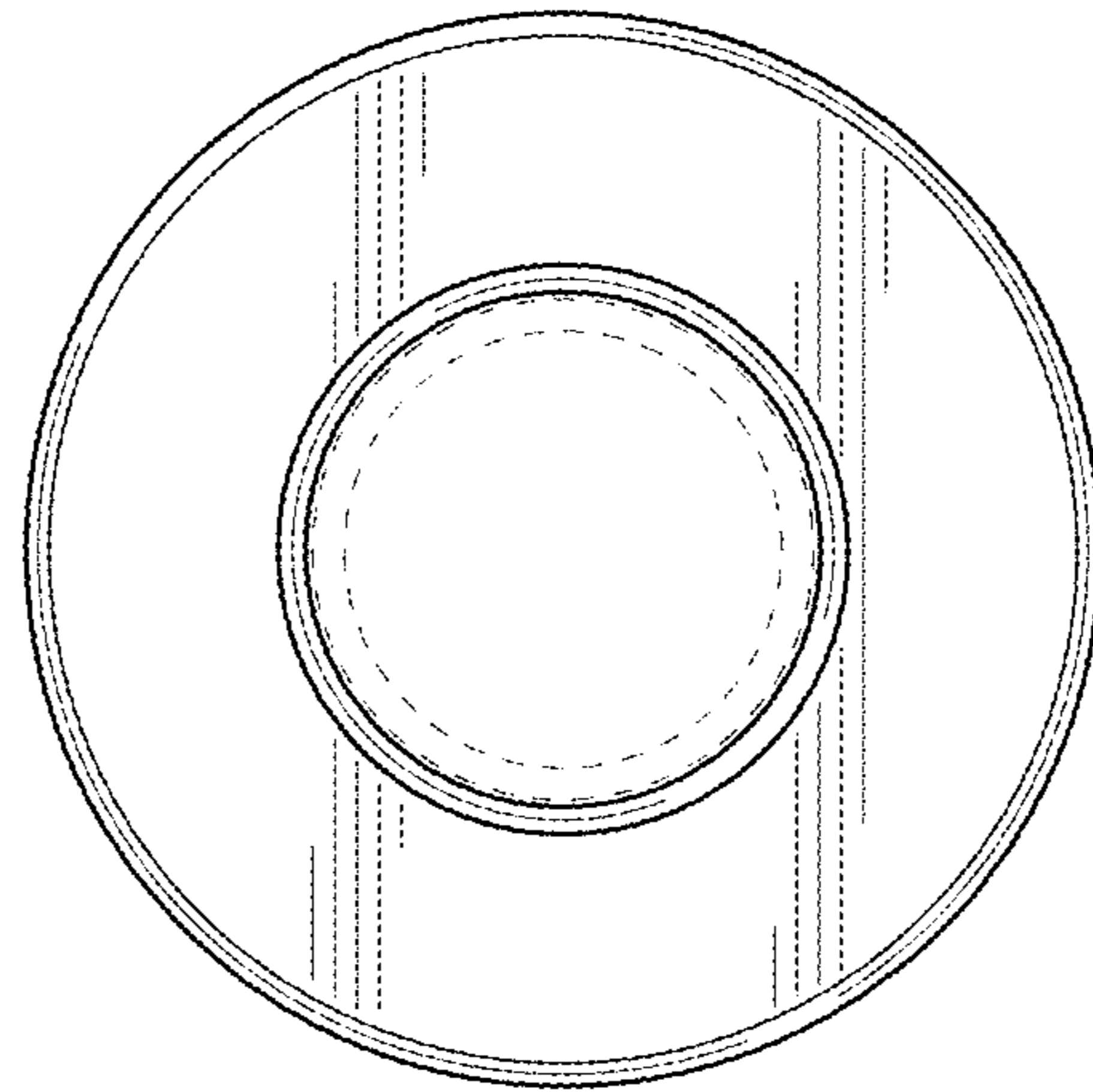


FIG. 6

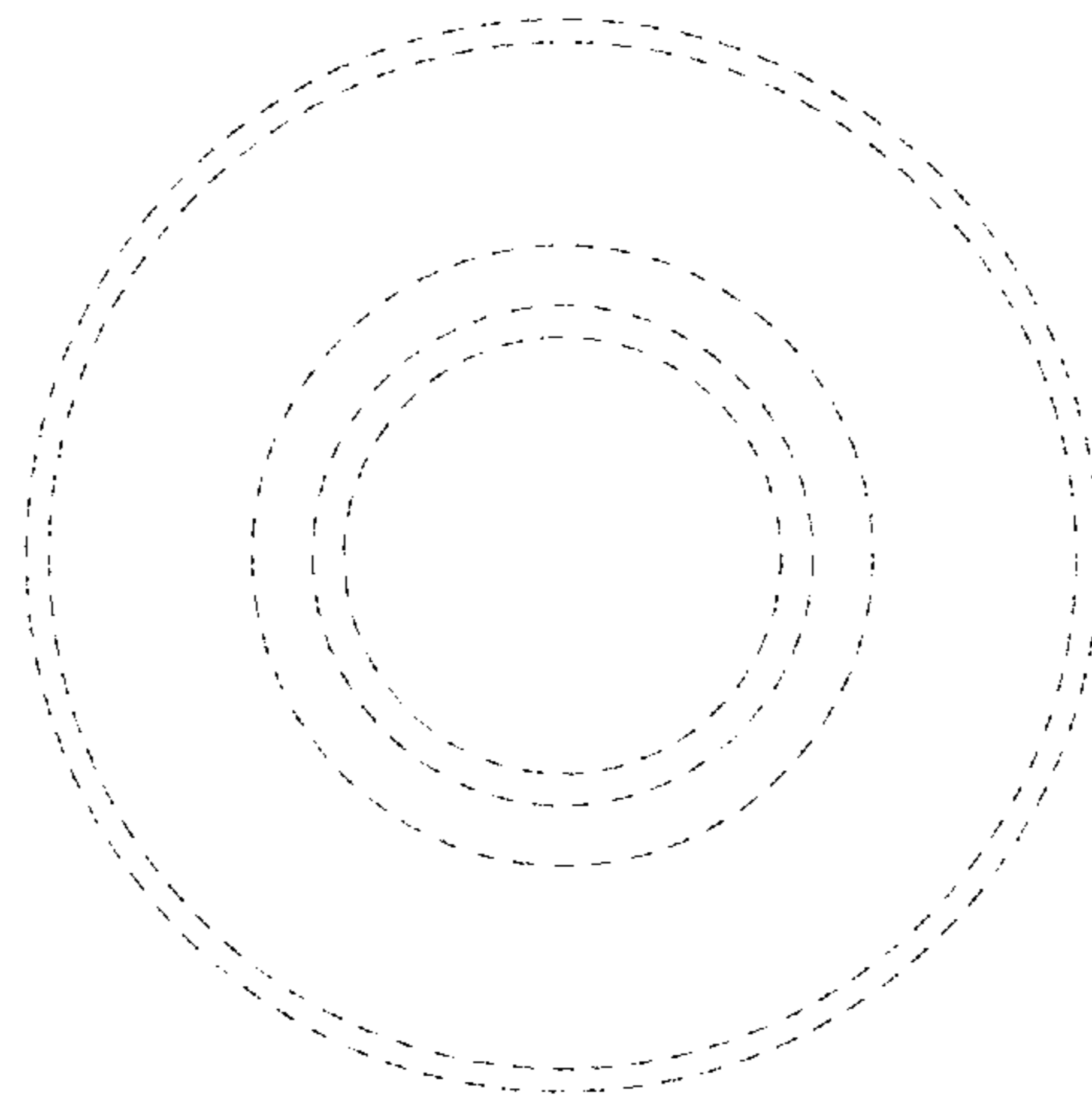


FIG. 7

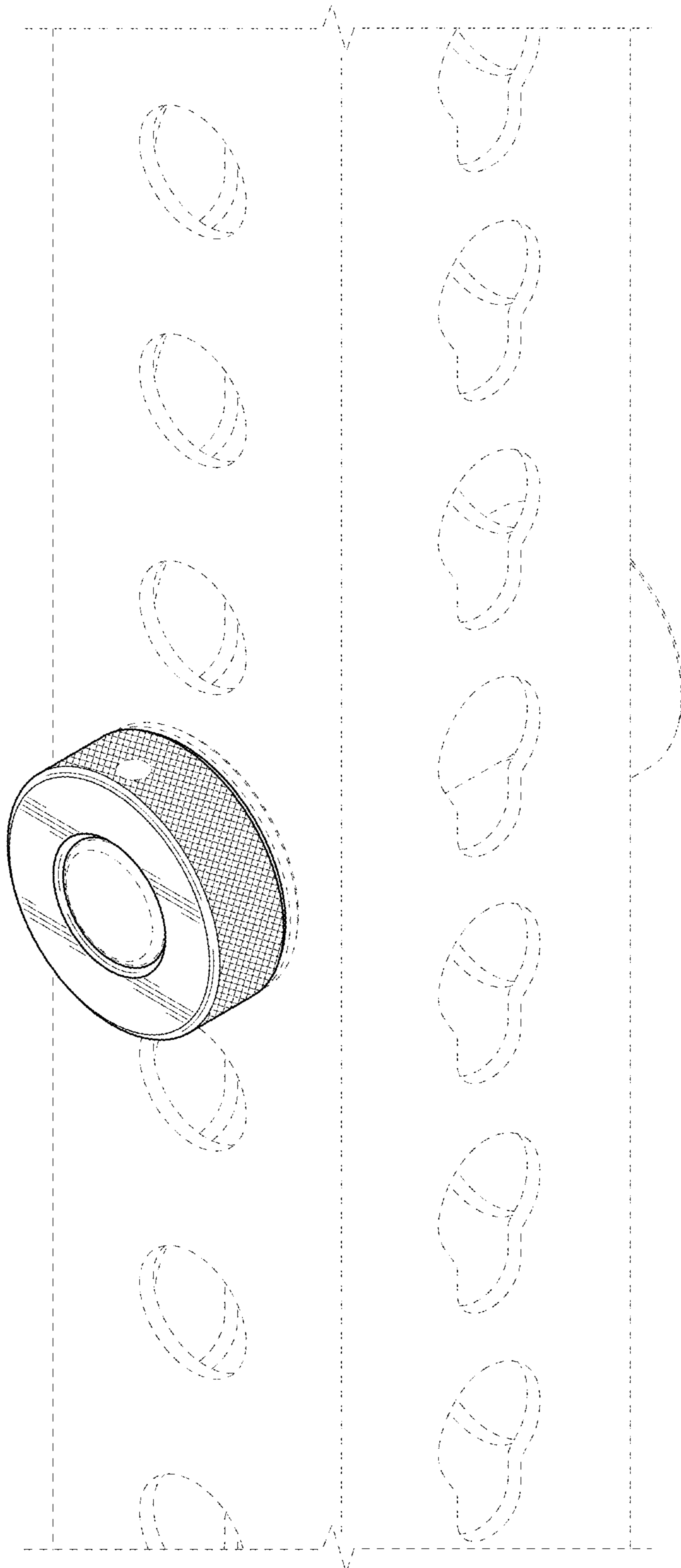


FIG. 8