



US00D932279S

(12) **United States Design Patent**
Ruecker

(10) **Patent No.:** **US D932,279 S**

(45) **Date of Patent:** **** Oct. 5, 2021**

(54) **FURNITURE HINGE**

(71) Applicant: **Julius Blum GmbH**, Hoechst (AT)

(72) Inventor: **Marco Ruecker**, Hohenems (AT)

(73) Assignee: **Julius Blum GmbH**, Hoechst (AT)

(**) Term: **15 Years**

(21) Appl. No.: **29/741,746**

(22) Filed: **Jul. 15, 2020**

(30) **Foreign Application Priority Data**

Jan. 17, 2020 (EM) 7522081
May 14, 2020 (EM) 7937669

(51) **LOC (13) Cl.** **08-06**

(52) **U.S. Cl.**
USPC **D8/323**

(58) **Field of Classification Search**
USPC D8/323, 328, 327; 16/250, 338, 227, 50,
16/269, 258; D12/223
CPC E05D 5/12; E05D 5/065; E05D 7/0415;
E05D 5/0276; E05D 7/04
See application file for complete search history.

(56) **References Cited**

U.S. PATENT DOCUMENTS

D259,240 S * 5/1981 Myron D12/317
D260,852 S * 9/1981 Loeschen D8/381
D268,893 S * 5/1983 Salice D8/323
4,558,485 A * 12/1985 Rock E05D 3/142
16/370
D299,616 S * 1/1989 Ferrari D8/323
D309,247 S * 7/1990 Grass D8/323
D309,704 S * 8/1990 Grass D8/323
D336,841 S * 6/1993 Wilson D8/323
5,283,929 A * 2/1994 Lin E05D 7/04
16/237

5,412,840 A * 5/1995 Lautenschlager E05D 5/0276
16/238
5,511,287 A * 4/1996 Lautenschlager E05D 7/0407
16/236
5,577,297 A * 11/1996 Lautenschlager E05D 5/08
16/254
D395,590 S * 6/1998 Finkelstein D8/323
(Continued)

Primary Examiner — Cynthia R Underwood
(74) *Attorney, Agent, or Firm* — Wenderoth, Lind &
Ponack, L.L.P.

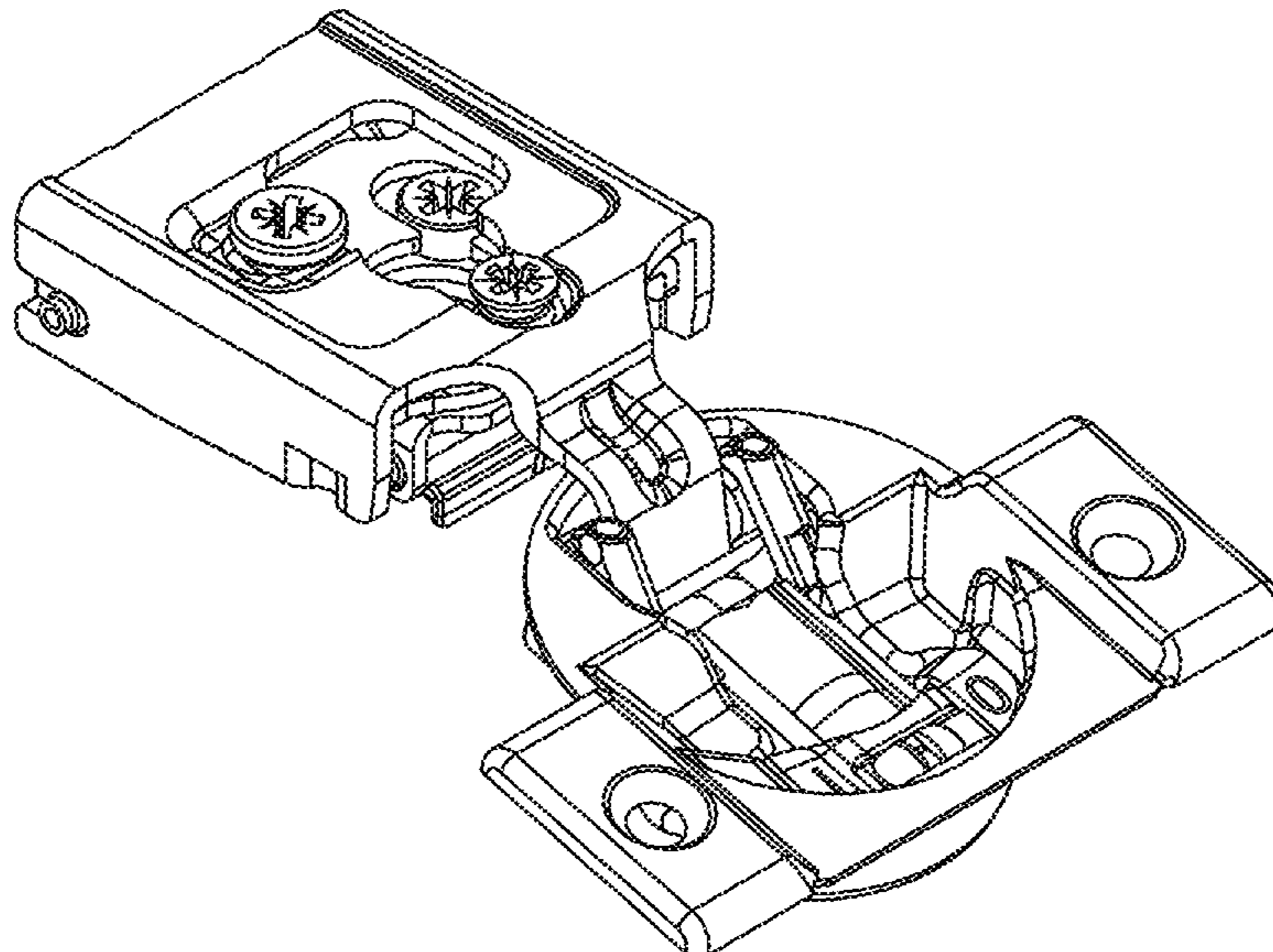
(57) **CLAIM**

The ornamental design for a furniture hinge, as shown and described.

DESCRIPTION

FIG. 1 is a front perspective view of the first embodiment of a furniture hinge;
FIG. 2 is a top view thereof;
FIG. 3 is a bottom view thereof;
FIG. 4 is a right side view thereof;
FIG. 5 is a left side view thereof;
FIG. 6 is a front view thereof;
FIG. 7 is a rear view thereof;
FIG. 8 is an exploded view thereof;
FIG. 9 is a front perspective view of the furniture hinge in its folded position;
FIG. 10 is a front perspective view of the second embodiment of a furniture hinge;
FIG. 11 is a top view thereof;
FIG. 12 is a bottom view thereof;
FIG. 13 is a right side view thereof;
FIG. 14 is a front view thereof;
FIG. 15 is a rear view thereof;
FIG. 16 is a left side view thereof;
FIG. 17 is an exploded view thereof; and,
FIG. 18 is a front perspective view of the furniture hinge in its folded position.

1 Claim, 18 Drawing Sheets



US D932,279 S

Page 2

(56)

References Cited

U.S. PATENT DOCUMENTS

5,930,866 A * 8/1999 Rupprechter E05D 11/1014
 16/242
 5,964,010 A * 10/1999 Huber E05D 7/0407
 16/237
 6,170,121 B1 * 1/2001 Domenig E05D 5/065
 16/236
 D451,000 S * 11/2001 Karl D8/323
 6,401,298 B1 * 6/2002 Lenz E05D 11/1021
 16/303
 6,557,210 B2 * 5/2003 Kincaid E05D 11/0054
 16/250
 6,694,567 B1 * 2/2004 Domenig E05D 7/0415
 16/238
 6,810,563 B1 * 11/2004 Domenig E05D 5/065
 16/236
 6,880,205 B2 * 4/2005 Rupprechter E05D 7/0415
 16/235
 6,918,158 B2 * 7/2005 Isele E05D 7/0415
 16/235
 7,017,231 B2 * 3/2006 Isele E05D 7/0407
 16/242
 D523,323 S * 6/2006 Domenig D8/323
 7,213,300 B1 * 5/2007 Domenig E05D 7/04
 16/236
 7,231,691 B1 * 6/2007 Domenig E05D 7/0407
 16/236
 7,509,708 B1 * 3/2009 Radke E05D 7/0415
 16/237
 7,516,516 B2 * 4/2009 Wu E05D 7/0415
 16/238
 7,591,044 B2 * 9/2009 Migli E05D 5/065
 16/235
 7,614,116 B2 * 11/2009 Chen E05D 7/04
 16/238
 D611,801 S * 3/2010 Chustak D8/355
 7,810,212 B2 * 10/2010 Salice E05D 11/1021
 16/286
 D633,773 S * 3/2011 Yamanaka D8/323
 7,945,996 B2 * 5/2011 Gunderson E05F 1/061
 16/303
 7,966,696 B2 * 6/2011 Krammer E05F 5/02
 16/286
 D642,701 S * 8/2011 Howard D25/15
 D643,131 S * 8/2011 Howard D25/15
 D646,144 S * 10/2011 Osaki D8/329
 D652,706 S * 1/2012 Osaki D8/323
 8,276,241 B2 * 10/2012 Wu E05D 7/0415
 16/238
 D676,307 S * 2/2013 Oshima D8/323
 D676,308 S * 2/2013 Oshima D8/323
 8,387,213 B2 * 3/2013 Brunnmayr E05F 5/006
 16/327
 D684,839 S * 6/2013 Oshima D8/323

D700,036 S * 2/2014 Oshima D8/323
 8,650,711 B1 * 2/2014 Chen E05F 5/006
 16/54
 8,689,402 B2 * 4/2014 Brunnmayr E05D 11/1014
 16/296
 D718,608 S * 12/2014 Russo D8/323
 D719,009 S * 12/2014 Russo D8/323
 D719,010 S * 12/2014 Russo D8/323
 D719,011 S * 12/2014 Russo D8/323
 D719,809 S * 12/2014 Mitchell D8/323
 D719,811 S * 12/2014 Cooper D8/323
 8,925,151 B2 * 1/2015 Salice E05F 3/20
 16/286
 D725,989 S * 4/2015 Gompper D8/323
 9,163,447 B1 * 10/2015 Liang E05F 3/20
 9,328,544 B1 * 5/2016 Liang E05F 3/20
 10,030,427 B2 * 7/2018 McGregor E05D 7/0415
 10,745,954 B2 * 8/2020 McGregor E05F 5/006
 10,900,265 B2 * 1/2021 Migliorini E05D 3/186
 2003/0093877 A1 * 5/2003 Hofer E05D 7/081
 16/235
 2004/0107542 A1 * 6/2004 Rock E05D 5/065
 16/387
 2004/0163211 A1 * 8/2004 Rucker E05D 7/0415
 16/235
 2004/0163212 A1 * 8/2004 Isele E05D 7/0415
 16/235
 2004/0163213 A1 * 8/2004 Isele E05D 7/0407
 16/245
 2006/0137139 A1 * 6/2006 Wu E05D 7/0415
 16/236
 2007/0284852 A1 * 12/2007 Mater B60D 1/60
 280/507
 2008/0271291 A1 * 11/2008 Chen E05D 7/0407
 16/238
 2013/0111701 A1 * 5/2013 Salice E05F 3/20
 16/50
 2014/0082887 A1 * 3/2014 Siekierka E05D 7/04
 16/237
 2014/0259526 A1 * 9/2014 Migli E05D 7/125
 16/231
 2014/0359973 A1 * 12/2014 Ng E05D 7/00
 16/225
 2014/0373309 A1 * 12/2014 Ng E05D 7/0407
 16/308
 2015/0191952 A1 * 7/2015 Pyo E05D 7/04
 16/239
 2015/0240543 A1 * 8/2015 Ng E05D 7/0407
 16/233
 2015/0315832 A1 * 11/2015 Wu E05D 3/02
 16/54
 2015/0330128 A1 * 11/2015 Ng E05D 7/0407
 16/65
 2021/0148147 A1 * 5/2021 Capur E05D 7/123

* cited by examiner

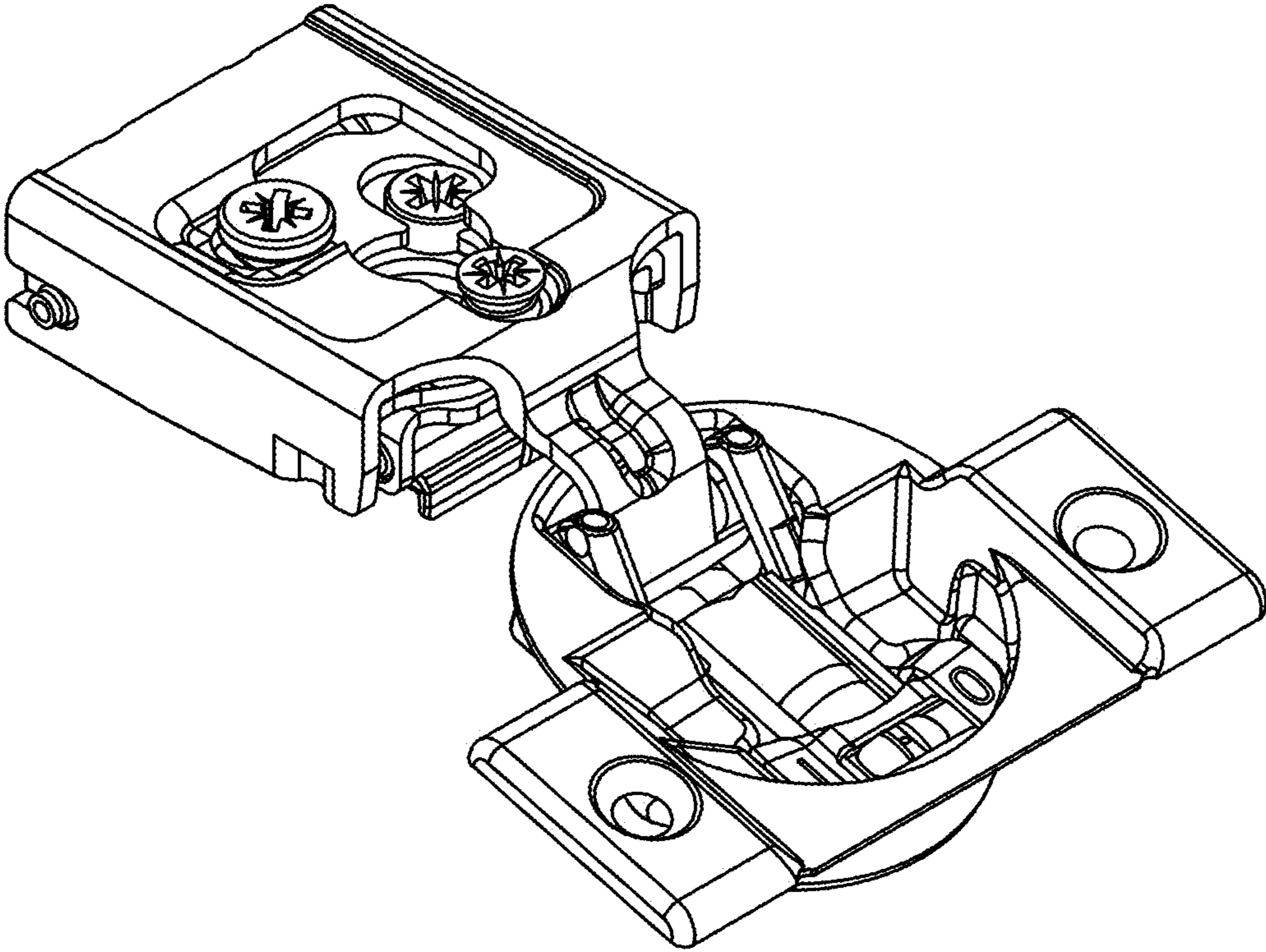


Fig. 1

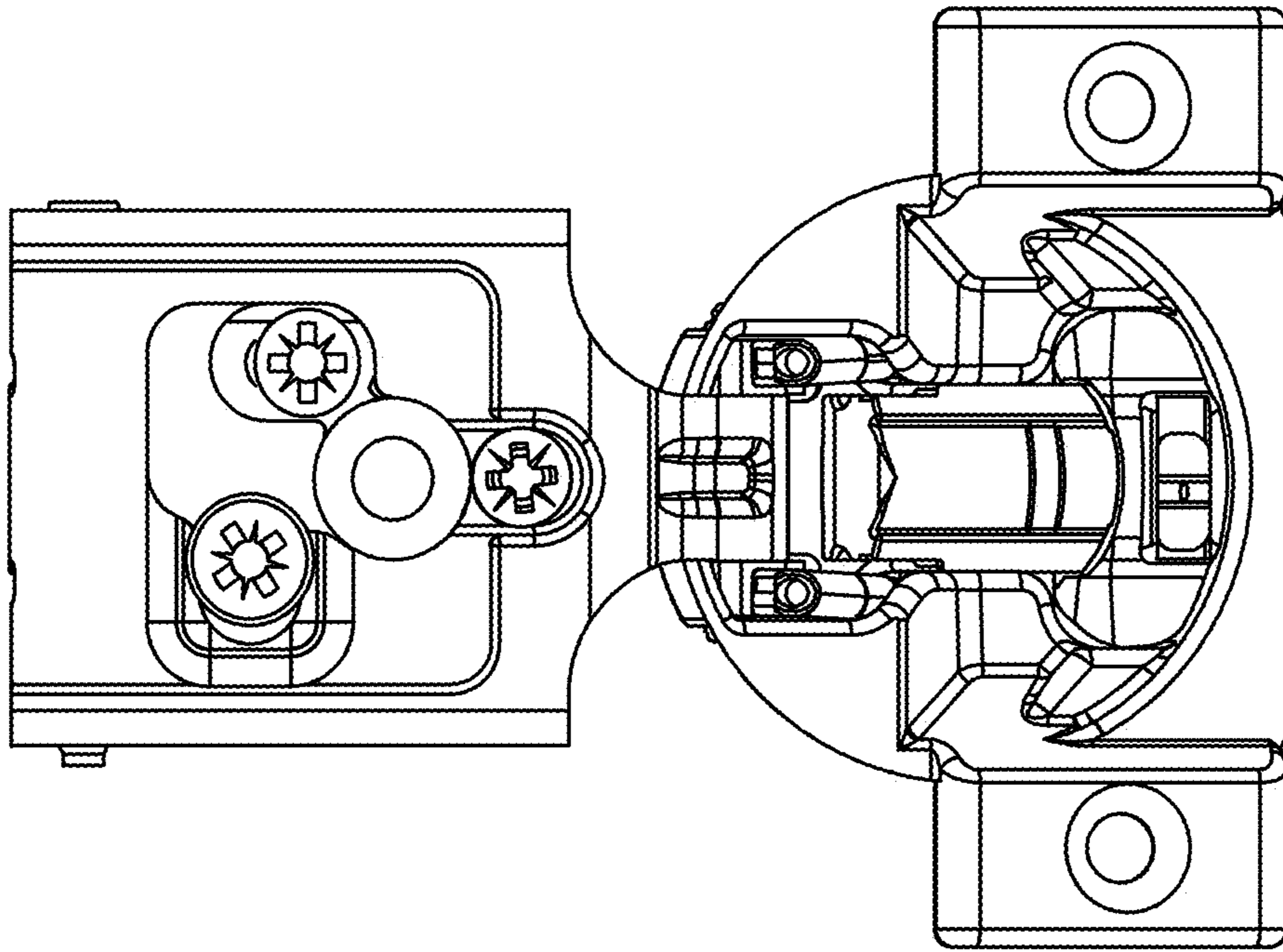


Fig. 2

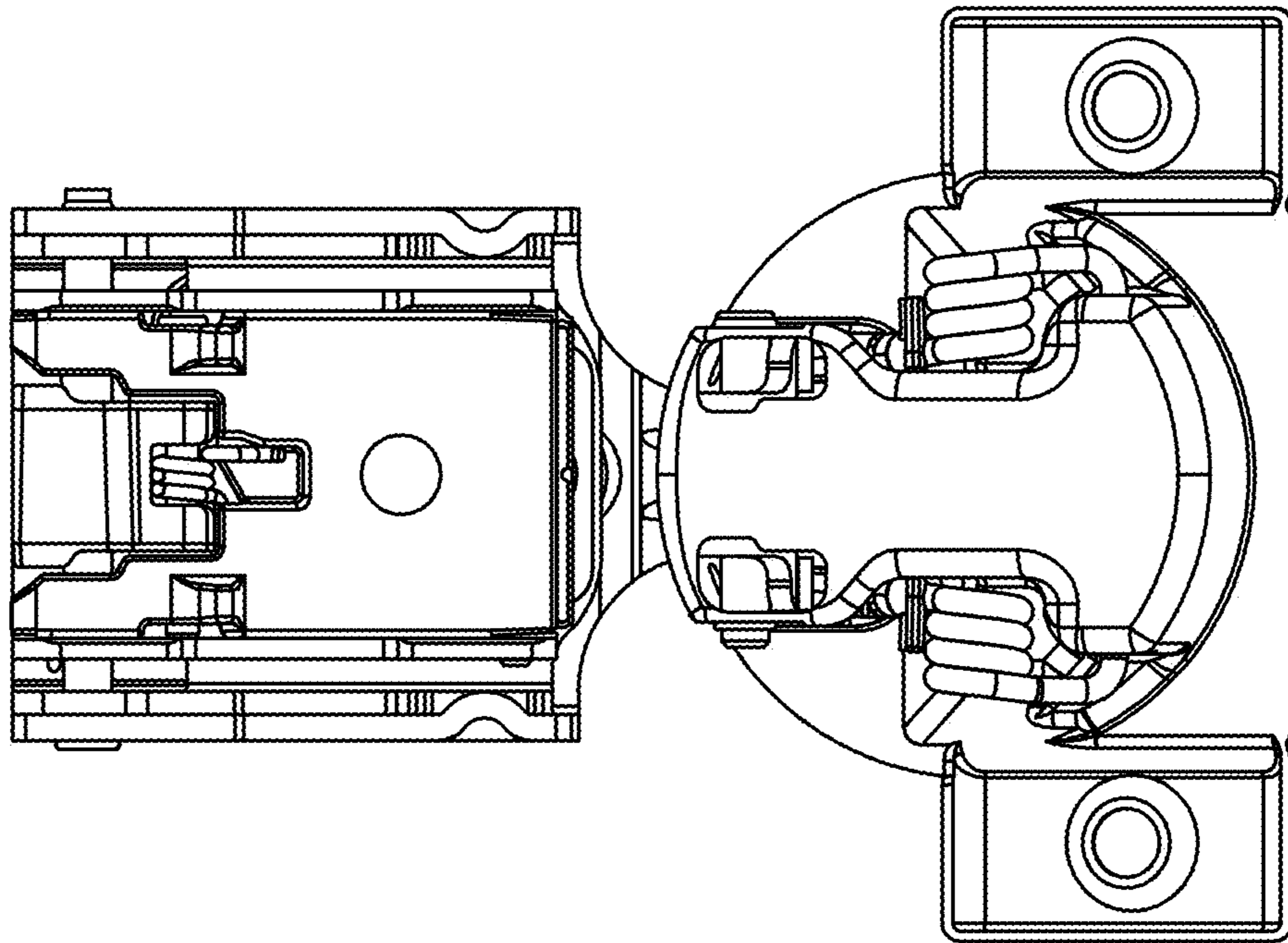


Fig. 3

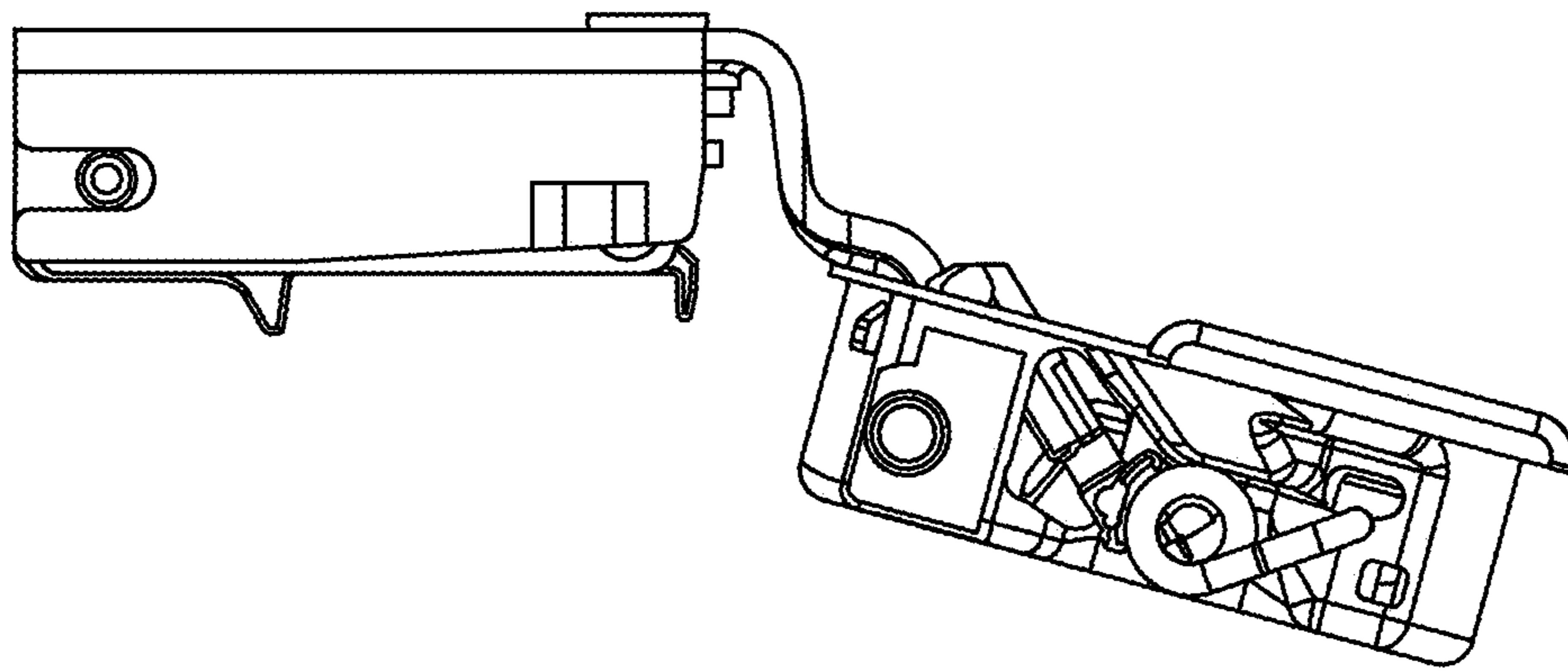


Fig. 4

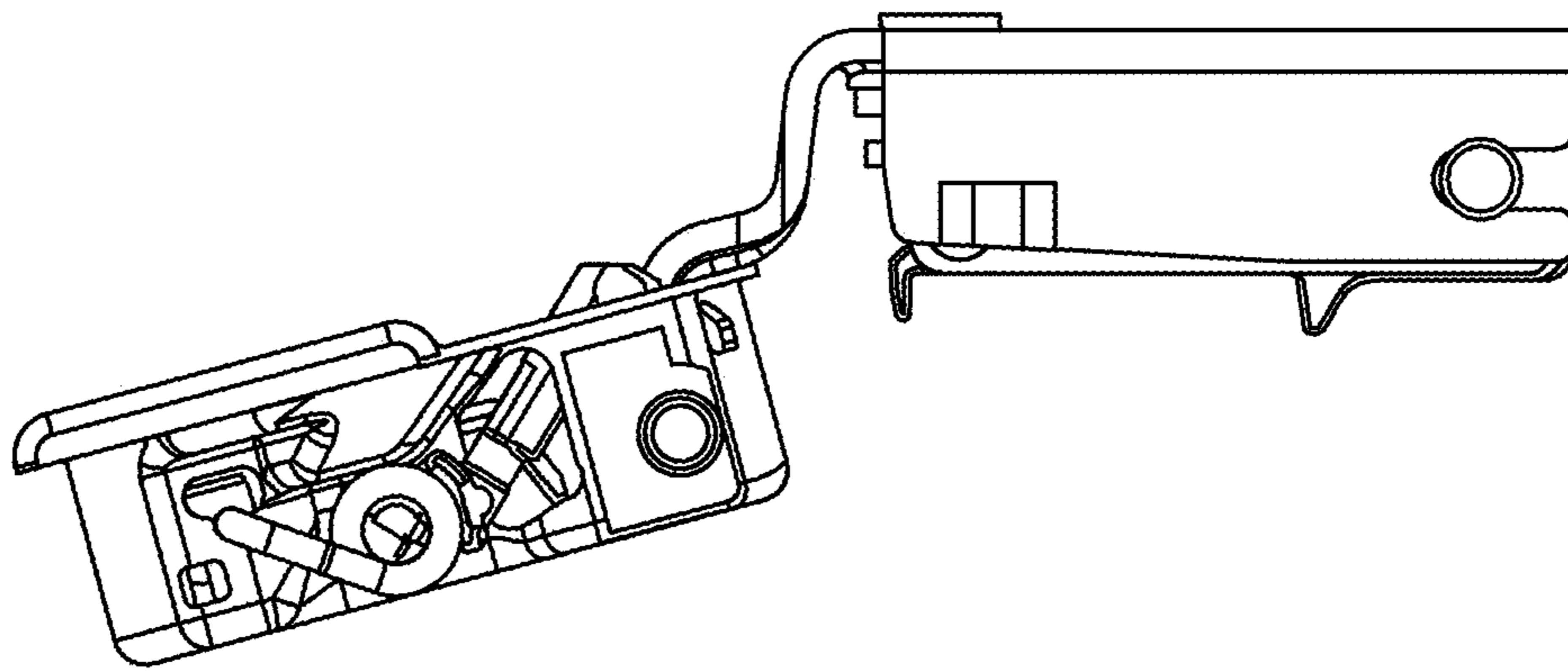


Fig. 5

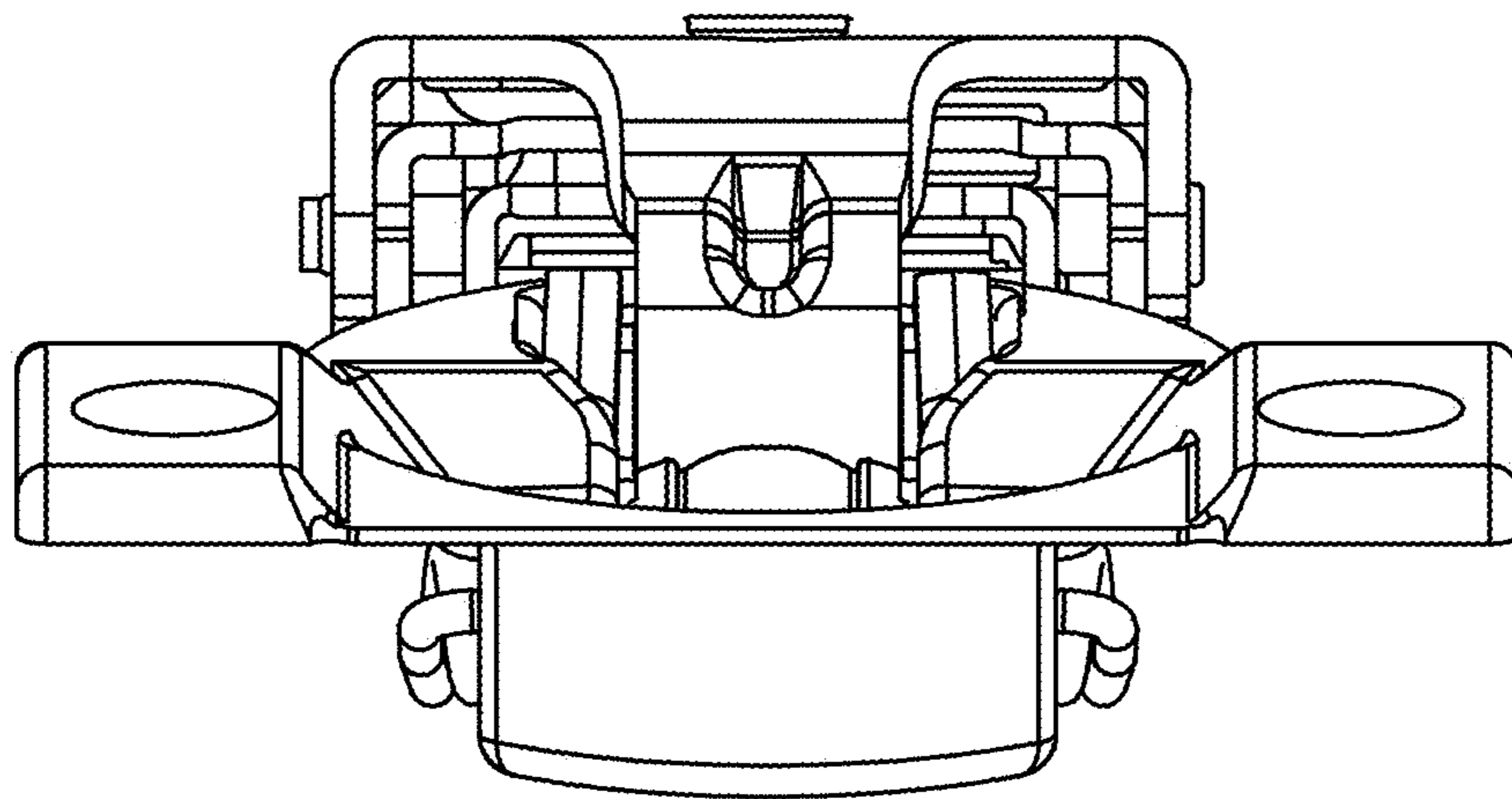


Fig. 6

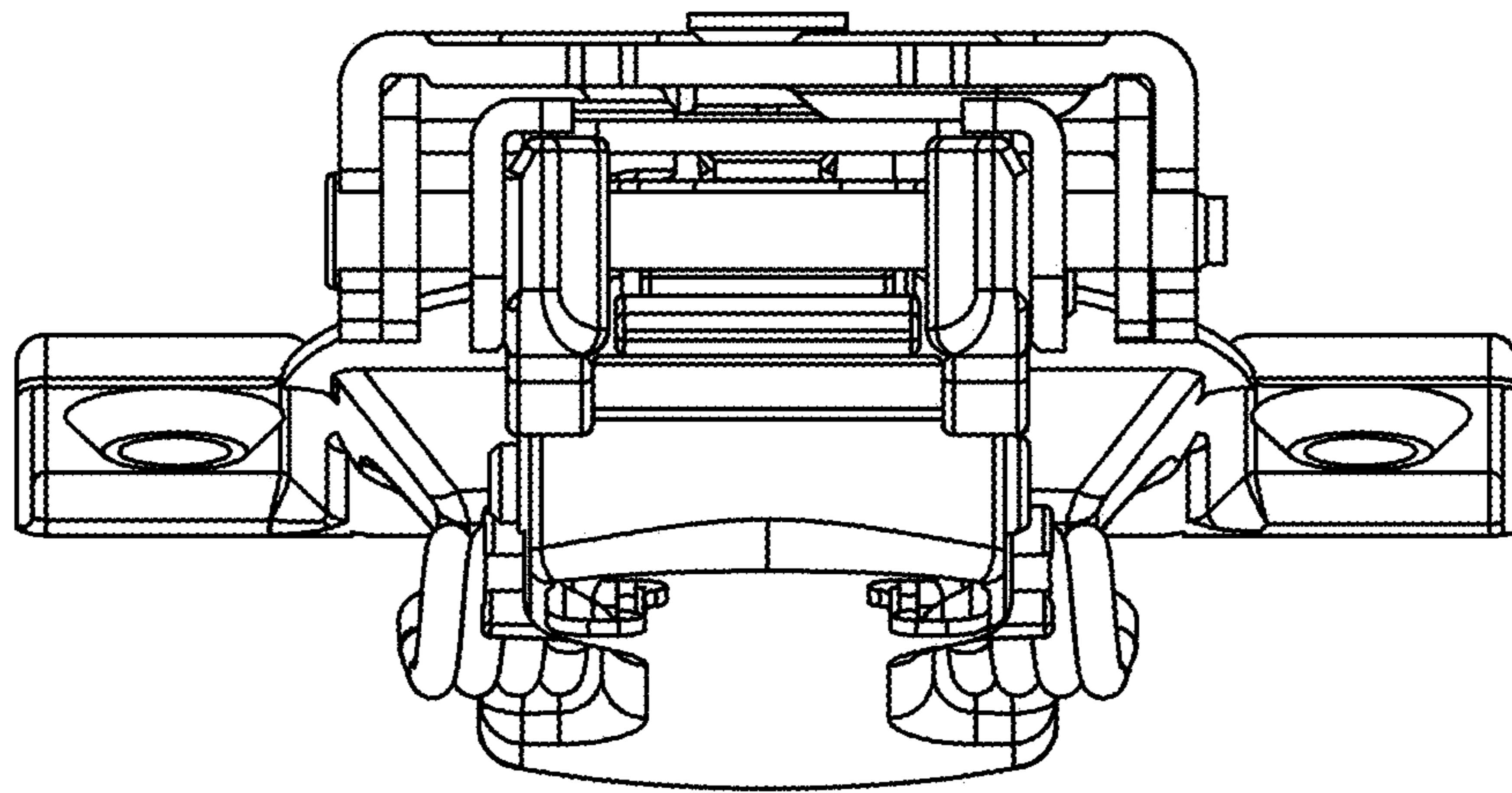


Fig. 7

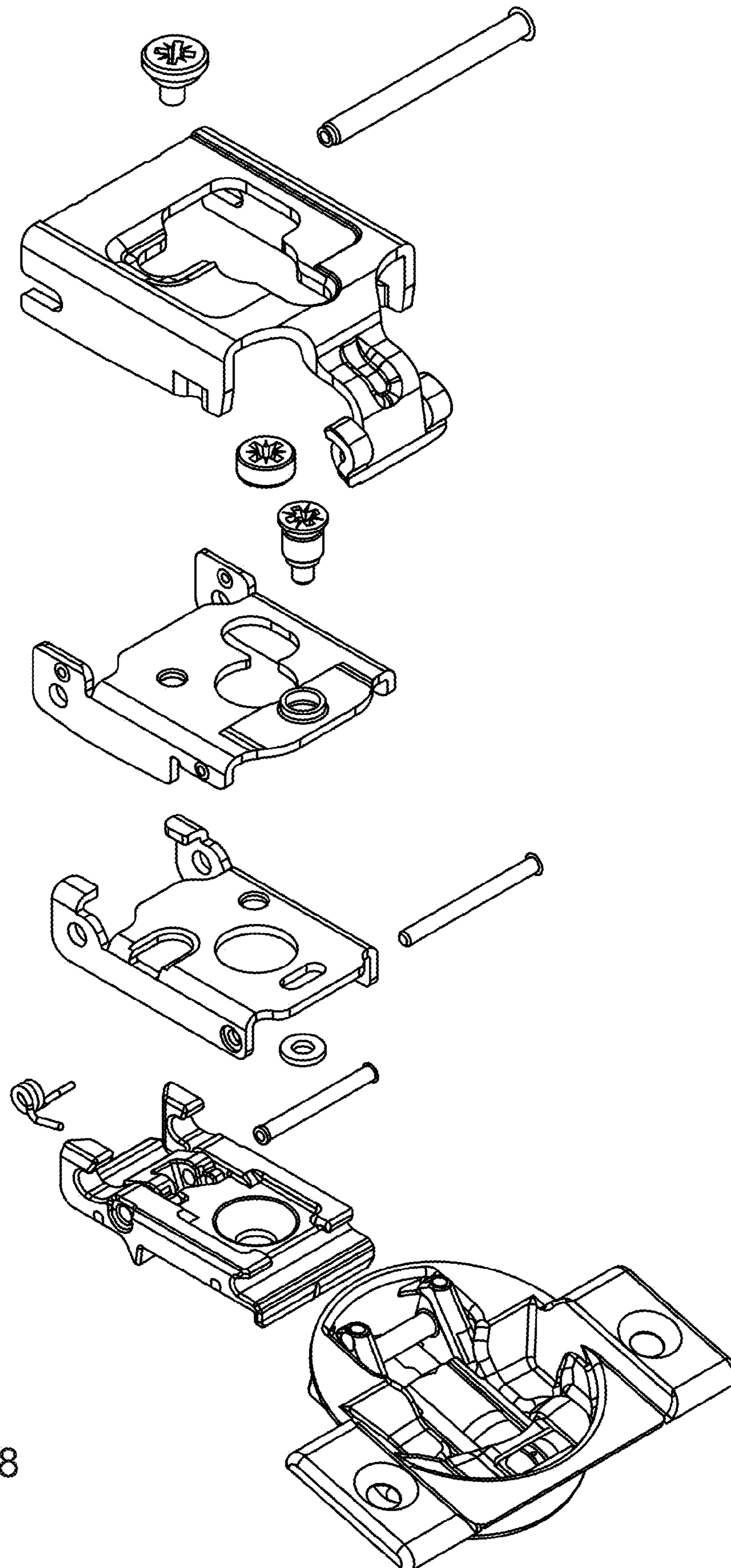


Fig. 8

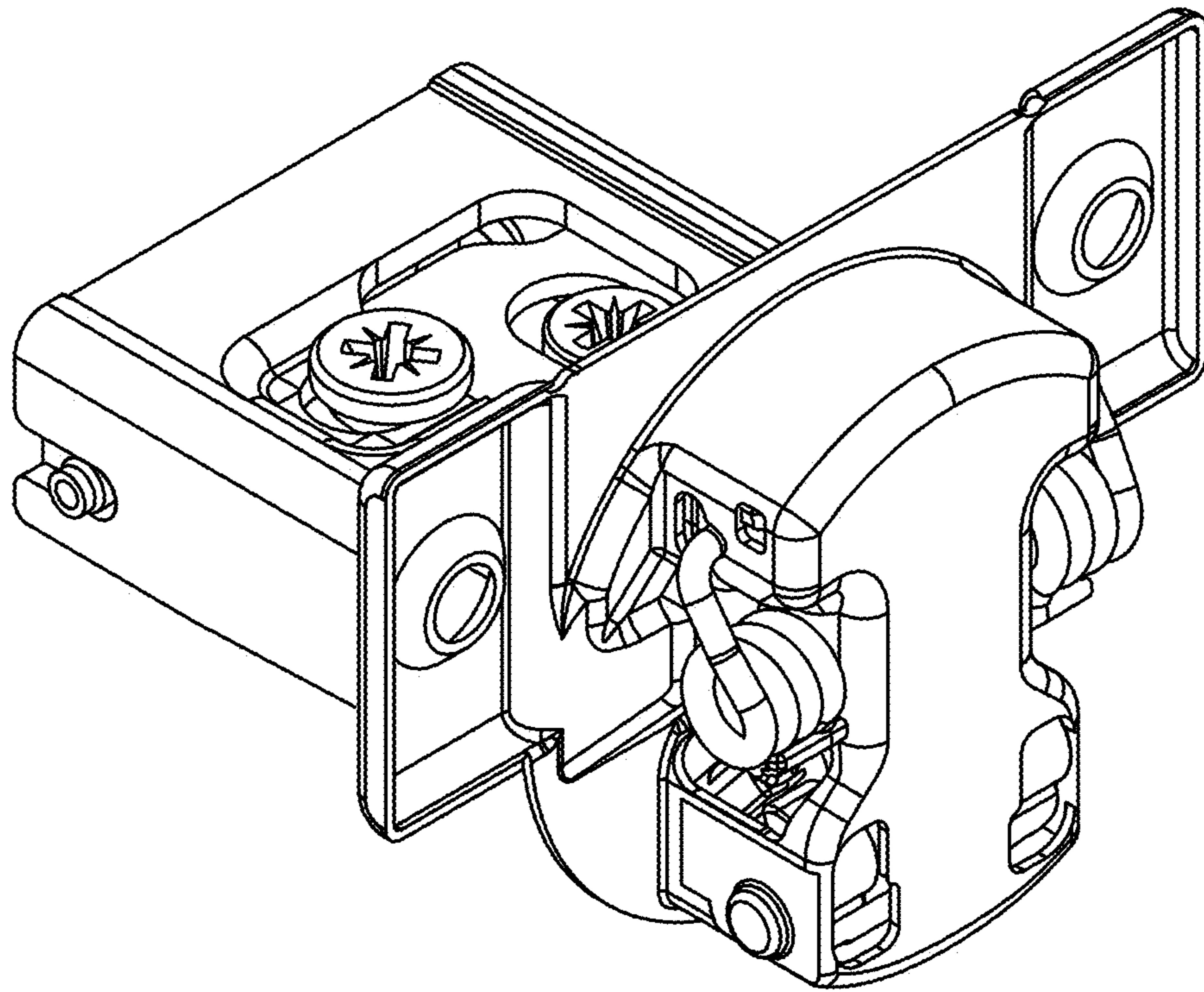


Fig. 9

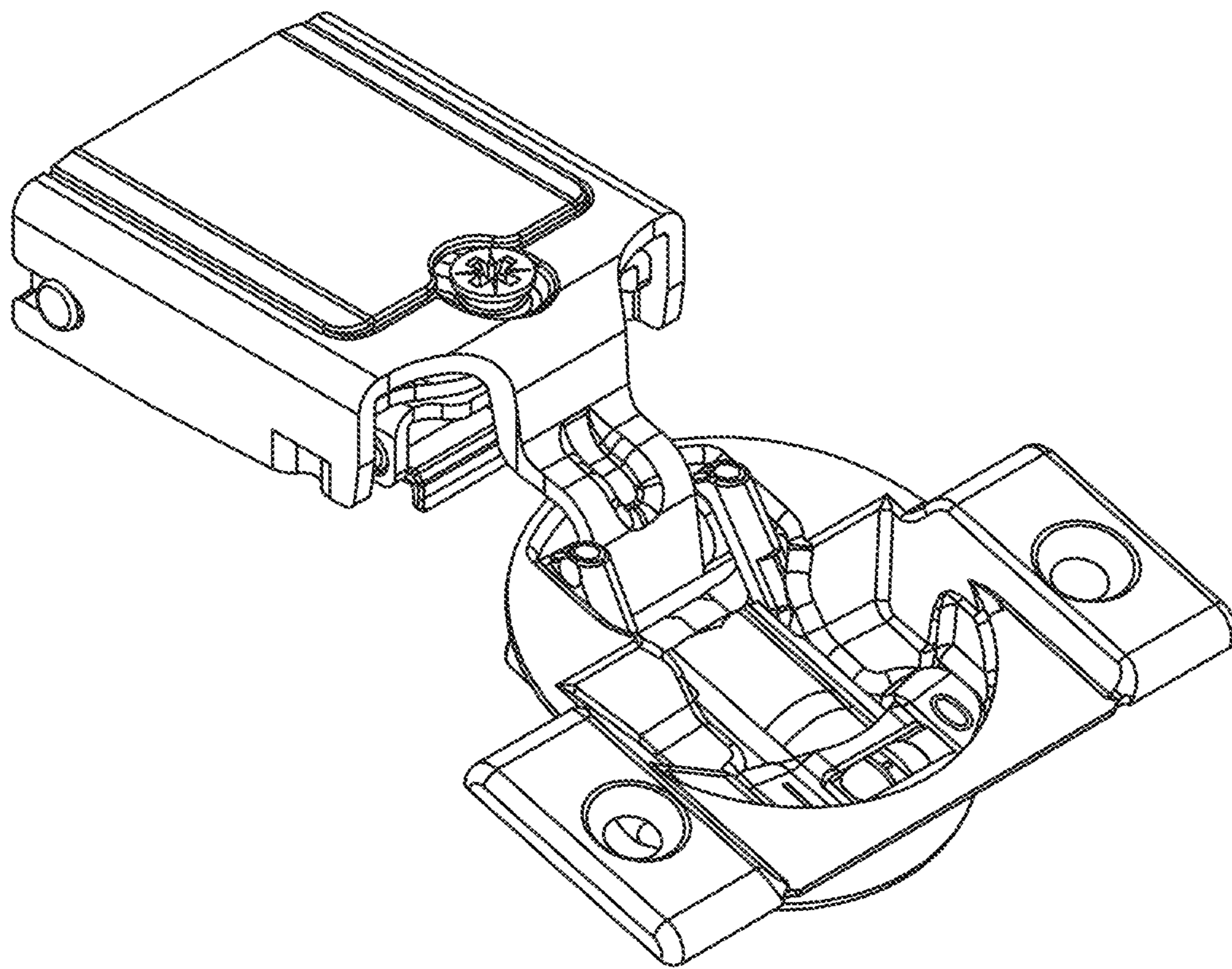


Fig. 10

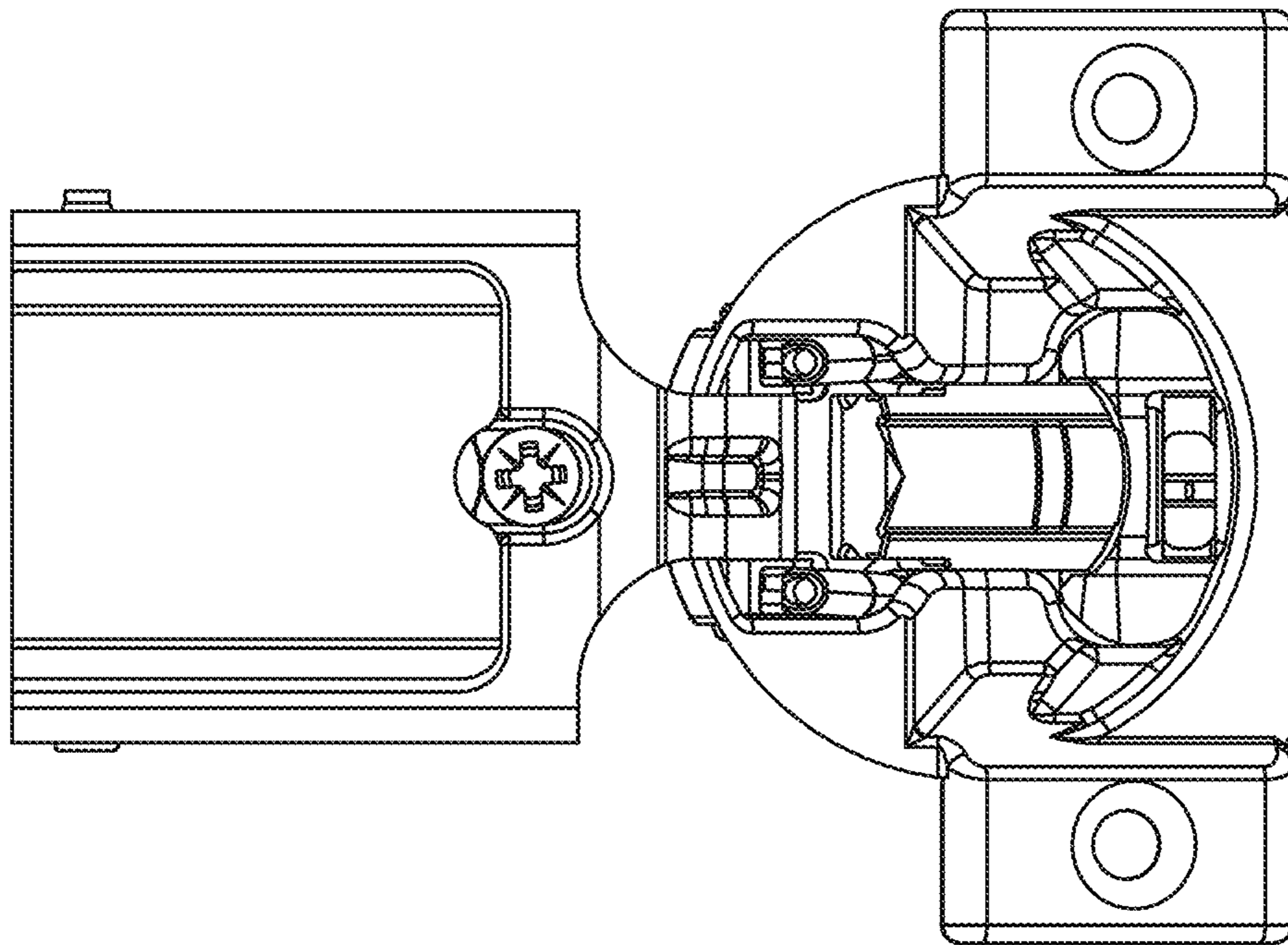


Fig. 11

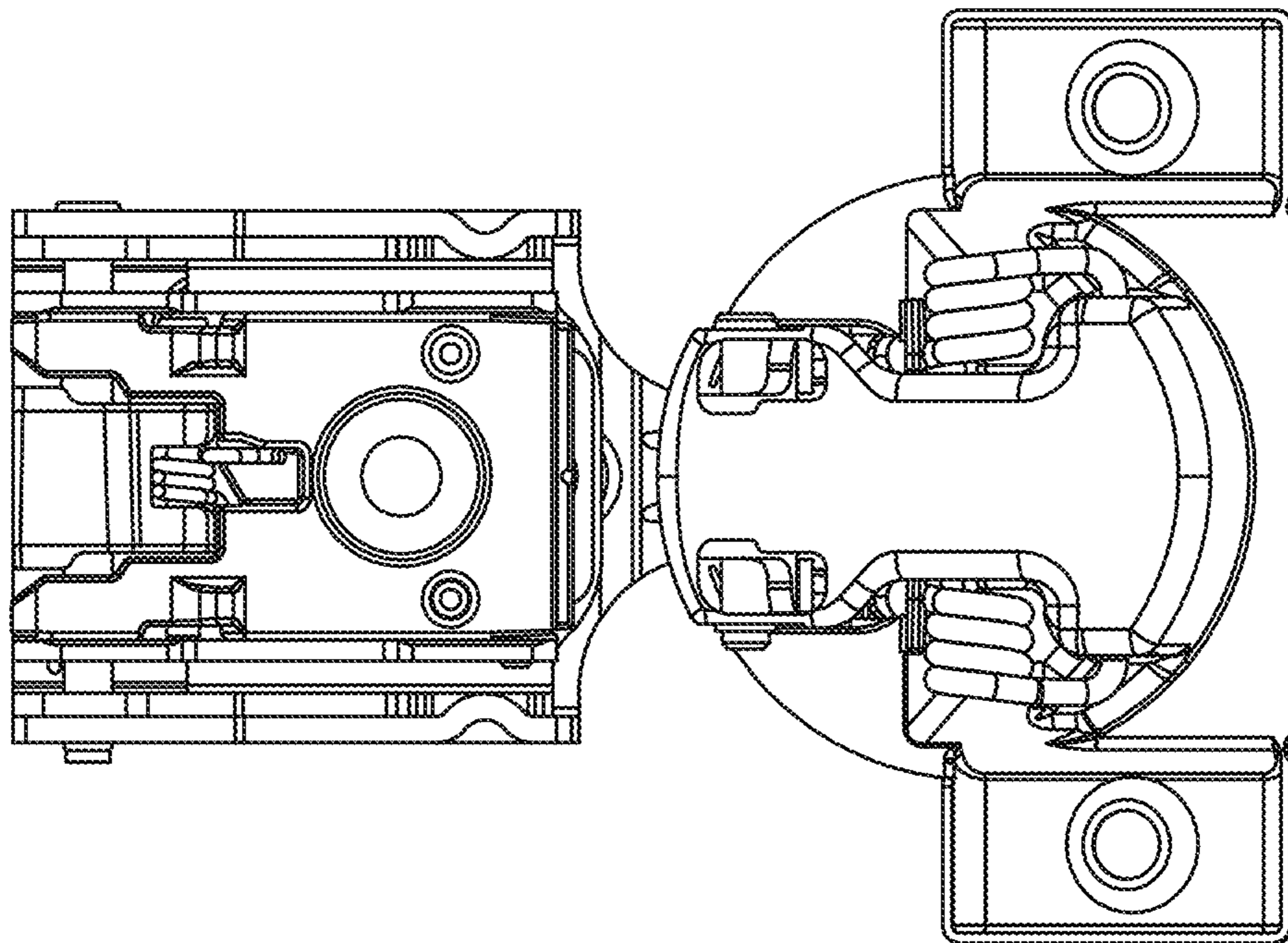


Fig. 12

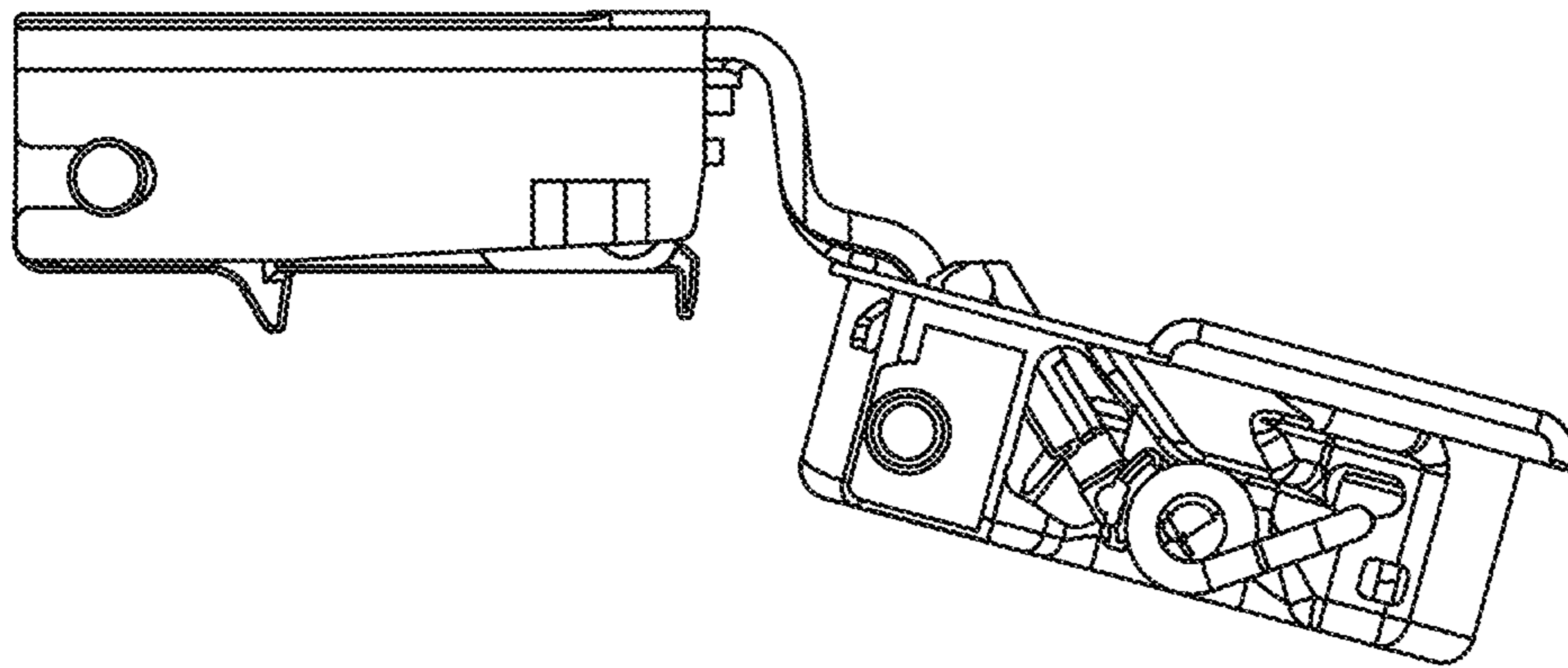


Fig. 13

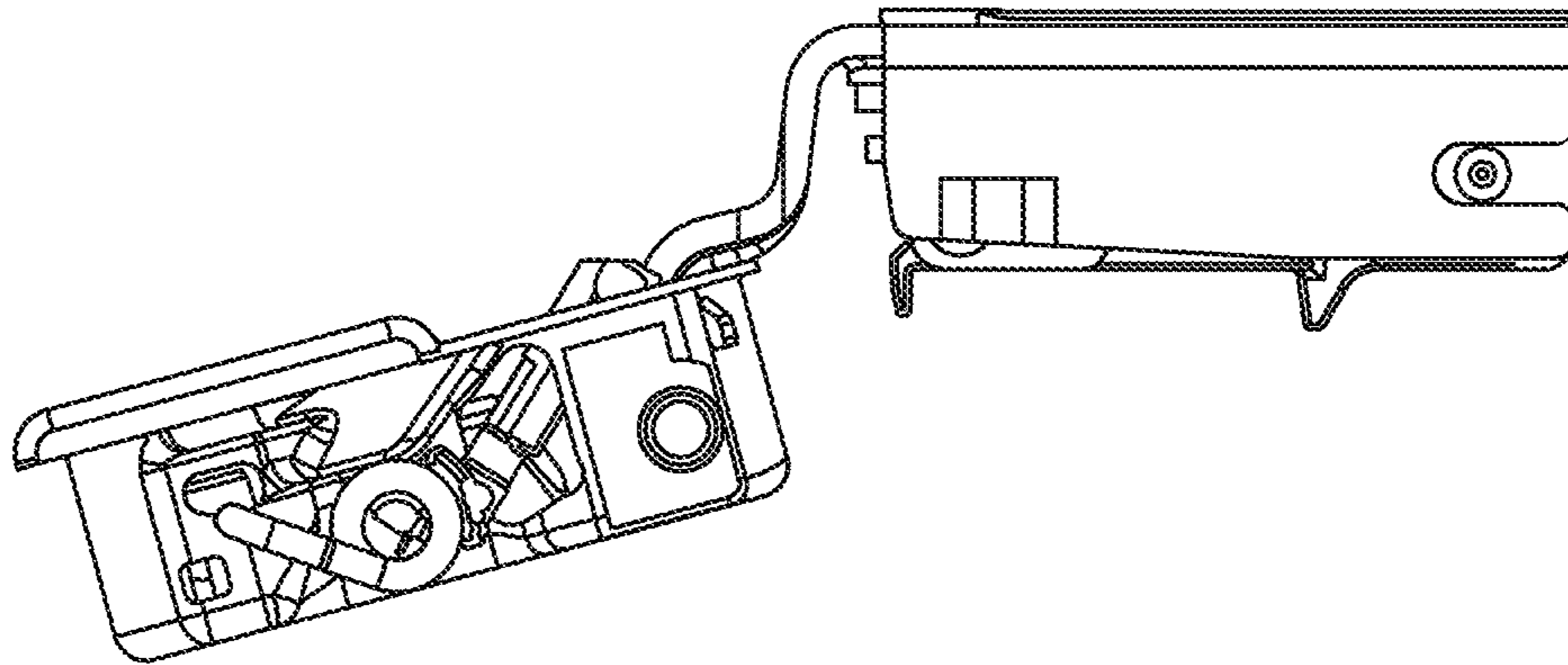


Fig. 14

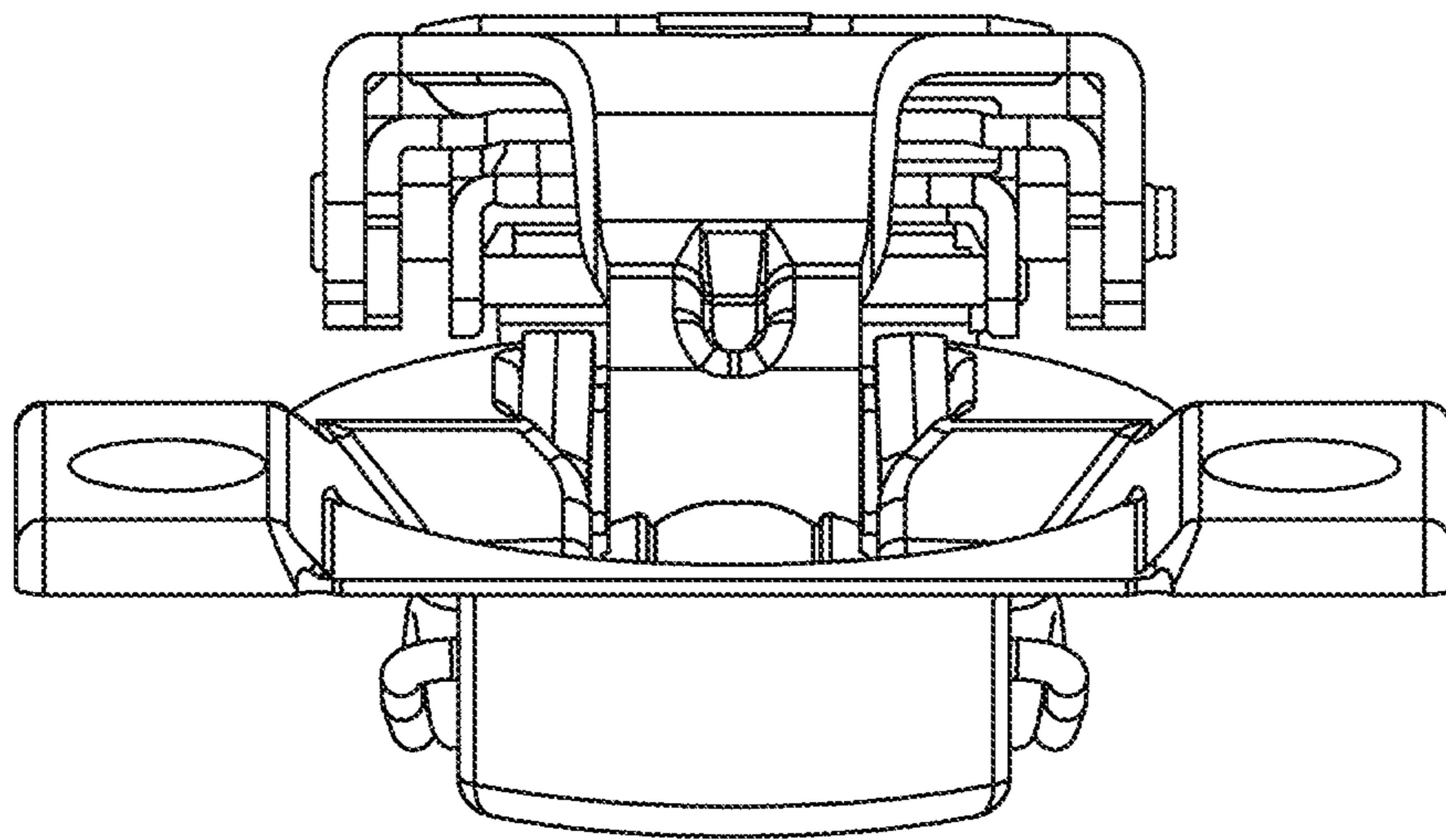


Fig. 15

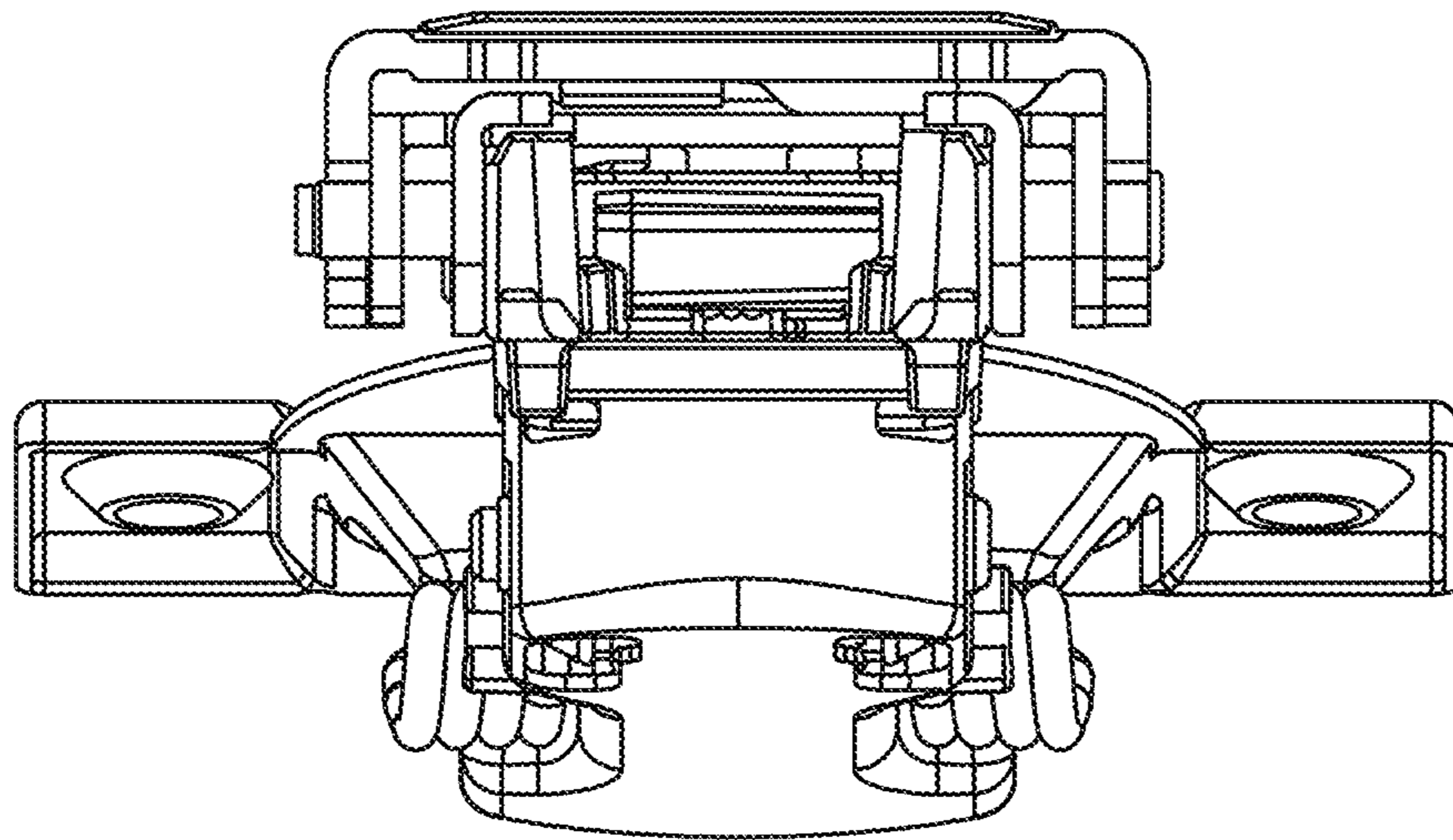


Fig. 16

Fig. 17

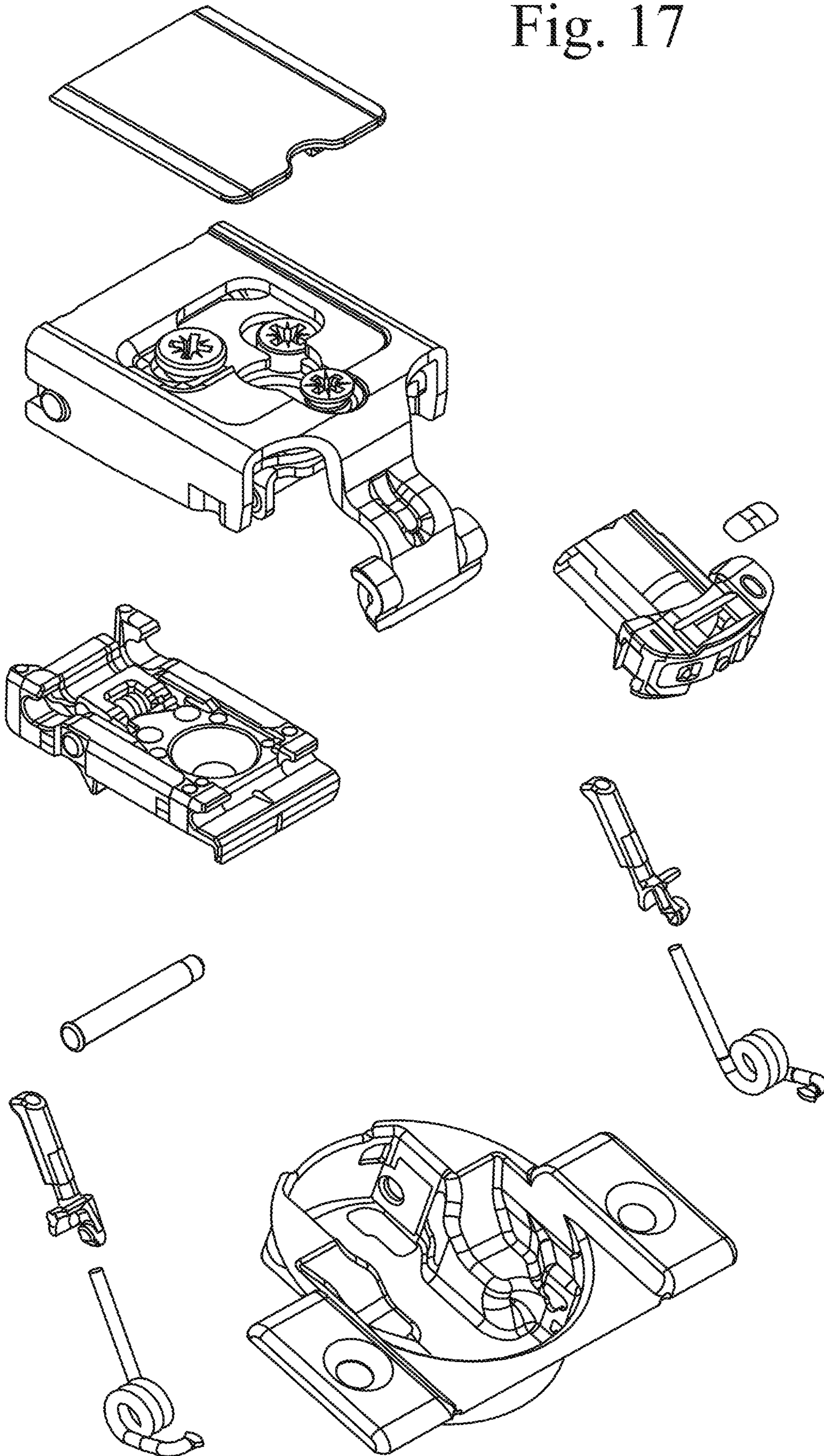


Fig. 18

