

US00D932278S

(12) **United States Design Patent**
Scarlett

(10) **Patent No.:** **US D932,278 S**

(45) **Date of Patent:** **** Oct. 5, 2021**

- (54) **HINGE**
- (71) Applicant: **D & D Group Pty Ltd**, Frenchs Forest (AU)
- (72) Inventor: **James Scarlett**, Springwood (AU)
- (73) Assignee: **D & D Group Pty Ltd**, Frenchs Forest (AU)
- (**) Term: **15 Years**
- (21) Appl. No.: **29/738,216**
- (22) Filed: **Jun. 16, 2020**

- 5,727,289 A * 3/1998 Reder E05F 5/06
16/375
- 5,799,370 A * 9/1998 Davidian E05D 7/0415
16/236
- D436,515 S * 1/2001 Sonntag D8/328
- 6,353,967 B1 * 3/2002 Escobar E05D 3/02
16/331
- D584,130 S * 1/2009 Bertani D8/328
- D635,433 S * 4/2011 Le D8/327
- D644,499 S * 9/2011 Herglotz D8/327
- D653,097 S * 1/2012 Hatano D8/328
- 8,099,834 B2 * 1/2012 Corso E05D 5/12
16/374
- D726,525 S * 4/2015 Kenerly D8/328
- D748,450 S * 2/2016 Ganter D8/323
- 9,416,572 B2 * 8/2016 Tolliver E05D 3/02
- D789,766 S * 6/2017 Todd, Jr. D8/323
- D790,317 S * 6/2017 Christensen D8/323
- D837,027 S * 1/2019 Christensen D8/323
- D842,679 S * 3/2019 Todd, Jr. D8/323
- D859,127 S * 9/2019 Todd, Jr. D8/323

Related U.S. Application Data

- (62) Division of application No. 29/658,241, filed on Jul. 30, 2018, now abandoned.

Foreign Application Priority Data

- May 2, 2018 (AU) 201812606
- (51) **LOC (13) Cl.** **08-06**
- (52) **U.S. Cl.**
USPC **D8/323**
- (58) **Field of Classification Search**
USPC D8/323, 327, 328, 329; 16/250, 251
CPC .. E05D 1/00; E05D 11/06; E05D 5/11; E05D
3/02; A47K 13/12
See application file for complete search history.

References Cited

U.S. PATENT DOCUMENTS

- 3,538,539 A * 11/1970 Allison E05D 11/06
16/375
- 5,265,922 A * 11/1993 Falcone E05C 17/025
16/375

(Continued)

Primary Examiner — Cynthia R Underwood

(74) *Attorney, Agent, or Firm* — Kelly & Kelley, LLP

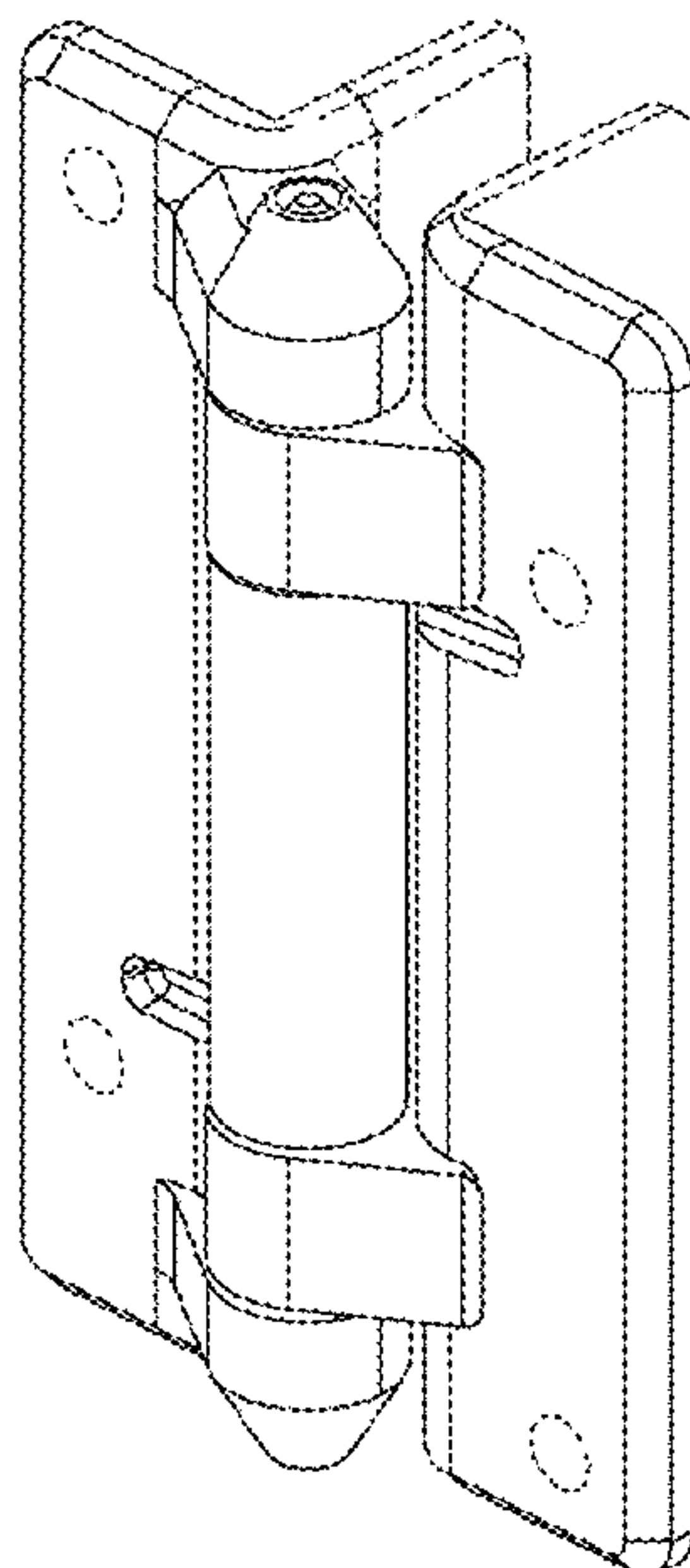
CLAIM

(57) The ornamental design for a hinge, as shown.

DESCRIPTION

FIG. 1 is a perspective view of a hinge embodying my new design;
 FIG. 2 is a bottom view thereof;
 FIG. 3 is a top plan view thereof;
 FIG. 4 is a front view thereof;
 FIG. 5 is a rear view thereof;
 FIG. 6 is a right side view thereof; and,
 FIG. 7 is a left side view thereof.
 The dotted circular lines show typical areas where apertures are provided for mounting the hinge. The broken lines depict portions of the hinge that form no part of the claim.

1 Claim, 7 Drawing Sheets



(56)

References Cited

U.S. PATENT DOCUMENTS

10,753,132	B2 *	8/2020	Roberts	E05D 3/02
11,053,722	B2 *	7/2021	Teta	E05F 1/1207
2009/0151124	A1 *	6/2009	Forrest	E05D 5/14
				16/374
2012/0240354	A1 *	9/2012	Heninger	E05D 11/06
				16/374
2013/0104345	A1 *	5/2013	Granberry	E05D 11/06
				16/374
2013/0219664	A1 *	8/2013	Burda	E05D 11/06
				16/374

* cited by examiner

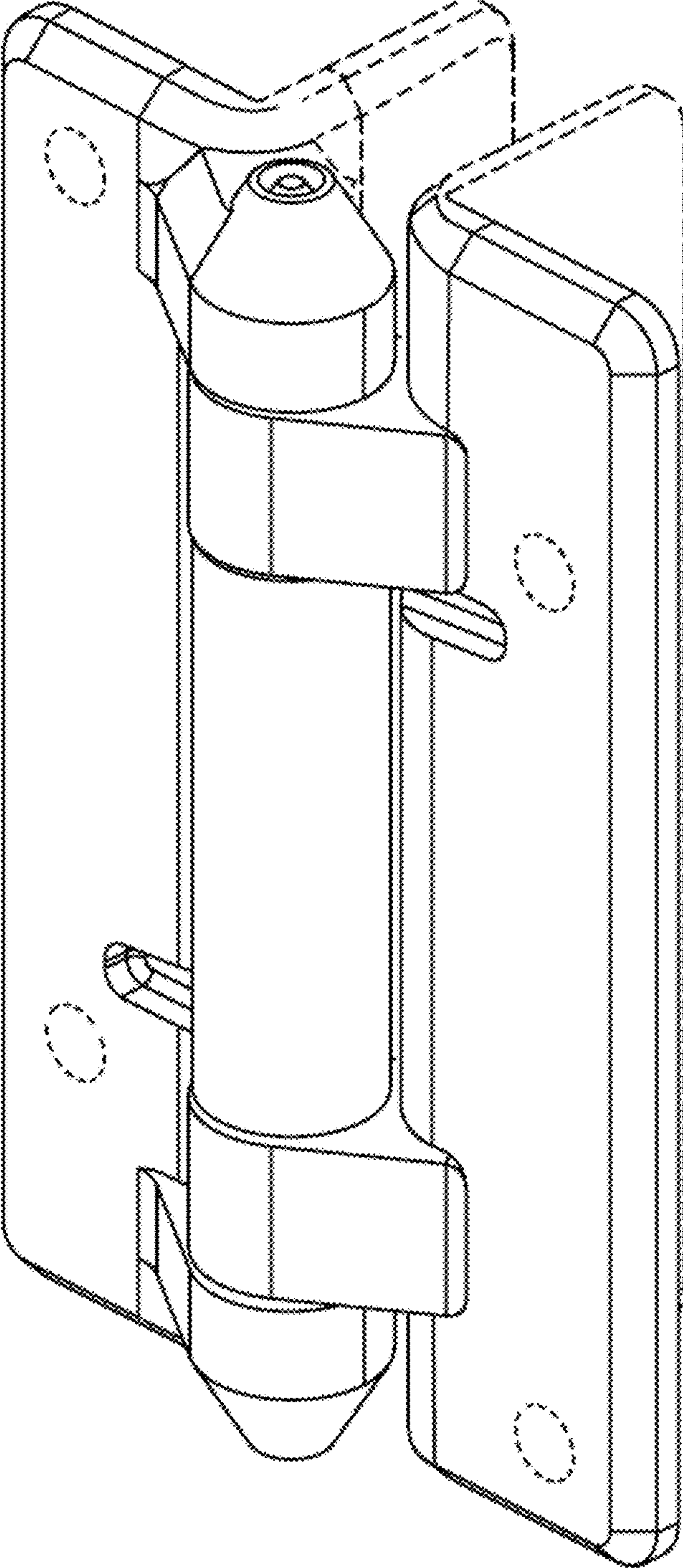


Fig. 1

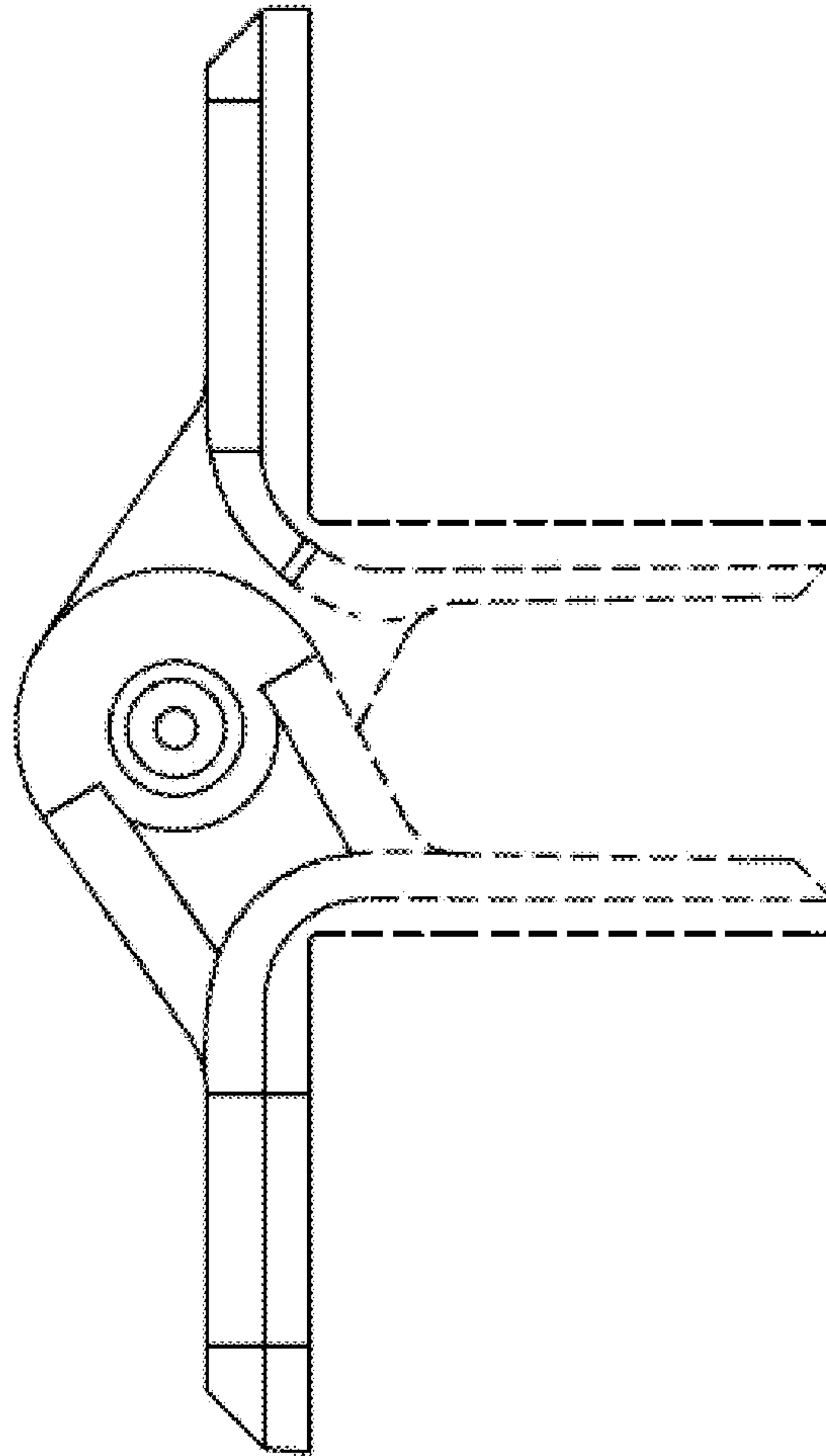


Fig. 2

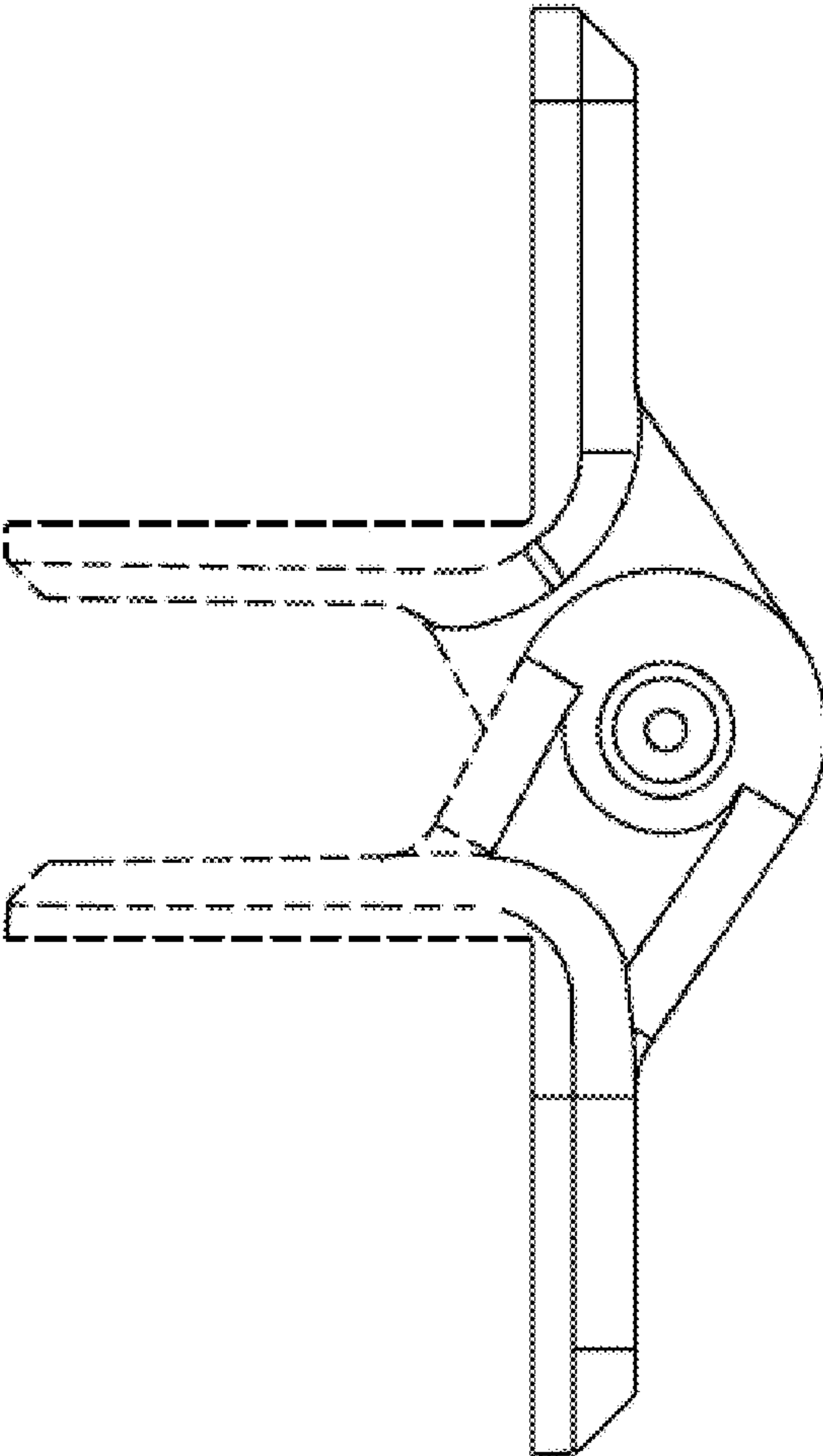


Fig. 3

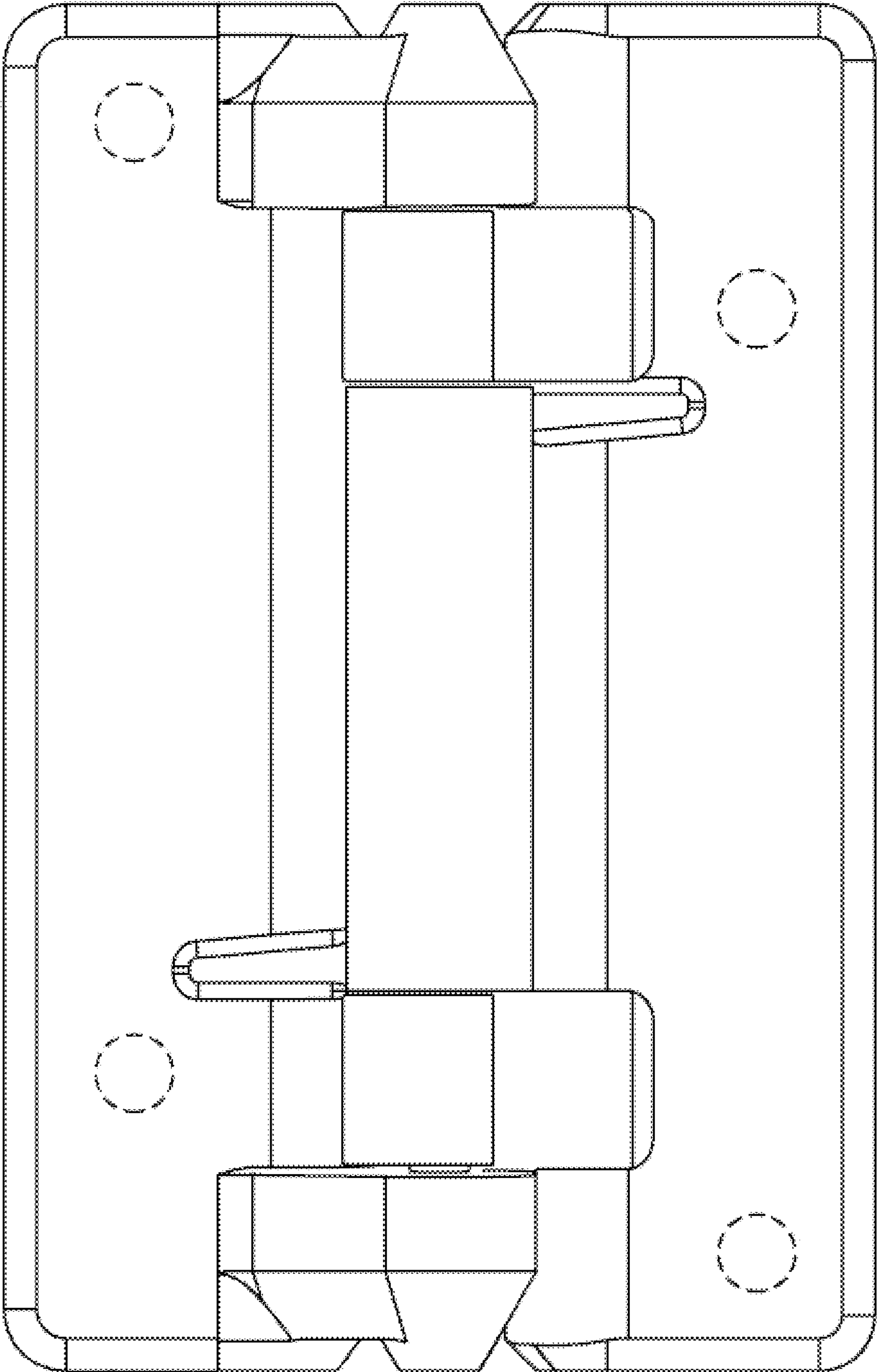


Fig. 4

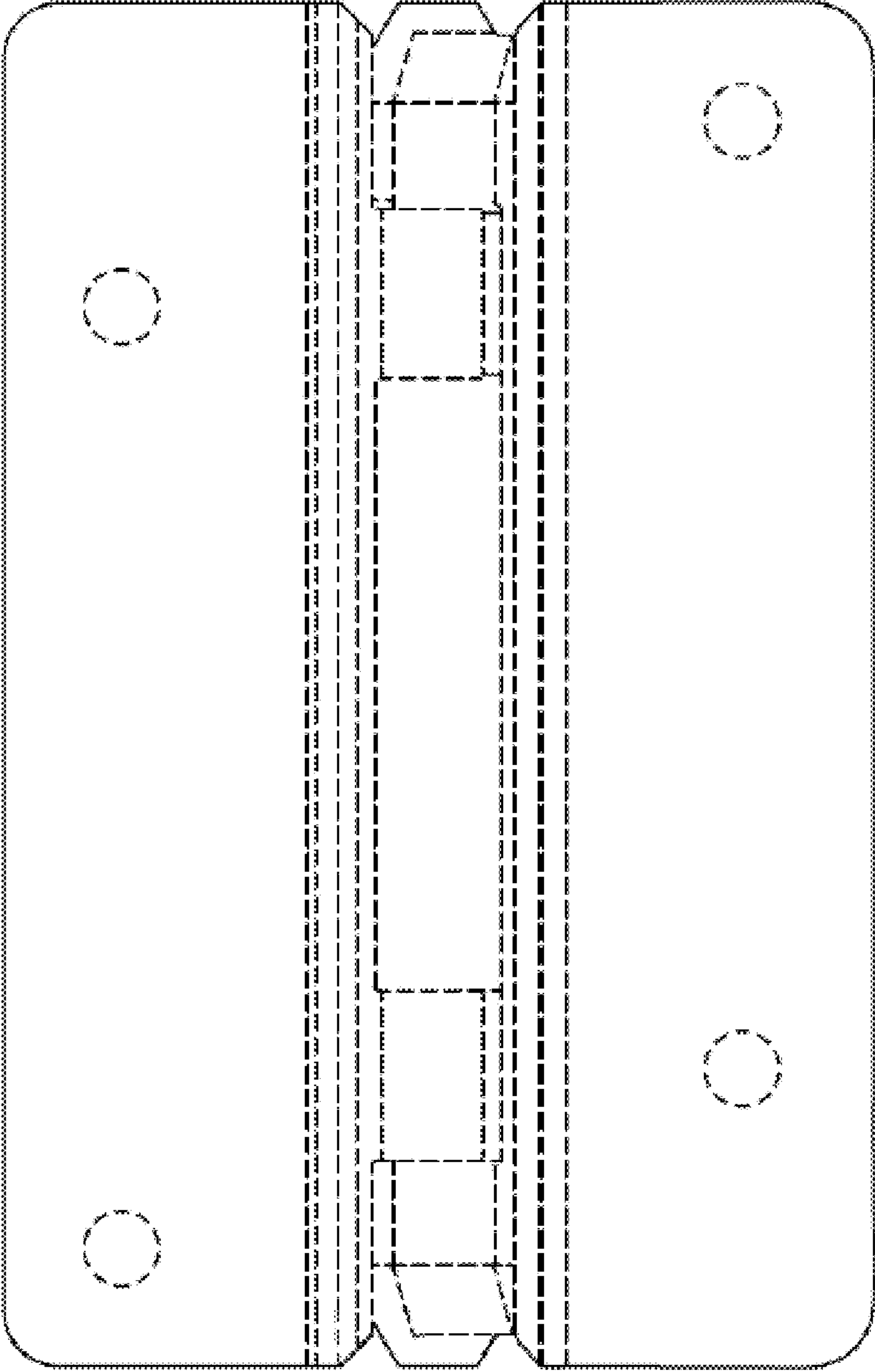


Fig. 5

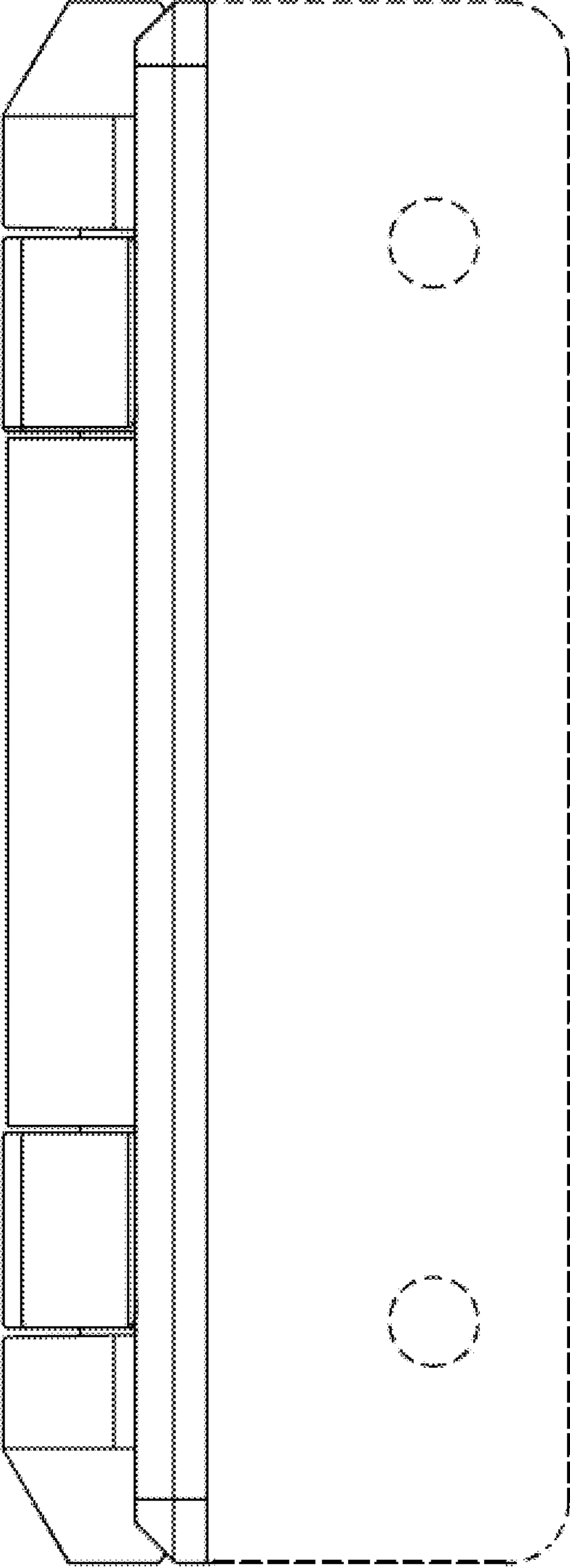


Fig. 6

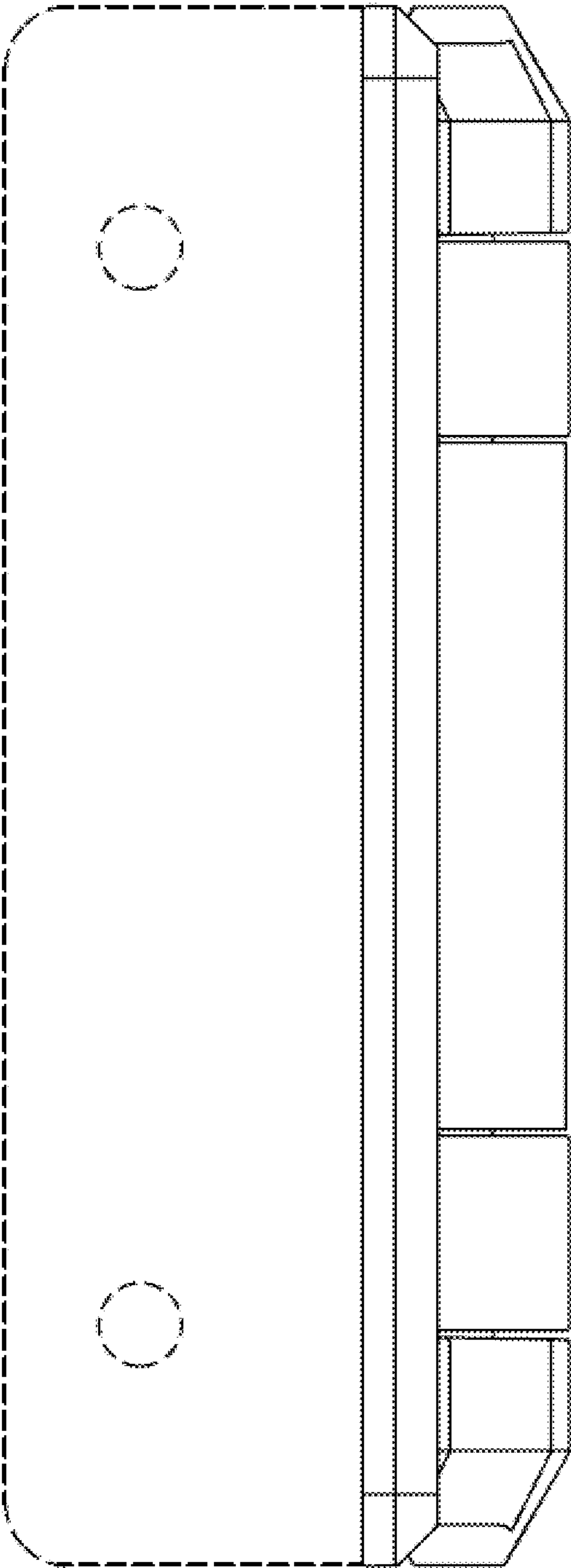


Fig. 7