



US00D932274S

(12) **United States Design Patent** (10) **Patent No.:** **US D932,274 S**
Chen (45) **Date of Patent:** **** Oct. 5, 2021**

(54) **TOOL BIT**
(71) Applicant: **JEI MOU INDUSTRIAL CO., LTD.,**
Taichung (TW)
(72) Inventor: **Po-Shen Chen,** Taichung (TW)
(73) Assignee: **JeI Mou Industrial Co., Ltd.,** Taichung
(TW)
(**) Term: **15 Years**
(21) Appl. No.: **29/719,021**
(22) Filed: **Dec. 31, 2019**
(51) **LOC (13) Cl.** **08-04**
(52) **U.S. Cl.**
USPC **D8/86**
(58) **Field of Classification Search**
USPC D8/70, 82, 85, 86, 87, 105
CPC ... B25B 15/001; B25B 15/002; B25B 15/004;
B25B 15/005; B25B 15/007; B25B 15/06;
B25B 15/04
See application file for complete search history.

(56) **References Cited**
U.S. PATENT DOCUMENTS
2,330,954 A * 10/1943 Cotera B43L 19/00
15/424
2,646,687 A * 7/1953 De Wald F16H 25/122
74/127
2,947,334 A * 8/1960 Issartel B25B 15/06
74/127
4,306,599 A * 12/1981 Kurahashi B25B 15/06
74/127
5,024,565 A * 6/1991 Pinand B23B 45/06
408/121
5,868,047 A * 2/1999 Faust B25B 15/00
81/438
D600,525 S * 9/2009 Meng D8/86
D631,723 S * 2/2011 DeBaker D8/86

7,946,198 B2 * 5/2011 Gui B25B 15/04
81/58.1
D644,903 S * 9/2011 Chen D8/86
D646,138 S * 10/2011 Hsu D8/86
D707,524 S * 6/2014 Chen D8/86
D716,630 S * 11/2014 Lin D8/86
D725,984 S * 4/2015 Moss D8/86
D726,521 S * 4/2015 Moss D8/86
D752,408 S * 3/2016 Moss D8/86
D764,251 S * 8/2016 Hsu D8/86
D770,876 S * 11/2016 Chen D8/86
D807,158 S * 1/2018 Wu D8/382
10,022,845 B2 * 7/2018 Neitzell B25B 15/002
D829,075 S * 9/2018 Hsu D8/86
10,150,205 B2 * 12/2018 Santamarina B25B 23/0035
D841,425 S * 2/2019 Moss D8/86
D867,093 S * 11/2019 Taguchi D8/86
D883,062 S * 5/2020 Wu D8/86
D906,081 S * 12/2020 Van Essen D8/86

(Continued)

Primary Examiner — Philip S Hyder
(74) *Attorney, Agent, or Firm* — Alan D. Kamrath; Karin
L. Williams; Mayer & Williams PC

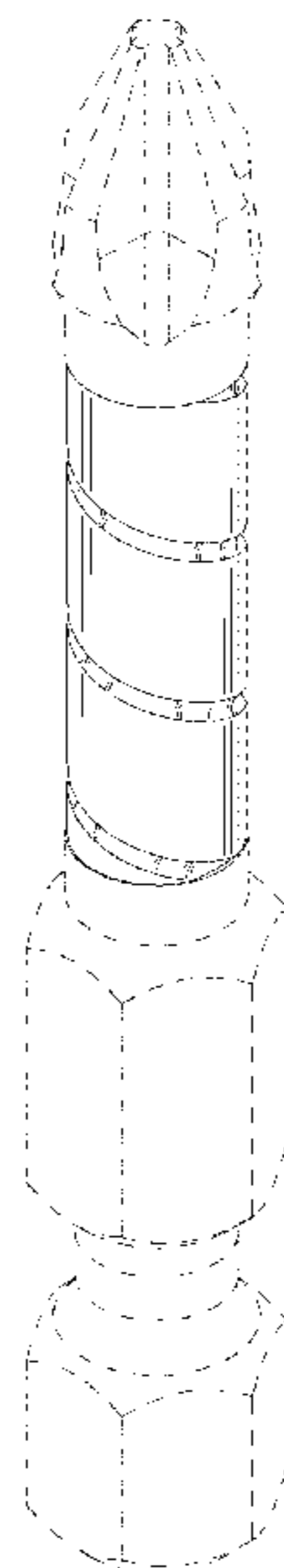
(57) **CLAIM**

The ornamental design for a tool bit, as shown and described.

DESCRIPTION

FIG. 1 is a perspective view of a tool bit showing my new design;
FIG. 2 is a front view thereof;
FIG. 3 is a rear view thereof;
FIG. 4 is a left view thereof;
FIG. 5 is a right view thereof;
FIG. 6 is a top view thereof; and,
FIG. 7 is a bottom view thereof.
The broken lines depict portions of the tool bit in which the design is embodied that are not considered part of the claimed design.

1 Claim, 7 Drawing Sheets



(56)

References Cited

U.S. PATENT DOCUMENTS

2010/0298838 A1* 11/2010 Walters E04G 1/24
606/104
2011/0197721 A1* 8/2011 DeBaker B23P 15/00
81/436
2016/0325411 A1* 11/2016 Wang B25B 15/001

* cited by examiner

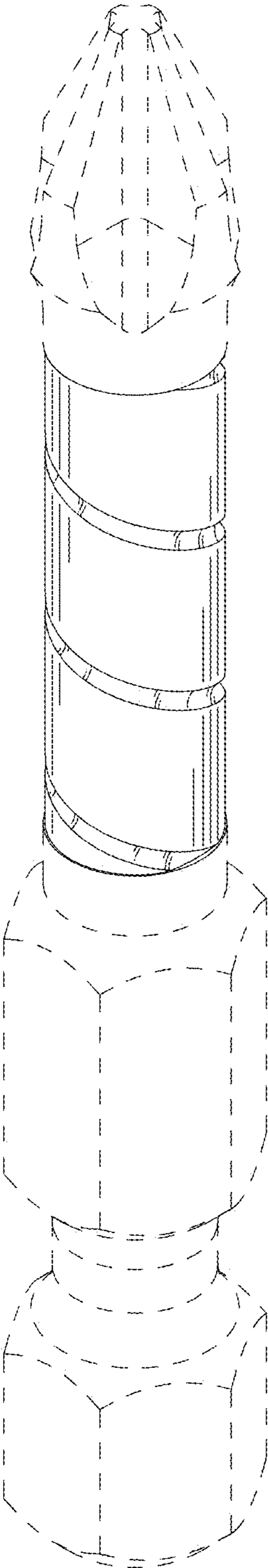


FIG. 1

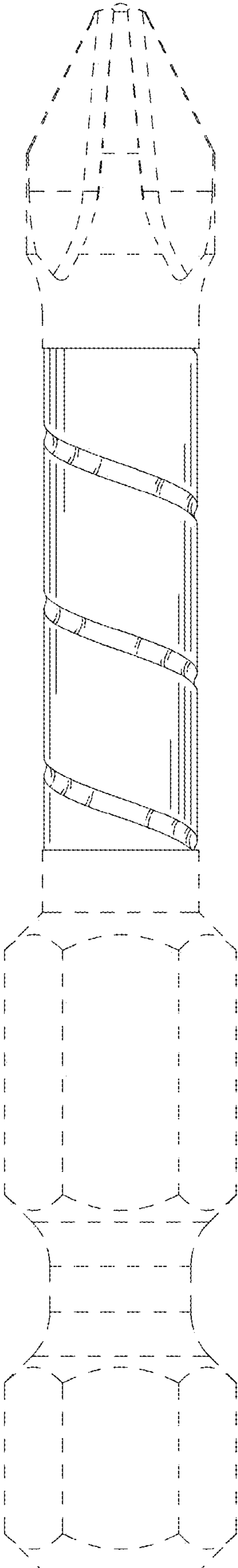


FIG. 2

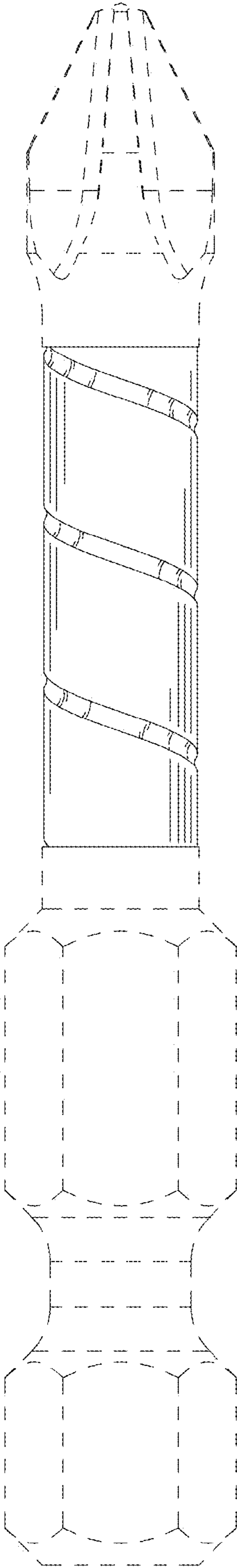


FIG. 3

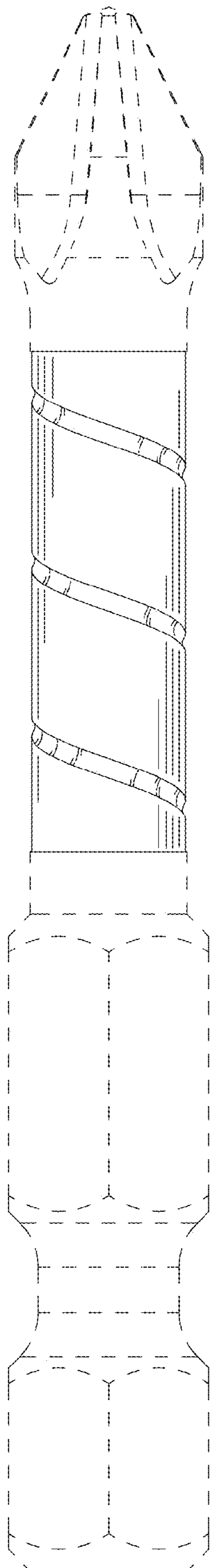


FIG. 4

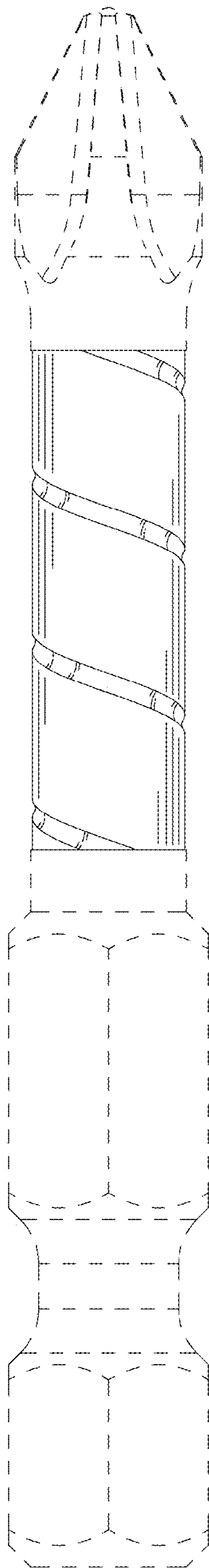


FIG. 5

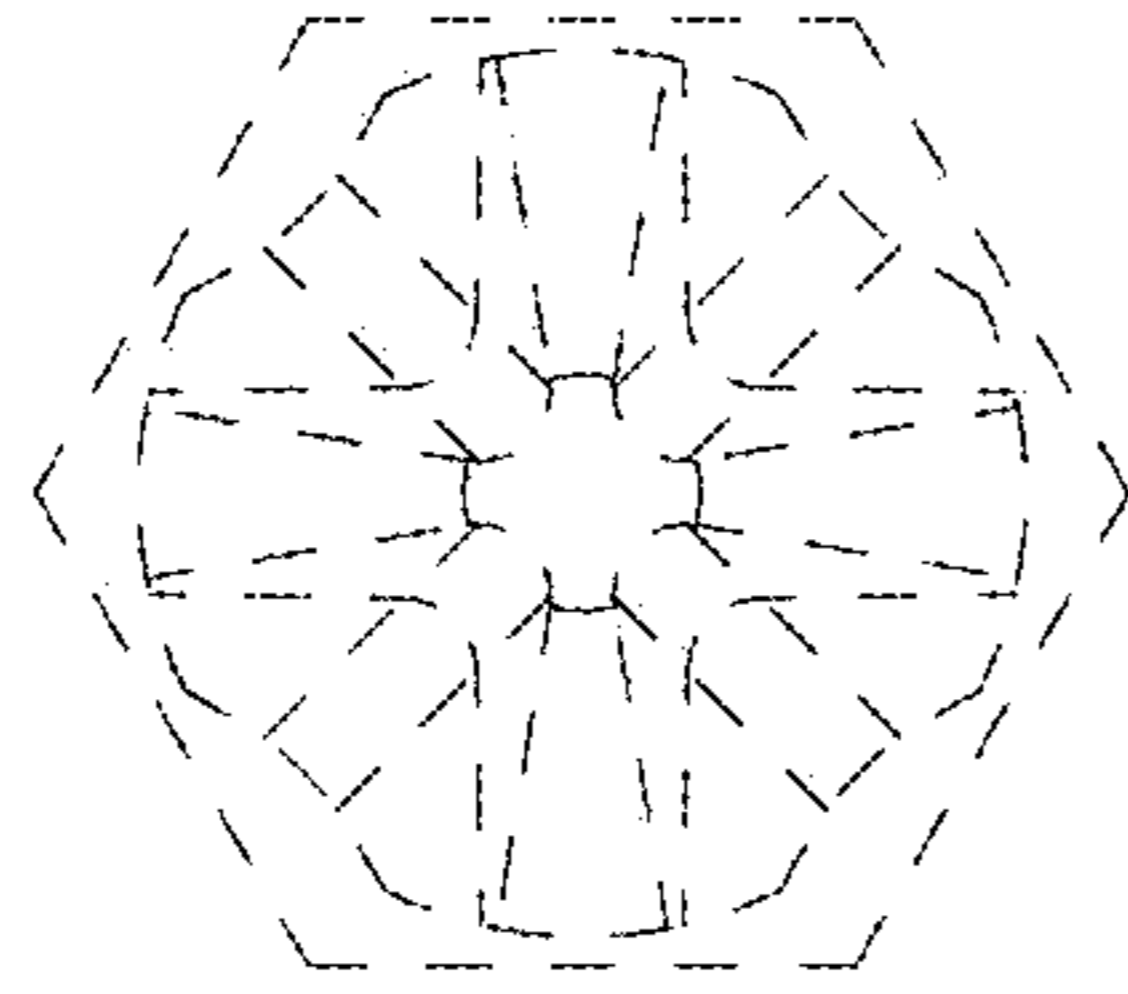


FIG. 6

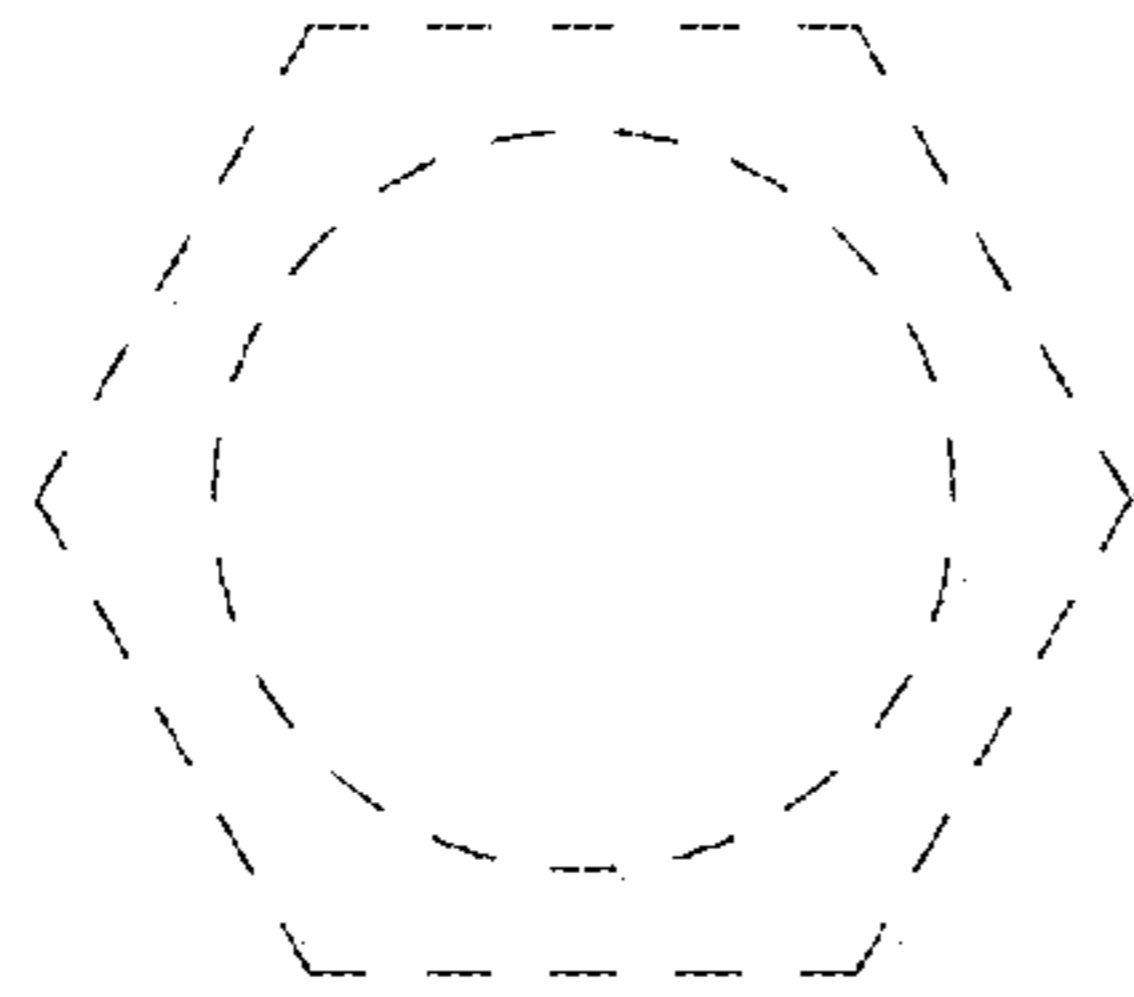


FIG. 7