



US00D932273S

(12) **United States Design Patent** (10) **Patent No.:** **US D932,273 S**
Huang (45) **Date of Patent:** **** Oct. 5, 2021**

(54) **HAND TOOL** D628,867 S * 12/2010 Kamigaki B25B 23/0035
D8/26
(71) Applicant: **SUPER B PRECISION TOOLS CO., LTD**, Changhua County (TW) D635,419 S * 4/2011 Chen D8/25
D660,665 S * 5/2012 Hsu D8/25
D674,265 S * 1/2013 Greer D8/85
D744,796 S * 12/2015 Hsieh D8/25
(72) Inventor: **Hung-Chen Huang**, Changhua County (TW) 2003/0188605 A1 * 10/2003 Chang B25G 1/066
81/60
2007/0131066 A1 * 6/2007 Burwell B25B 13/56
81/124.4
(73) Assignee: **SUPER B PRECISION TOOLS CO., LTD**, Changhua County (TW) 2011/0030146 A1 * 2/2011 Wu B25G 1/085
7/138
2014/0030146 A1 * 1/2014 Takeuchi B01D 63/026
422/46

(21) Appl. No.: **29/732,615**

(22) Filed: **Apr. 27, 2020**

(51) **LOC (13) Cl.** **08-04**

(52) **U.S. Cl.**
USPC **D8/85**

(58) **Field of Classification Search**
USPC D8/14, 25, 29, 82, 83, 84, 85, 105
CPC B25G 1/085; B25G 15/02; B25G 23/16;
B25B 13/465; B25B 13/06; B25B 13/463;
B25B 15/00; B25B 15/02
See application file for complete search history.

(56) **References Cited**

U.S. PATENT DOCUMENTS

5,186,083 A * 2/1993 Hsiao B25B 13/06
81/124.4
D344,664 S * 3/1994 Malkinson D8/85
5,365,811 A * 11/1994 Chi A63C 3/00
7/165
5,713,252 A * 2/1998 Iwinski B25B 15/008
81/125.1
7,305,907 B2 * 12/2007 Burwell B25B 13/56
81/177.2
7,441,481 B2 * 10/2008 Liu B25B 13/463
81/124.4

* cited by examiner

Primary Examiner — Philip S Hyder
(74) *Attorney, Agent, or Firm* — Bruce Stone LLP;
Joseph A. Bruce

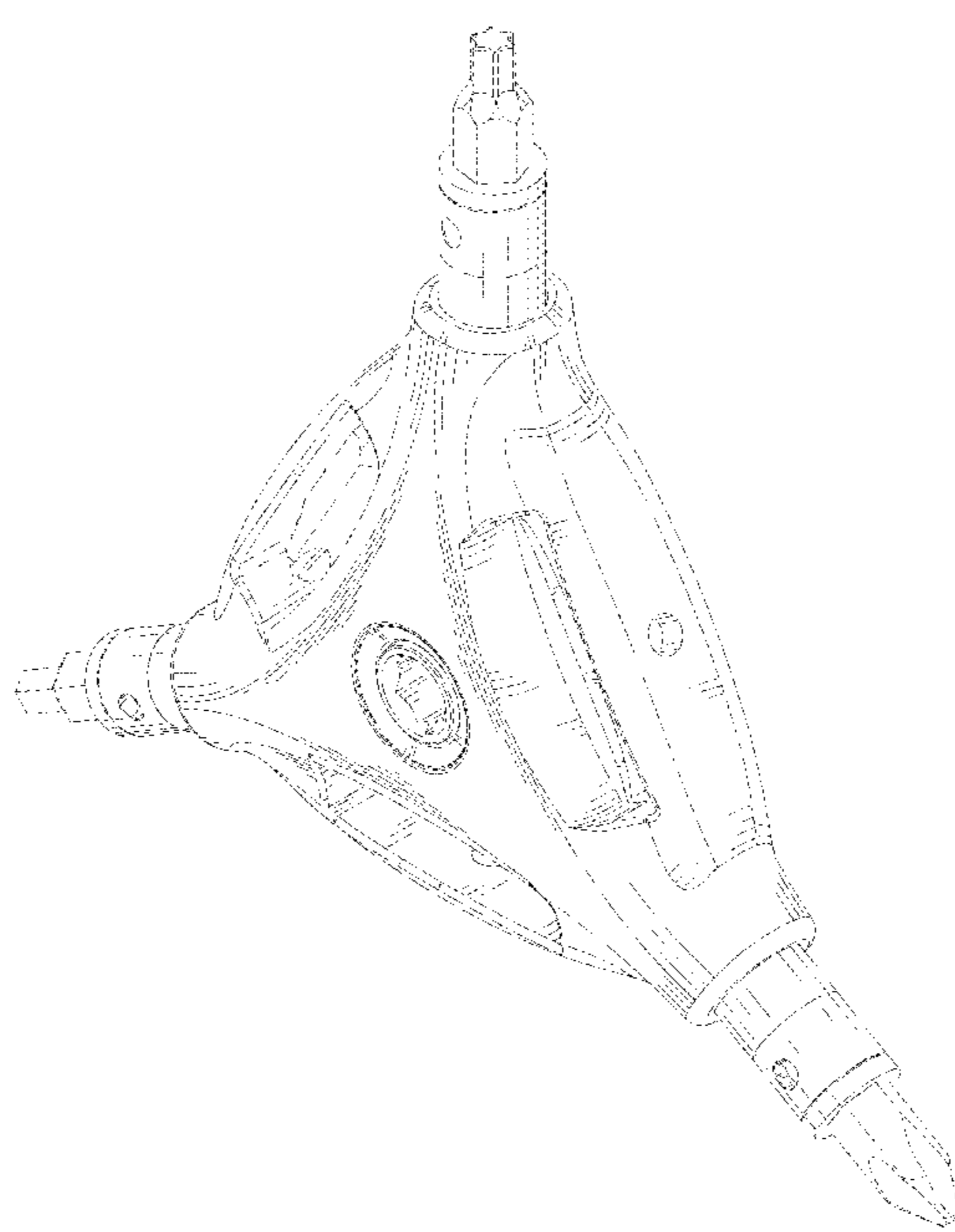
(57) **CLAIM**

The ornamental design for a hand tool, as shown and described.

DESCRIPTION

FIG. 1 is a perspective view of a hand tool showing my new design;
FIG. 2 is a front view thereof;
FIG. 3 is a rear view thereof;
FIG. 4 is a left side view thereof;
FIG. 5 is a right side view thereof;
FIG. 6 is a top plan view thereof;
FIG. 7 is a bottom plan view thereof; and,
FIG. 8 is a perspective view thereof shown in use.
The broken lines in the drawings represent unclaimed environment only and form no part of claimed design.

1 Claim, 7 Drawing Sheets



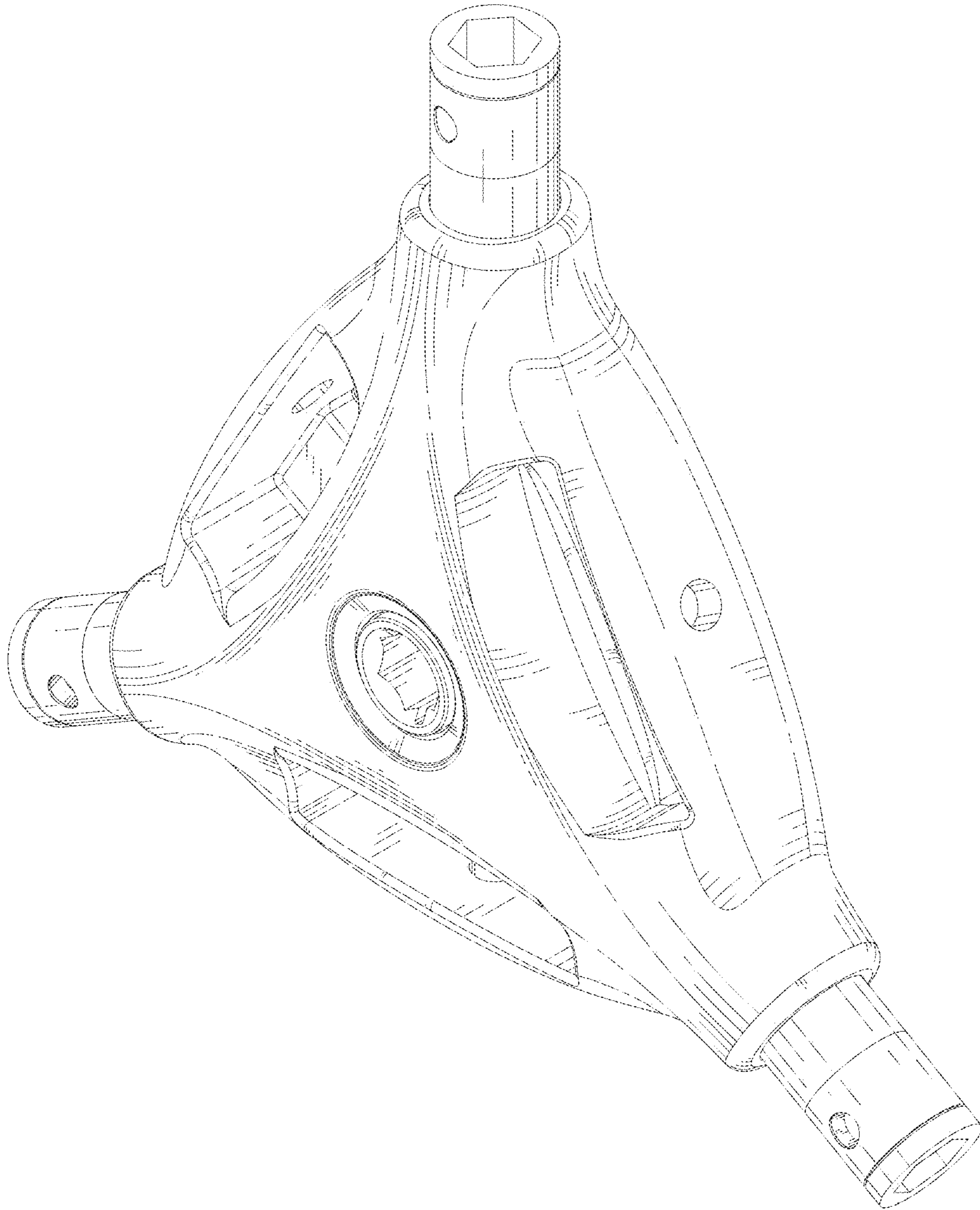


FIG.1

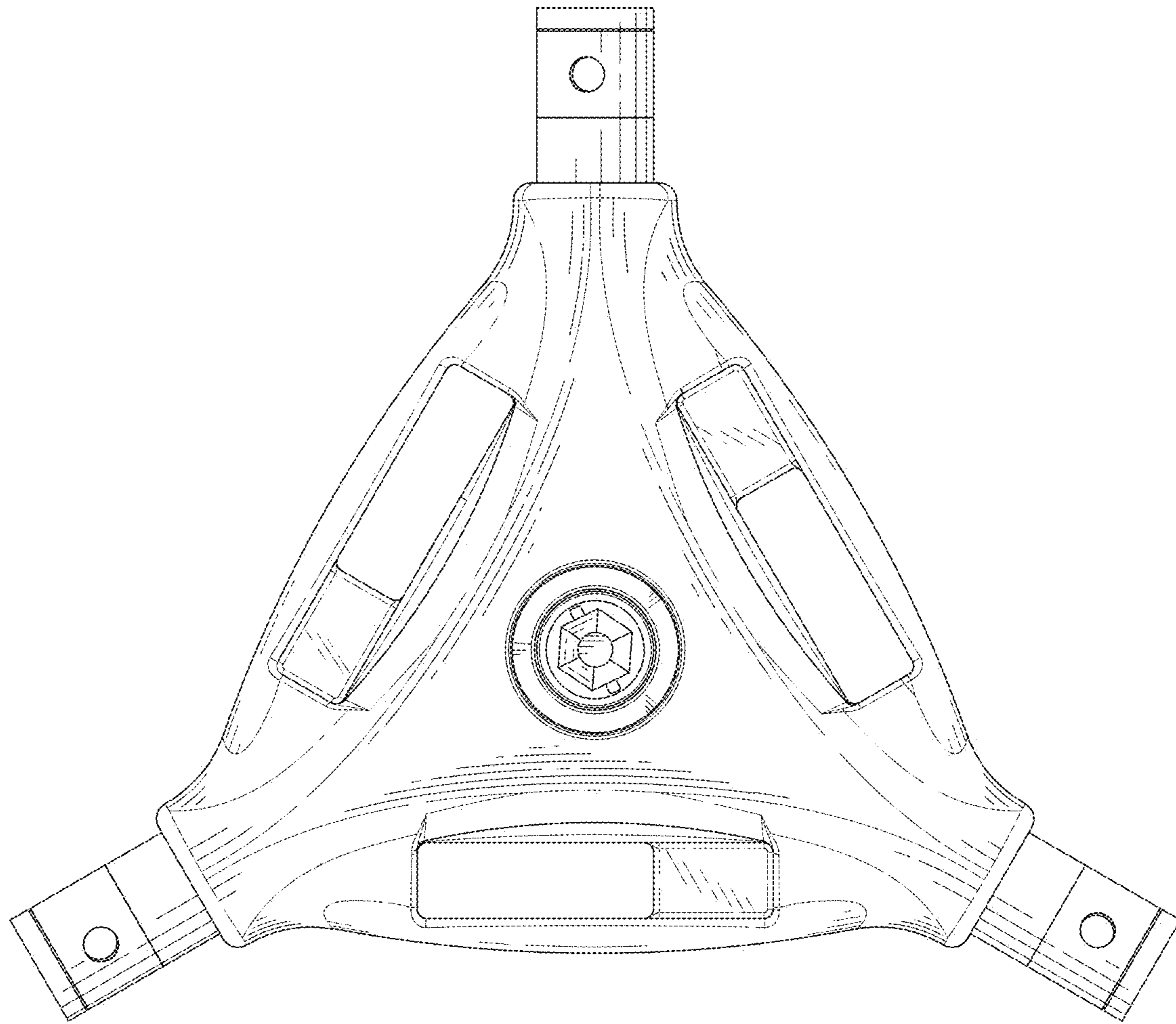


FIG.2

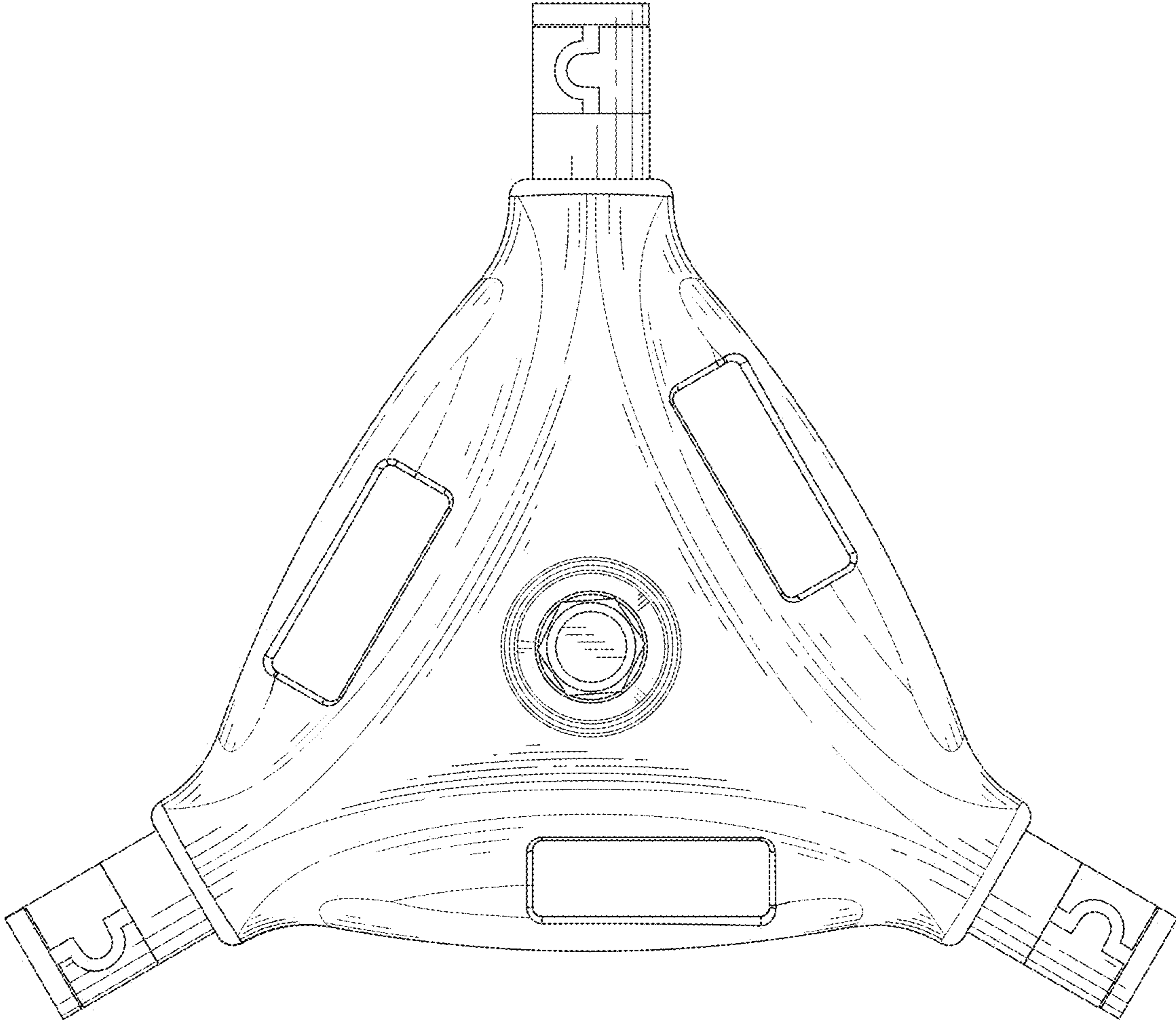


FIG.3

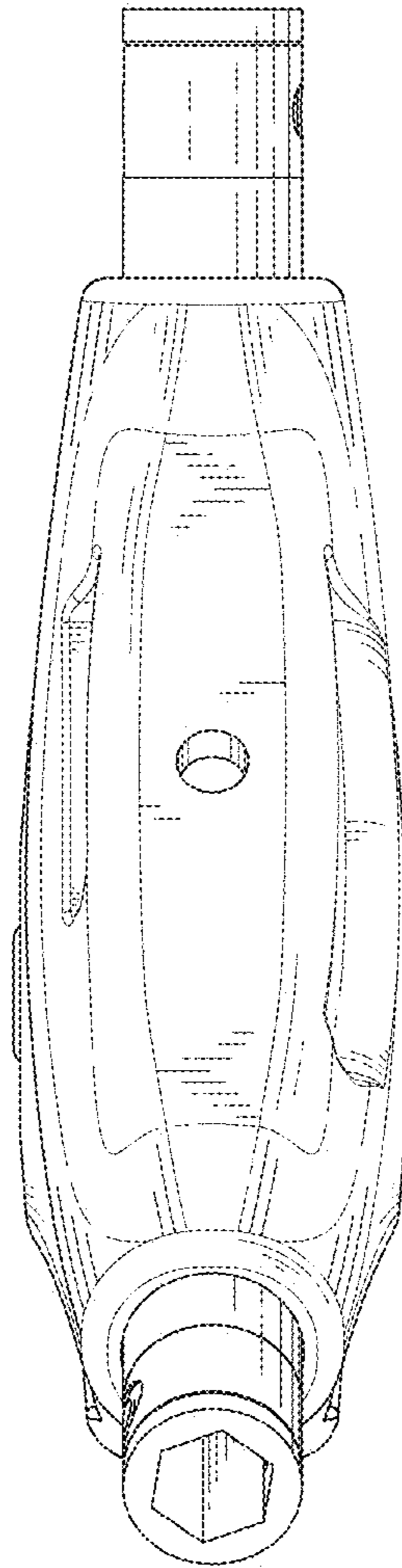


FIG.4

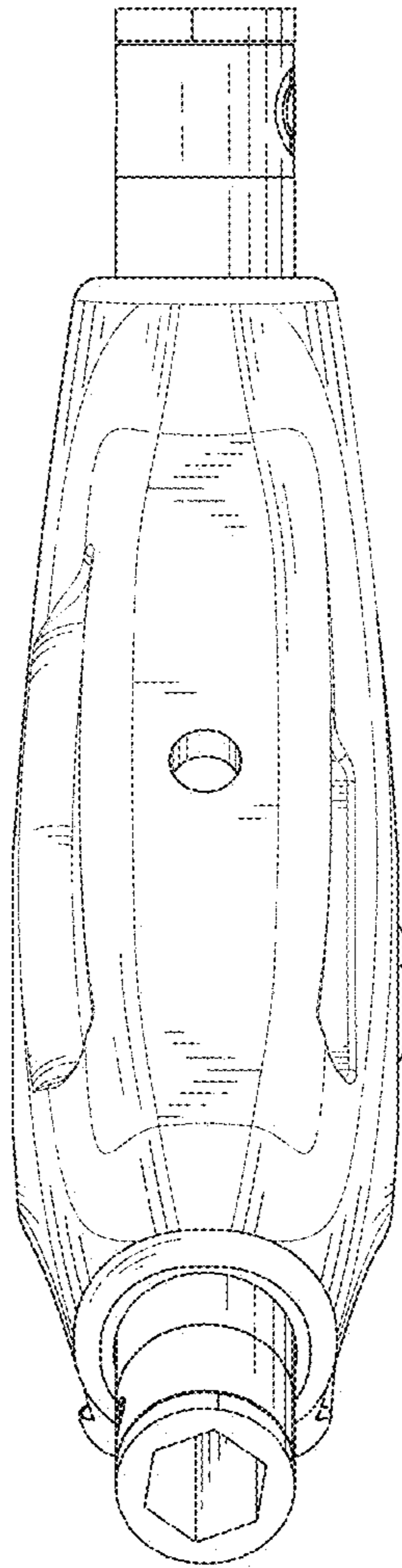


FIG.5

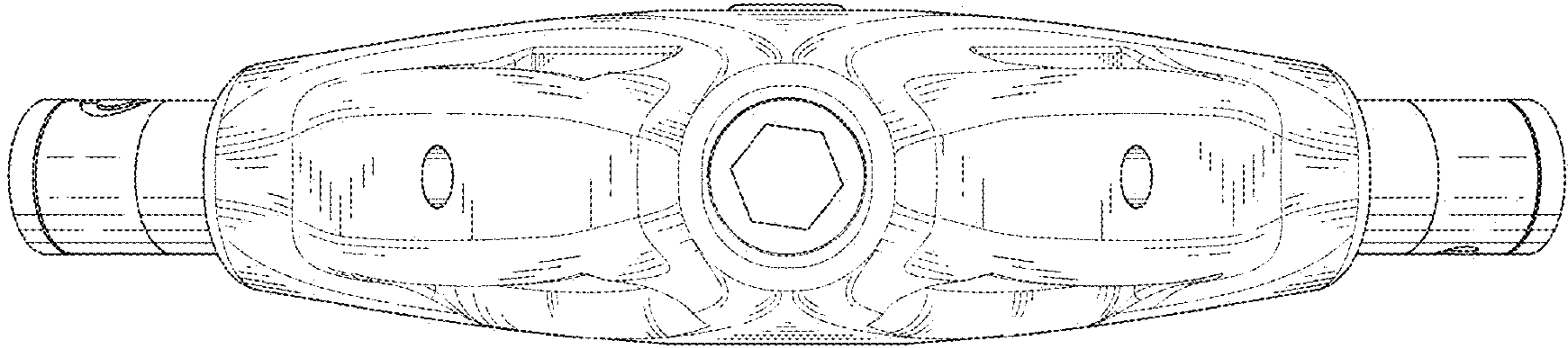


FIG. 6

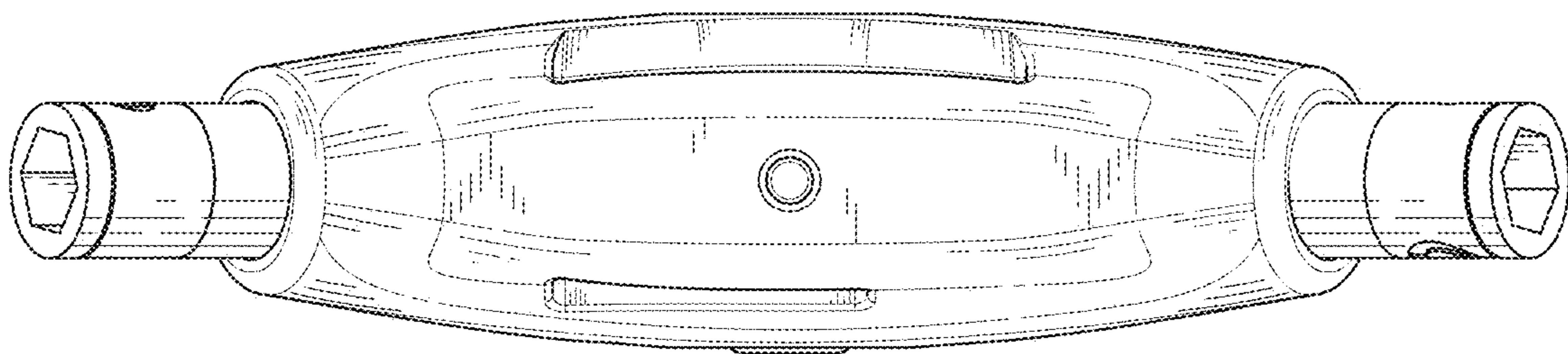


FIG. 7

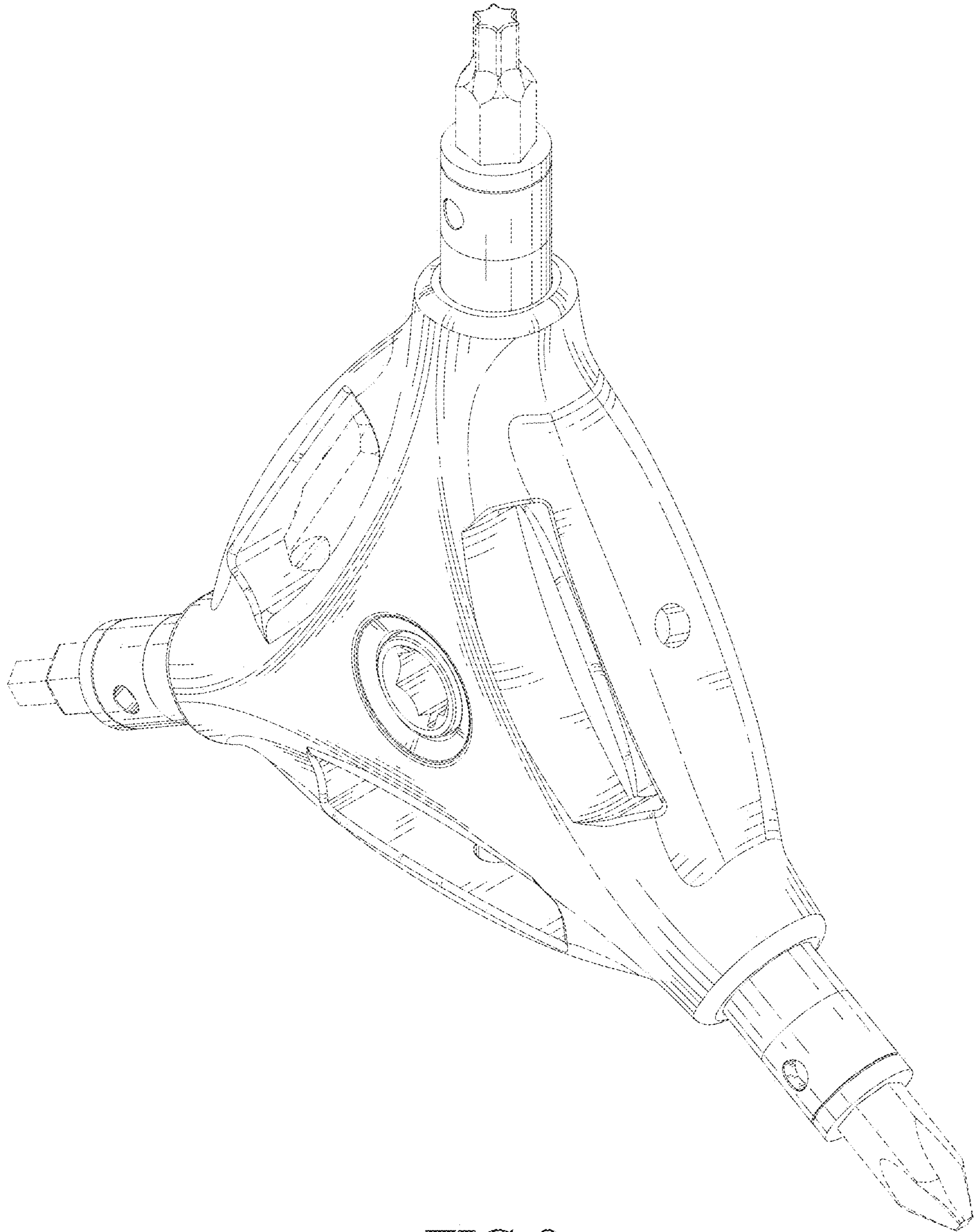


FIG.8