

US00D932272S

(12) **United States Design Patent** (10) **Patent No.:** **US D932,272 S**
Burke et al. (45) **Date of Patent:** **** Oct. 5, 2021**

(54) **BASE FOR HAND TORCH**

(56) **References Cited**

(71) Applicant: **Worthington Cylinders Corporation**,
Columbus, OH (US)

U.S. PATENT DOCUMENTS

(72) Inventors: **John Burke**, Williamsburg, OH (US);
Christopher Francis Kreuser, Lewis
Center, OH (US); **Dustin Lee**,
Worthington, OH (US); **Jerome**
Schafer, Liberty Township, OH (US);
Jake Schubert, Bellevue, KY (US);
Michael Sharpe, Sunbury, OH (US);
Cory Blaine Shoup, Powell, OH (US);
Karl Vanderbeek, Cincinnati, OH
(US); **Thomas Washenko**, Columbus,
OH (US)

D290,221 S	*	6/1987	Wilson	D28/17
D308,160 S	*	5/1990	Sweeny	D8/30
D335,676 S	*	5/1993	Szybura	D15/144
D413,502 S	*	9/1999	Chang	D8/71
D415,854 S	*	10/1999	Marcus	D28/18
D479,439 S	*	9/2003	Joss	D7/549
D487,687 S	*	3/2004	Shields, Jr.	D8/71
D513,346 S	*	12/2005	Buck, Jr.	D28/73
D520,446 S	*	5/2006	Liu	D13/108
D525,583 S	*	7/2006	Vu	D13/108
D560,311 S	*	1/2008	Li	D28/73
D594,046 S	*	6/2009	Kita	D15/144
D855,564 S	*	8/2019	Brennan	D13/108
D873,831 S	*	1/2020	DePaolo	D14/434

* cited by examiner

(73) Assignee: **WORTHINGTON CYLINDERS CORPORATION**, Columbus, OH (US)

Primary Examiner — Philip S Hyder

(74) *Attorney, Agent, or Firm* — Tucker Ellis LLP

(**) Term: **15 Years**

(57) **CLAIM**

The ornamental design for a base for a hand torch, as shown and described.

(21) Appl. No.: **29/727,160**

DESCRIPTION

(22) Filed: **Mar. 9, 2020**

(51) **LOC (13) Cl.** **08-05**

(52) **U.S. Cl.**
USPC **D8/71**

(58) **Field of Classification Search**
USPC D8/14, 30, 71; D15/144, 144.1, 144.2;
D28/73

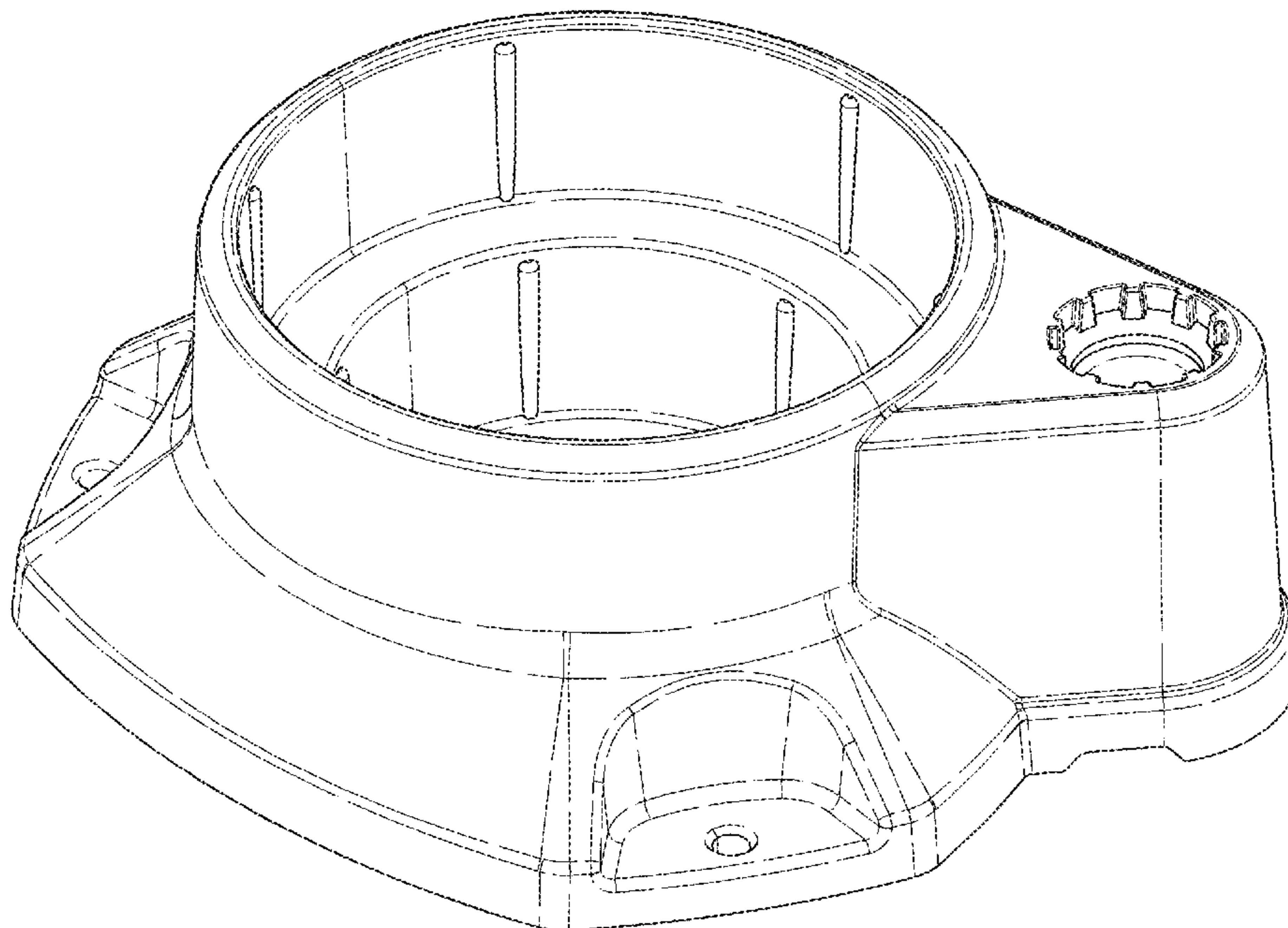
CPC B23K 9/28; B23K 9/125; B23K 9/295;
B23K 9/1336; B23K 9/1087; B23K
9/124; B23K 9/325; B23K 9/287; B23K
37/02; B23K 37/006; B23K 3/027

FIG. 1 is a top, front, and right perspective view of a base for a hand torch embodying the new design; FIG. 2 is a top, rear perspective view thereof; FIG. 3 is a front elevation view thereof; FIG. 4 is a rear elevation view thereof; FIG. 5 is a left side elevation view thereof; FIG. 6 is a right side elevation view thereof; FIG. 7 is a top plan view thereof; and, FIG. 8 is a bottom plan view thereof.

The broken lines show portions of the base for hand torch that form no part of the claimed design.

See application file for complete search history.

1 Claim, 8 Drawing Sheets



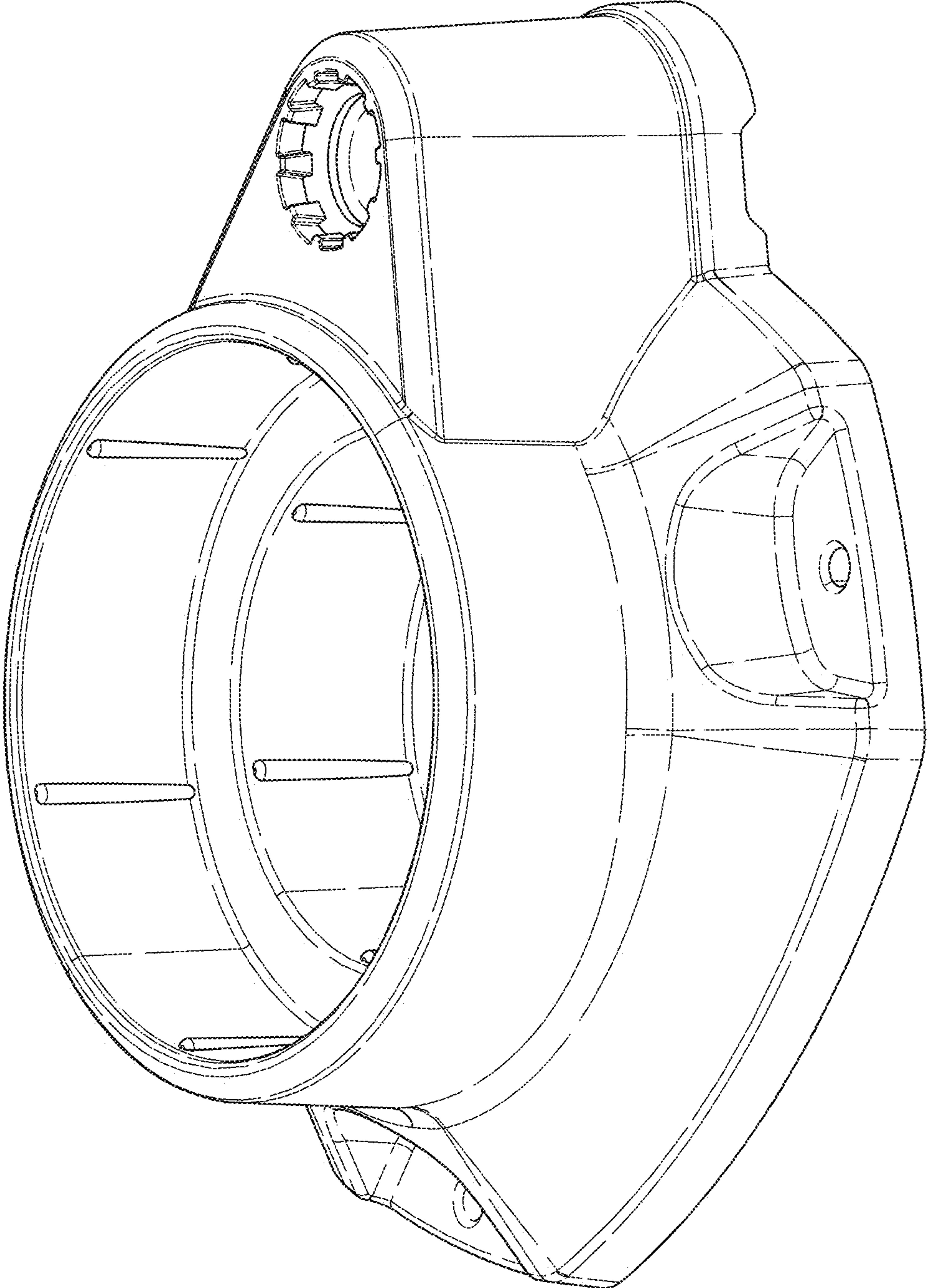


FIG. 1

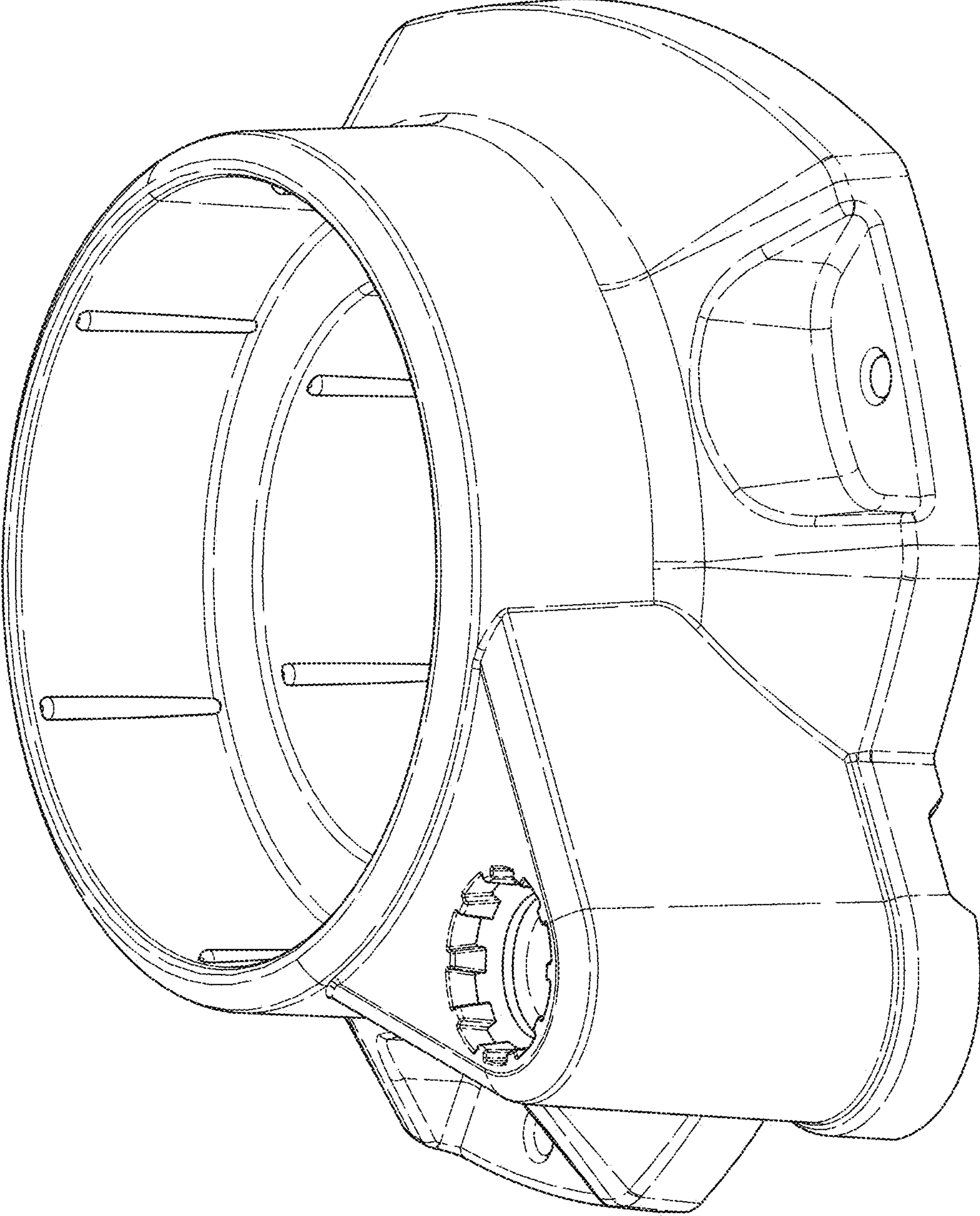


FIG. 2

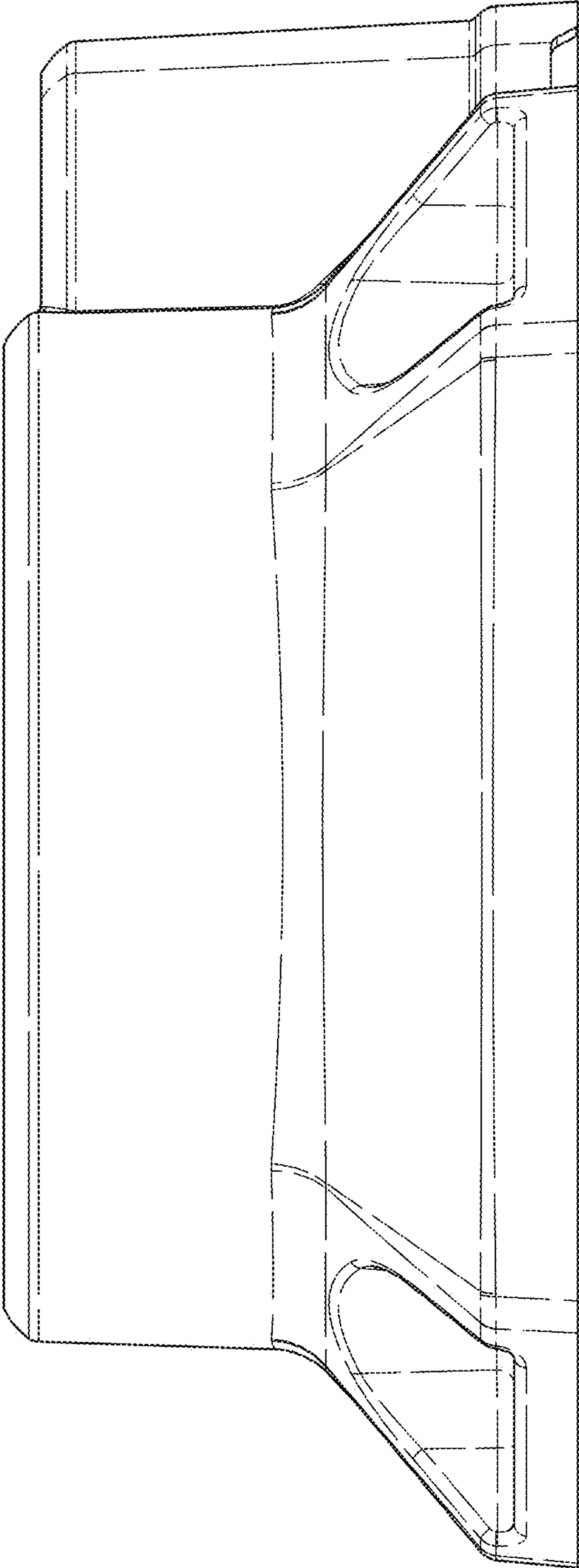


FIG. 3

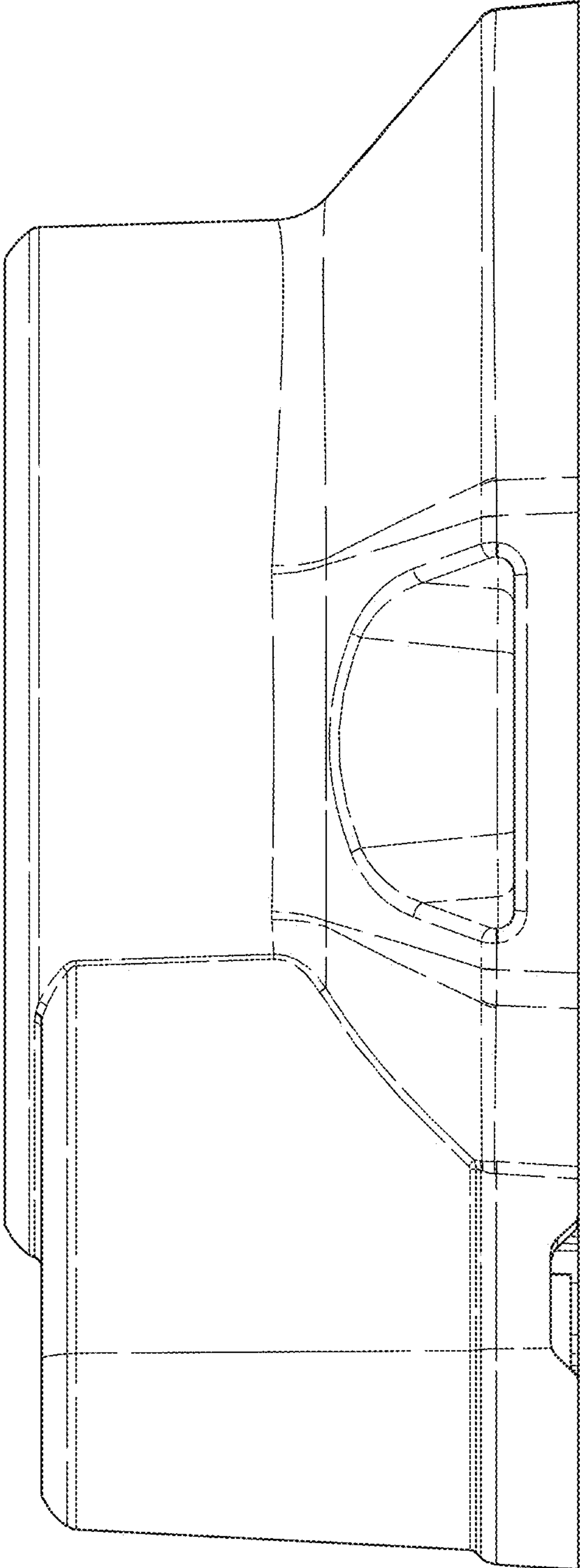


FIG. 4

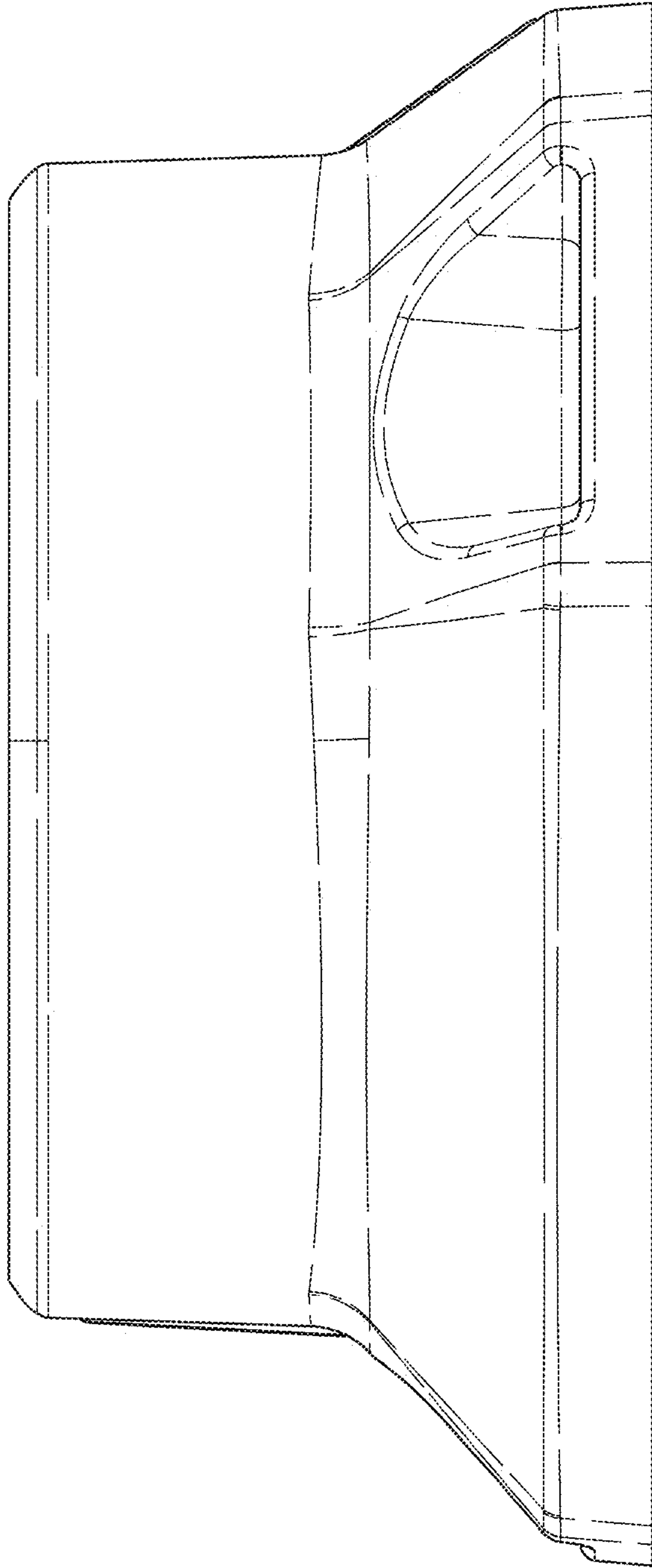


FIG. 5

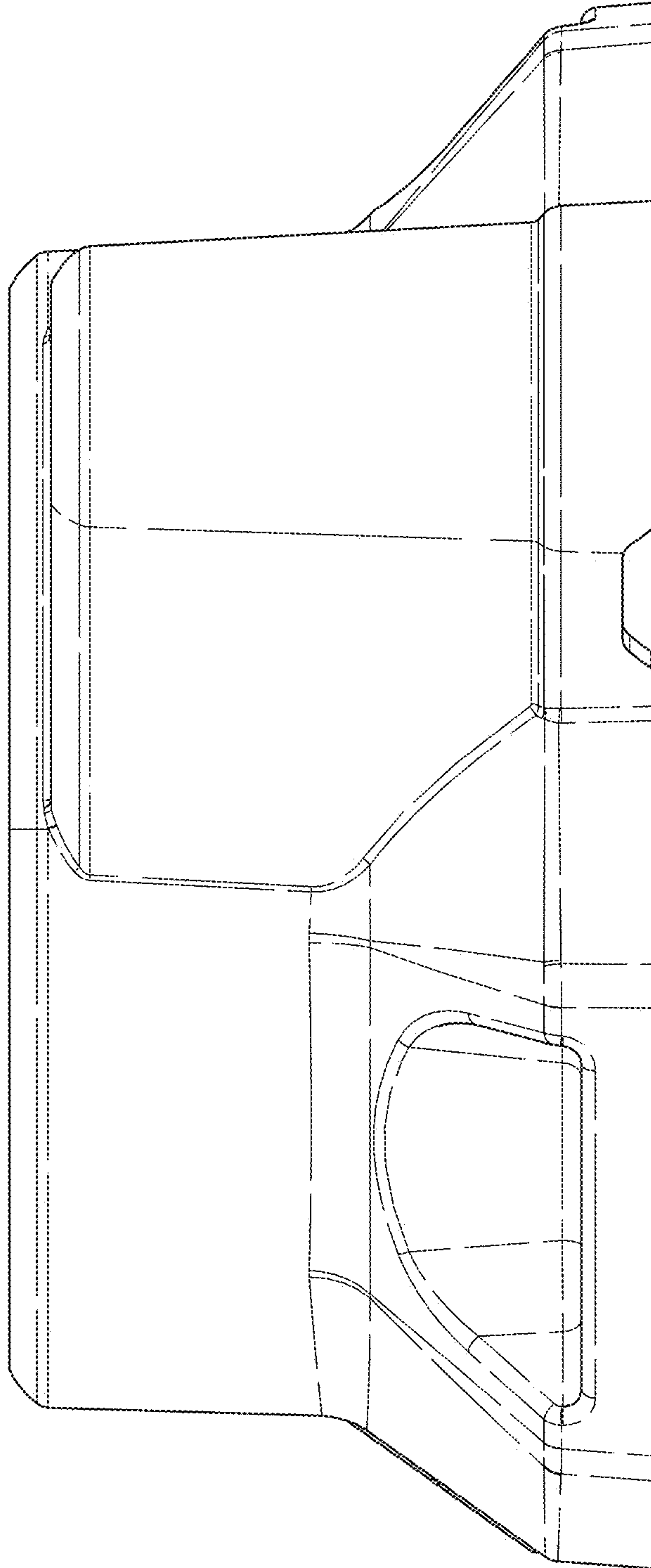


FIG. 6

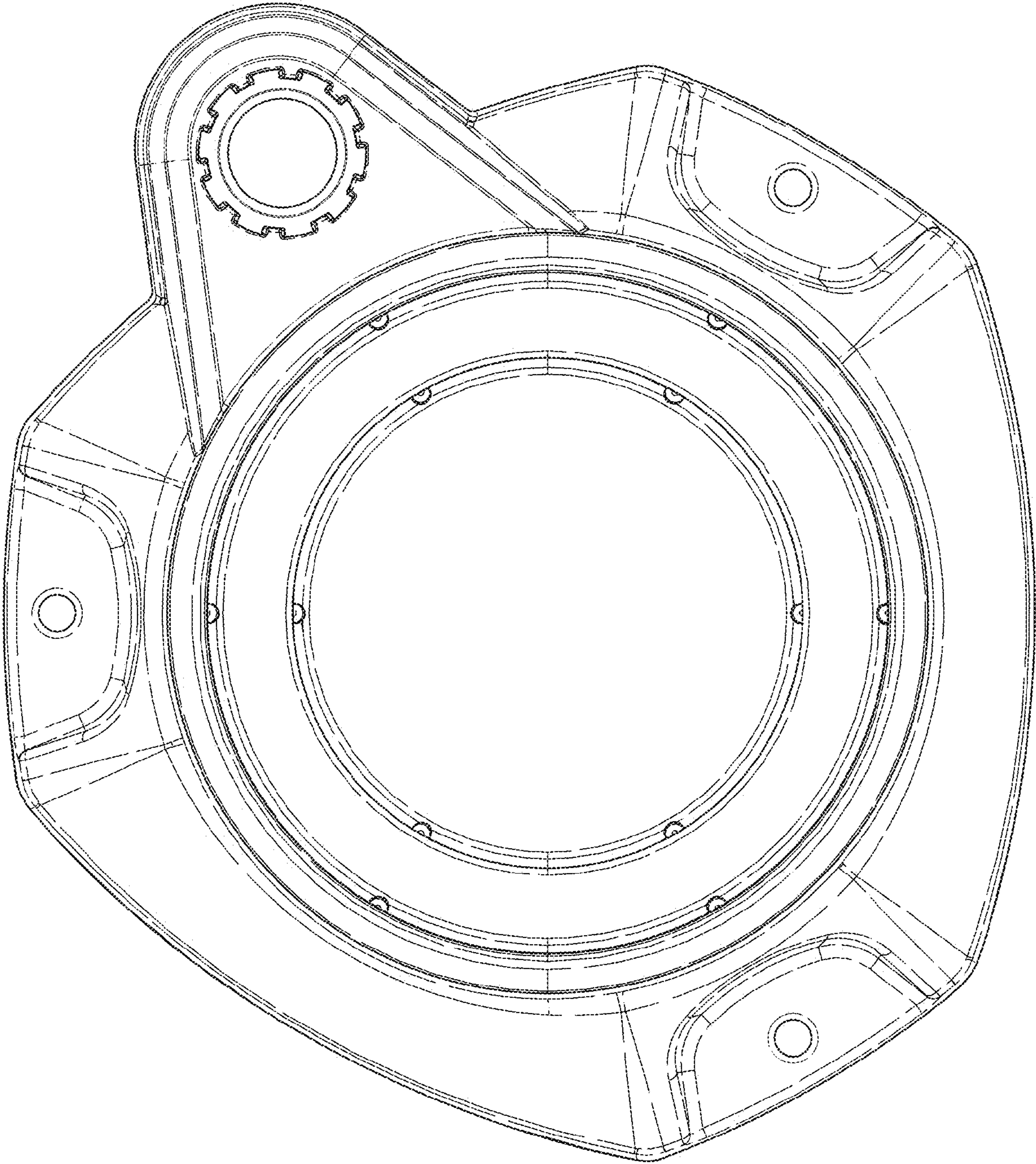


FIG. 7

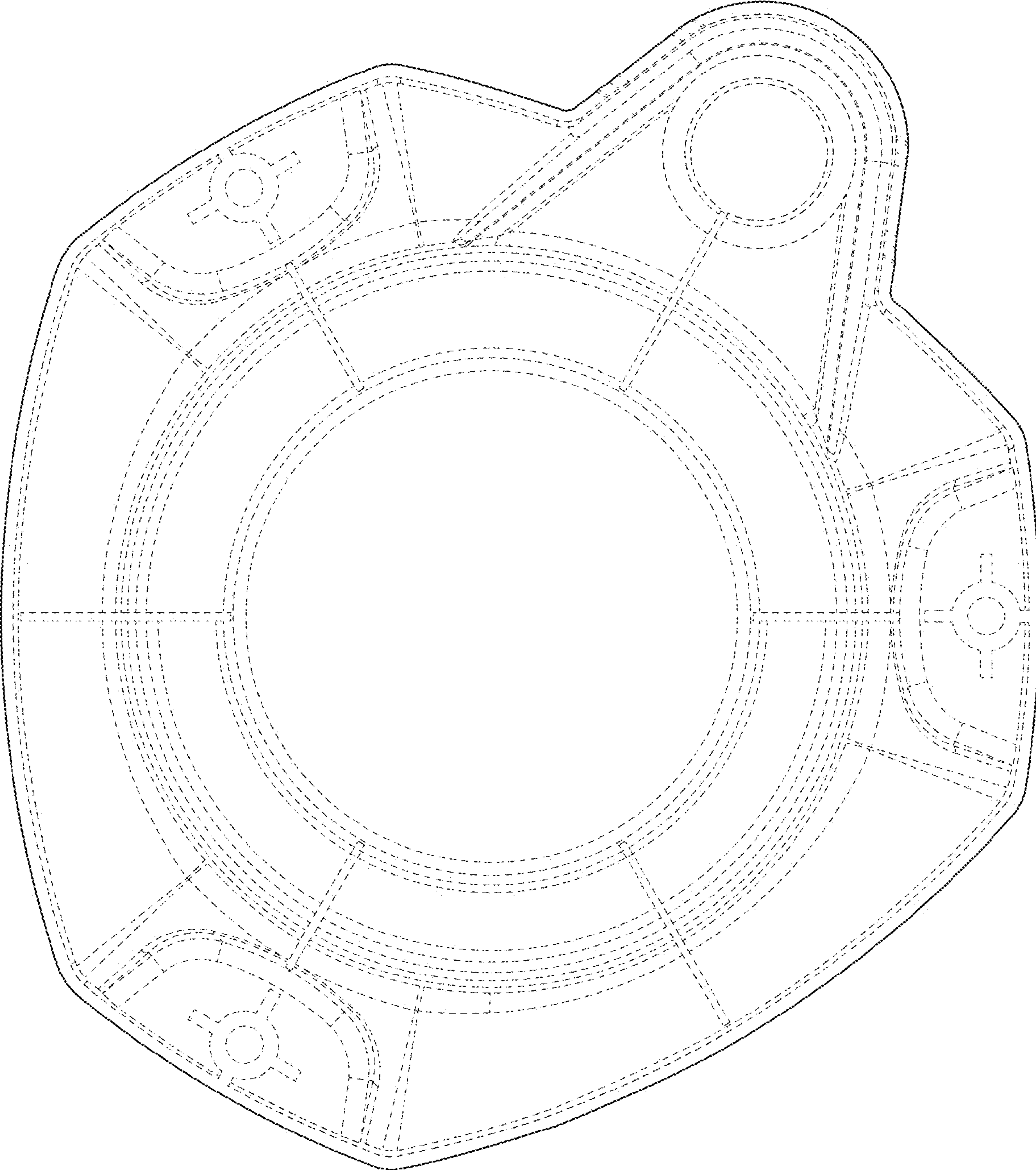


FIG. 8