



US00D932270S

(12) **United States Design Patent**
Sundling

(10) **Patent No.:** **US D932,270 S**

(45) **Date of Patent:** **** Oct. 5, 2021**

(54) **VEHICLE BODY SPOT WELD REMOVAL TOOL**

(71) Applicant: **Robert S. Sundling**, Wilbur, NE (US)

(72) Inventor: **Robert S. Sundling**, Wilbur, NE (US)

(**) Term: **15 Years**

(21) Appl. No.: **29/731,298**

(22) Filed: **Apr. 14, 2020**

(51) **LOC (13) Cl.** **08-05**

(52) **U.S. Cl.**
USPC **D8/70**

(58) **Field of Classification Search**
USPC D8/14, 29, 70, 86; D15/139
CPC .. B23B 51/00; B23B 49/005; B25D 2250/295
See application file for complete search history.

(56) **References Cited**

U.S. PATENT DOCUMENTS

4,540,319	A *	9/1985	Michiharu	B25H 1/0057	408/100
4,735,528	A *	4/1988	Parrone	B23B 49/005	408/112
4,830,550	A *	5/1989	Carlson	B23B 45/003	408/102
5,149,234	A *	9/1992	Durfee, Jr.	B23B 51/00	408/199

D379,420	S *	5/1997	Standlee	D8/70
D401,489	S *	11/1998	Ambrose	D8/70
6,047,620	A *	4/2000	Kozak	B25B 13/485
					81/441
D477,515	S *	7/2003	Winivis	D8/70
D542,109	S *	5/2007	Lebron	D8/70
2006/0200998	A1 *	9/2006	Kurtz	B25D 3/00
					30/167

* cited by examiner

Primary Examiner — Philip S Hyder

(74) *Attorney, Agent, or Firm* — Dennis L. Thomte;
Thomte Patent Law Office LLC

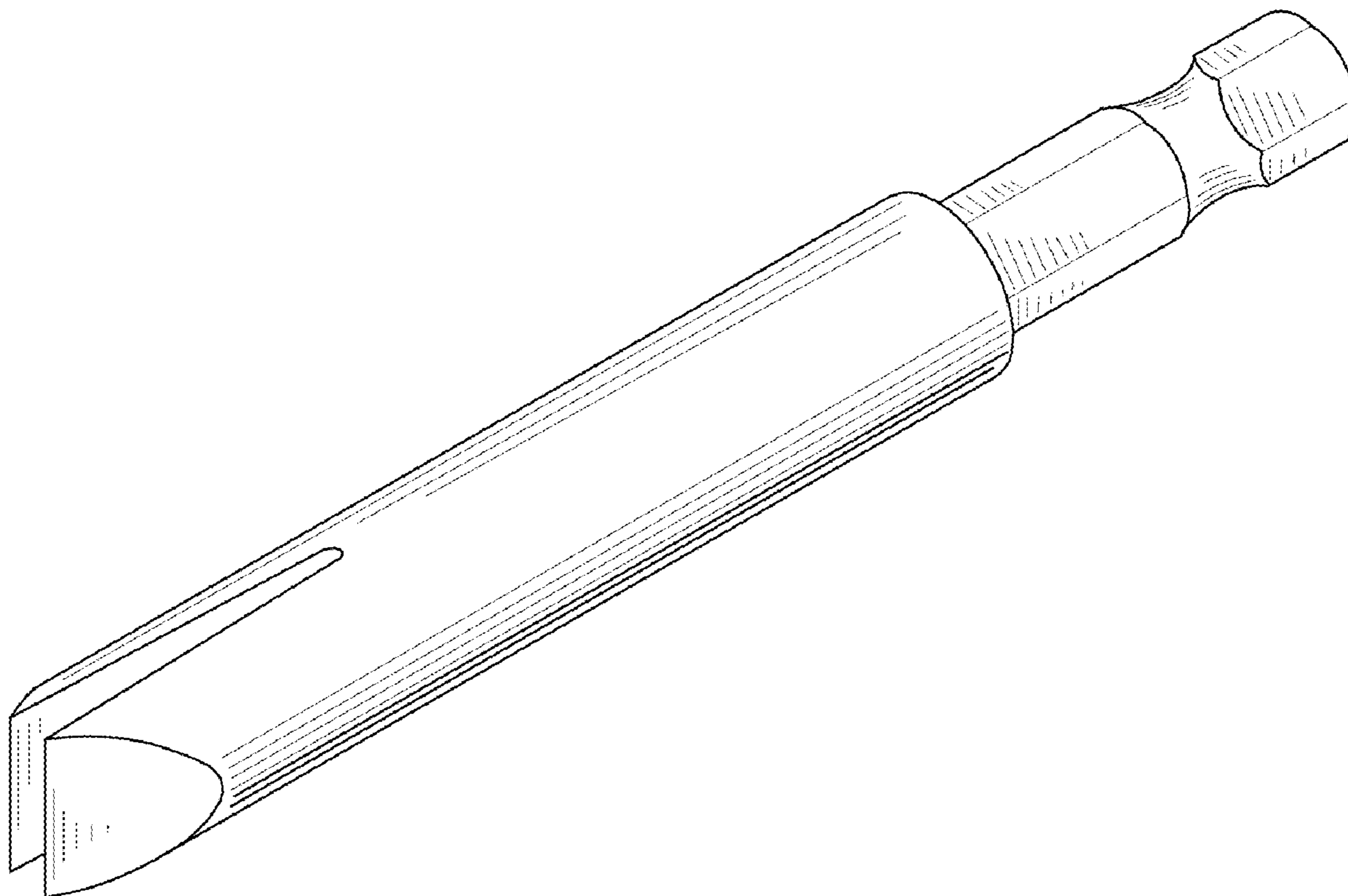
(57) **CLAIM**

The ornamental design for the vehicle body spot weld removal tool, as shown and described.

DESCRIPTION

FIG. 1 is a perspective view of a vehicle body spot weld removal tool, showing the new design; FIG. 2 is a top plan view thereof; FIG. 3 is a left end elevation view thereof; FIG. 4 is a top plan view thereof; FIG. 5 is a right end elevation view thereof; FIG. 6 is a rear elevation view thereof; and, FIG. 7 is a bottom plan view thereof.

1 Claim, 3 Drawing Sheets



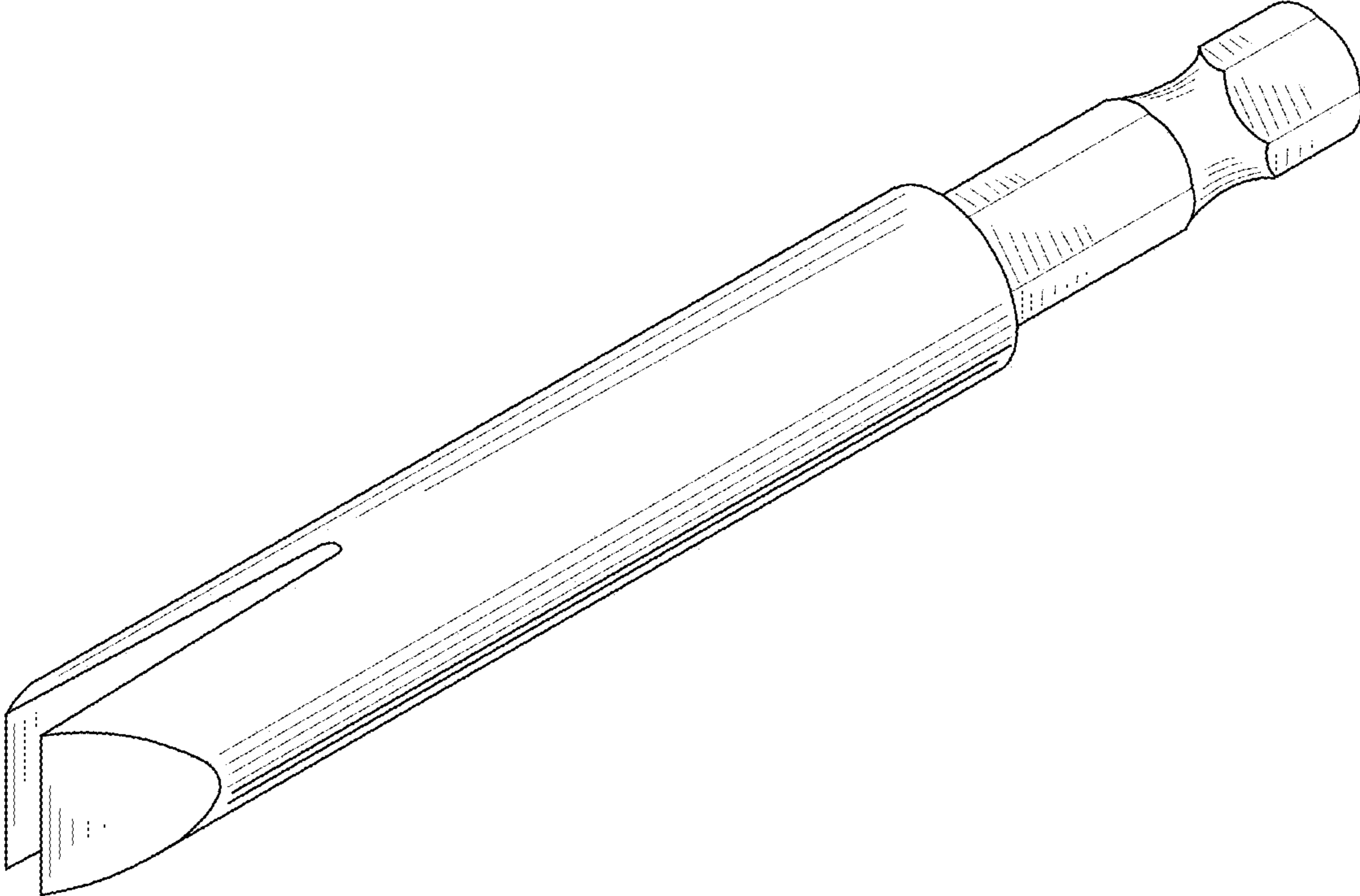


FIG. 1

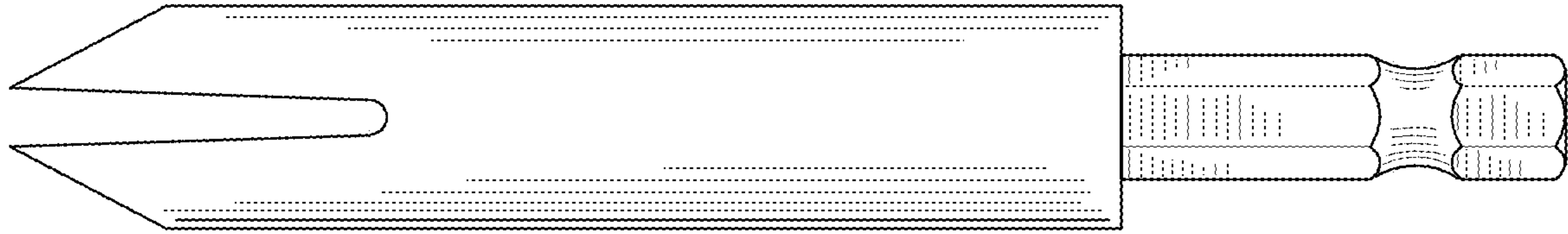


FIG. 2

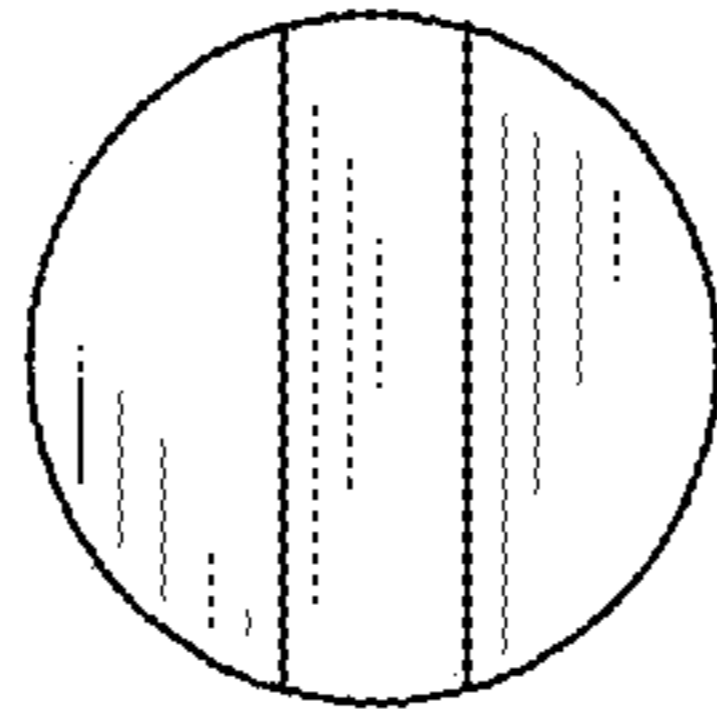


FIG. 3

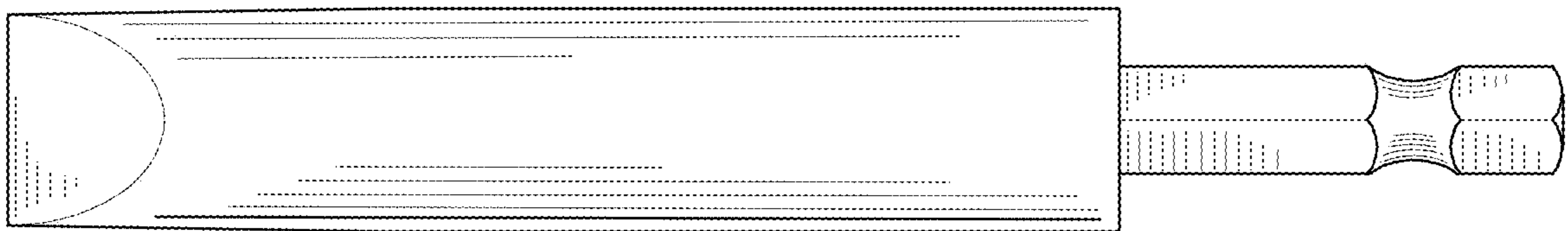


FIG. 4

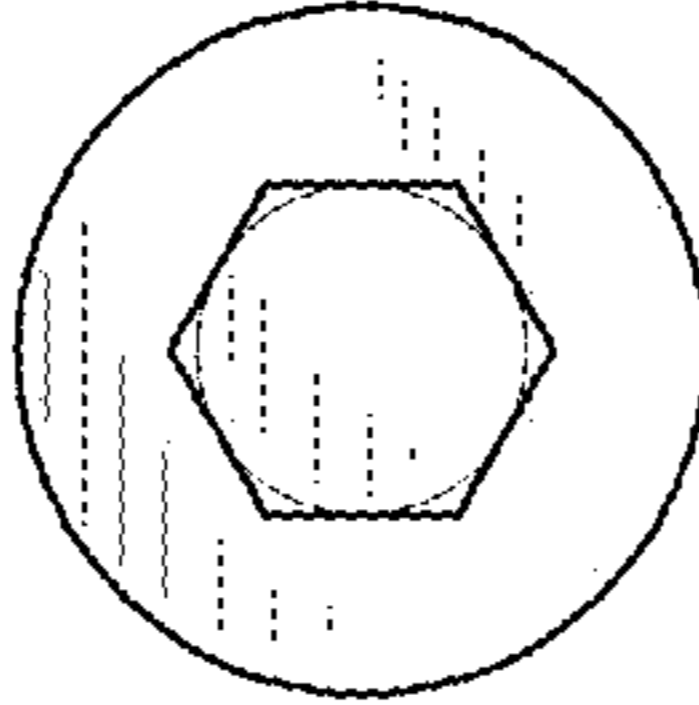


FIG. 5

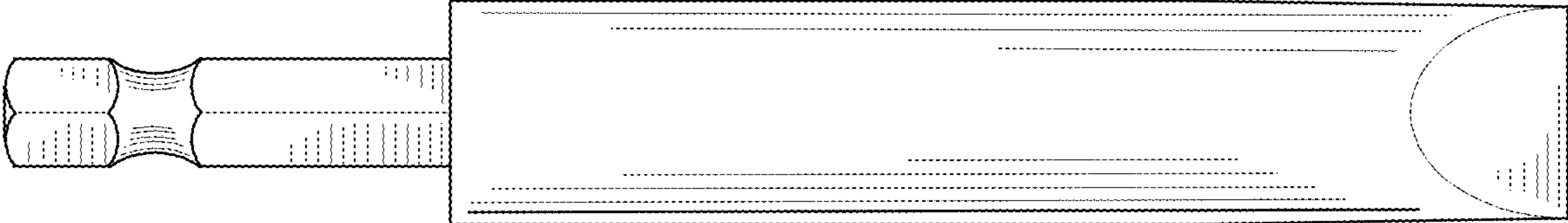


FIG. 6

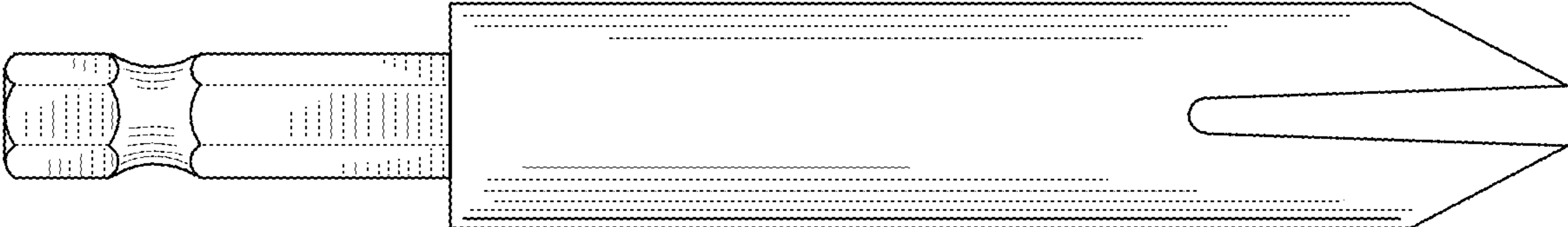


FIG. 7