



US00D932268S

(12) **United States Design Patent** (10) **Patent No.:** **US D932,268 S**
Fang (45) **Date of Patent:** **** Oct. 5, 2021**

(54) **PRUNING SAW**
 (71) Applicants: **Shenghui Liao**, Jingzhou (CN);
Jingying Fang, Yongkang (CN)
 (72) Inventor: **Jingying Fang**, Yongkang (CN)
 (73) Assignees: **Shenghui Liao**, Jingzhou (CN);
Jingying Fang, Yongkang (CN)
 (**) Term: **15 Years**

D538,123 S * 3/2007 Yates D8/65
 D575,605 S * 8/2008 Yamamoto D8/65
 D602,315 S 10/2009 Butcher et al.
 D867,843 S 11/2019 Itoh et al.
 D906,779 S * 1/2021 Tinius D8/64
 D907,978 S * 1/2021 Schaefer D8/61
 D926,007 S * 7/2021 Kong D8/65
 2015/0375416 A1 * 12/2015 Haneda B27B 17/0008
 30/383
 2017/0239835 A1 * 8/2017 Ebner B27B 17/02
 2018/0133818 A1 * 5/2018 Mang B27B 17/08
 2021/0078123 A1 * 3/2021 Oberhofer B27B 17/08

(21) Appl. No.: **29/768,412**
 (22) Filed: **Jan. 29, 2021**

* cited by examiner

Primary Examiner — Philip S Hyder

(30) **Foreign Application Priority Data**

Nov. 4, 2020 (CN) 202030664219.8

(51) **LOC (13) Cl.** **08-03**

(52) **U.S. Cl.**
USPC **D8/65**

(58) **Field of Classification Search**
 USPC D8/4, 5, 60, 64, 65; D15/127, 129
 CPC B27B 17/08; B27B 17/0008; B27B 17/00;
 B27B 17/02; B27B 17/025; B27B 17/04;
 Y10S 30/01; A01G 3/00; A01G 3/053
 See application file for complete search history.

(56) **References Cited**

U.S. PATENT DOCUMENTS

5,685,080 A * 11/1997 Amano B27B 17/08
 30/383
 D536,590 S * 2/2007 Busschaert D8/65

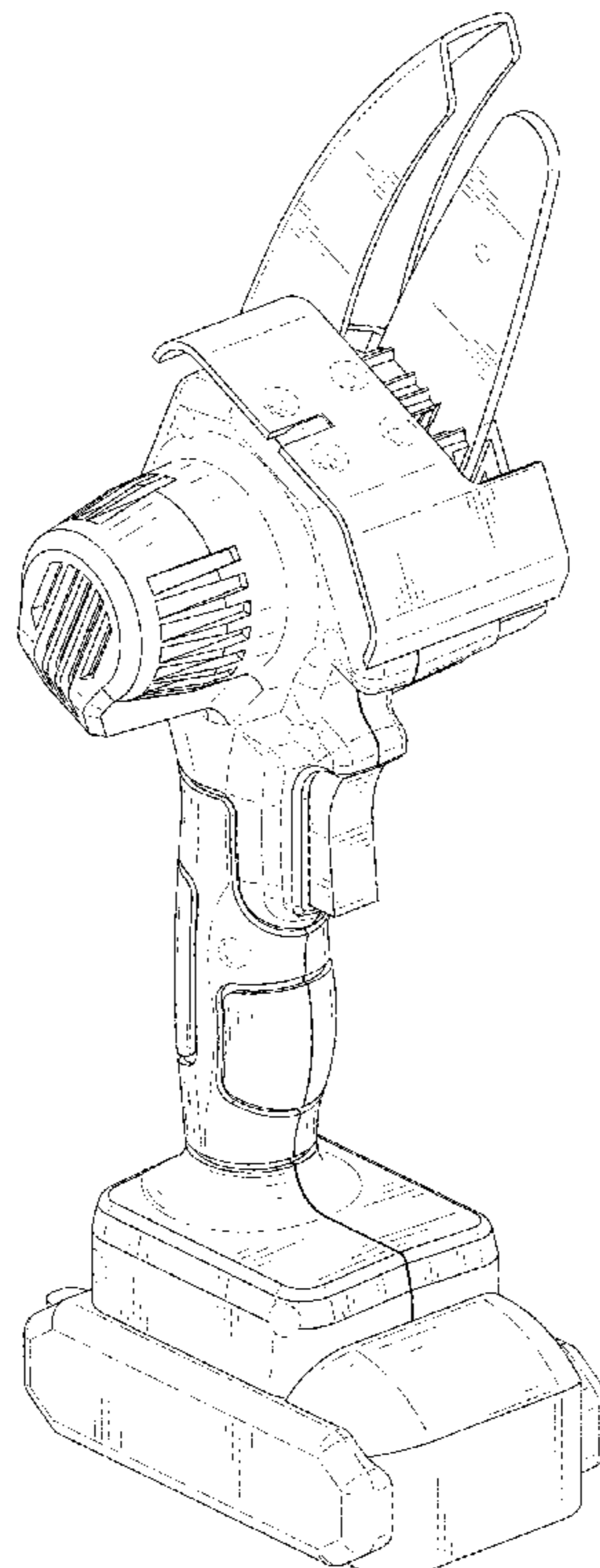
(57) **CLAIM**

The ornamental design for a pruning saw, as shown and described.

DESCRIPTION

FIG. 1 is a perspective view of a pruning saw showing my new design;
 FIG. 2 is another perspective view thereof;
 FIG. 3 is a front elevational view thereof
 FIG. 4 is a rear elevational view thereof;
 FIG. 5 is a left side elevational view thereof;
 FIG. 6 is a right side elevational view thereof;
 FIG. 7 is a top plan view thereof; and,
 FIG. 8 is a bottom plan view thereof.
 The broken lines in the drawings depict portions of the pruning saw that form no part of the claimed design.

1 Claim, 8 Drawing Sheets



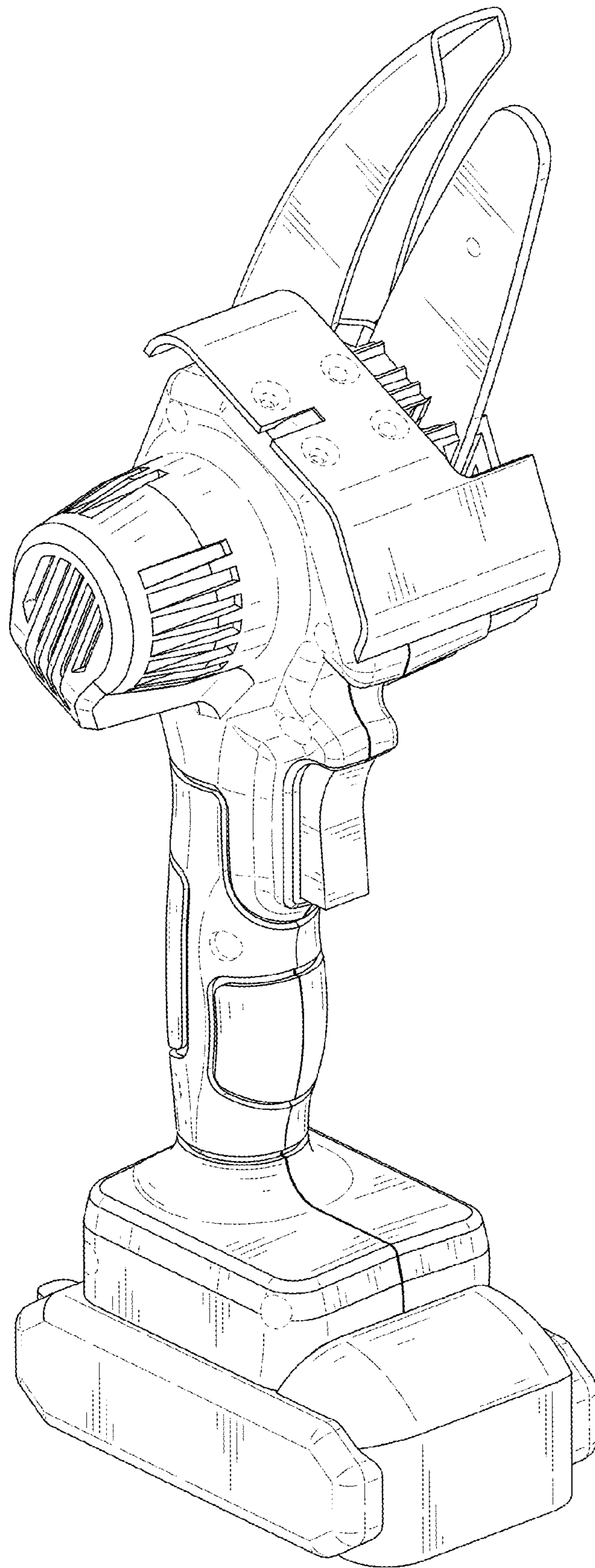


FIG. 1

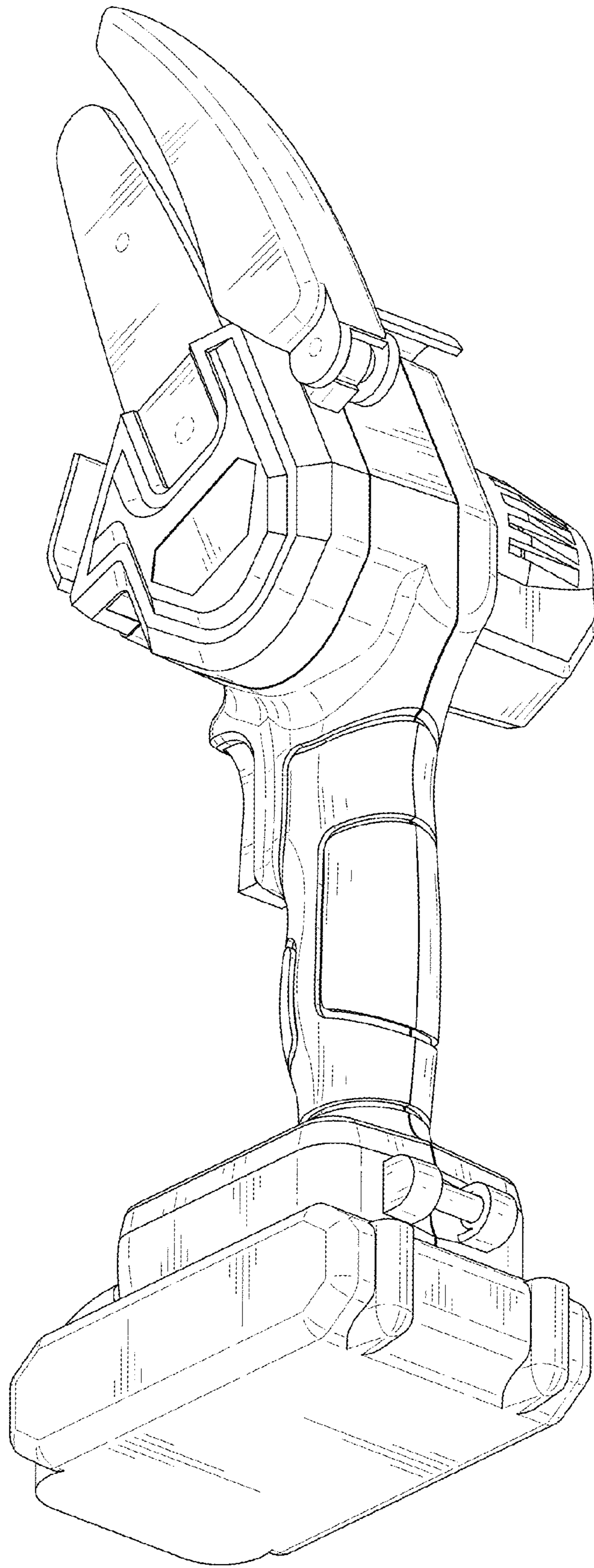


FIG. 2

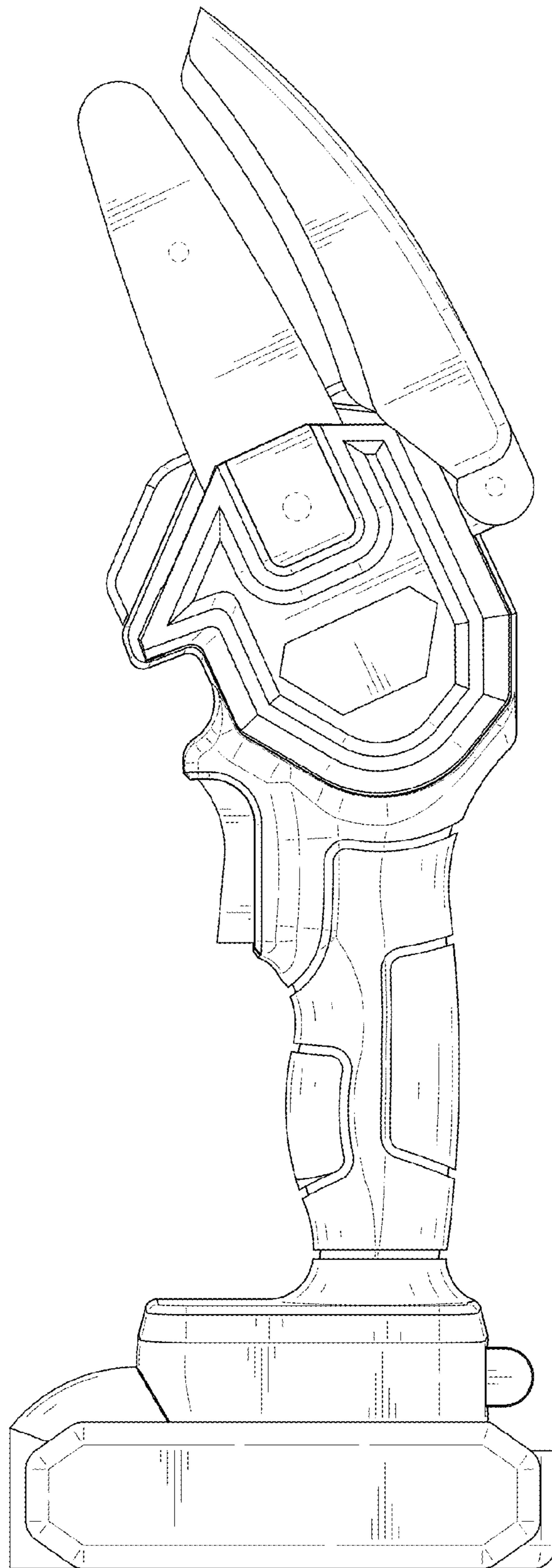


FIG. 3

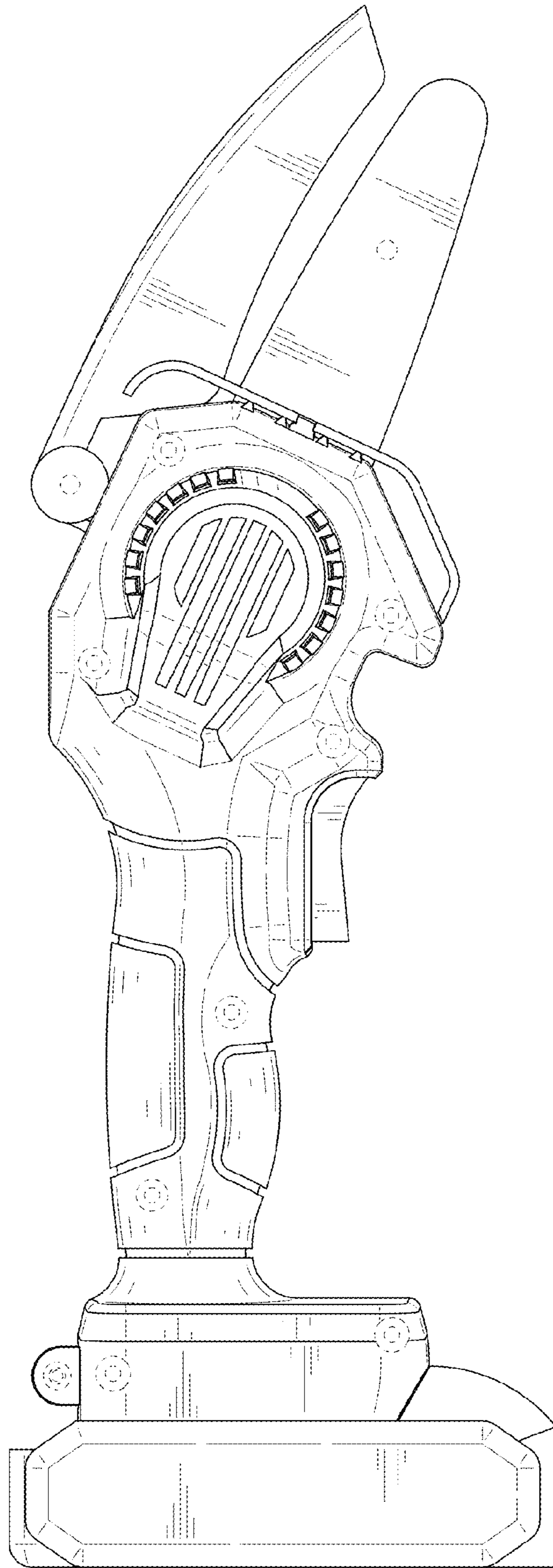


FIG. 4

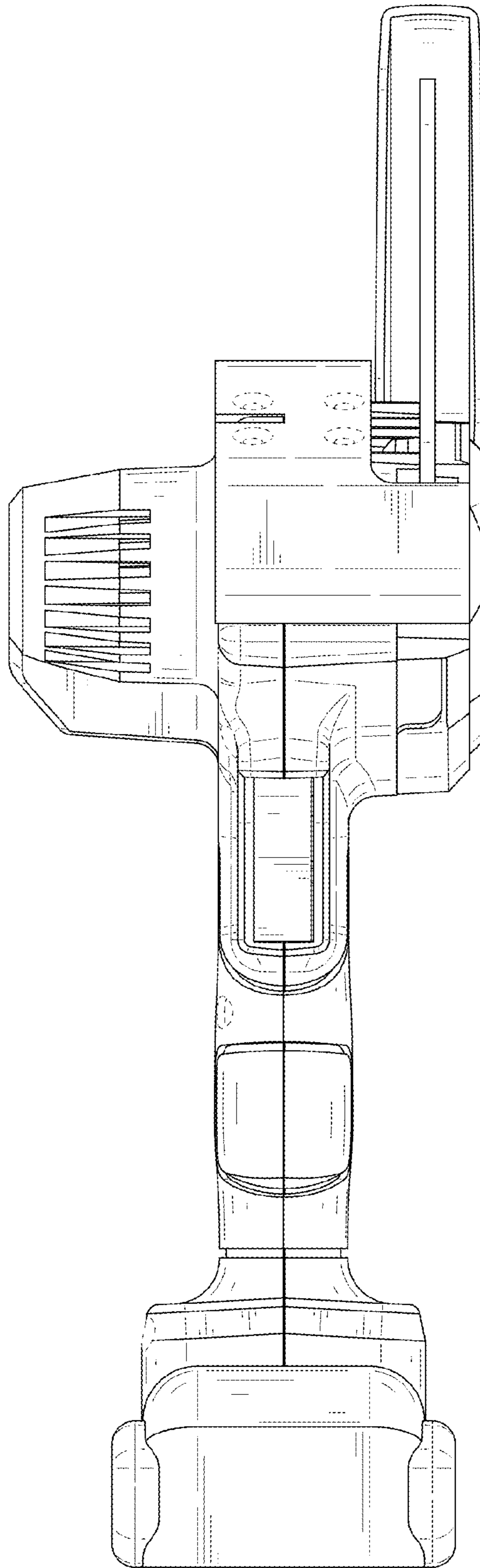


FIG. 5

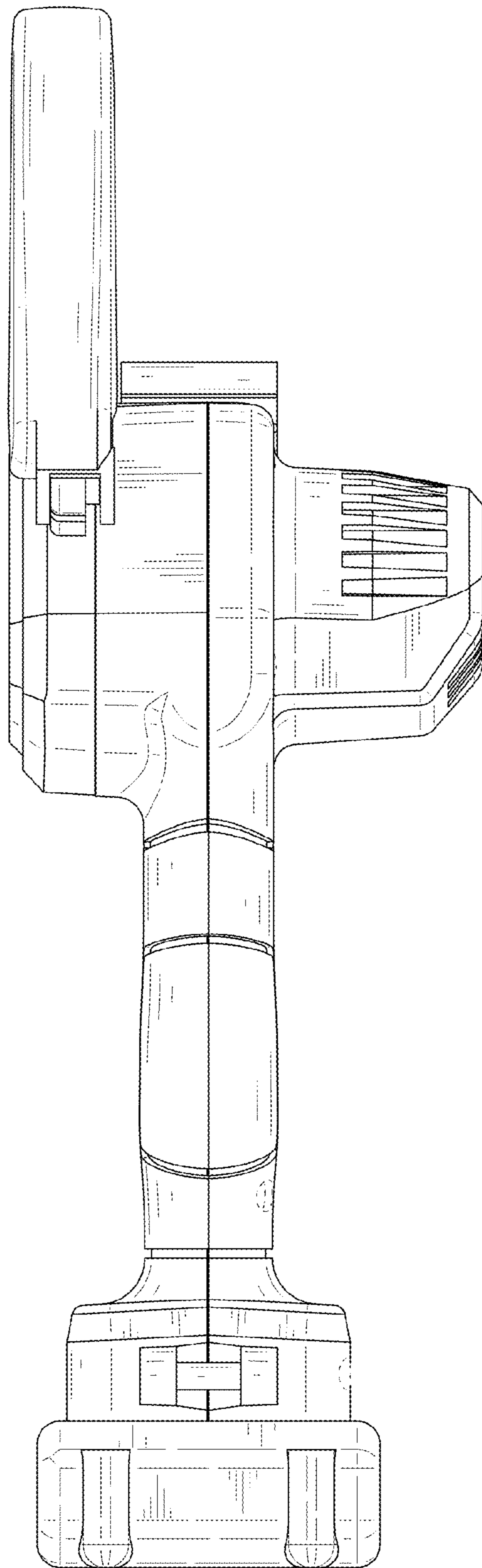


FIG. 6

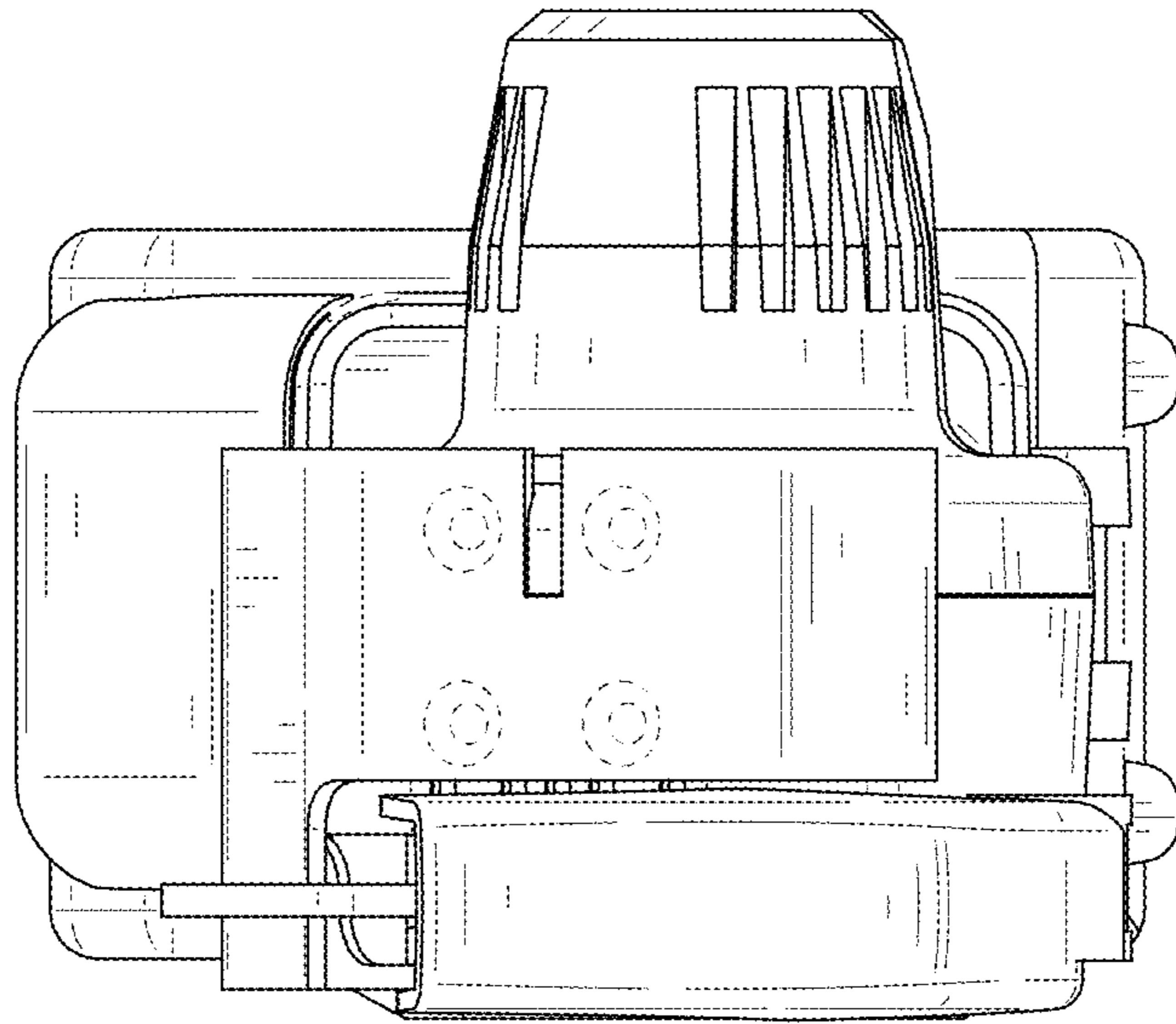


FIG. 7

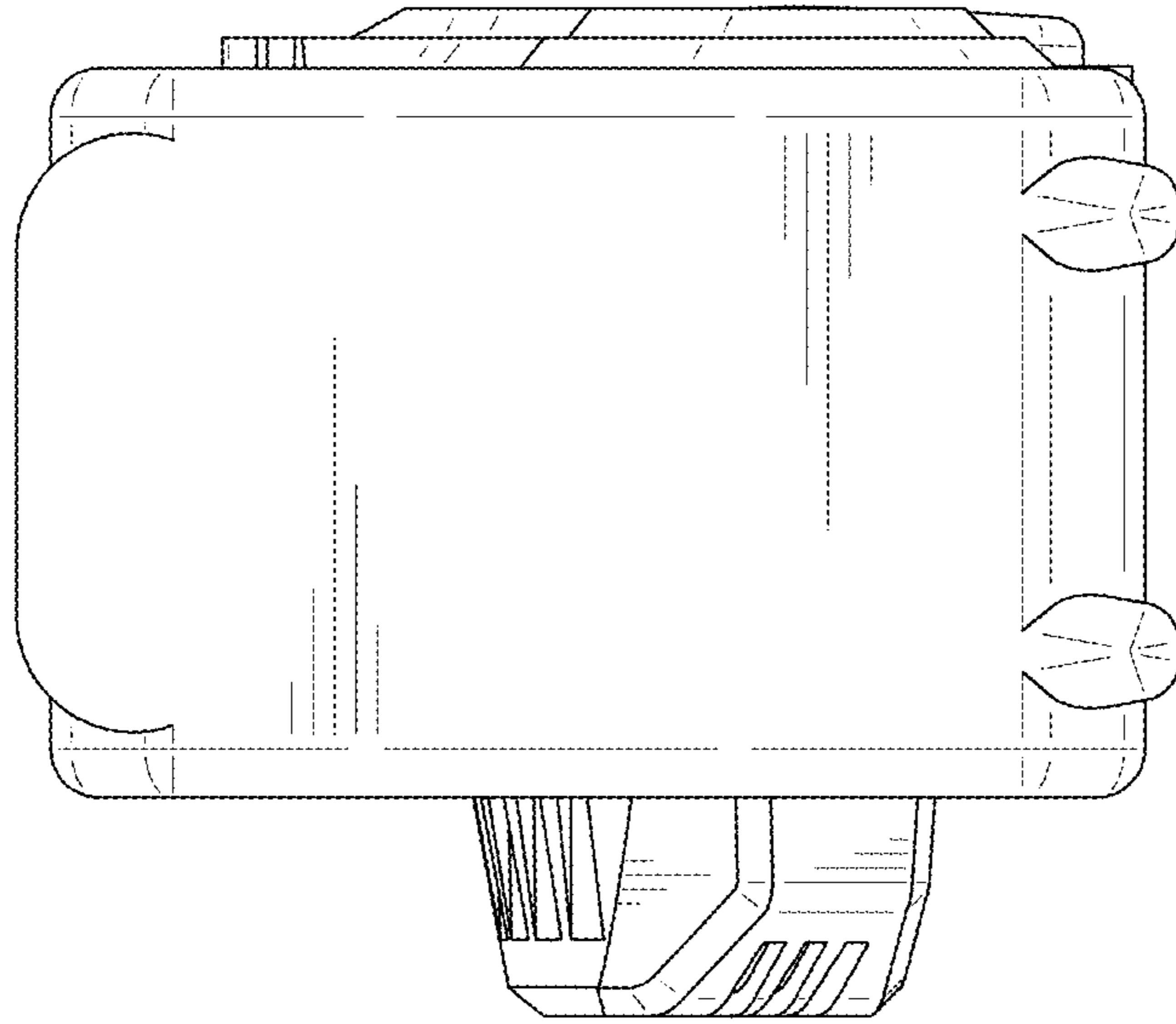


FIG. 8