

US00D932267S

(12) **United States Design Patent** (10) **Patent No.:** **US D932,267 S**  
**Johnson** (45) **Date of Patent:** **\*\* Oct. 5, 2021**

- (54) **MICRO POLISHER**
- (71) Applicant: **B&B Blending, LLC**, Northglenn, CO (US)
- (72) Inventor: **Derek Johnson**, Golden, CO (US)
- (73) Assignee: **B&B BLENDING, LLC**, Northglenn, CO (US)
- (\*\*) Term: **15 Years**
- (21) Appl. No.: **29/735,233**
- (22) Filed: **May 19, 2020**
- (51) **LOC (13) Cl.** ..... **08-01**
- (52) **U.S. Cl.**  
USPC ..... **D8/61**
- (58) **Field of Classification Search**  
USPC ..... D8/61, 62, 67, 69; 81/57, 57.11, 57.14, 81/57.26, 429, 464, 469; 173/2, 170, 173/176, 181  
CPC ..... B25B 21/02; B25B 21/008; B25B 23/16; B25B 23/1405; A61B 17/1615  
See application file for complete search history.

- D845,735 S \* 4/2019 Cain ..... D8/70
- D879,572 S \* 3/2020 Monroy ..... D8/61
- D879,573 S \* 3/2020 Monroy ..... D8/61

**OTHER PUBLICATIONS**

W. W. Grainger, Inc., "Bosch: 3/8 in Cordless Right Angle Drill, Kit 12.0 V Voltage, Battery Included", Known to exist as early as Nov. 13, 2019, p. 3 Publisher: Retrieved from [https://www.grainger.com/product/19TT39?gclid=EAlalQobChMl6cbQ8Mb66wIVRr7ACh0BJQ8vEAQYASAB-EgKybfD\\_BwE&cm\\_mmc=PPC:+Google+PLA&ef\\_id=EAla](https://www.grainger.com/product/19TT39?gclid=EAlalQobChMl6cbQ8Mb66wIVRr7ACh0BJQ8vEAQYASAB-EgKybfD_BwE&cm_mmc=PPC:+Google+PLA&ef_id=EAla) on Sep. 21, 2020.

Trailervalet, "Drill Attachment, Right Angle Drill, 3AMP Battery, Charger", Known to exist as early as Nov. 13, 2019, p. 2 Publisher: Retrieved from <https://trailervalet.com/shop/drill-attachment-right-angle-drill-3amp-battery-charger/> on Sep. 21, 2020.

\* cited by examiner

*Primary Examiner* — Austin Murphy  
(74) *Attorney, Agent, or Firm* — Neugeboren O'Dowd PC

(57) **CLAIM**

The ornamental design for a micro polisher, as shown.

(56) **References Cited**

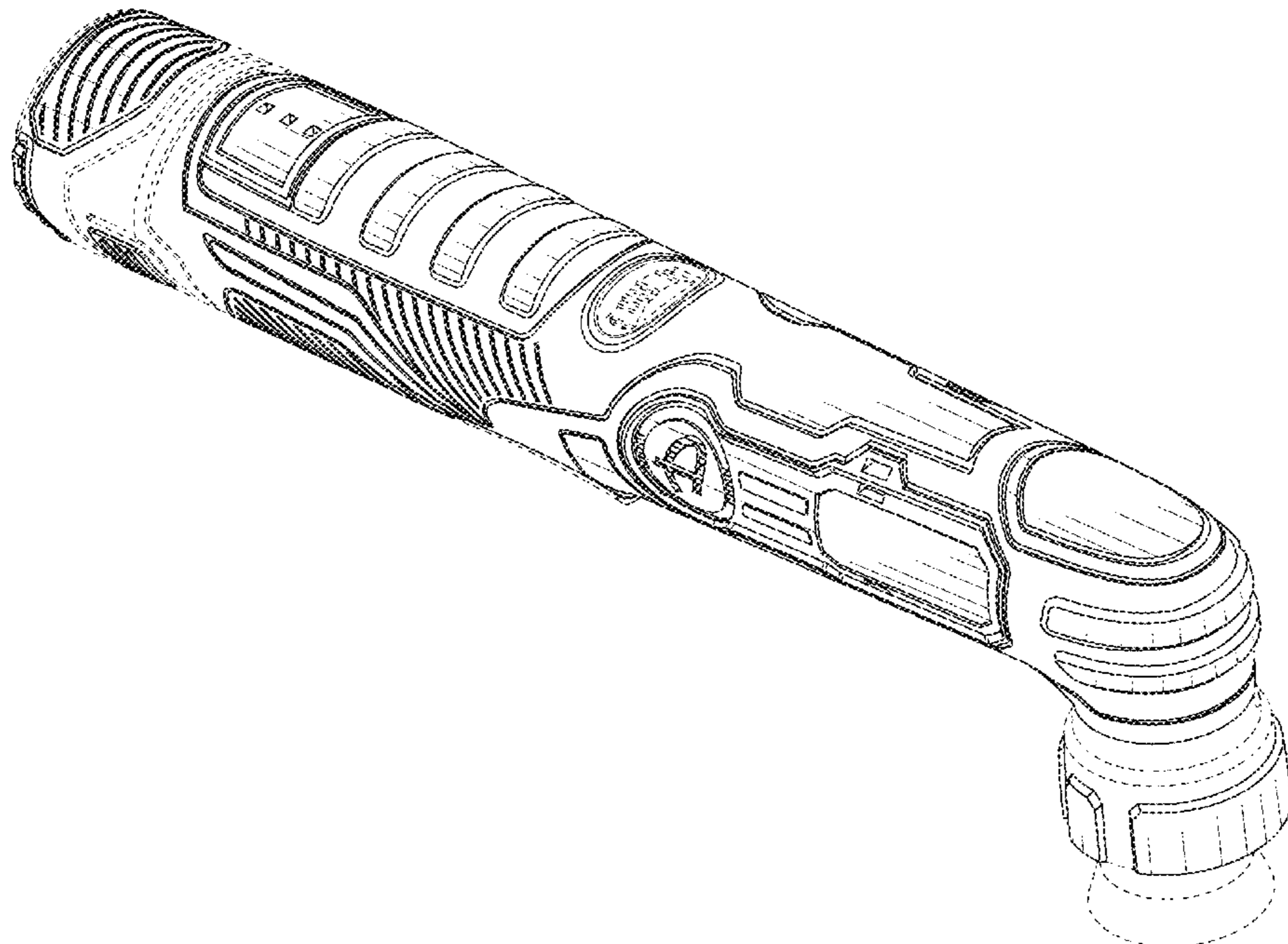
**U.S. PATENT DOCUMENTS**

- D587,080 S \* 2/2009 Rane ..... D8/61
- D658,464 S \* 5/2012 Kawase ..... D8/61
- D659,499 S \* 5/2012 Okuda ..... D8/61
- D682,649 S \* 5/2013 Aglassinger ..... D8/61
- D689,754 S \* 9/2013 Hayakawa ..... D8/61
- D712,225 S \* 9/2014 Larson ..... D8/70
- D718,108 S \* 11/2014 Beukema ..... D8/61
- D728,337 S \* 5/2015 Henssler ..... D8/61
- D786,643 S 5/2017 Valentini et al.
- 9,731,412 B2 8/2017 Valentini

**DESCRIPTION**

FIG. 1 is a perspective view of a micro polisher; FIG. 2 is a front view of the micro polisher in FIG. 1; FIG. 3 is a back view of the micro polisher in FIG. 1; FIG. 4 is a first side view of the micro polisher in FIG. 1; FIG. 5 is a second side view of the micro polisher in FIG. 1; FIG. 6 is a top view of the micro polisher in FIG. 1; and, FIG. 7 is a bottom of the micro polisher in FIG. 1.

**1 Claim, 5 Drawing Sheets**



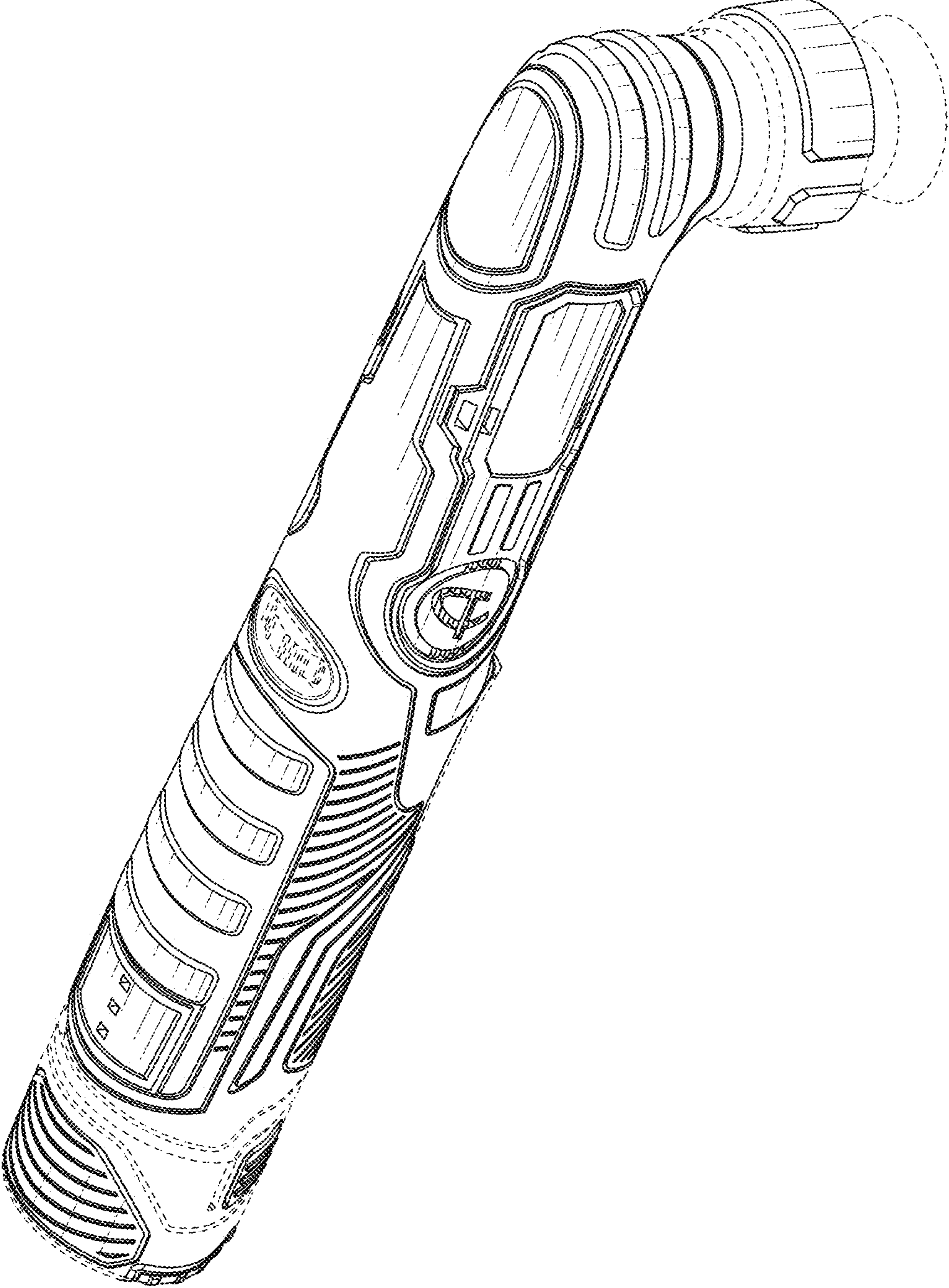


FIG. 1

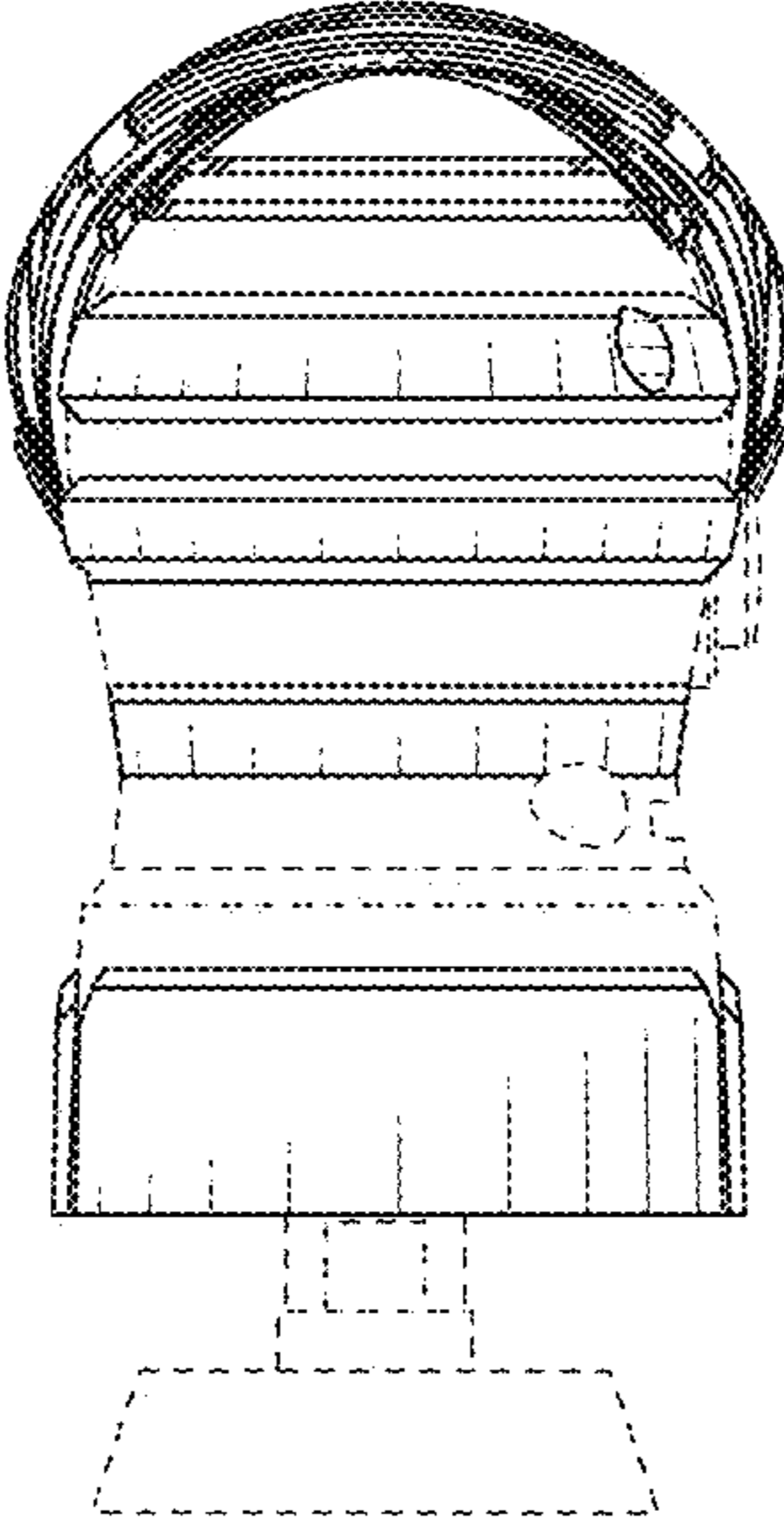


FIG. 2

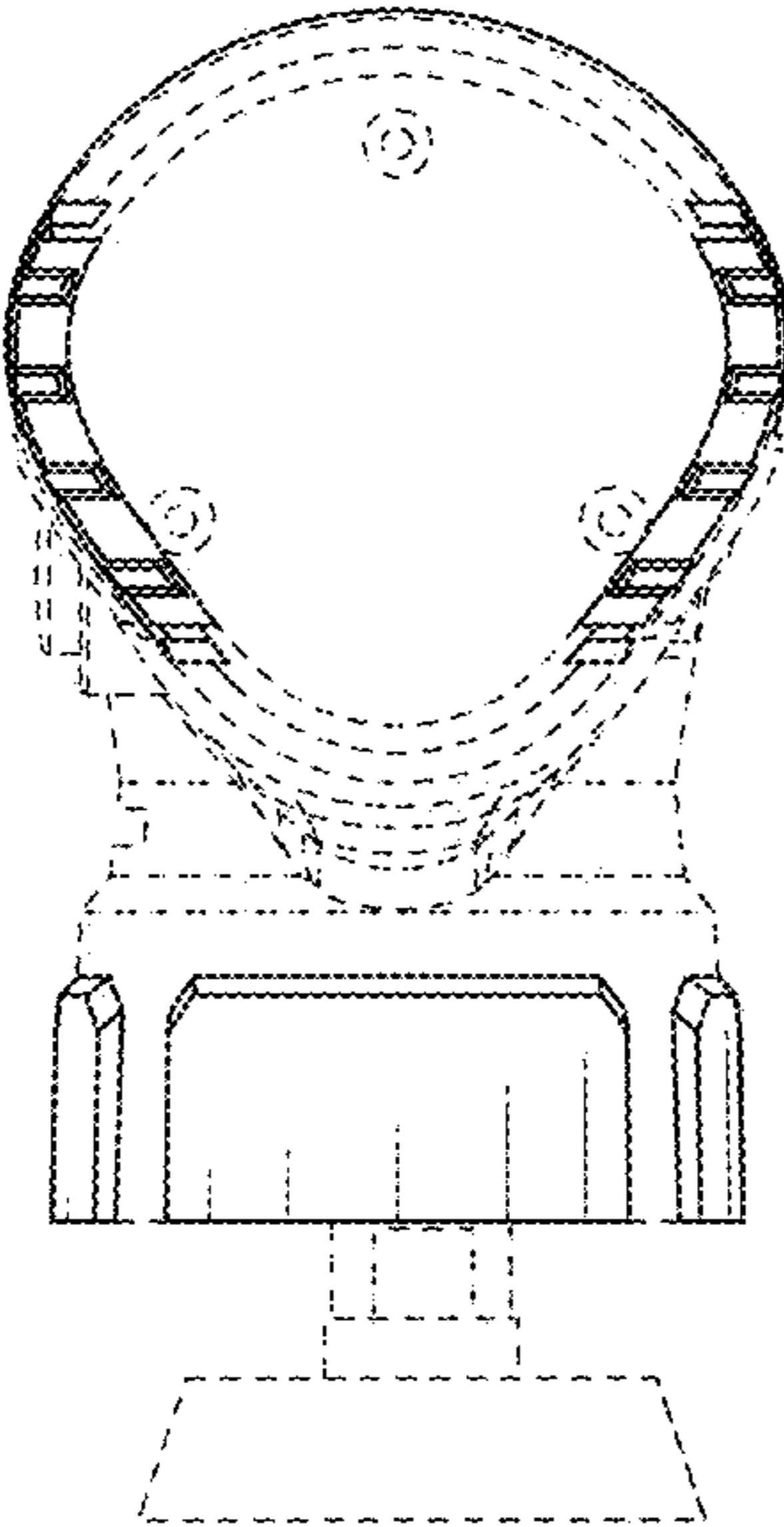


FIG. 3



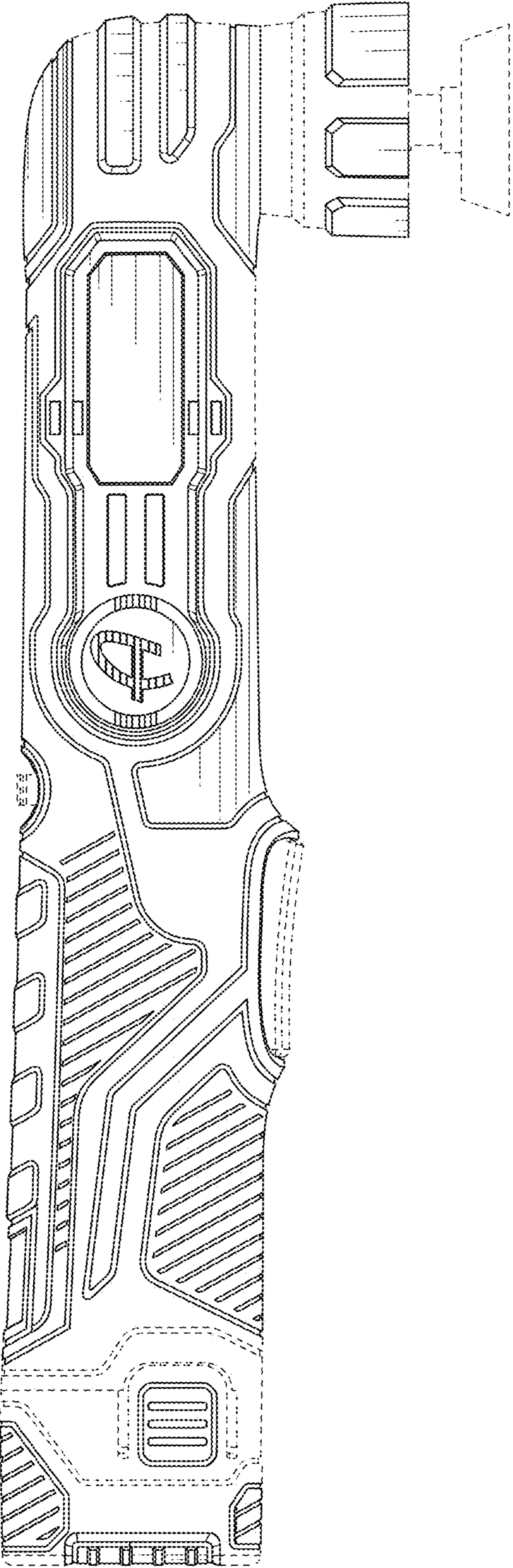


FIG. 4

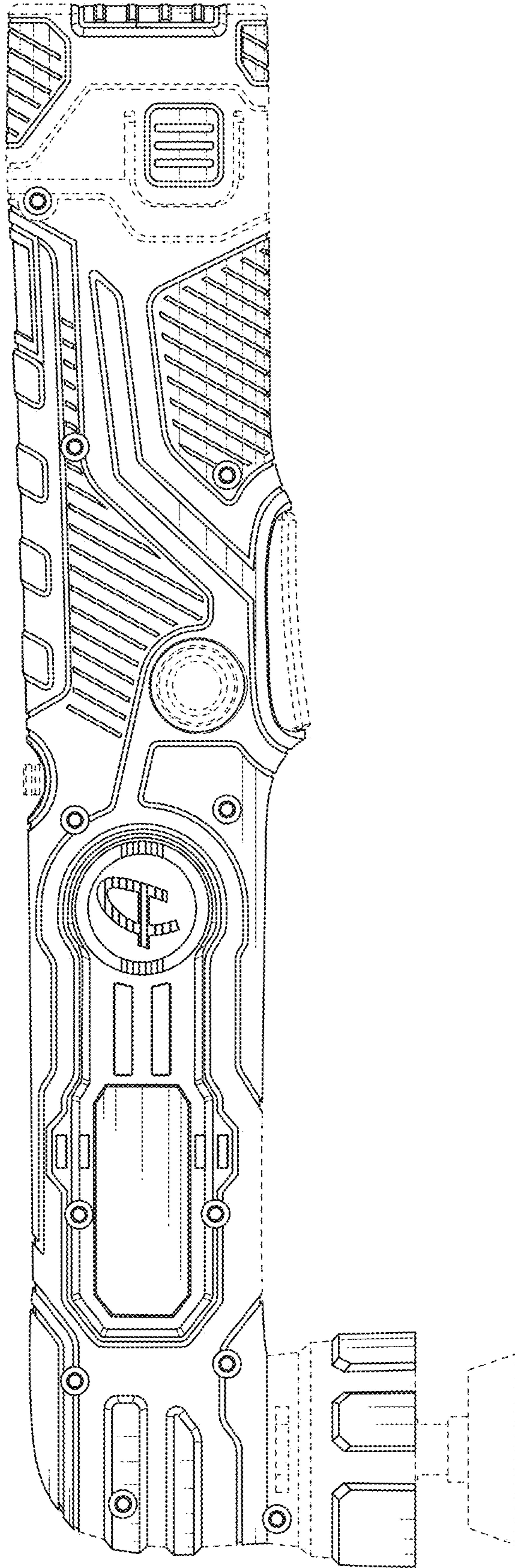


FIG. 5



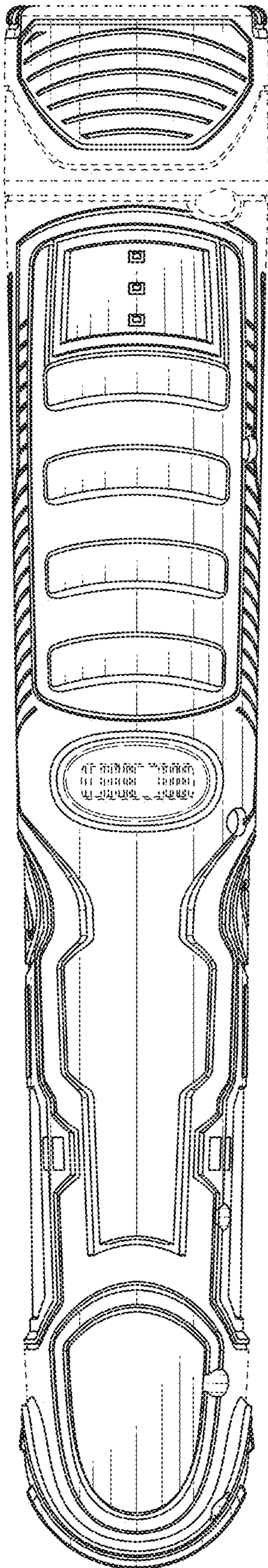


FIG. 6

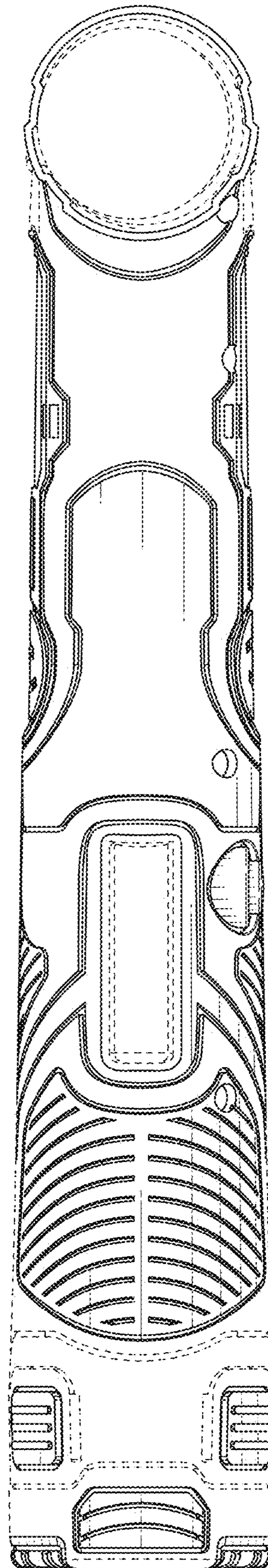


FIG. 7