



US00D932266S

(12) **United States Design Patent** (10) **Patent No.:** **US D932,266 S**
Lowe (45) **Date of Patent:** **** Oct. 5, 2021**

(54) **SCISSORS**

(71) Applicant: **Randall B. Lowe**, Mount Wolf, PA (US)

(72) Inventor: **Randall B. Lowe**, Mount Wolf, PA (US)

(**) Term: **15 Years**

(21) Appl. No.: **29/757,770**

(22) Filed: **Nov. 9, 2020**

(51) **LOC (13) Cl.** **08-03**

(52) **U.S. Cl.**
USPC **D8/57**

(58) **Field of Classification Search**
USPC D8/4, 5, 51-58
See application file for complete search history.

(56) **References Cited**

U.S. PATENT DOCUMENTS

D385,174 S *	10/1997	Kawai	D8/107
D453,459 S *	2/2002	Abubo	D8/57
D488,364 S *	4/2004	Wong	D8/57
D502,077 S *	2/2005	Hasegawa	D8/107
D611,793 S *	3/2010	Trewartha	D8/57
D612,696 S *	3/2010	Iwase	D8/57
8,176,638 B2 *	5/2012	Hann	B26B 13/20
				30/232
D678,020 S *	3/2013	Lipscomb	D8/57

D700,493 S *	3/2014	Roberts	D8/57
D754,507 S *	4/2016	Chang	D8/57
10,029,376 B2 *	7/2018	Soucie	B26B 13/20
D829,522 S *	10/2018	Noriyuki	D8/57
D835,957 S *	12/2018	Chang	D8/57
D860,743 S *	9/2019	Chang	D8/57

FOREIGN PATENT DOCUMENTS

GB	2456591 A *	7/2009	B26B 13/28
KR	101502886 B1 *	3/2015		

* cited by examiner

Primary Examiner — Deanna L Pratt

(74) *Attorney, Agent, or Firm* — Grandview Law

(57) **CLAIM**

The ornamental design for scissors, as shown and described.

DESCRIPTION

FIG. 1 is a perspective view of scissors showing our new design.

FIG. 2 is a rear view thereof.

FIG. 3 is a front view thereof.

FIG. 4 is a left side view thereof.

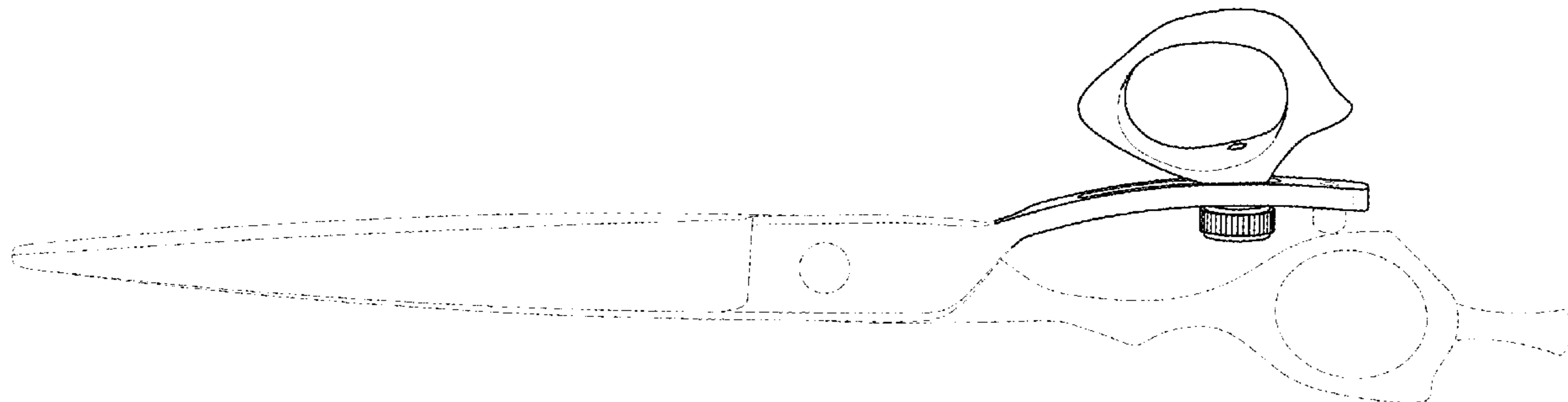
FIG. 5 is a right side elevational view thereof.

FIG. 6 is a top plan view thereof; and,

FIG. 7 is a bottom plan view thereof.

The features shown in broken lines in the drawing figures depict features that form no part of the claimed design.

1 Claim, 6 Drawing Sheets



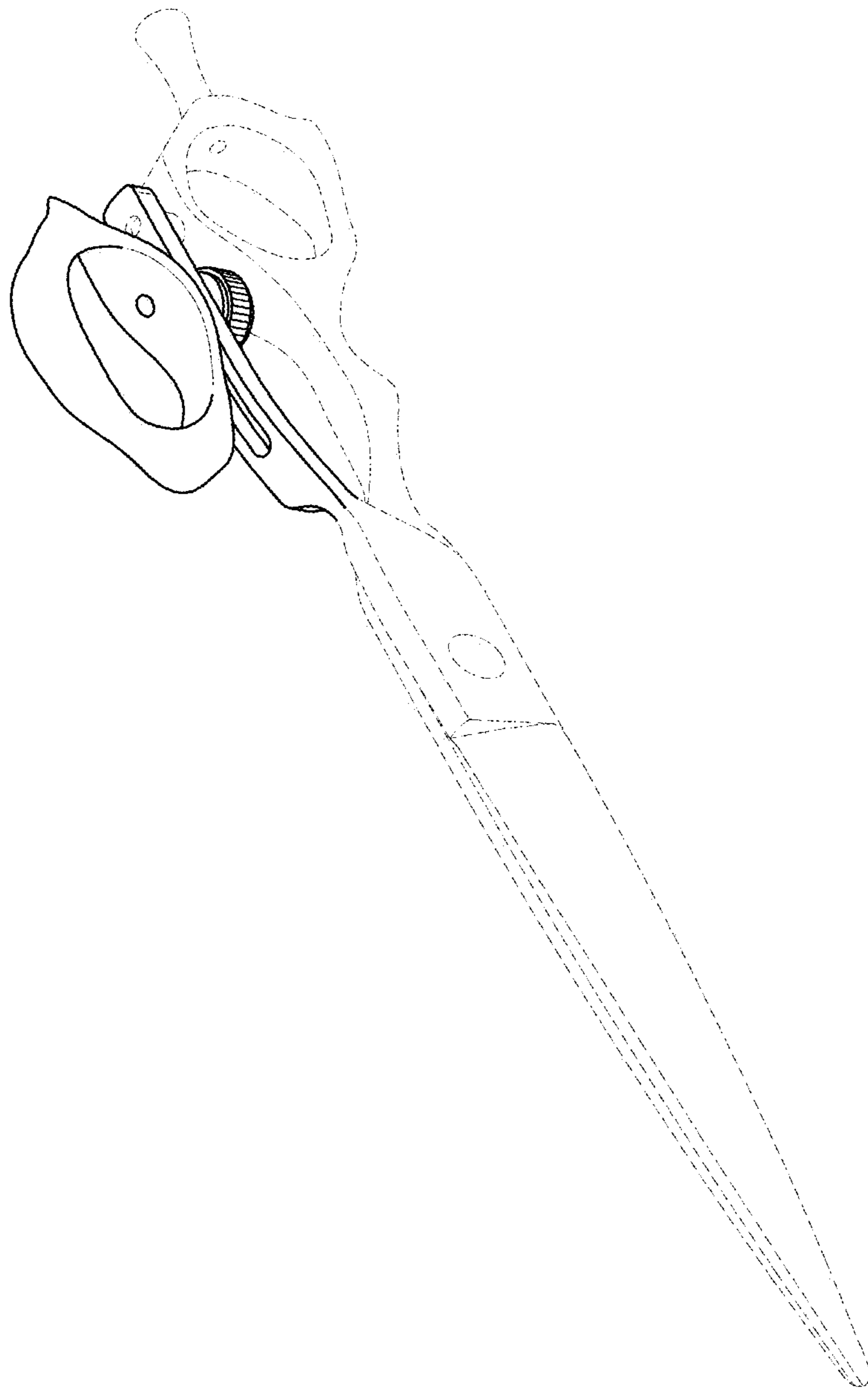


FIG. 1

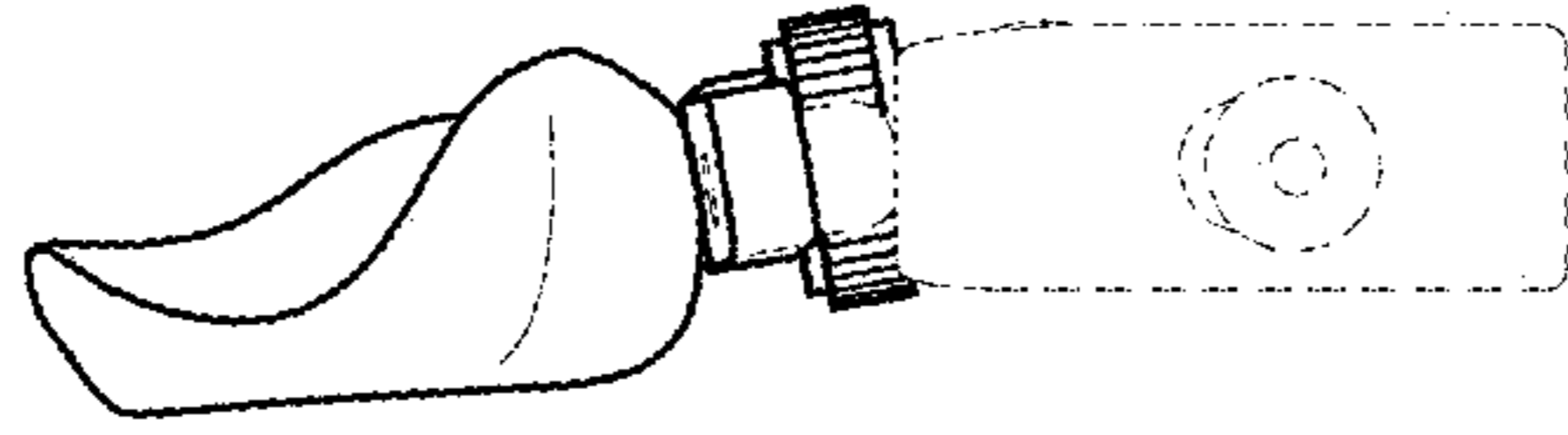


FIG. 3

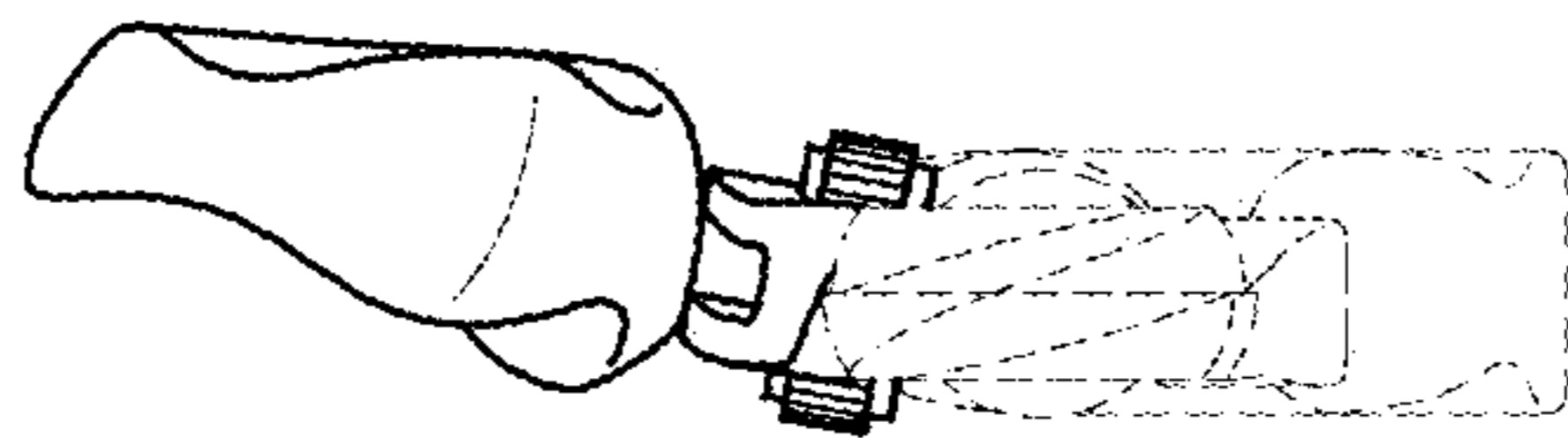


FIG. 2

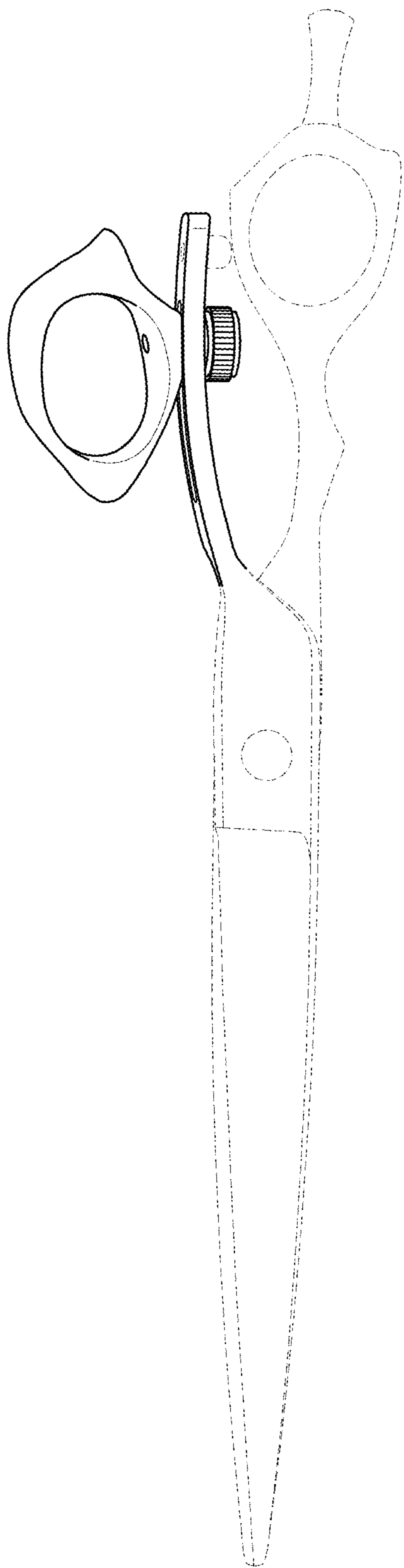


FIG. 4

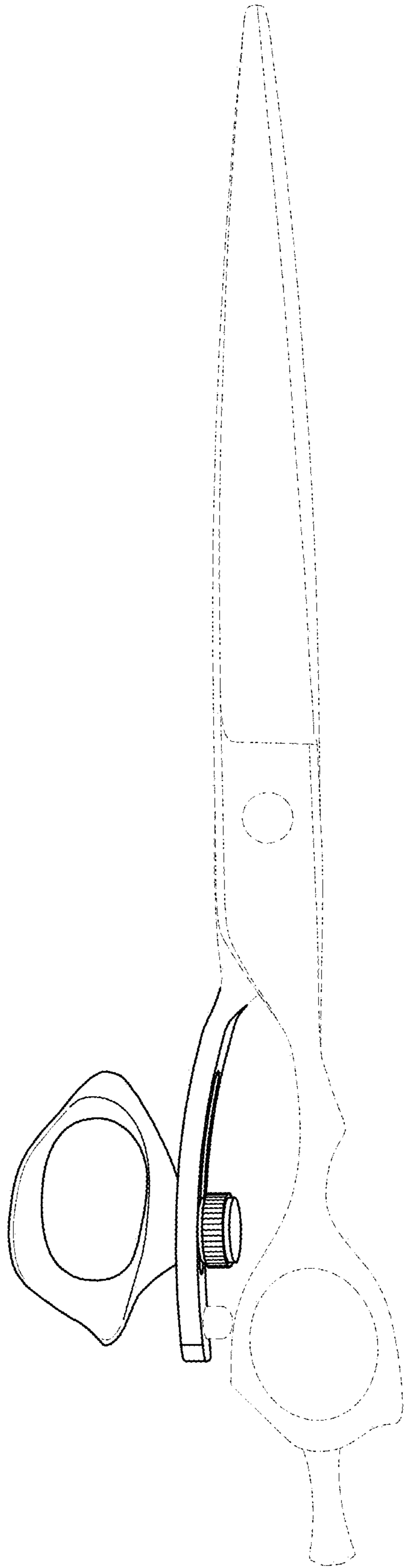


FIG. 5

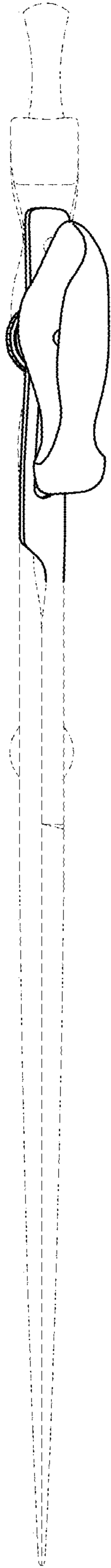


FIG. 6

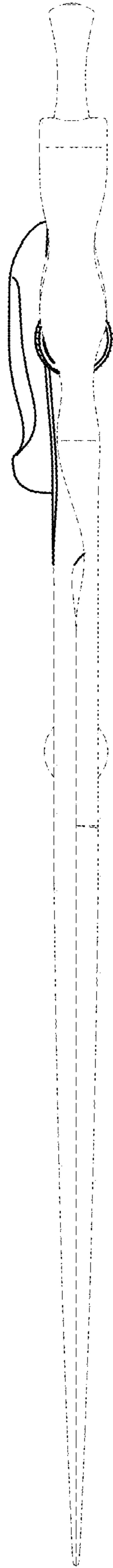


FIG. 7