



US00D932265S

(12) **United States Design Patent** (10) **Patent No.:** **US D932,265 S**
De Lay et al. (45) **Date of Patent:** **** Oct. 5, 2021**

- (54) **POWER TOOL**
- (71) Applicant: **Master Appliance Corporation,**
Racine, WI (US)
- (72) Inventors: **Daniel J. De Lay,** Muskego, WI (US);
Mark Brenneman, Burlington, WI
(US); **Steve Landowski,** Kenosha, WI
(US); **Nicholas Hirsch,** Wind Lake, WI
(US)
- (73) Assignee: **Master Appliance Corporation,**
Racine, WI (US)
- (**) Term: **15 Years**
- (21) Appl. No.: **29/738,398**
- (22) Filed: **Jun. 17, 2020**

Related U.S. Application Data

- (62) Division of application No. 29/660,302, filed on Aug. 20, 2018, now Pat. No. Des. 893,965.
- (51) **LOC (13) Cl.** **08-05**
- (52) **U.S. Cl.**
USPC **D8/29.1**
- (58) **Field of Classification Search**
USPC D8/29.1, 29.2, 30, 60, 68, 67; D28/13
CPC A45D 20/08; A45D 20/10; F24H 3/002;
F24H 3/0423
See application file for complete search history.

References Cited

U.S. PATENT DOCUMENTS

- D274,551 S 7/1984 Benjamin et al.
- D290,528 S * 6/1987 Muller D28/13
- D334,876 S 4/1993 Swetish
- D345,042 S * 3/1994 Montagnino D28/13
- 5,349,161 A 9/1994 Bockholt

- D353,224 S * 12/1994 Rizzuto, Jr. D28/13
 - 5,974,690 A * 11/1999 Canada A45D 20/12
34/329
 - 6,205,674 B1 * 3/2001 Kaizuka A45D 20/12
219/553
 - D493,372 S * 7/2004 Houlihan D10/30
 - D559,649 S * 1/2008 Ahn D8/70
 - D613,569 S 4/2010 Steinel
- (Continued)

OTHER PUBLICATIONS

Master Appliance, "Master Heat Guns & Kits," <<https://www.masterappliance.com/master-heat-guns-kits/>> website publicly available at least as early as Oct. 23, 2017.

(Continued)

Primary Examiner — Philip S Hyder

(74) *Attorney, Agent, or Firm* — Boyle Fredrickson, SC

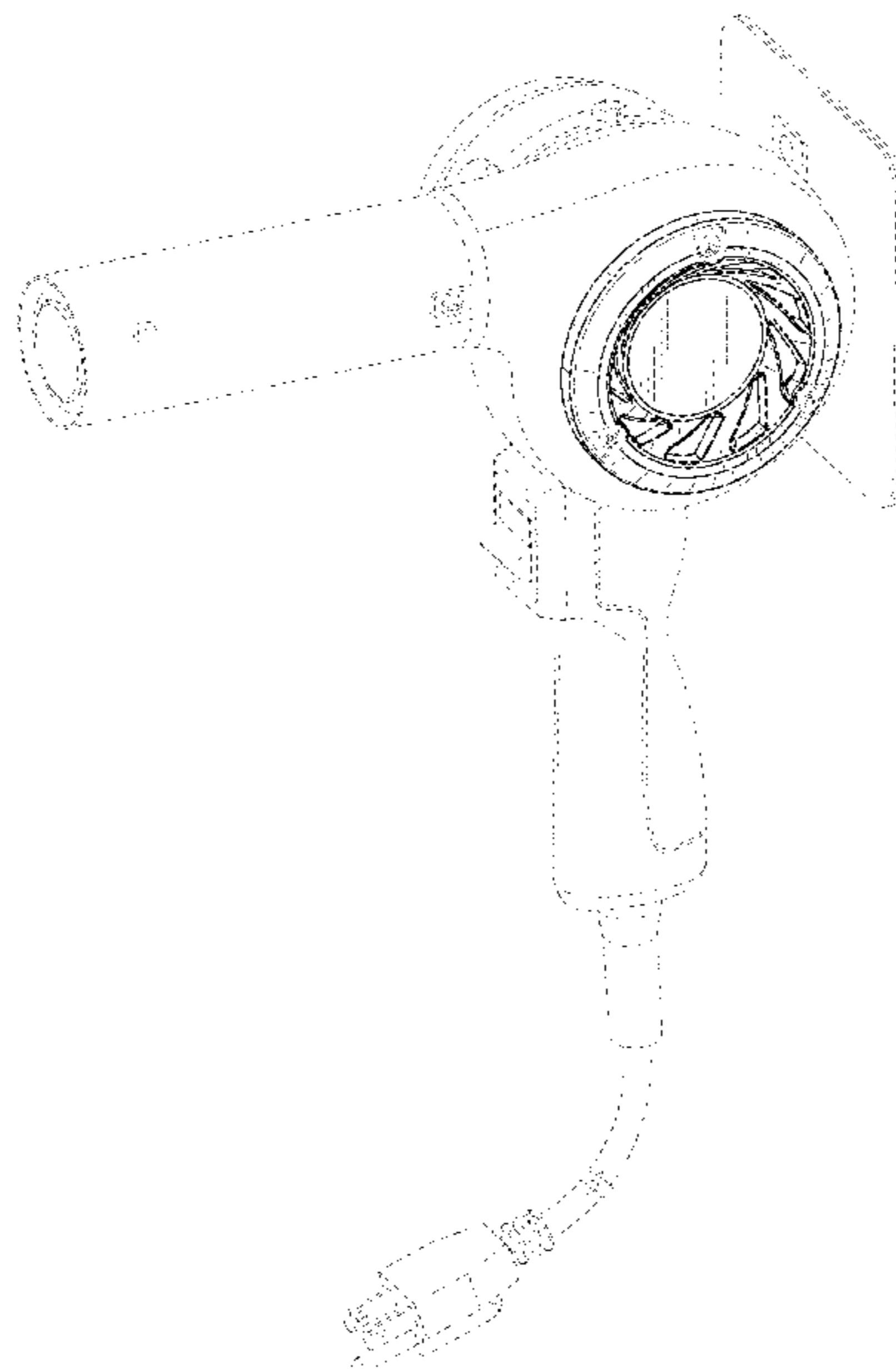
(57) **CLAIM**

We claim the ornamental design for a power tool, as shown and described.

DESCRIPTION

FIG. 1 is a right side perspective view of a power tool.
 FIG. 2 is a left side perspective view of the power tool shown in FIG. 1.
 FIG. 3 is a front view of the power tool shown in FIG. 1.
 FIG. 4 is a rear view of the power tool shown in FIG. 1.
 FIG. 5 is a left side view of the power tool shown in FIG. 1.
 FIG. 6 is a right side view of the power tool shown in FIG. 1.
 FIG. 7 is a top view of the power tool shown in FIG. 1; and,
 FIG. 8 is a bottom view of the power tool shown in FIG. 1.
 The broken lines having equal segments represent portions of the article that form no part of the claimed design.

1 Claim, 6 Drawing Sheets



(56)

References Cited

U.S. PATENT DOCUMENTS

8,424,543 B2 * 4/2013 Lombardi A45D 20/08
132/271
D709,745 S 7/2014 Radwill et al.
D710,165 S 8/2014 Radwill et al.
D765,966 S * 9/2016 Dandachli D3/211
D775,417 S * 12/2016 Cho D28/13
D785,926 S * 5/2017 Dandachli D3/211
D793,452 S * 8/2017 Regnier D15/5
D807,024 S * 1/2018 Dandachli D3/211
D893,965 S * 8/2020 De Lay D8/29.1
D914,973 S * 3/2021 Huang D28/13
D919,884 S * 5/2021 Huang D28/13
2008/0181590 A1 7/2008 Radwill et al.

OTHER PUBLICATIONS

Master Appliance, "Varitemp Heat Guns & Heat Gun Kit," <<https://www.masterappliance.com/varitemp-heat-guns-heat-gun-kit/>> website publicly available at least as early as Jun. 15, 2017.

* cited by examiner

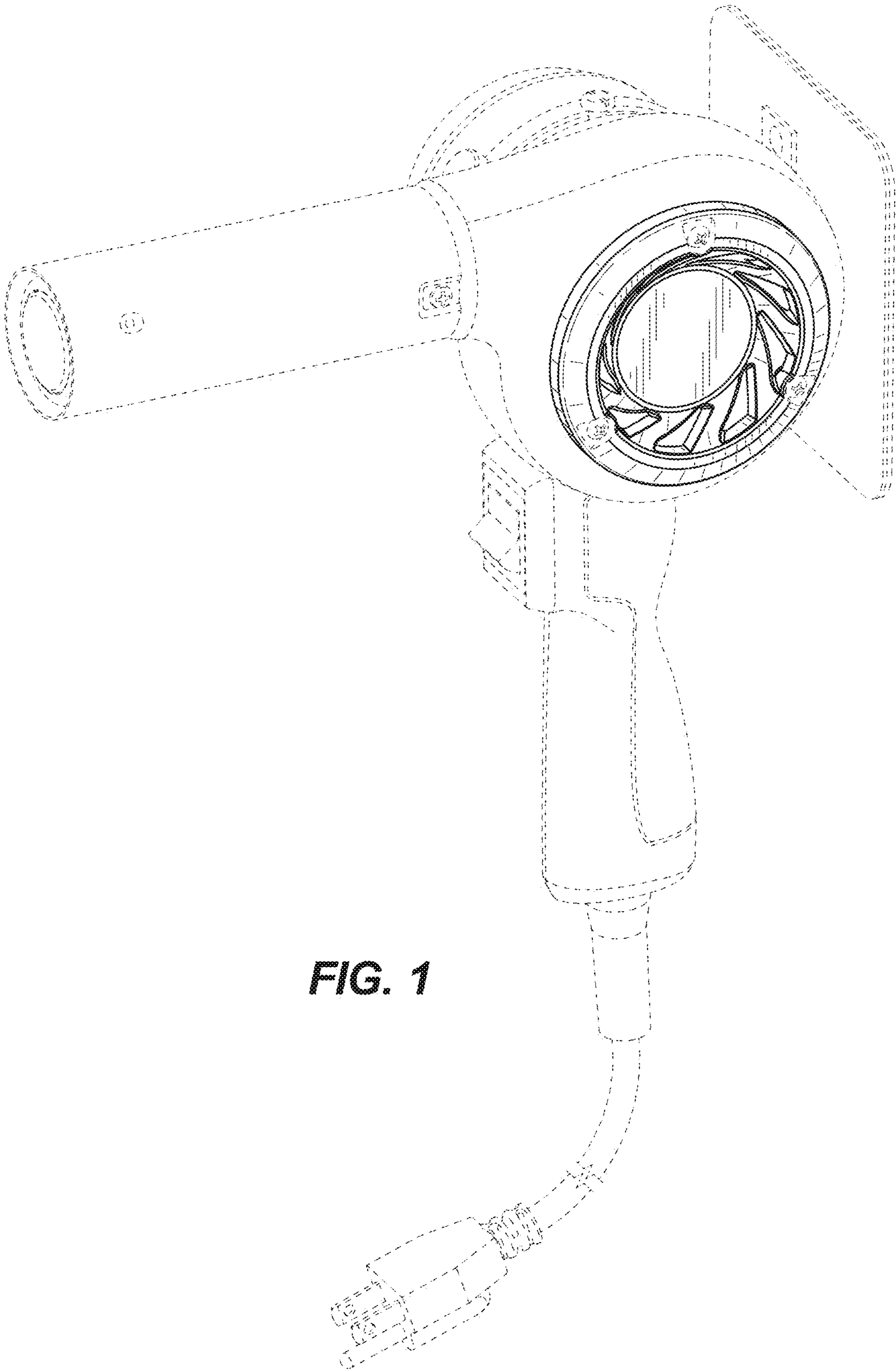


FIG. 1

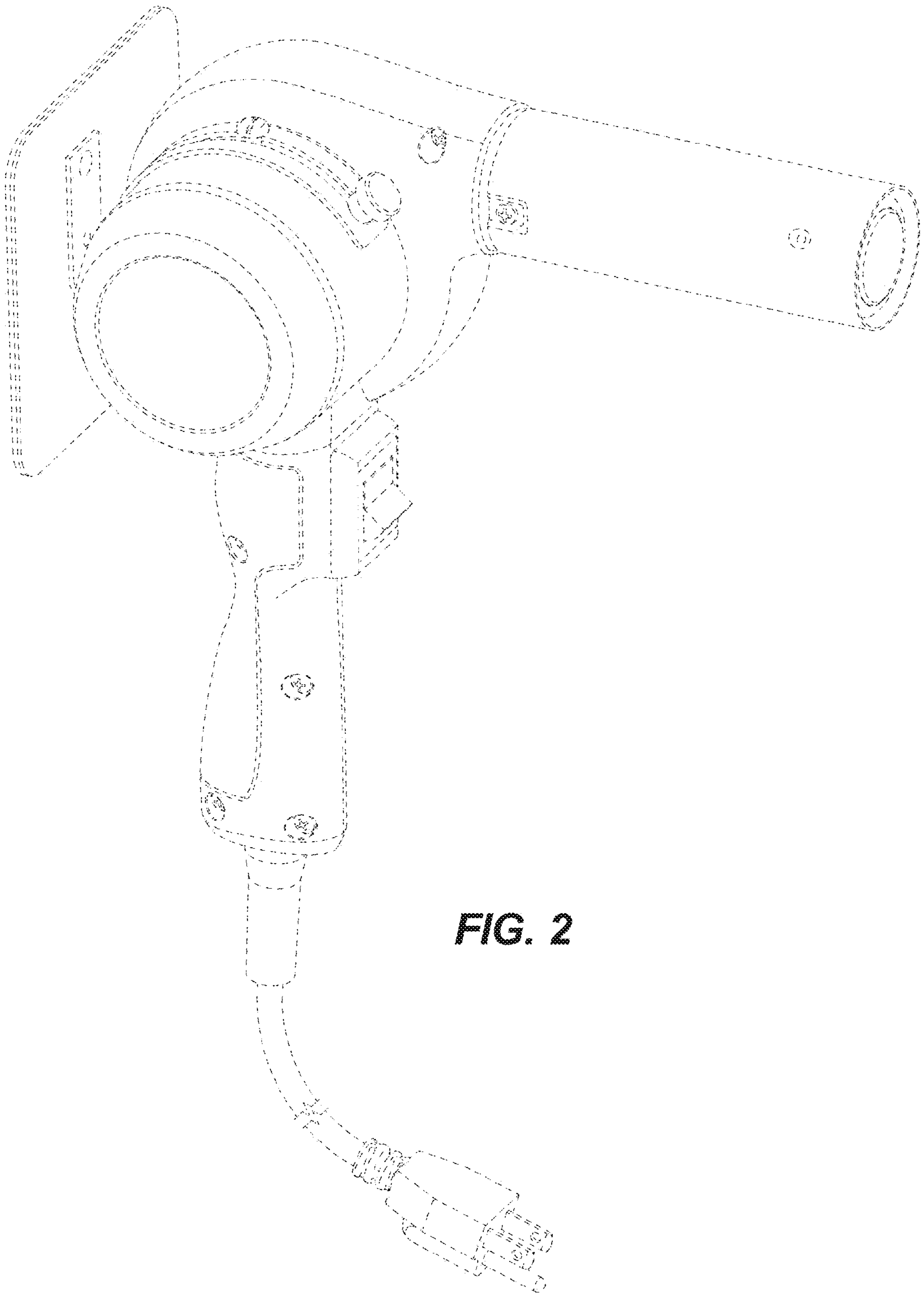


FIG. 2

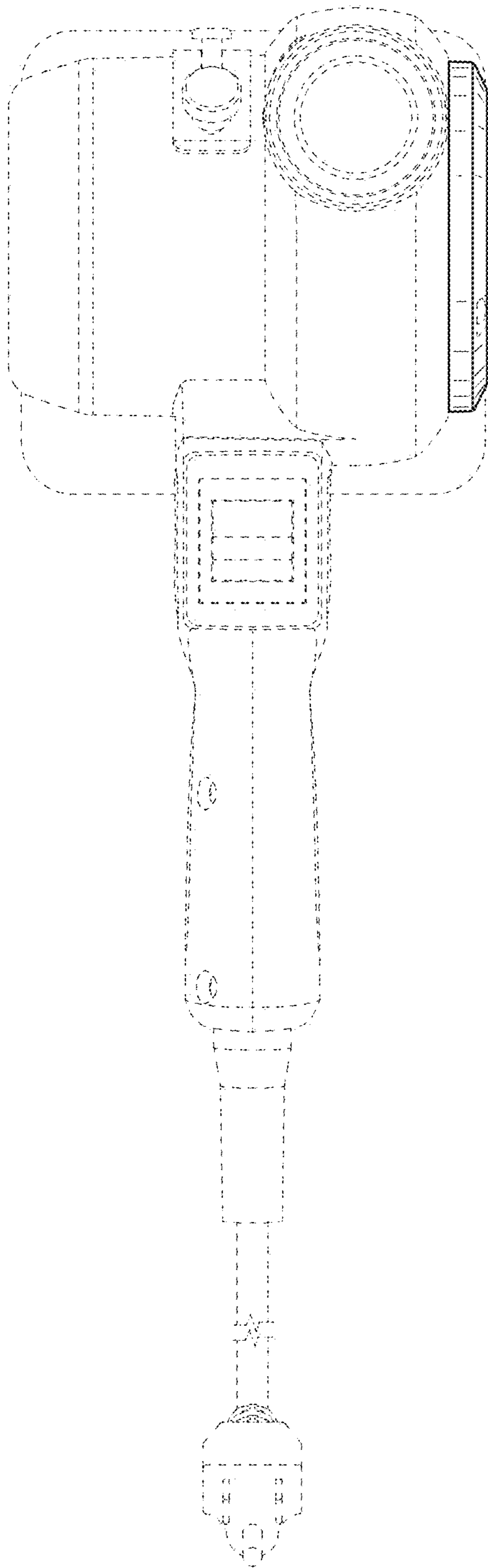


FIG. 3

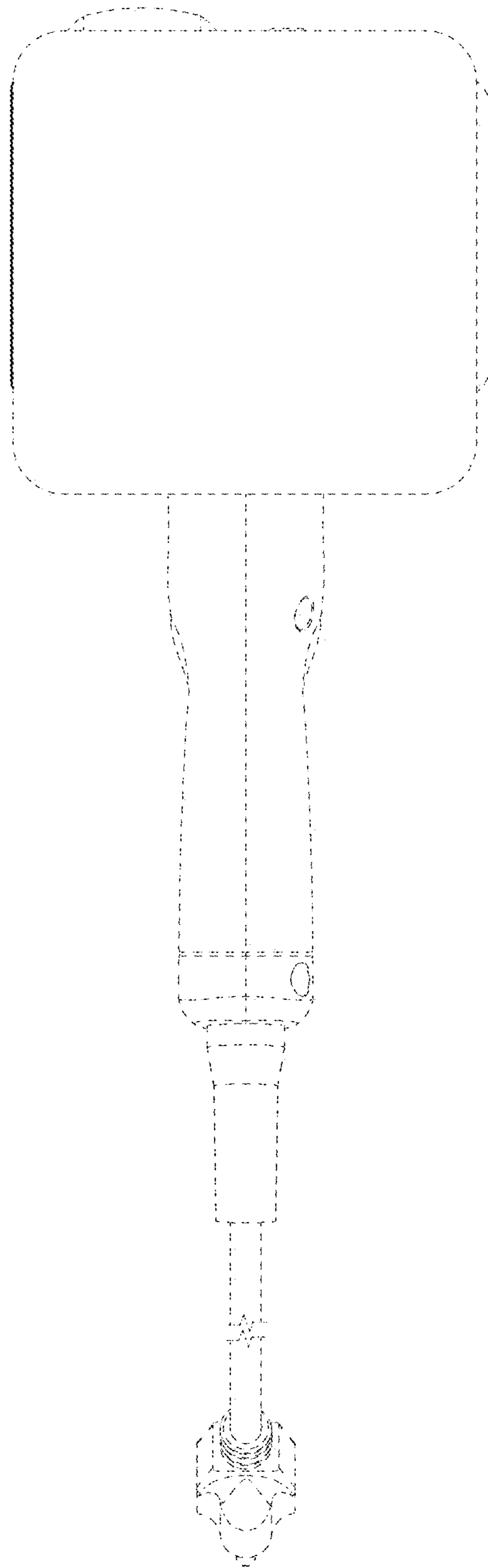


FIG. 4

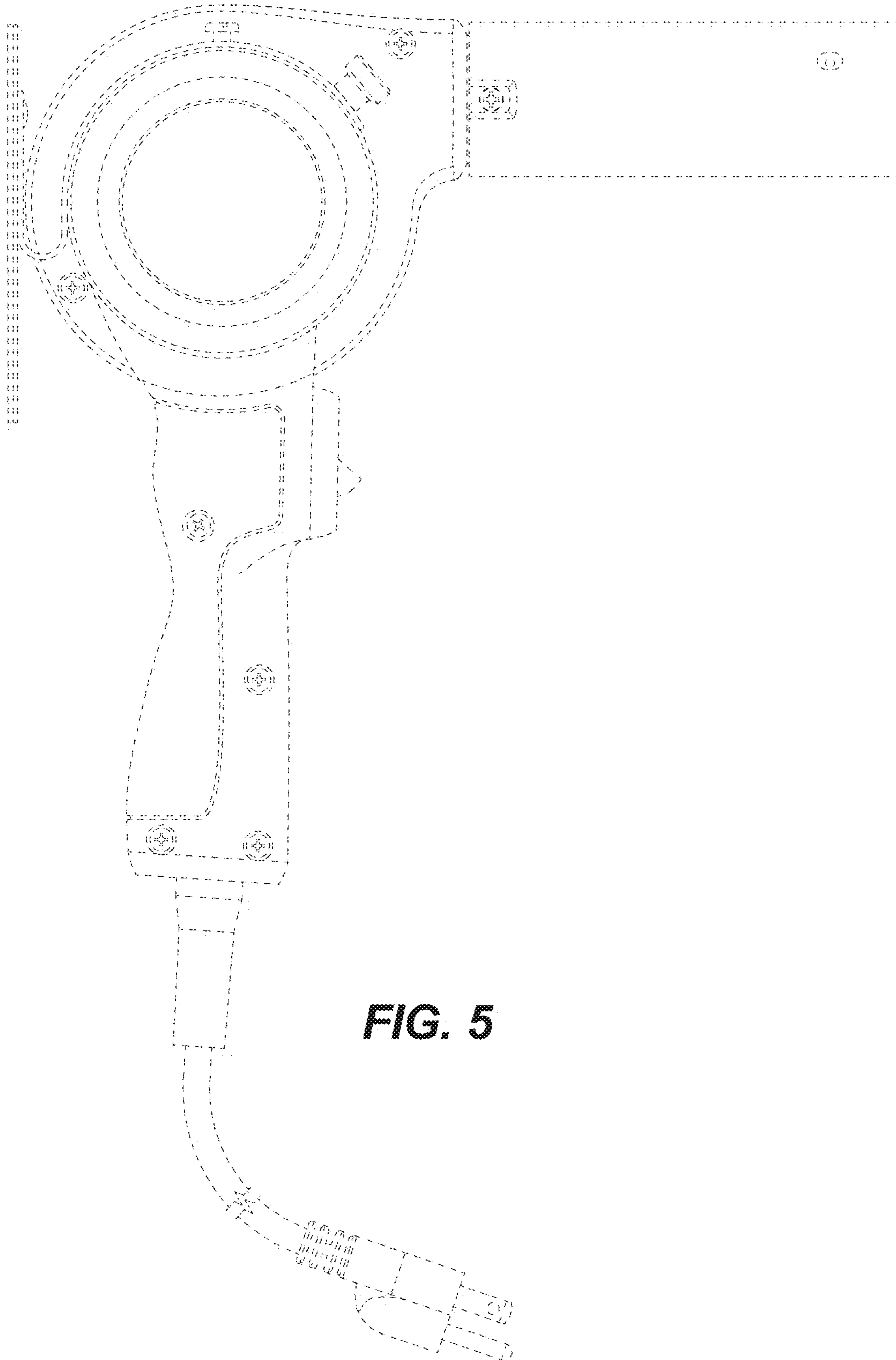


FIG. 5

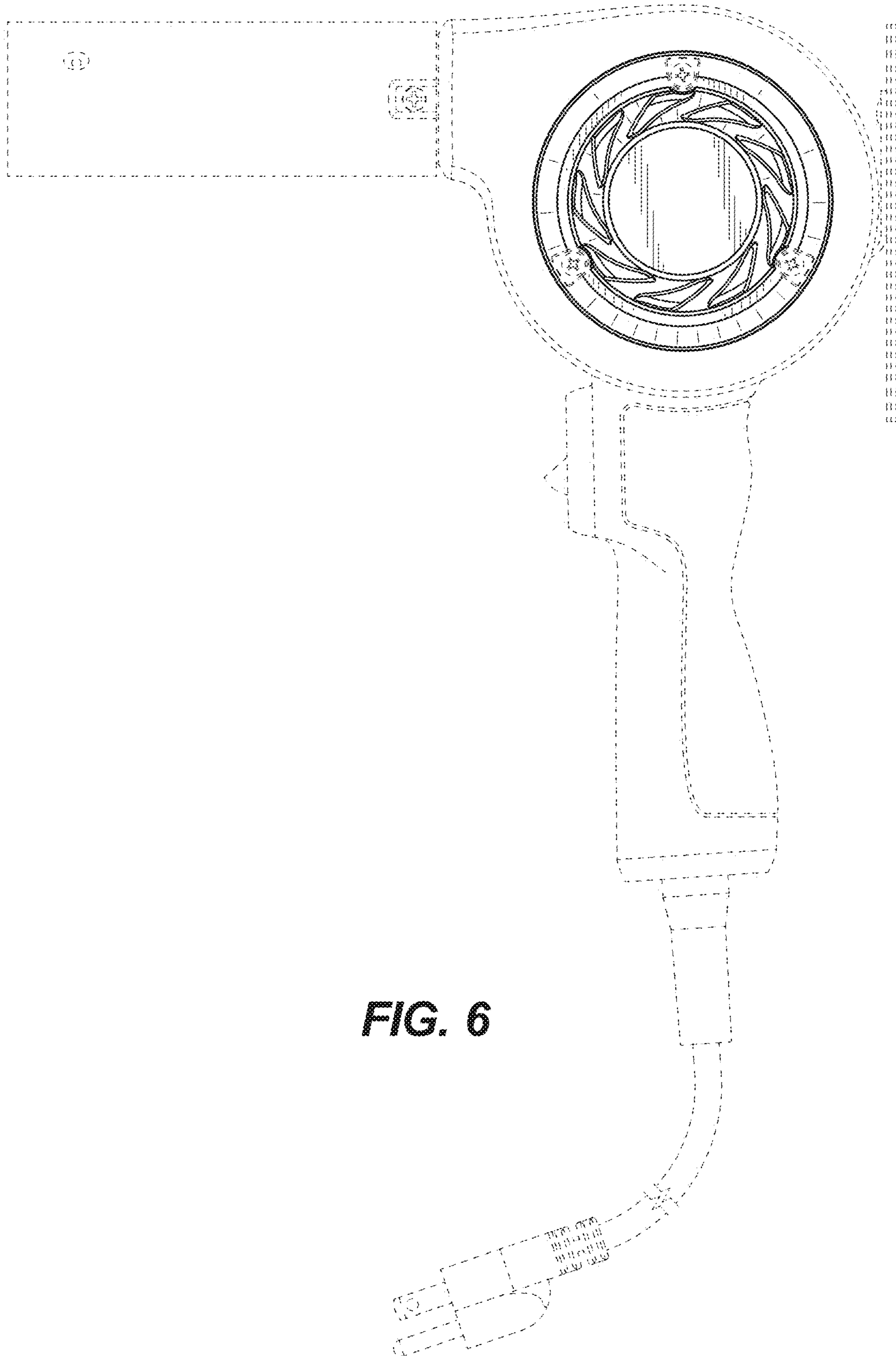


FIG. 6

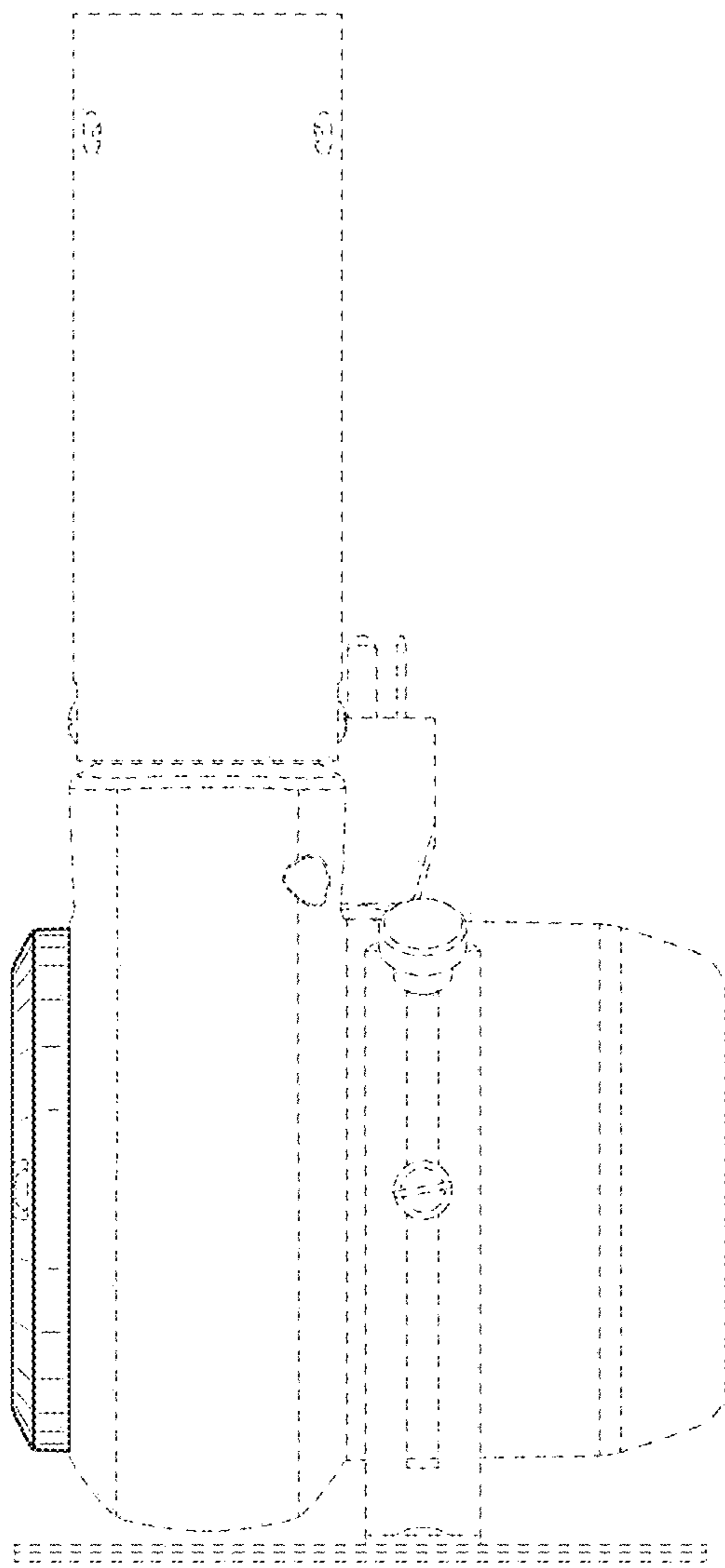


FIG. 7

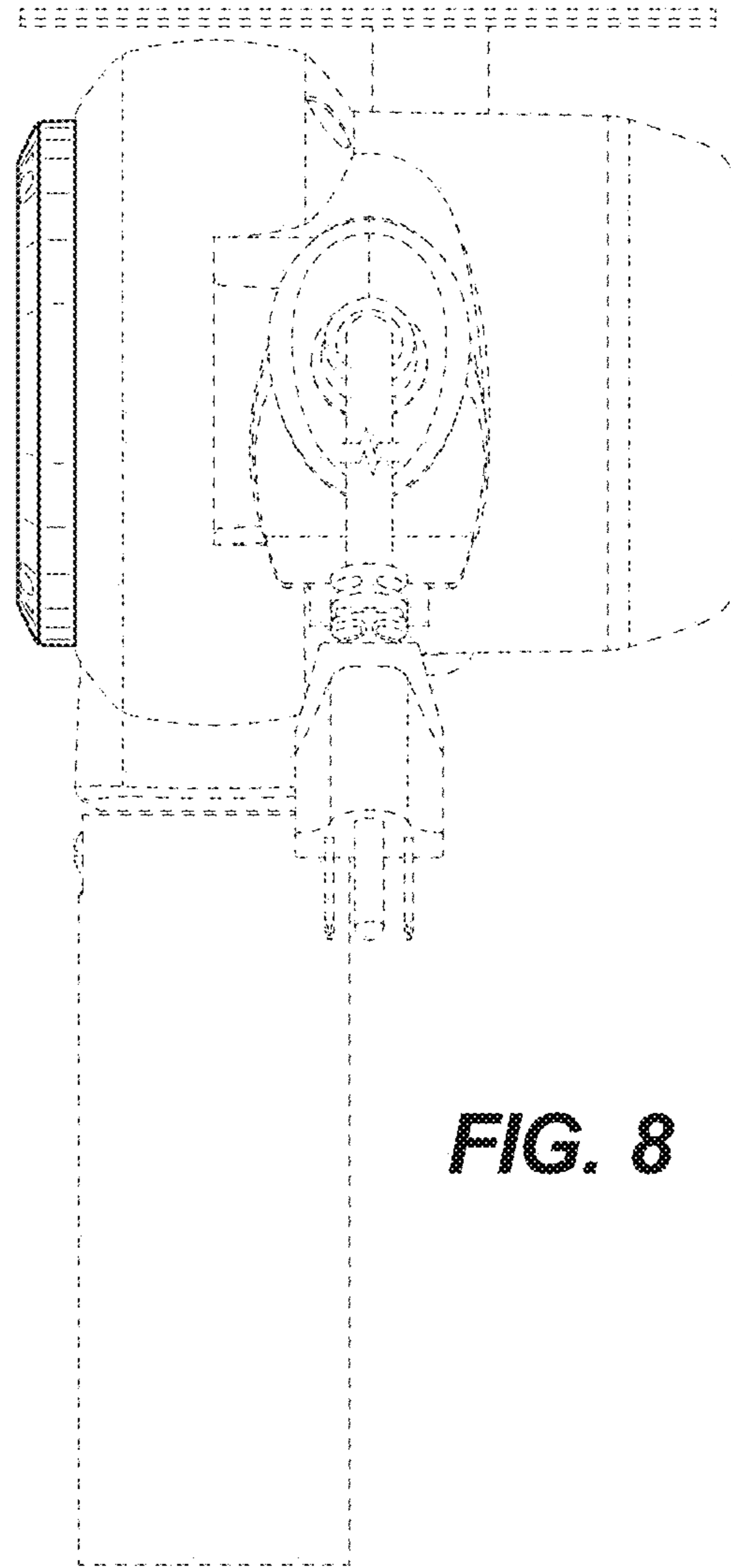


FIG. 8