



US00D932263S

(12) **United States Design Patent**
Leighton

(10) **Patent No.:** **US D932,263 S**
(45) **Date of Patent:** **** Oct. 5, 2021**

(54) **EXTENSIBLE GAS VALVE KEY**

FOREIGN PATENT DOCUMENTS

(71) Applicant: **Joe Leighton & Associates, Inc.**,
Corona, CA (US)

CN 306208734 * 6/2020
CN 306486120 * 12/2020
EM 002243352-0003 * 5/2013

(72) Inventor: **Lisa Leighton**, Corona, CA (US)

OTHER PUBLICATIONS

(73) Assignee: **Joe Leighton & Associates, Inc.**,
Corona, CA (US)

Midwest Hearth Store, Gas Fire Pit Key Valve, [online]retrieved
May 25, 2021,available from https://www.amazon.com/Midwest-Hearth-Key-Valve-Kit/dp/B071VN34RW/ref=sr_1_22?dchild=1&keywords=gas+key+valve&qid=1622049078&sr=8-22 (Year: 2021).*

(**) Term: **15 Years**

(Continued)

(21) Appl. No.: **29/716,747**

Primary Examiner — Keli L Hill

(22) Filed: **Dec. 11, 2019**

Assistant Examiner — Sara S Sahneh

(51) **LOC (13) Cl.** **08-05**

(74) *Attorney, Agent, or Firm* — Stetina Brunda Garred &
Brucker

(52) **U.S. Cl.**

USPC **D8/21**; D8/14

(58) **Field of Classification Search**

USPC D8/14, 16, 17, 21–29

CPC B25B 23/16; B25B 13/481; B25B 13/06;

B25B 23/0035; B25B 13/48; B25B 13/14;

B25B 13/04; B25B 13/46; B25B 13/00;

B25B 7/02; B25B 13/16; B25B 13/505;

B25B 13/5058; B25B 23/0007; B25B

13/28; B25B 23/147; B25B 13/08; B25B

13/56; B25B 13/065; B25B 13/465; B25B

13/463; B25G 1/04

See application file for complete search history.

(57) **CLAIM**

The ornamental design for an extensible gas valve key, as
shown and described.

DESCRIPTION

FIG. 1 is a front perspective view of the extensible gas valve
key of the present invention showing the same in an
extended configuration;

FIG. 2 is a top view thereof;

FIG. 3 is a front elevational view thereof;

FIG. 4 is a left side view thereof;

FIG. 5 is a right side view thereof;

FIG. 6 is a rear view thereof;

FIG. 7 is a bottom view thereof;

FIG. 8 is a front perspective view depicting the extensible
gas valve key of the present invention in a contracted
orientation;

FIG. 9 is a top plan view thereof; and,

FIG. 10 is a front elevational view thereof.

The broken lines shown are included for the purpose of
illustrating portions of the extensible gas valve key that form
no part of the claim.

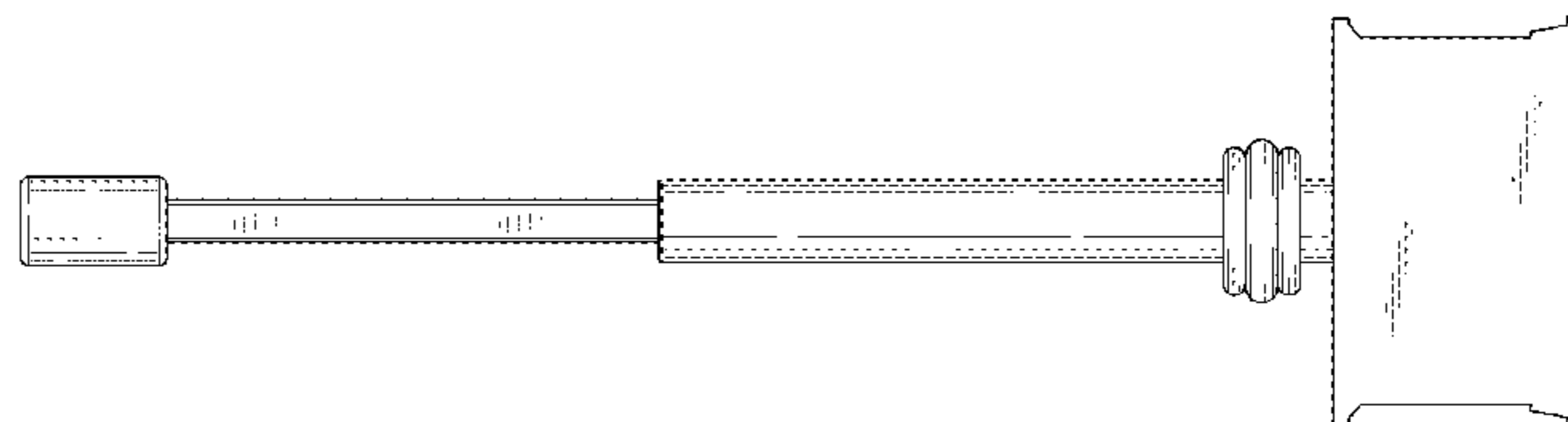
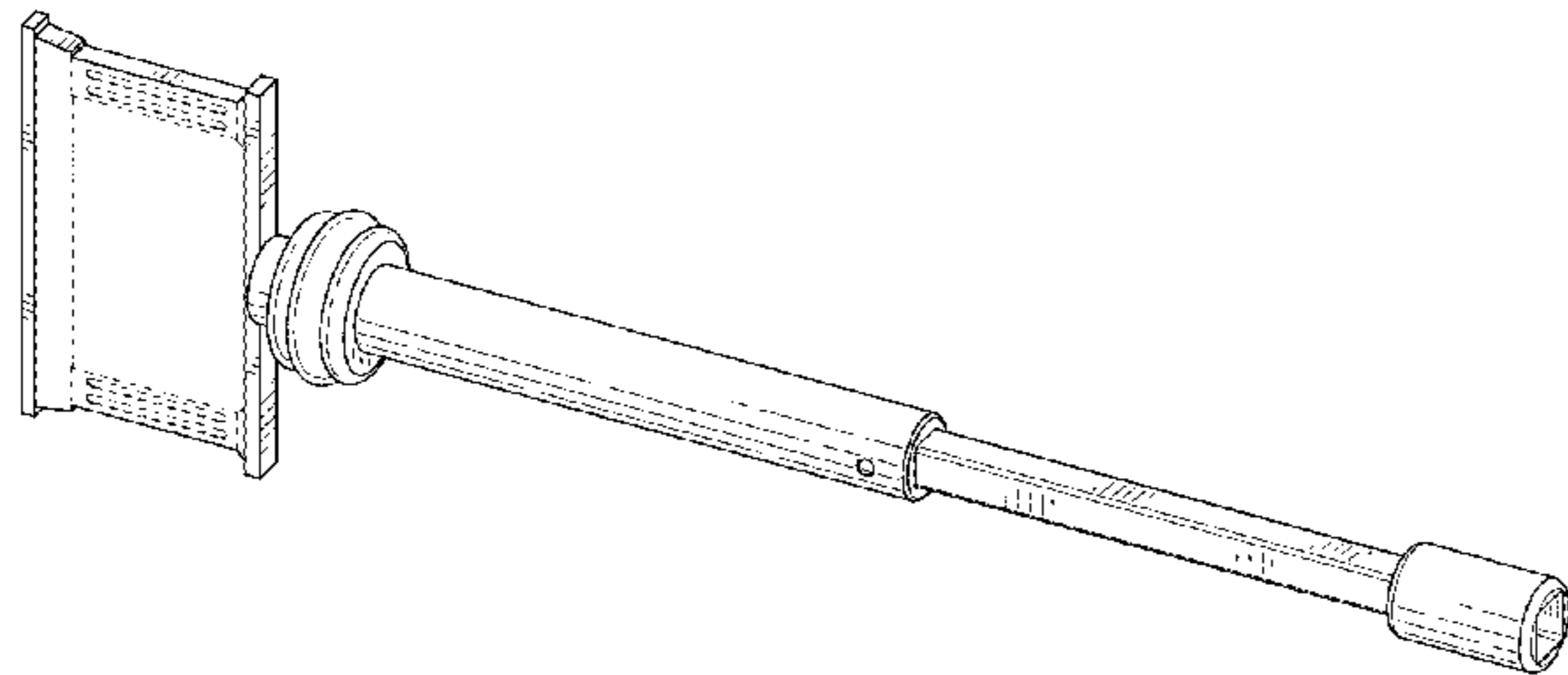
(56) **References Cited**

U.S. PATENT DOCUMENTS

1,202,601 A 10/1916 Snyder
2,051,953 A 8/1936 Leathers
2,054,978 A 9/1936 Hoelscher
2,156,984 A 5/1939 Haupt
D192,653 S * 4/1962 Madeira D8/21
3,877,327 A 4/1975 Erm
4,376,397 A 3/1983 Newby et al.
4,542,666 A 9/1985 White

(Continued)

1 Claim, 3 Drawing Sheets



(56)

References Cited

U.S. PATENT DOCUMENTS

4,905,548 A 3/1990 Colace et al.
 5,138,911 A 8/1992 Lan
 5,269,589 A 12/1993 Brothers et al.
 5,462,380 A 10/1995 Peek et al.
 D387,255 S * 12/1997 Rhoton D8/21
 D392,526 S * 3/1998 Nicely D8/25
 5,778,914 A 7/1998 Trani
 5,813,296 A 9/1998 Hoff et al.
 5,911,523 A 6/1999 Burchart
 6,131,604 A 10/2000 Harriss
 6,176,160 B1 1/2001 Ruhlander et al.
 6,269,717 B1 8/2001 Bollinger
 7,055,412 B2 6/2006 Leighton
 D546,149 S * 7/2007 Chen D8/27
 D608,169 S * 1/2010 Johnson D8/21
 D719,421 S * 12/2014 Elder D8/14
 D764,244 S * 8/2016 Brock B25J 1/04
 D8/14
 9,427,854 B2 8/2016 Leighton
 2005/0139042 A1 * 6/2005 Leighton B25B 13/48
 81/124.4
 2011/0030146 A1 * 2/2011 Wu B25G 1/085
 7/138
 2011/0146452 A1 * 6/2011 Maegli B25B 13/48
 81/3.09

2012/0073408 A1 * 3/2012 Leighton B25B 23/16
 81/177.2
 2015/0047473 A1 * 2/2015 Ryans B25B 13/463
 81/63.1
 2017/0232585 A1 * 8/2017 Stumer B25B 13/06
 81/125

OTHER PUBLICATIONS

Canterbury, Blue Flame Universal, Date first available Dec. 11, 2014, [online]retrieved May 26, 2021,available from https://www.amazon.com/Blue-Flame-Universal-Key-Chrome/dp/B00QW4E0ZE/ref=sr_1_73?dchild=1&keywords=gas+key+valve&qid=1622049446&sr=8-7 (Year: 2014).*

Complaint for Patent Infringement and Exhibits 1-5; *Joe Leighton & Associates, Inc. dba Canterbury Enterprises v. Imperial Sheet Metal Ltd.*; Case CV07-04257; 22 pages (Jun. 28, 2007).

Complaint for Patent Infringement and Exhibits 1-3; *Joe Leighton & Associates, Inc. dba Canterbury Enterprises v. Log Lighter Sales, Inc.*; CaseCV07-04254; 20 pages (Jun. 28, 2007).

Website: www.cjshomedecor.com; shut-off valves. (2 pages), Feb. 13, 2004.

Website: www.stonemfg.com; "Fireplace Gas Keys and Valve Covers" (3 pages), Feb. 13, 2004.

* cited by examiner

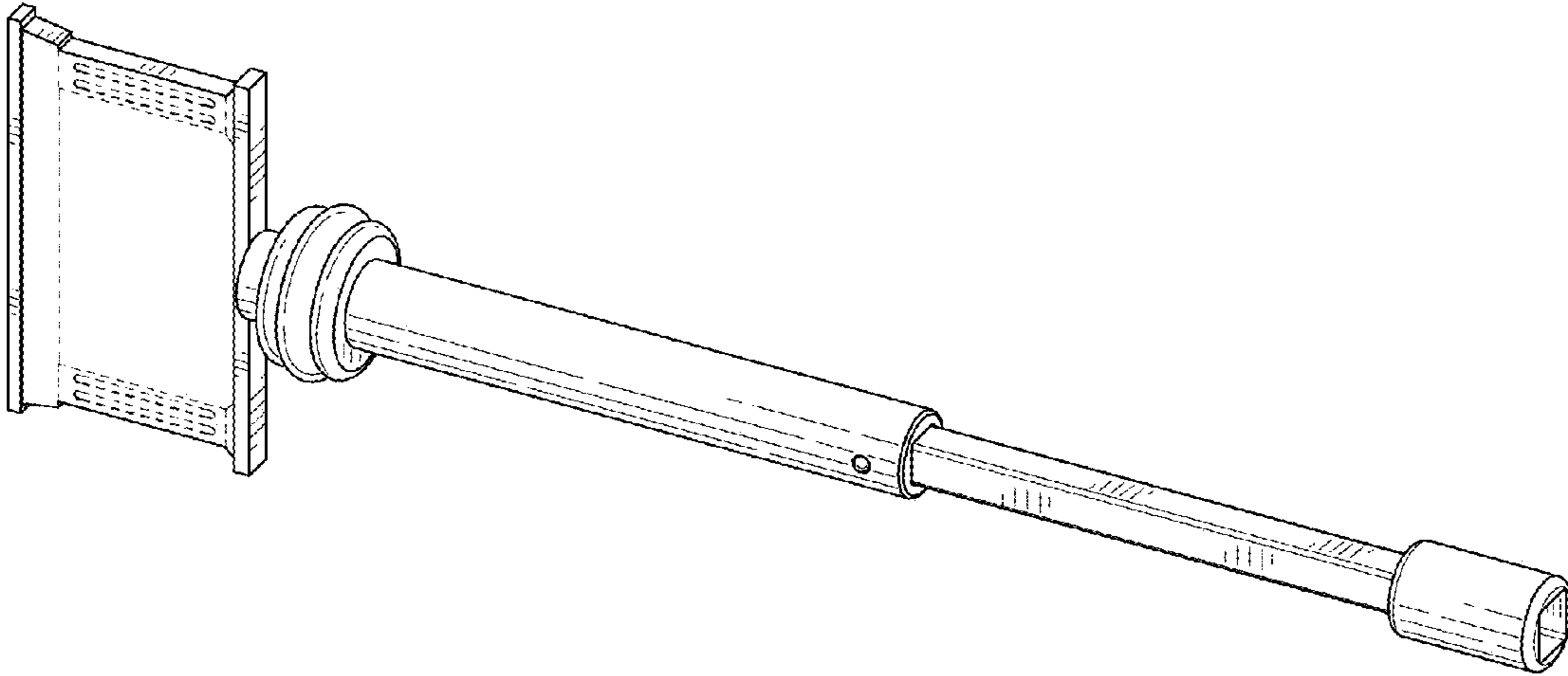


FIG. 1

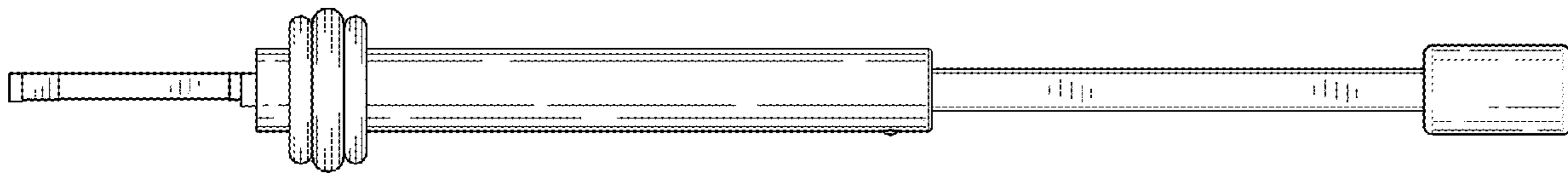


FIG. 2

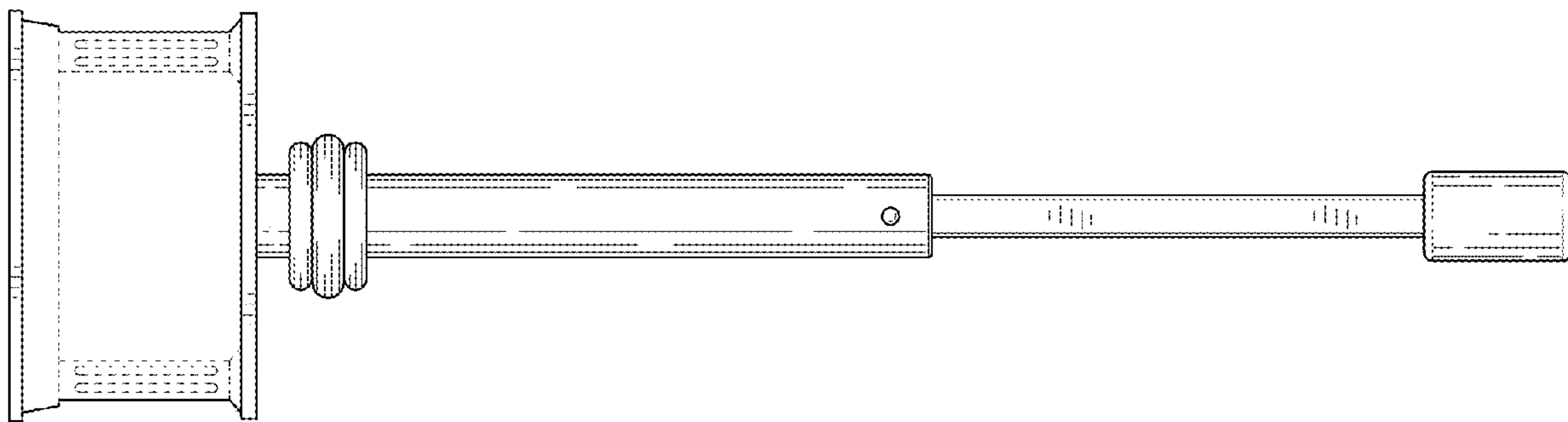


FIG. 3

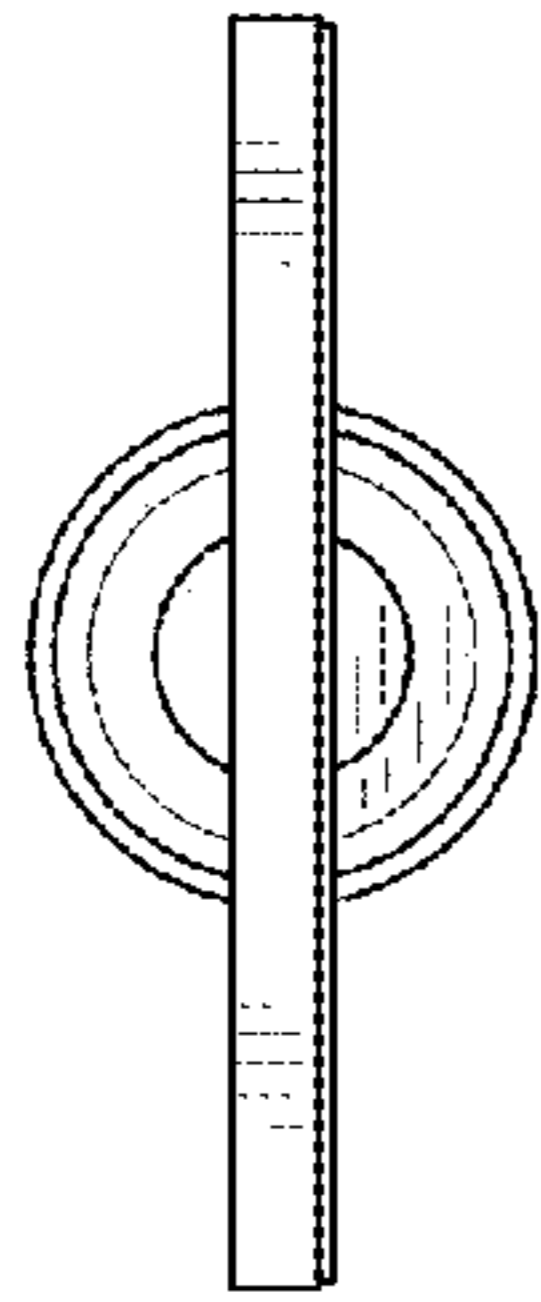


FIG. 4

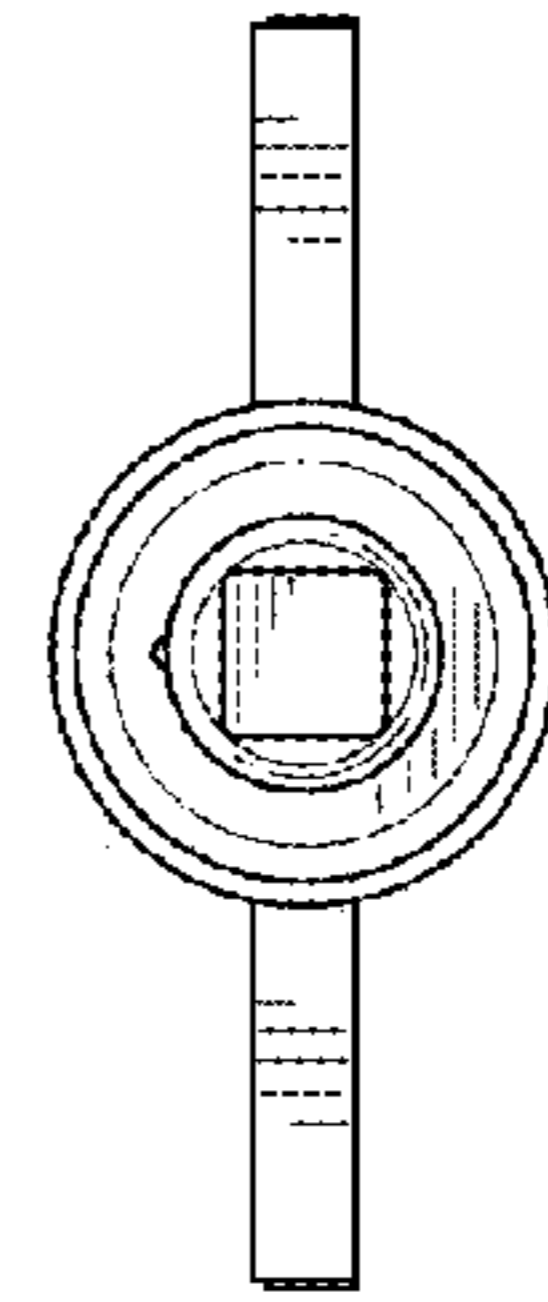


FIG. 5

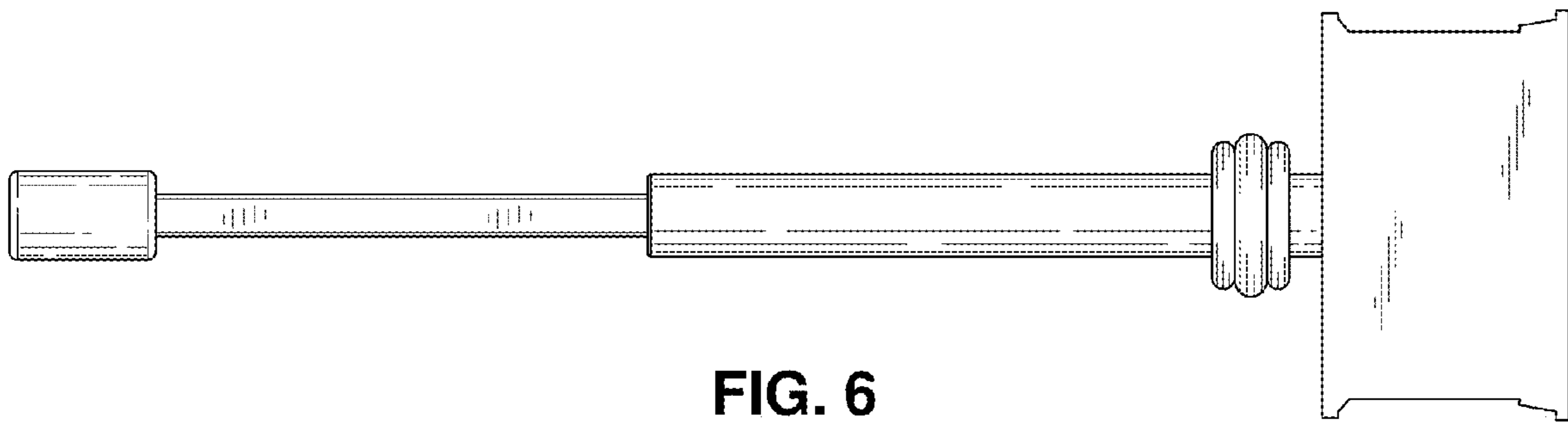


FIG. 6

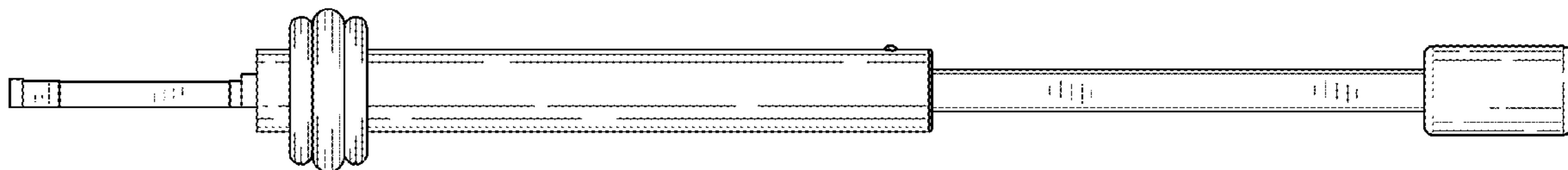


FIG. 7

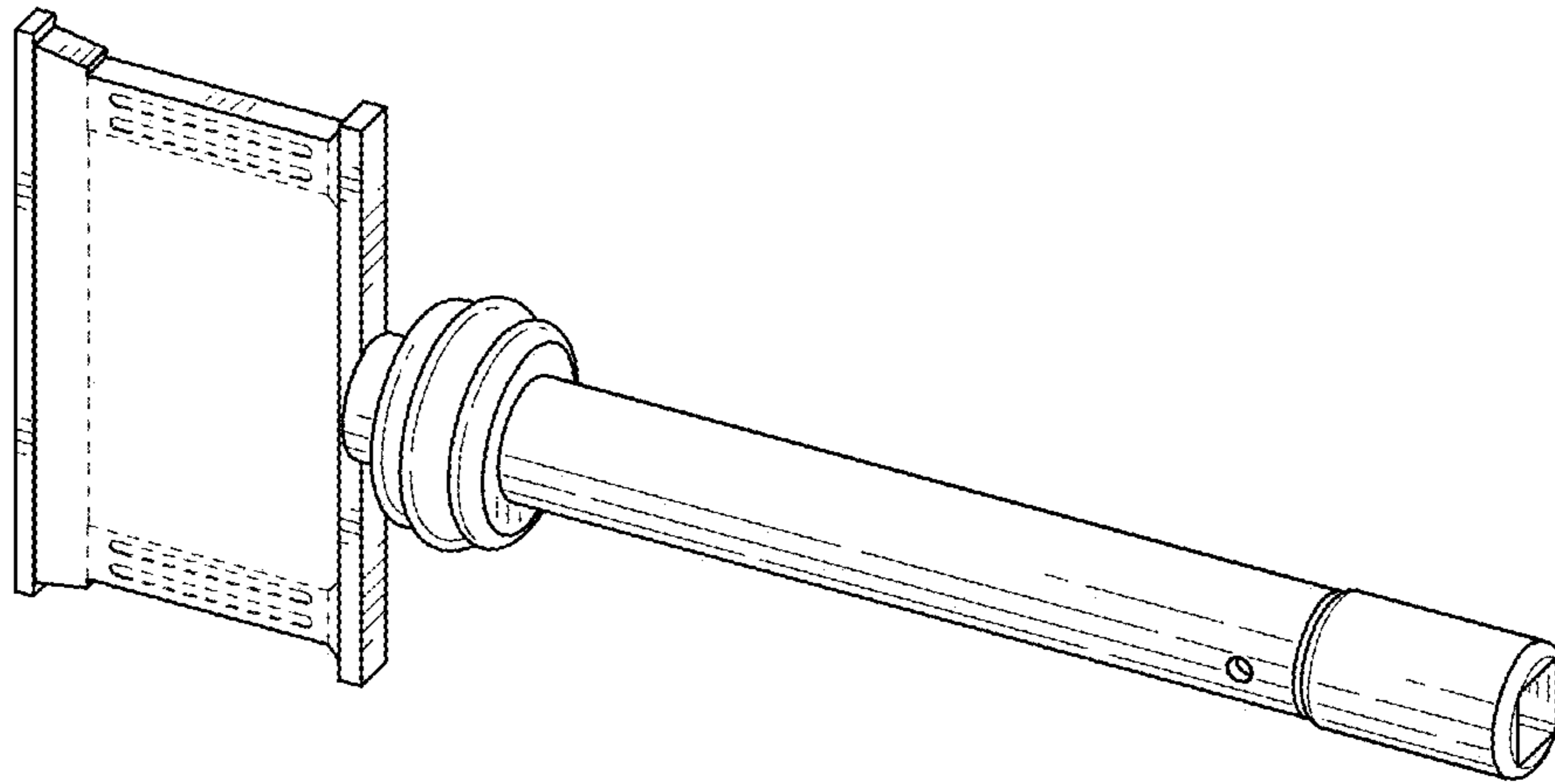


FIG. 8

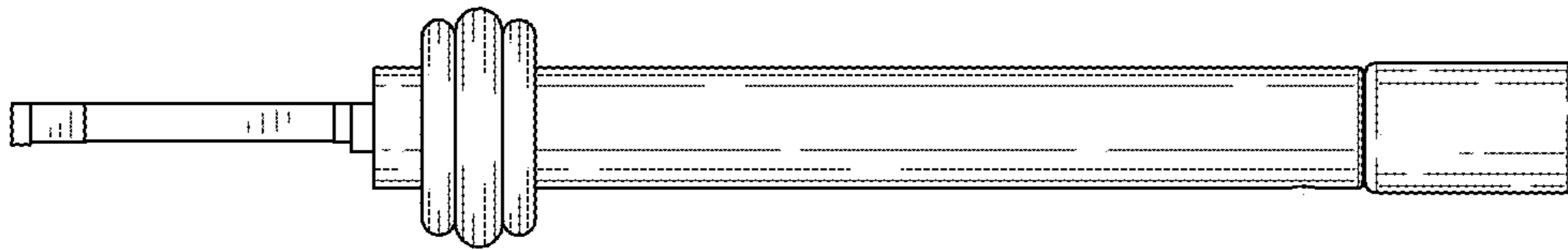


FIG. 9

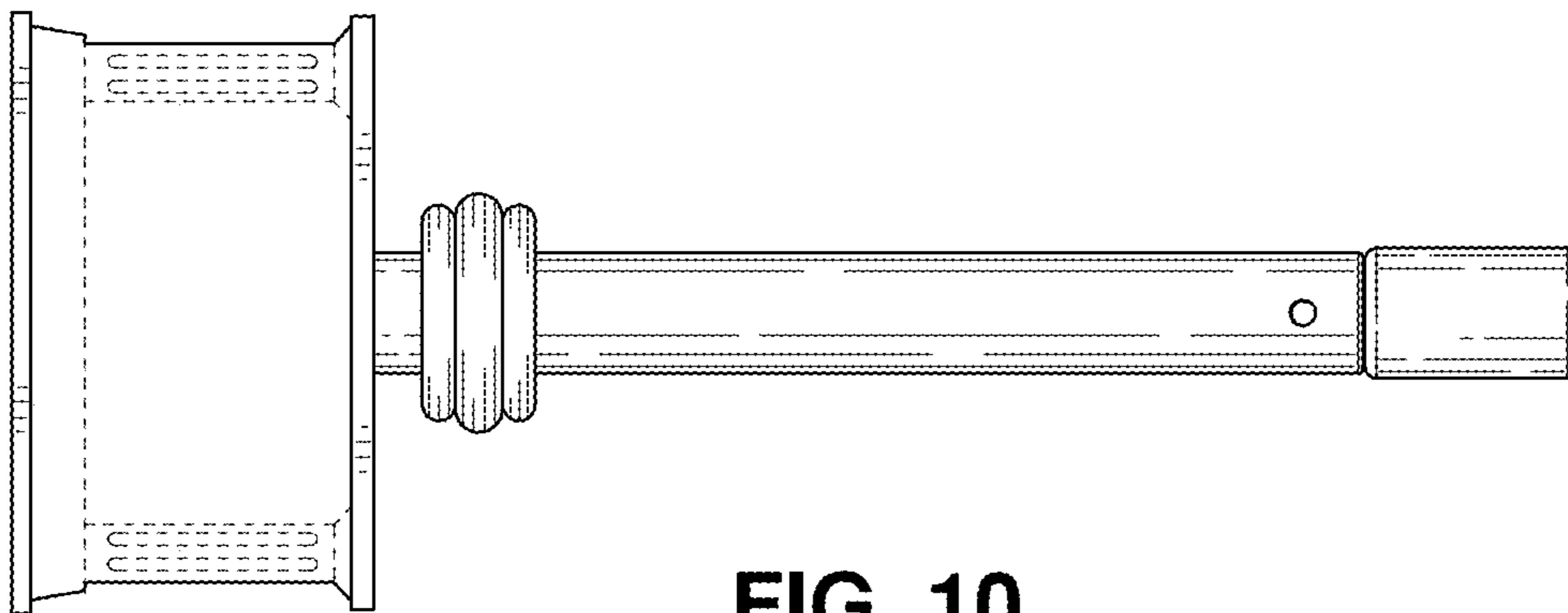


FIG. 10