



US00D932262S

(12) **United States Design Patent** (10) **Patent No.:** **US D932,262 S**  
**Song** (45) **Date of Patent:** **\*\* Oct. 5, 2021**

(54) **SNOW SHOVEL** 2,919,153 A \* 12/1959 Benton ..... E01H 5/02  
294/51  
(71) Applicant: **SHENZHEN YOUCHENG** D212,958 S \* 12/1968 Golenski ..... D8/10  
**INTERACTIVE MEDIA CO., LTD.,** 3,773,375 A \* 11/1973 Nehls ..... E04D 13/106  
Shenzhen (CN) 37/268  
4,037,668 A \* 7/1977 Svejda ..... A01B 1/06  
172/371  
(72) Inventor: **Guanyu Song**, Shenzhen (CN) 4,198,090 A \* 4/1980 Gutman ..... A01B 1/22  
16/429  
(73) Assignee: **SHENZHEN YOUCHENG** 4,386,474 A \* 6/1983 Mechavich ..... E04D 13/106  
**INTERACTIVE MEDIA CO., LTD.,** 294/54.5  
Shenzhen (CN) 4,550,943 A \* 11/1985 Mirto ..... E01H 5/02  
294/50.8  
(\*\*) Term: **15 Years** D343,555 S \* 1/1994 Bonner, III ..... D8/11  
5,367,737 A \* 11/1994 Vosbikian ..... A47L 13/52  
15/144.1  
(21) Appl. No.: **29/763,787** D391,815 S \* 3/1998 Venezia ..... D32/49  
D412,429 S \* 8/1999 Toft ..... D8/10

(Continued)

*Primary Examiner* — Holly E Thurman  
*Assistant Examiner* — Ieisha N Price

(22) Filed: **Dec. 24, 2020**  
(51) **LOC (13) Cl.** ..... **08-01**  
(52) **U.S. Cl.**  
USPC ..... **D8/10**  
(58) **Field of Classification Search**  
USPC ..... D8/10, 11; D30/162; D32/46, 74;  
D7/691, 550.1  
CPC ..... E01H 5/02; E01H 5/00; E02F 3/02; E04D  
13/106; A01D 7/04; A01B 1/08; A01B  
1/06; B25G 1/04; B25G 3/38  
See application file for complete search history.

(57) **CLAIM**

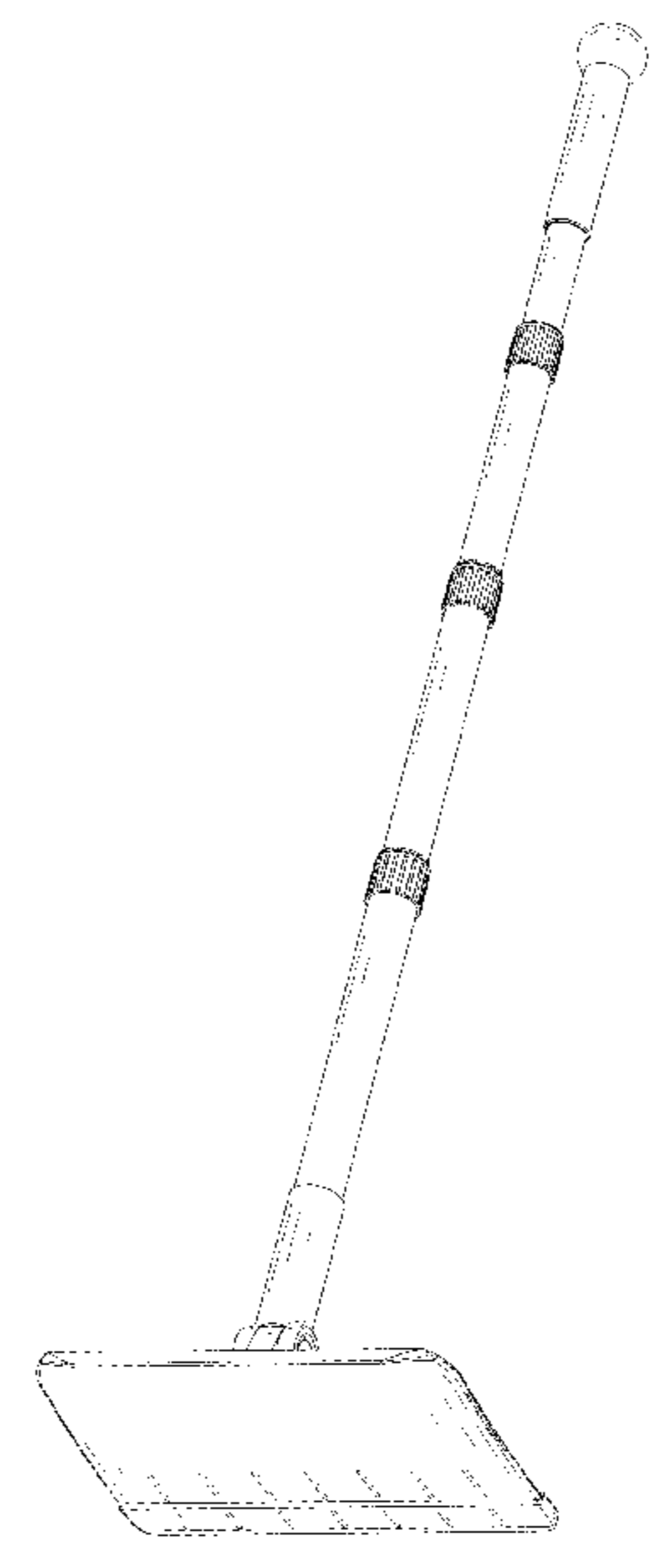
The ornamental design for a snow shovel, as shown and described.

**DESCRIPTION**

FIG. 1 is a perspective view of a snow shovel showing my new design;  
FIG. 2 is another perspective view thereof;  
FIG. 3 is a front elevational view thereof;  
FIG. 4 is a rear elevational view thereof;  
FIG. 5 is a left side elevational view thereof;  
FIG. 6 is a right side elevational view thereof;  
FIG. 7 is a top plan view thereof;  
FIG. 8 is a bottom plan view thereof; and,  
FIG. 9 is a perspective view of the snow shovel where the snow shovel is in a configuration of use.  
The broken lines in the drawings depict portions of the snow shovel that form no part of the claimed design.

(56) **References Cited**  
U.S. PATENT DOCUMENTS  
194,375 A \* 8/1877 Russell ..... A01B 1/022  
294/51  
587,088 A \* 7/1897 Chamblin ..... A01B 1/08  
172/381  
1,034,992 A \* 8/1912 Fulcher ..... A01B 1/08  
172/371  
1,147,913 A \* 7/1915 Armstrong ..... A01B 1/06  
172/372  
1,500,132 A \* 7/1924 Hummelgard ..... A01B 1/022  
294/51

**1 Claim, 9 Drawing Sheets**



(56)

**References Cited**

U.S. PATENT DOCUMENTS

6,109,362	A *	8/2000	Simpson, Sr. ....	E02F 3/02 172/375
6,311,783	B1 *	11/2001	Harpell .....	A01B 1/08 172/371
D467,140	S *	12/2002	Dedrick .....	D8/10
D477,194	S	7/2003	Markley	
D589,767	S *	4/2009	Huang .....	D8/10
8,714,607	B1 *	5/2014	Suber .....	A01B 1/065 294/50
D724,909	S *	3/2015	Davis .....	D8/10
D724,910	S *	3/2015	Davis .....	D8/10
D811,181	S *	2/2018	Koehler .....	D8/10
D824,128	S *	7/2018	O'Shea .....	D32/46
D841,413	S	2/2019	French	
D867,836	S *	11/2019	Juarez .....	D8/11
D901,118	S *	11/2020	Wood .....	D32/46
D903,211	S *	11/2020	Gao .....	D30/162
2002/0112865	A1 *	8/2002	Murtagh .....	B01F 13/002 172/371
2019/0315318	A1 *	10/2019	Wake .....	B08B 1/005
2019/0375380	A1 *	12/2019	Wood .....	B25G 1/04
2020/0187633	A1 *	6/2020	Paratore .....	A46B 5/005

\* cited by examiner

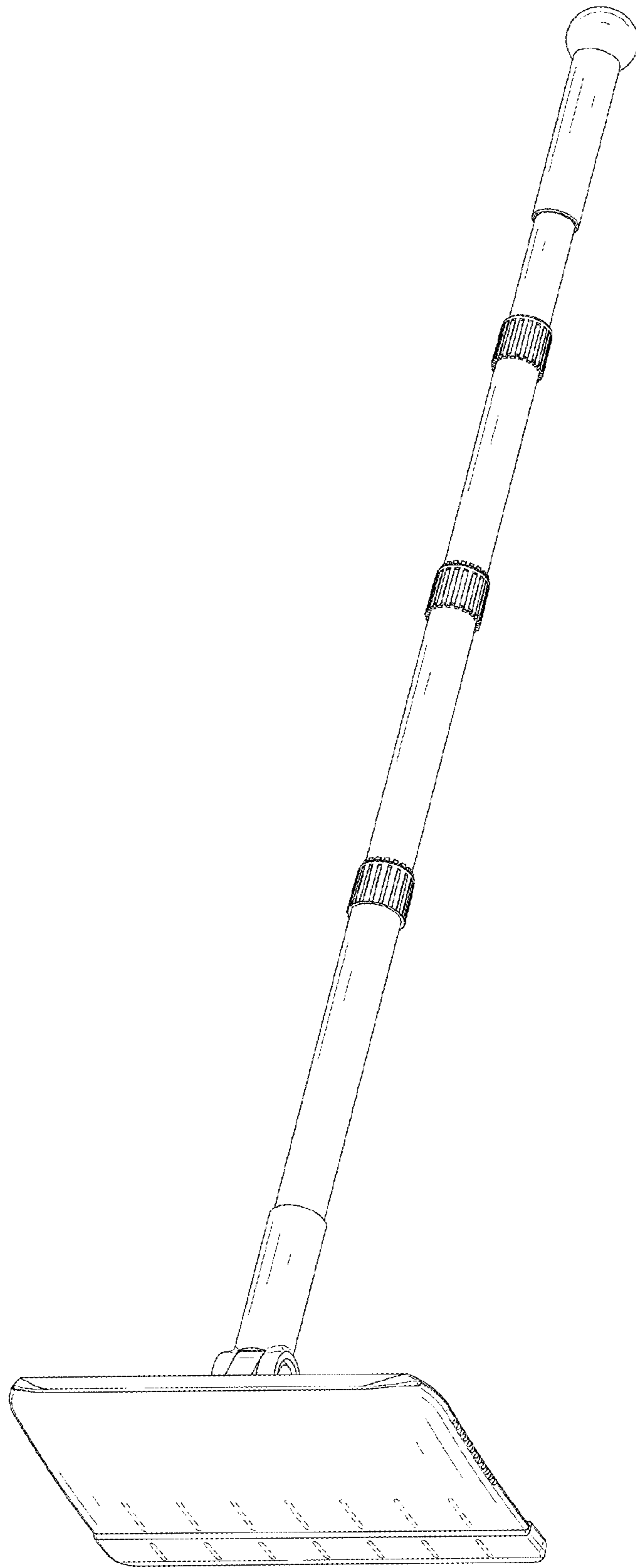


FIG. 1

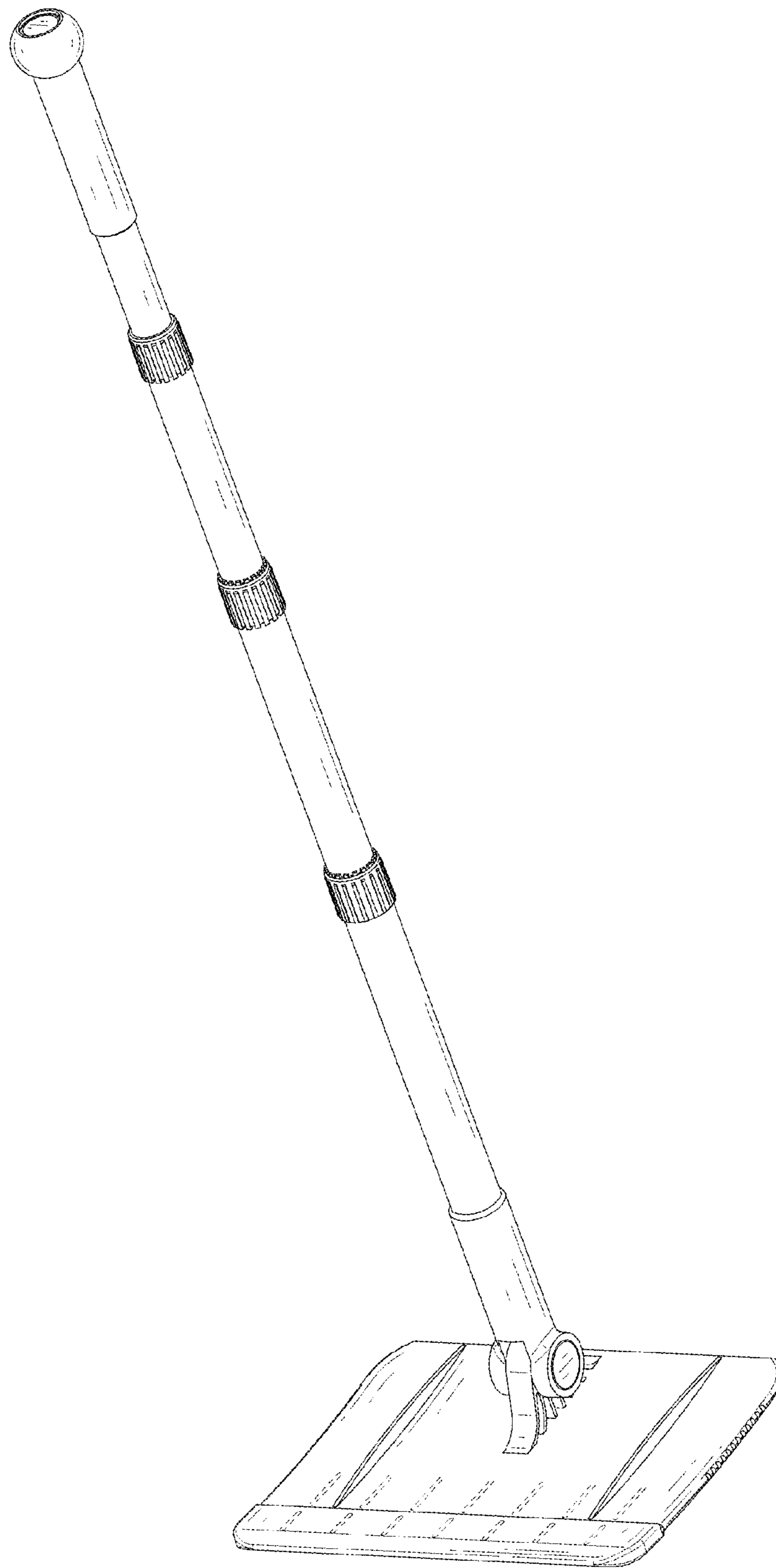


FIG. 2

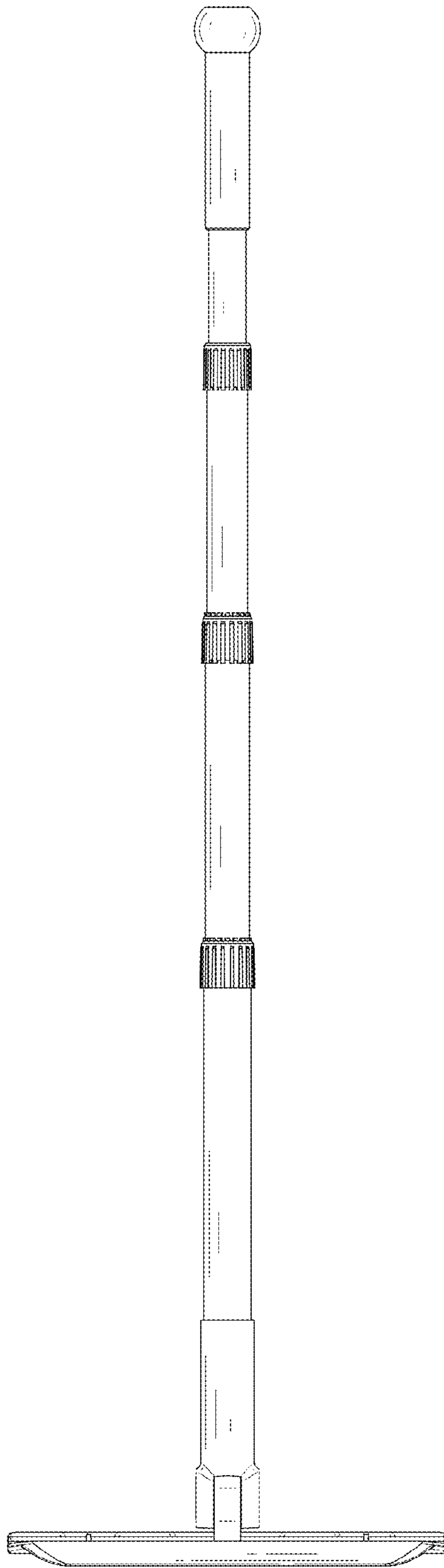


FIG. 3

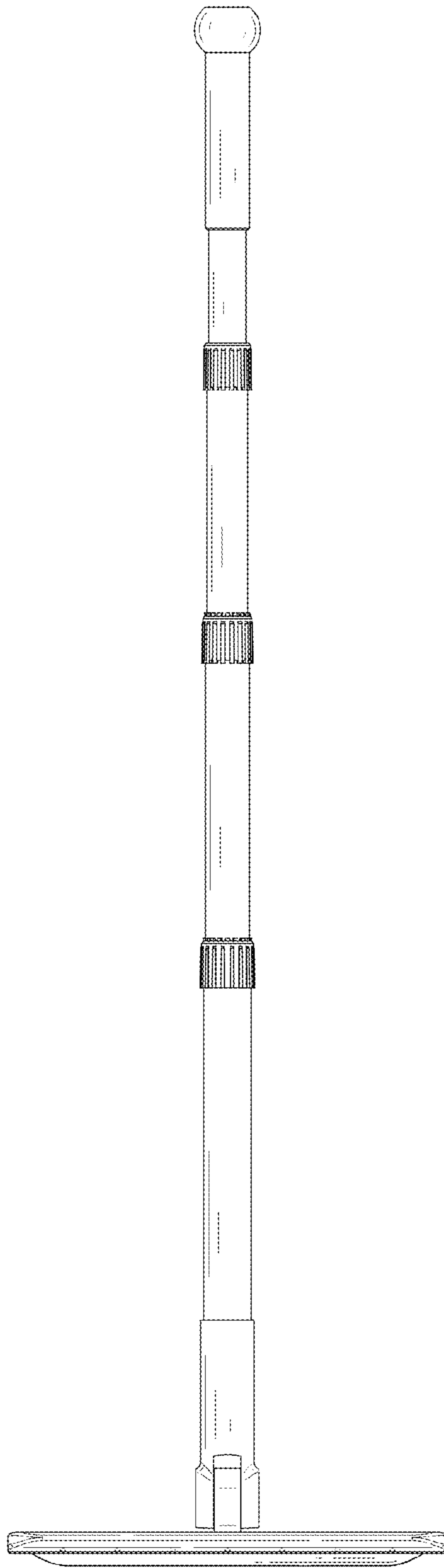


FIG. 4

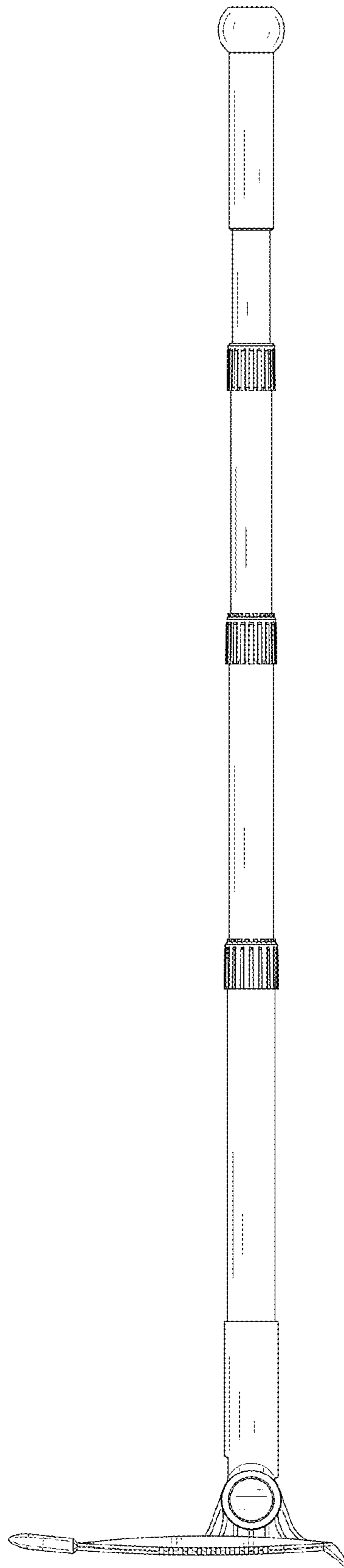


FIG. 5

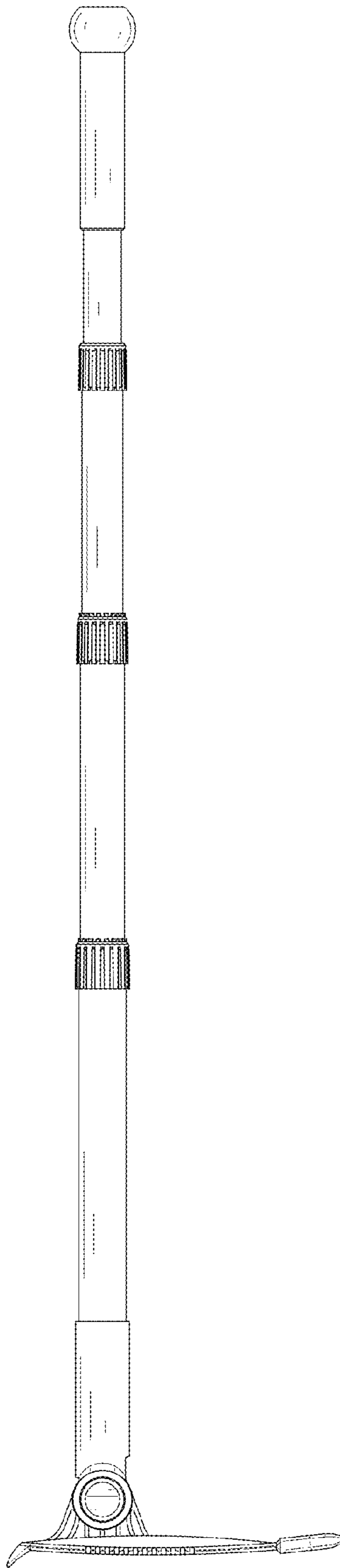


FIG. 6



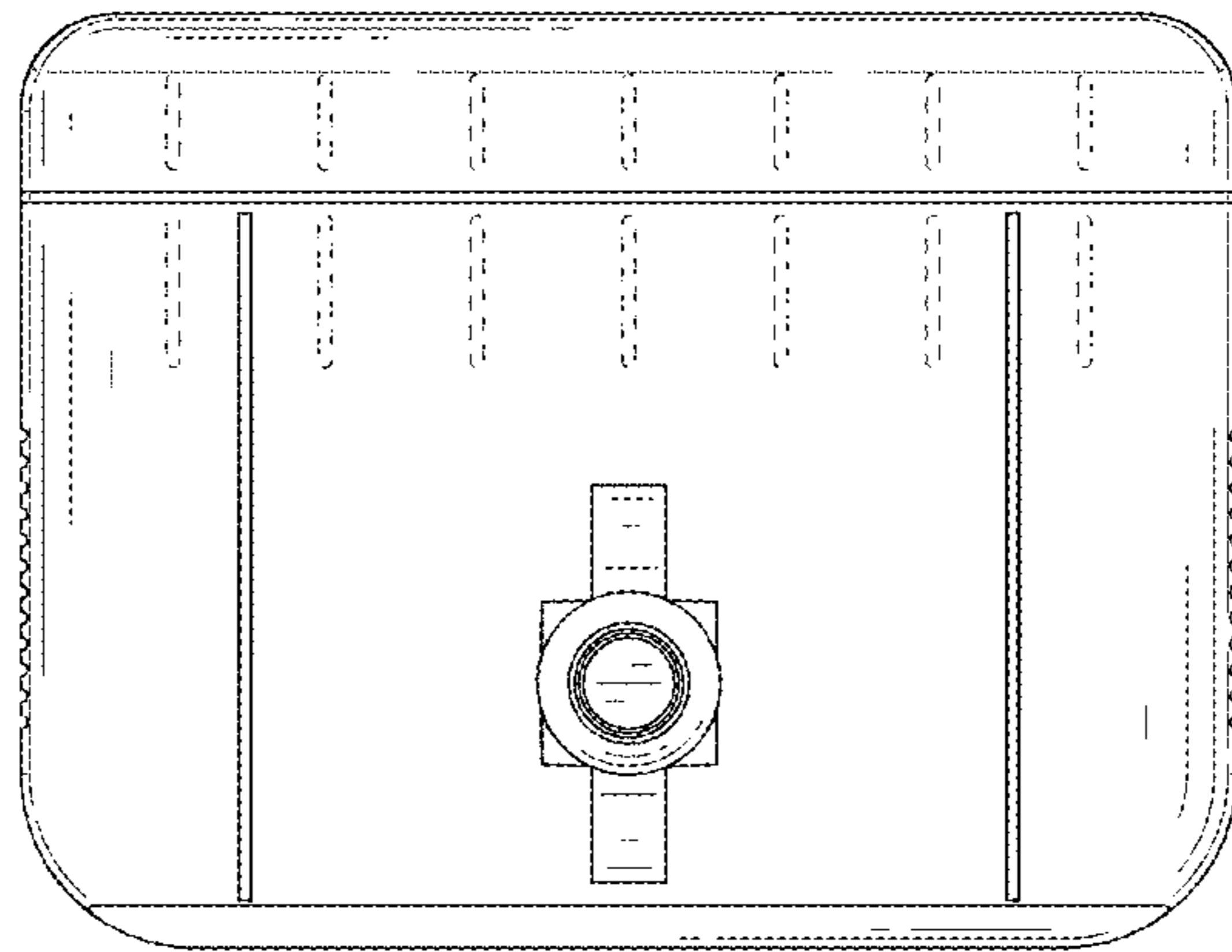


FIG. 7

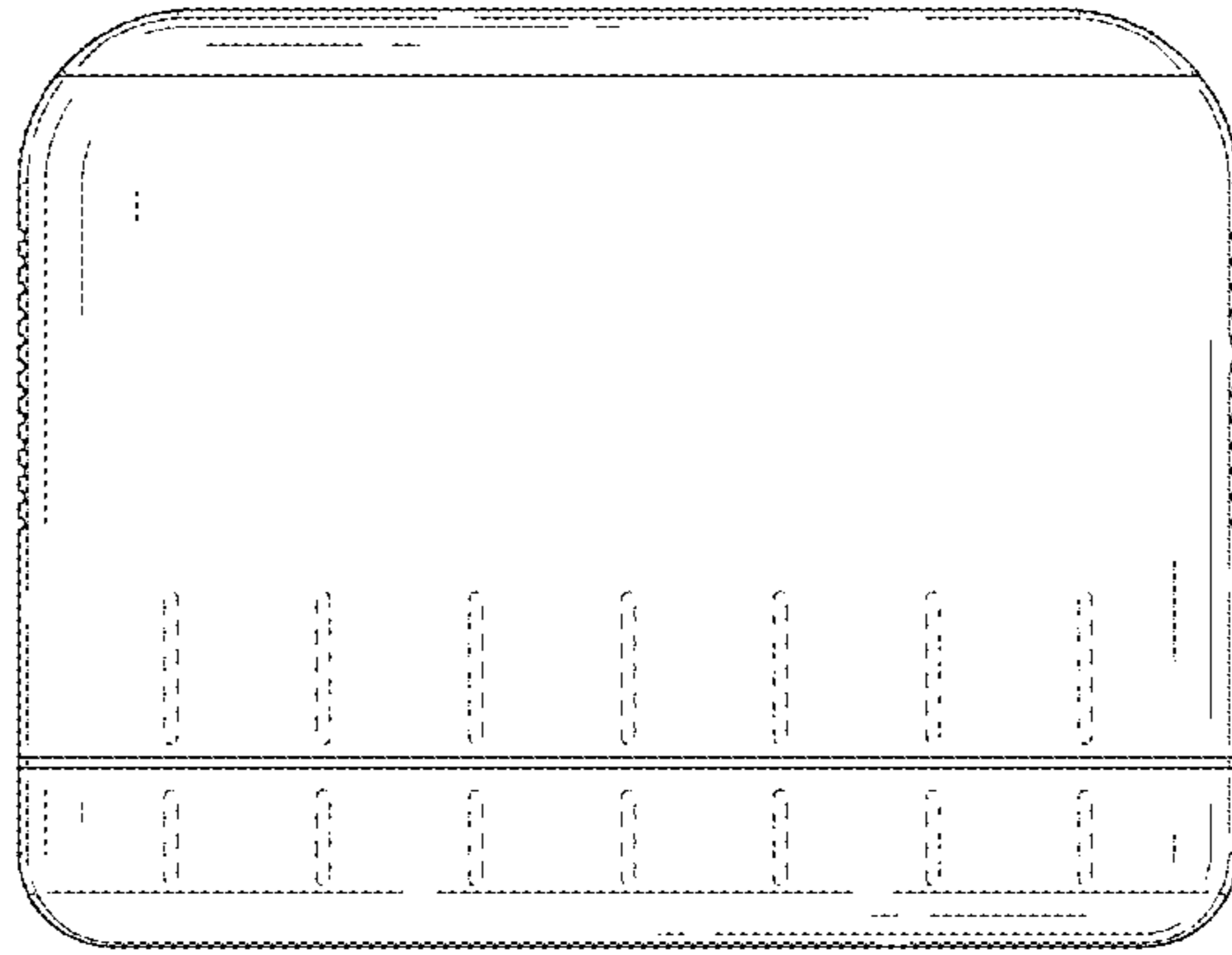


FIG. 8

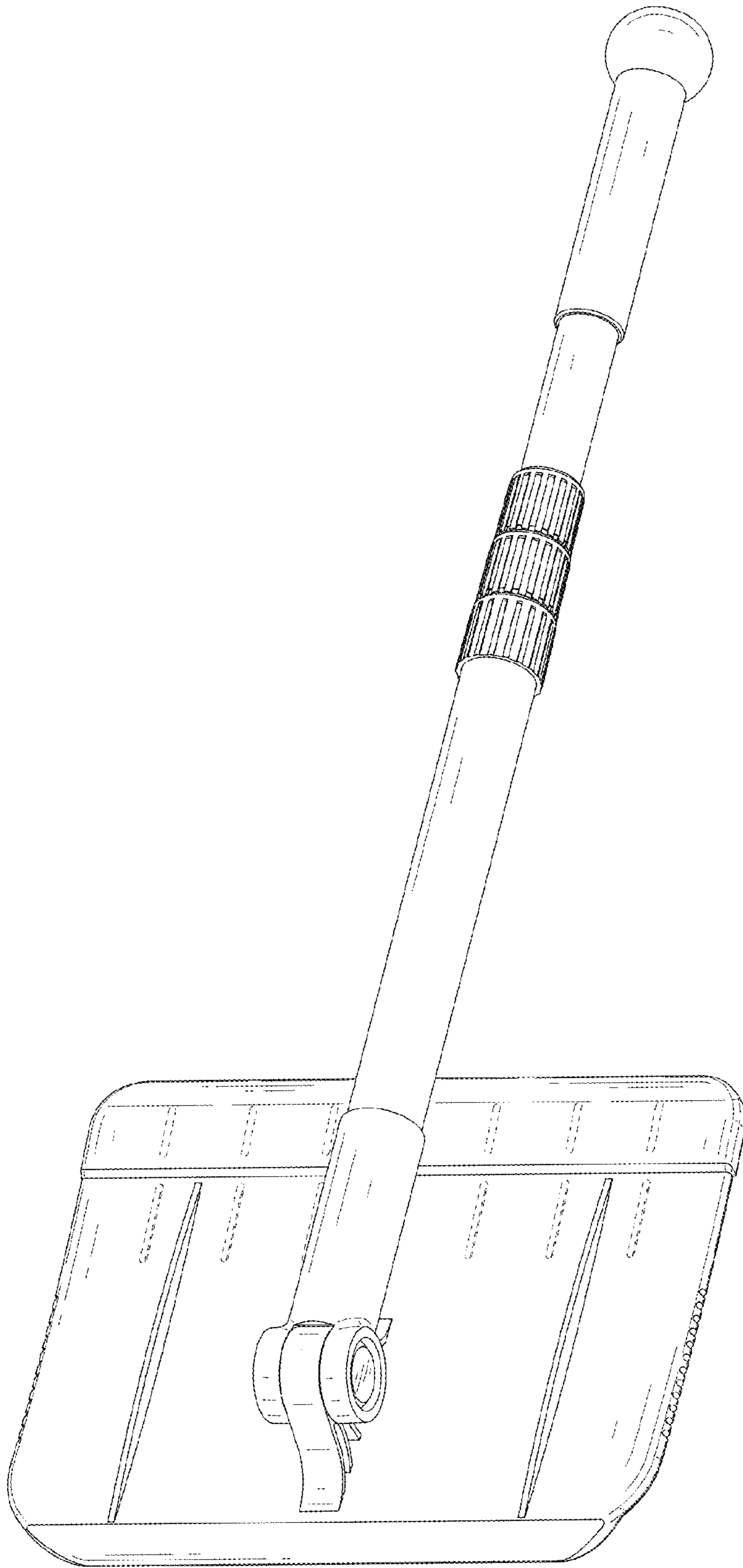


FIG. 9