



US00D932261S

(12) **United States Design Patent** (10) **Patent No.:** **US D932,261 S**  
**Woods** (45) **Date of Patent:** **\*\* Oct. 5, 2021**

(54) **STORAGE BOX FOR CRACKERS**

- (71) Applicant: **Clarence E. Woods**, Anchorage, AK (US)
- (72) Inventor: **Clarence E. Woods**, Anchorage, AK (US)
- (\*\*) Term: **15 Years**
- (21) Appl. No.: **29/713,408**
- (22) Filed: **Nov. 15, 2019**
- (51) **LOC (13) Cl.** ..... **07-02**
- (52) **U.S. Cl.**  
USPC ..... **D7/703**; D7/701; D7/602
- (58) **Field of Classification Search**  
USPC ..... D7/601, 602, 701, 703, 705, 706, 707, D7/708, 708.1; D3/201, 273, 295; D6/672, 675, 675.1, 675.2, 675.3, 675.5, D6/678, 678.1, 678.2, 682, 682.1, 682.3, D6/682.4, 683, 683.1, 702, 705; D9/414, D9/423, 424, 455, 751, 757, 761  
CPC ..... A47B 73/00; A47B 73/006; A47B 88/00; A47B 88/40; A47B 2210/06; A47B 2210/07; A47B 2210/08; A45C 11/20; A47G 19/2255; A47G 19/2261; A47G 19/32; A47G 21/001; A47G 23/02; A47G 23/0208; A47G 23/0216; A47G 23/0225; A47G 23/0258; A47G 23/0266; A47G 23/0316; A47G 23/06; A47G 23/0641; A47G 2023/0283; A47G 29/093; A47J 47/14; A47J 47/16

See application file for complete search history.

(56) **References Cited**

**U.S. PATENT DOCUMENTS**

- D516,384 S \* 3/2006 Neuhaus ..... D7/609
- D709,735 S \* 7/2014 Weernink ..... D7/609

**OTHER PUBLICATIONS**

Home-X Convenient Cracker and Cookie Keeper, first available Nov. 13, 2015, Amazon, [online], [site visited Apr. 2, 2021], Available from internet URL: <https://www.amazon.com/dp/B017Y8QVYE> (Year: 2015).\*

IDesign Kitchen Binz 4.7—Quart Container with Lid, Bed Bath & Beyond, [online], [site visited Apr. 2, 2021], Available from internet URL: <https://www.bedbathandbeyond.com/store/product/idesign-reg-kitchen-binz-4-7-quart-container-with-lid/5313741?wmSkipPwa=1> (Year: 2021).\*

\* cited by examiner

*Primary Examiner* — Mary Ann Calabrese  
*Assistant Examiner* — Natalya M Rapundalo  
 (74) *Attorney, Agent, or Firm* — Michael J. Tavella

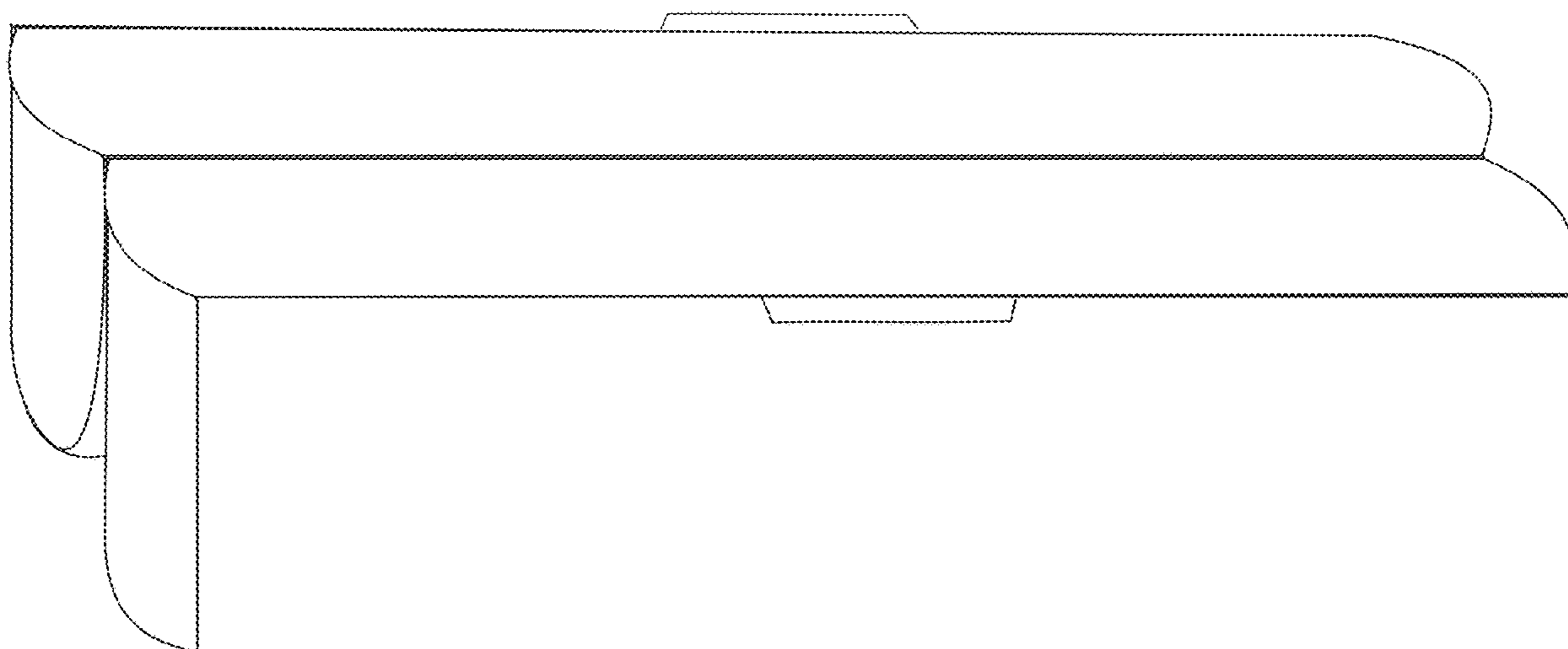
(57) **CLAIM**

The ornamental design for a storage box for crackers, as shown and described.

**DESCRIPTION**

FIG. 1 is a front perspective view of my storage box for crackers, showing my new design;  
 FIG. 2 is a front elevation thereof;  
 FIG. 3 is rear elevation view thereof;  
 FIG. 4 is a left side elevation thereof;  
 FIG. 5 is left side elevation thereof showing both hinged covers open;  
 FIG. 6 is a left side elevation thereof showing the front hinged cover open;  
 FIG. 7 is a left side elevation thereof showing the rear hinged cover open;  
 FIG. 8 is top plan view thereof;  
 FIG. 9 is a bottom plan thereof; and,  
 FIG. 10 is a front perspective thereof, showing the rear hinged cover open.

**1 Claim, 7 Drawing Sheets**



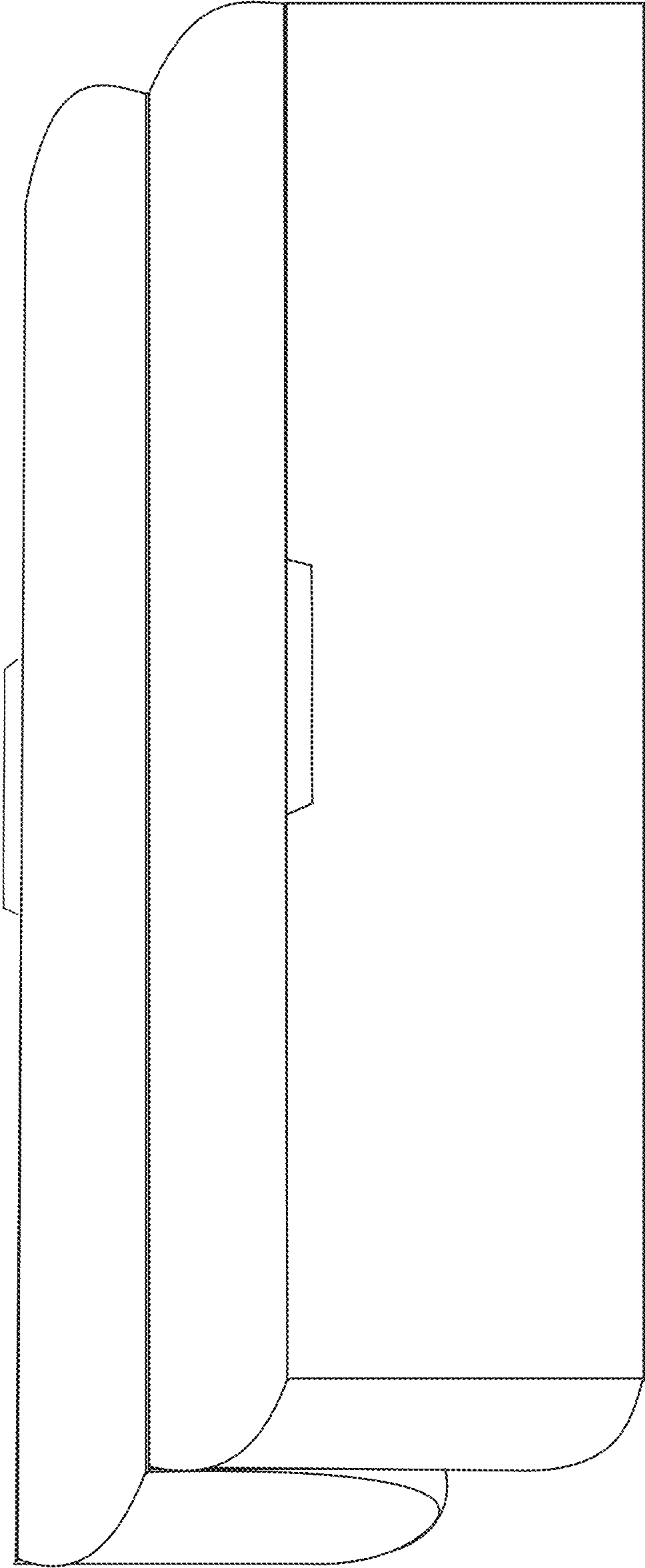


FIG. 1

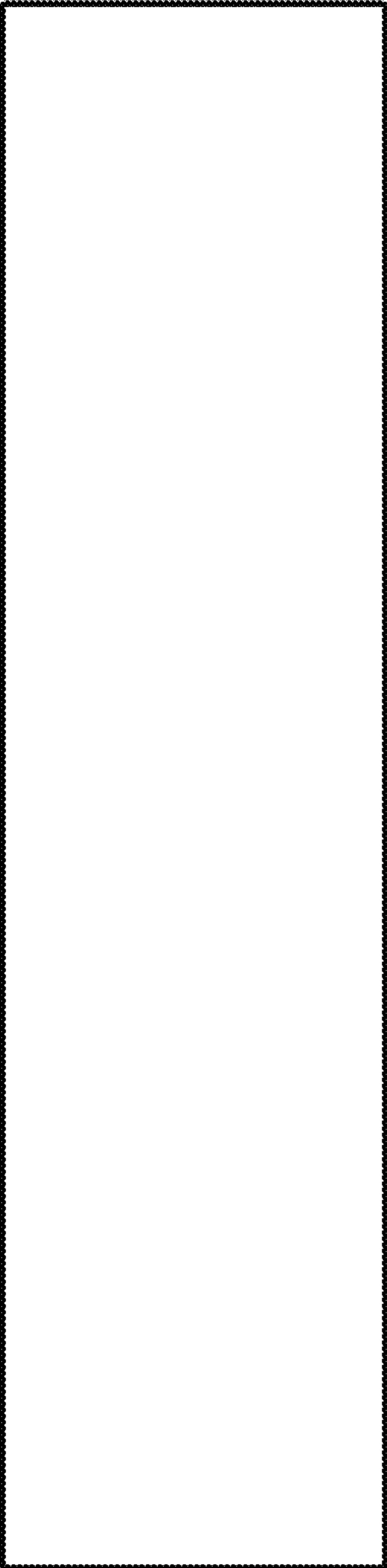


FIG. 2

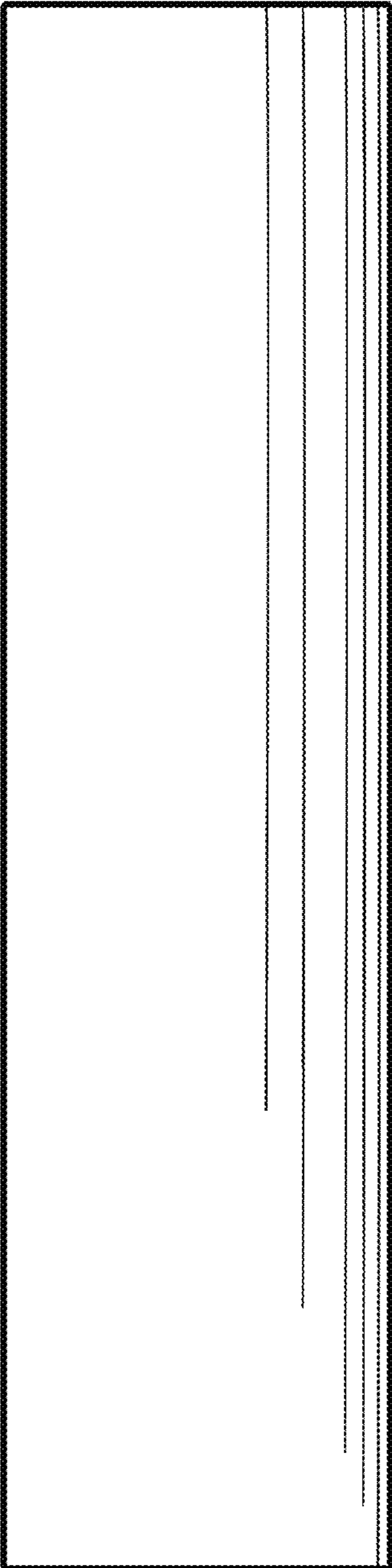
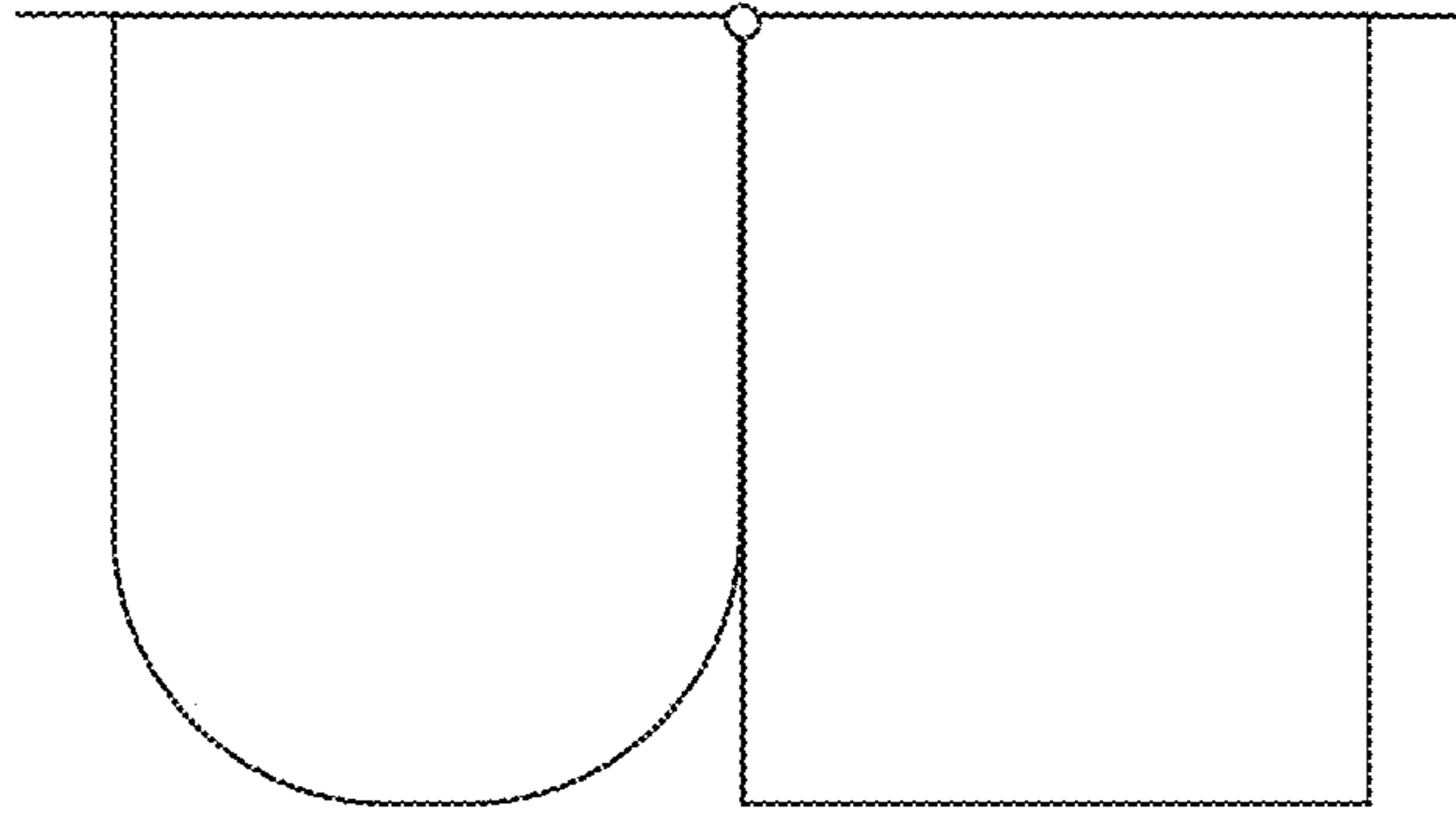
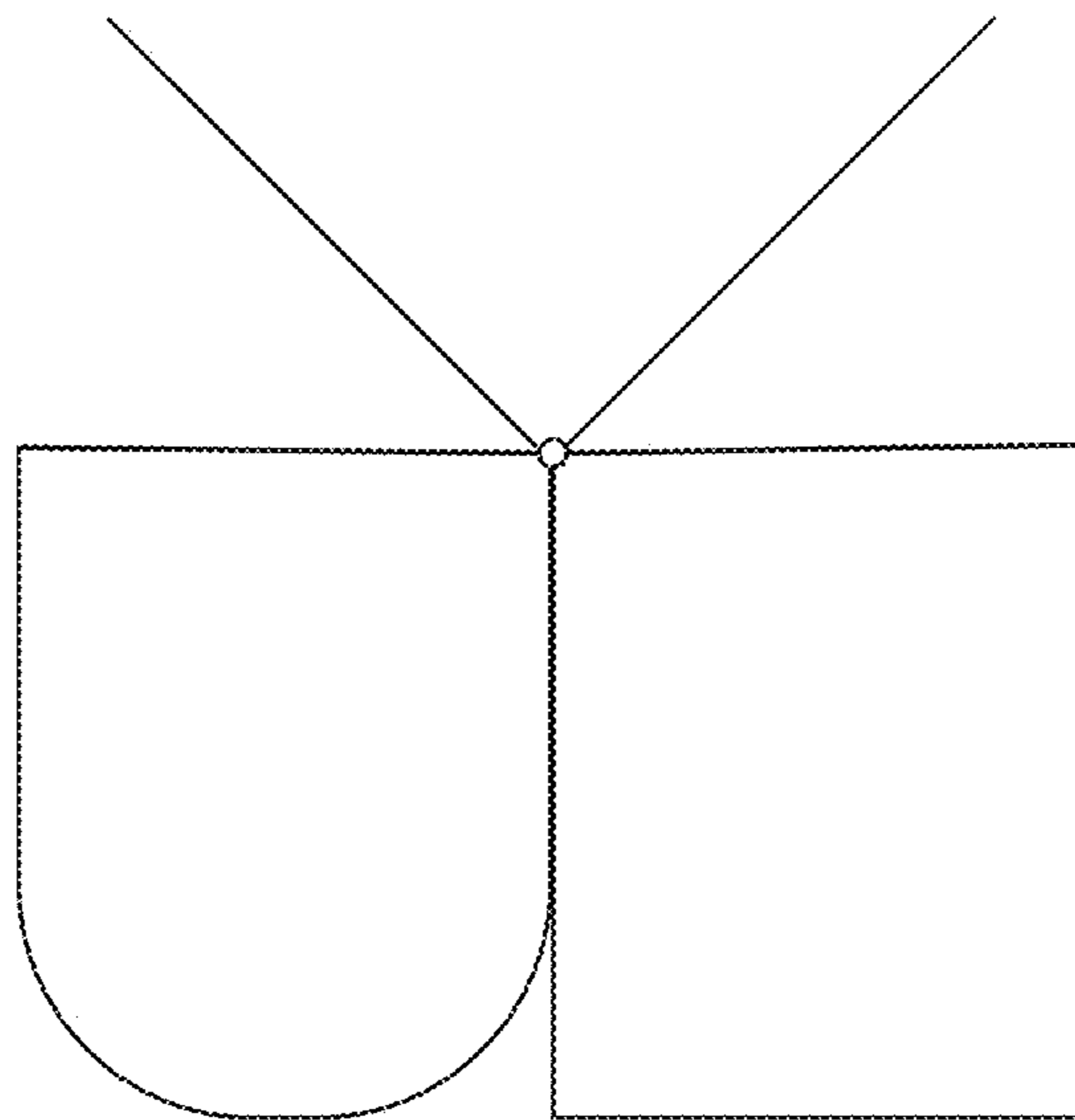


FIG. 3



**FIG. 4**



**FIG. 5**

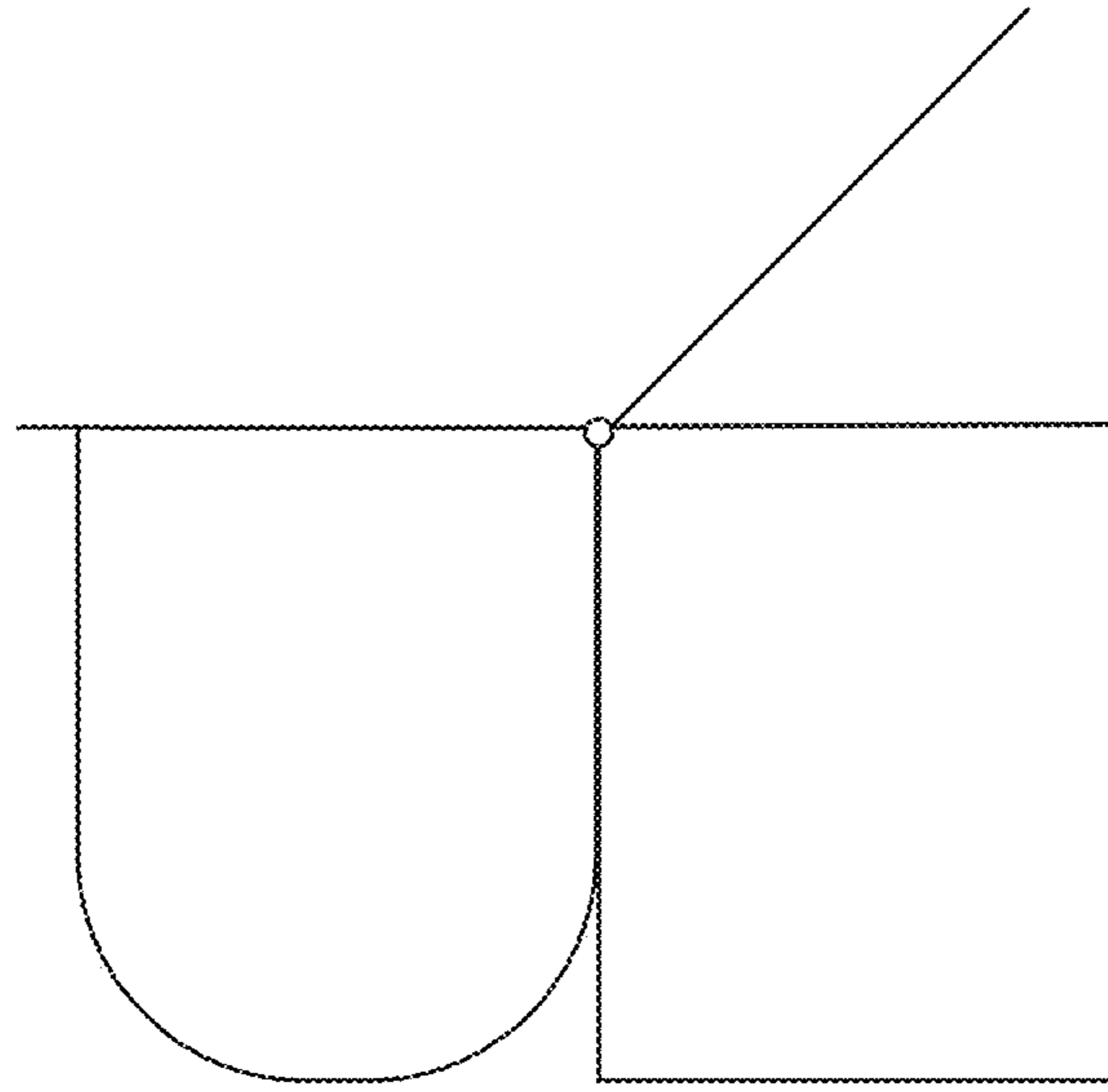


FIG. 6

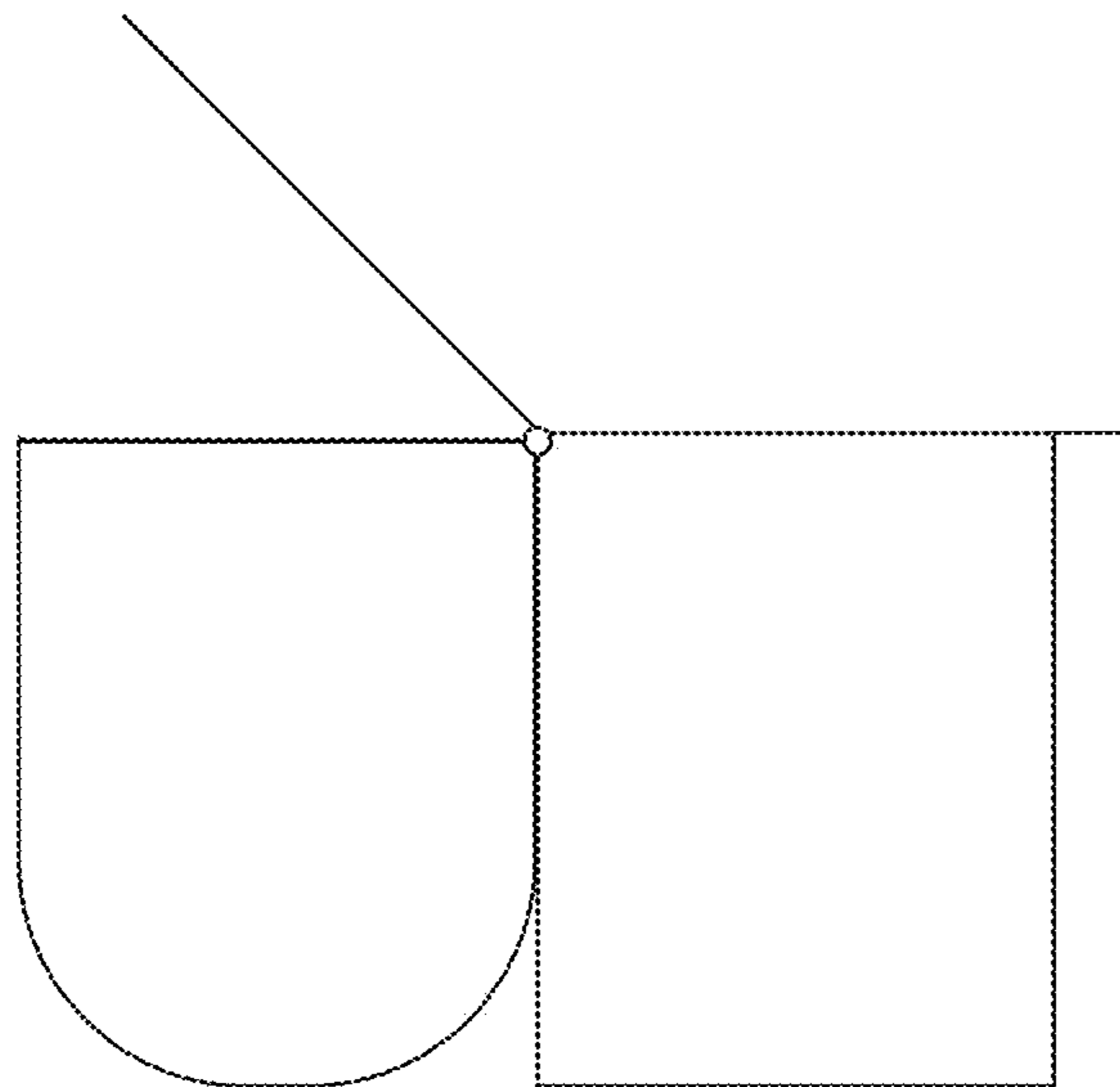


FIG. 7

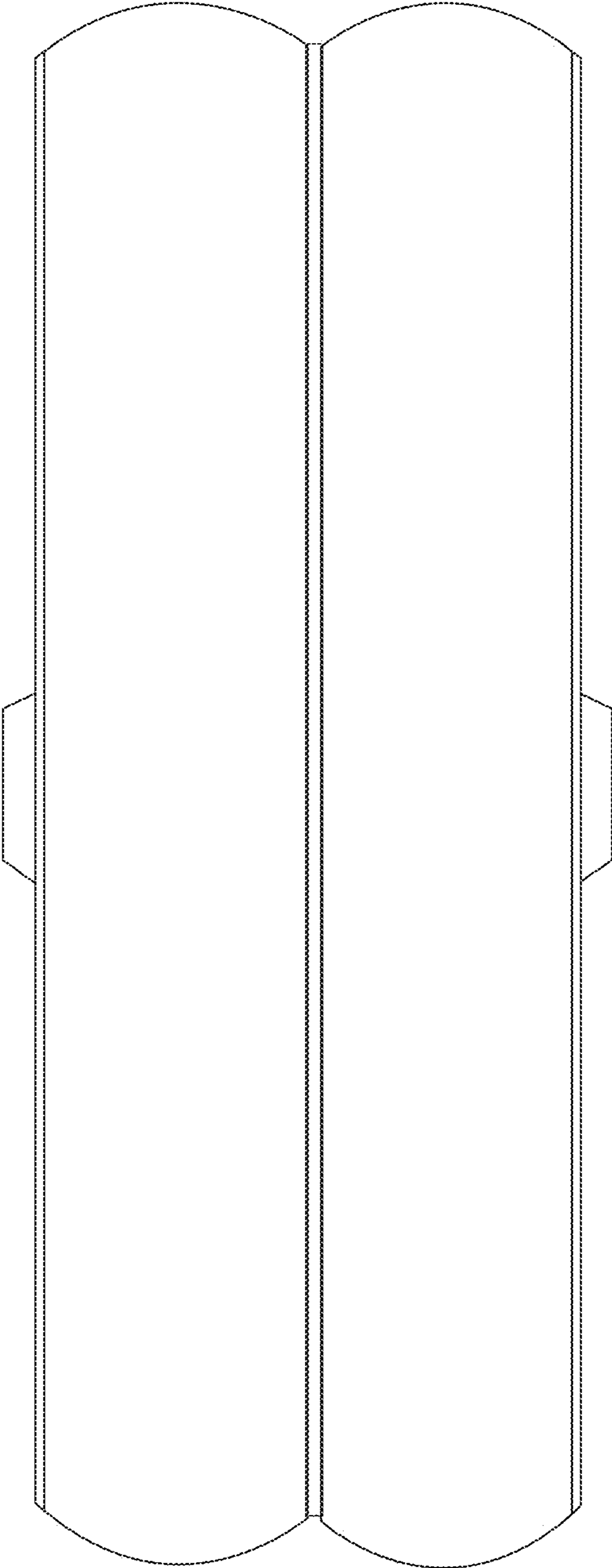


FIG. 8

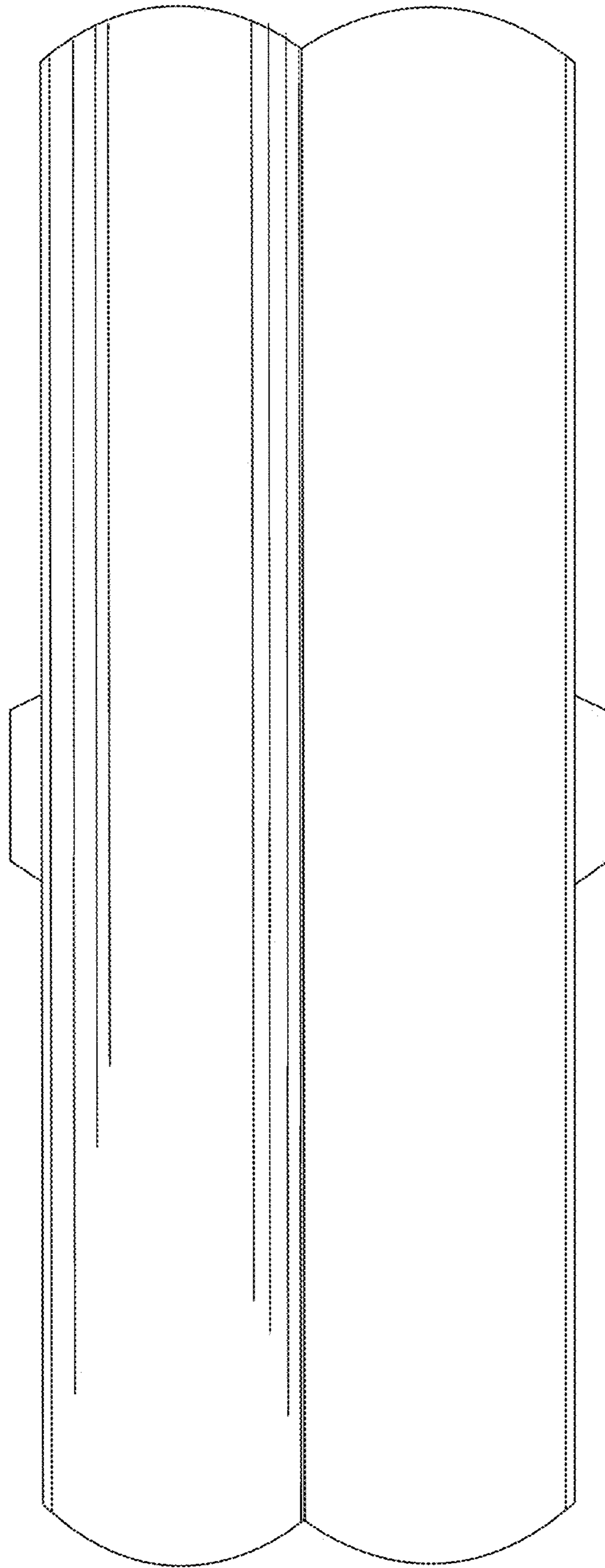


FIG. 9

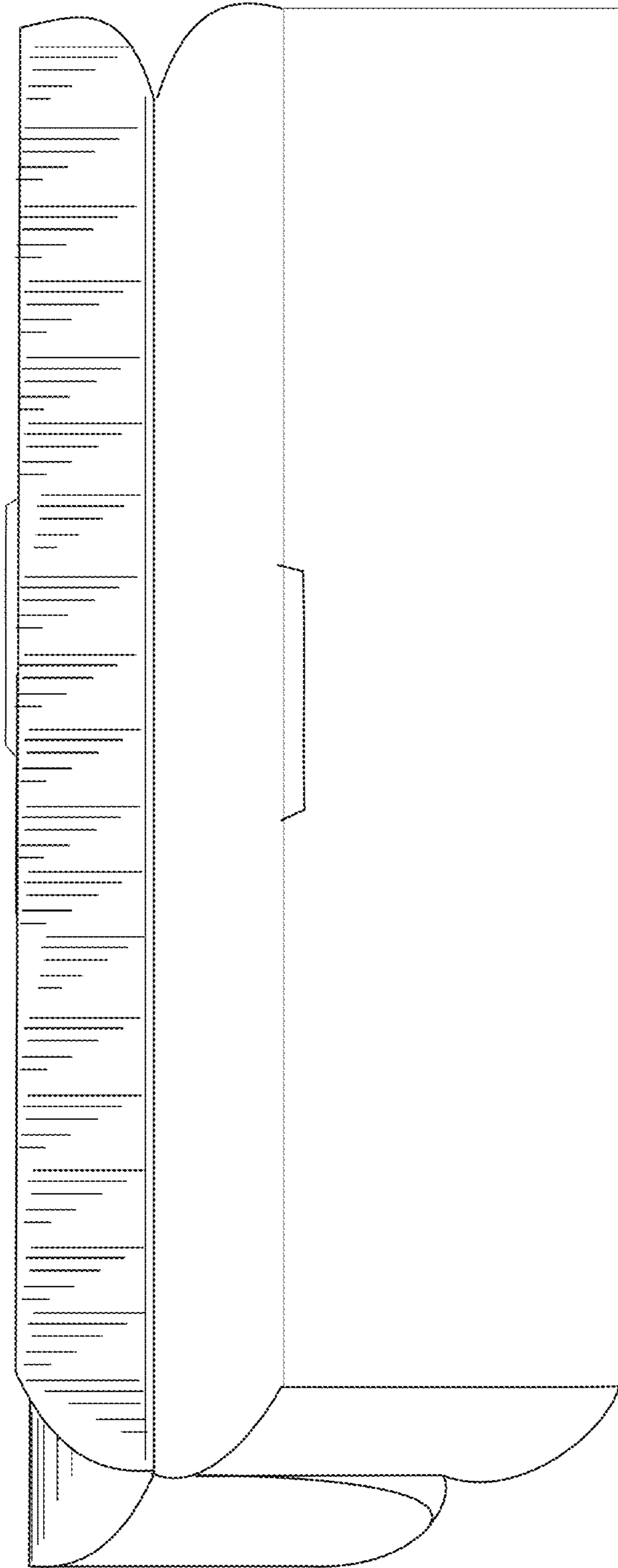


FIG. 10