



US00D932260S

(12) **United States Design Patent** (10) **Patent No.:** **US D932,260 S**
Jackson, III et al. (45) **Date of Patent:** **** Oct. 5, 2021**

- (54) **SCOOP**
- (71) Applicant: **Avery M. Jackson, III**, Grand Blanc, MI (US)
- (72) Inventors: **Avery M. Jackson, III**, Grand Blanc, MI (US); **Marc Von Amsberg**, Waxhaw, NC (US)
- (73) Assignee: **Avery M. Jackson, III**, Grand Blanc, MI (US)
- (**) Term: **15 Years**
- (21) Appl. No.: **29/704,289**
- (22) Filed: **Sep. 3, 2019**
- (51) **LOC (13) Cl.** **07-02**
- (52) **U.S. Cl.**
USPC **D7/691**
- (58) **Field of Classification Search**
USPC D7/368, 380, 393, 395, 401.2, 642, 643, D7/653-664, 669, 680-696; D32/40, 46; D10/46.2, 46.3
CPC A01D 9/02; A01D 9/04; A01D 9/06; A47F 13/08; A47G 21/00; A47G 21/004; A47G 21/21005; A47G 21/02; A47G 21/023; A47G 21/04; A47G 21/06; A47G 21/08; A47J 43/28; A47J 43/281; A47J 43/282; A61F 13/10; A61J 7/0023; B25G 1/00; B25G 1/01; B25G 1/02
See application file for complete search history.

D301,930 S * 6/1989 Cantu 453/60
D332,675 S * 1/1993 Simon 294/1.3
5,301,870 A 4/1994 Smith et al.
(Continued)

OTHER PUBLICATIONS

38oz Aluminum Flat Bottom Sample Scoop. Online, published date unknown. Retrieved on Dec. 18, 2020 from URL: <https://www.globalgilson.com/38oz-aluminum-flat-bottom-sample-scoop>.*

Primary Examiner — Susan Bennett Hattan
Assistant Examiner — Omeed Agilee
(74) *Attorney, Agent, or Firm* — McNees Wallace & Nurick LLC

(57) **CLAIM**

The ornamental design for a scoop, as shown and described.

DESCRIPTION

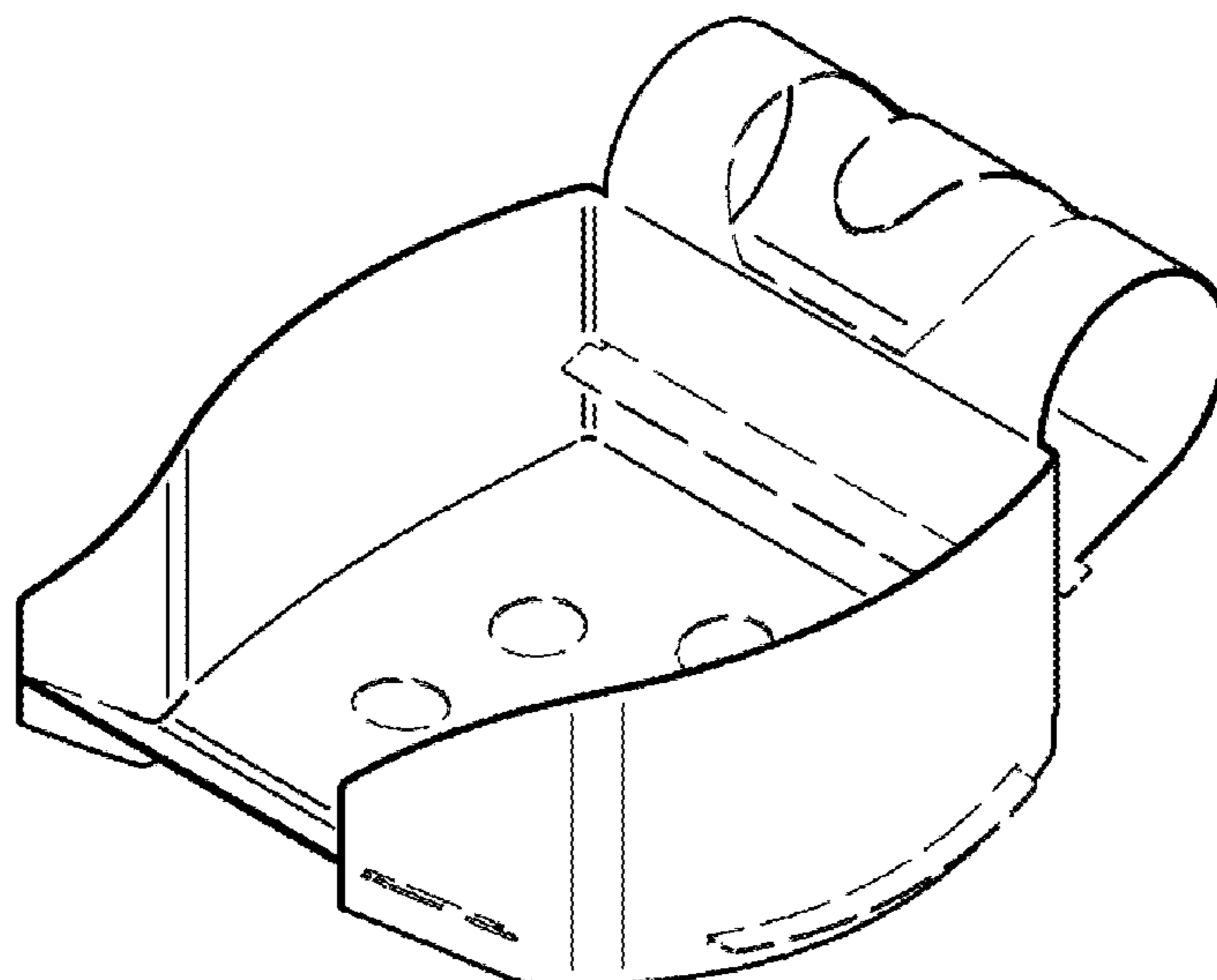
FIG. 1 is an assembled top perspective view showing the design;
FIG. 2 is an assembled bottom perspective view showing the design;
FIG. 3 is an assembled top view showing the design;
FIG. 4 is an assembled bottom view showing the design;
FIG. 5 is an assembled Front view showing the design;
FIG. 6 is an assembled right side view showing the design;
FIG. 7 is an assembled rear view showing the design;
FIG. 8 is an assembled left side view showing the design;
FIG. 9 is a flat top perspective view showing the design;
FIG. 10 is a flat bottom perspective view showing the design;
FIG. 11 is a flat front view showing the design;
FIG. 12 is a flat rear view showing the design;
FIG. 13 is a flat top view showing the design;
FIG. 14 is a flat right side view showing the design;
FIG. 15 is a flat bottom view showing the design; and,
FIG. 16 is a flat left side view showing the design.
The broken lines in the drawings illustrate features that form no part of the claim.

(56) **References Cited**

U.S. PATENT DOCUMENTS

- 636,735 A * 11/1899 Davenport A47F 13/08
294/180
- 652,350 A 6/1900 Davenport
- 1,931,213 A 10/1933 Wheeler
- D236,938 S * 9/1975 Bowen D34/10

1 Claim, 4 Drawing Sheets



(56)

References Cited

U.S. PATENT DOCUMENTS

| | | | | | |
|--------------|----|---|---------|-----------------|-----------------------|
| D395,928 | S | * | 7/1998 | Frelander | D21/532 |
| 5,950,341 | A | | 9/1999 | Cross | |
| D483,626 | S | * | 12/2003 | Jeffries | D30/162 |
| D583,635 | S | * | 12/2008 | Ikoma | D10/46.2 |
| 8,210,381 | B2 | | 7/2012 | Cross | |
| D749,278 | S | * | 2/2016 | Garvey | D30/162 |
| 9,625,302 | B2 | | 4/2017 | Inglis | |
| D804,746 | S | * | 12/2017 | Frye | D30/162 |
| D880,258 | S | * | 4/2020 | Matsumoto | D7/691 |
| 2005/0258655 | A1 | | 11/2005 | Matthews et al. | |
| 2014/0238987 | A1 | | 8/2014 | Brooks | |
| 2014/0265399 | A1 | * | 9/2014 | Young | A47F 13/08 294/179 |

* cited by examiner

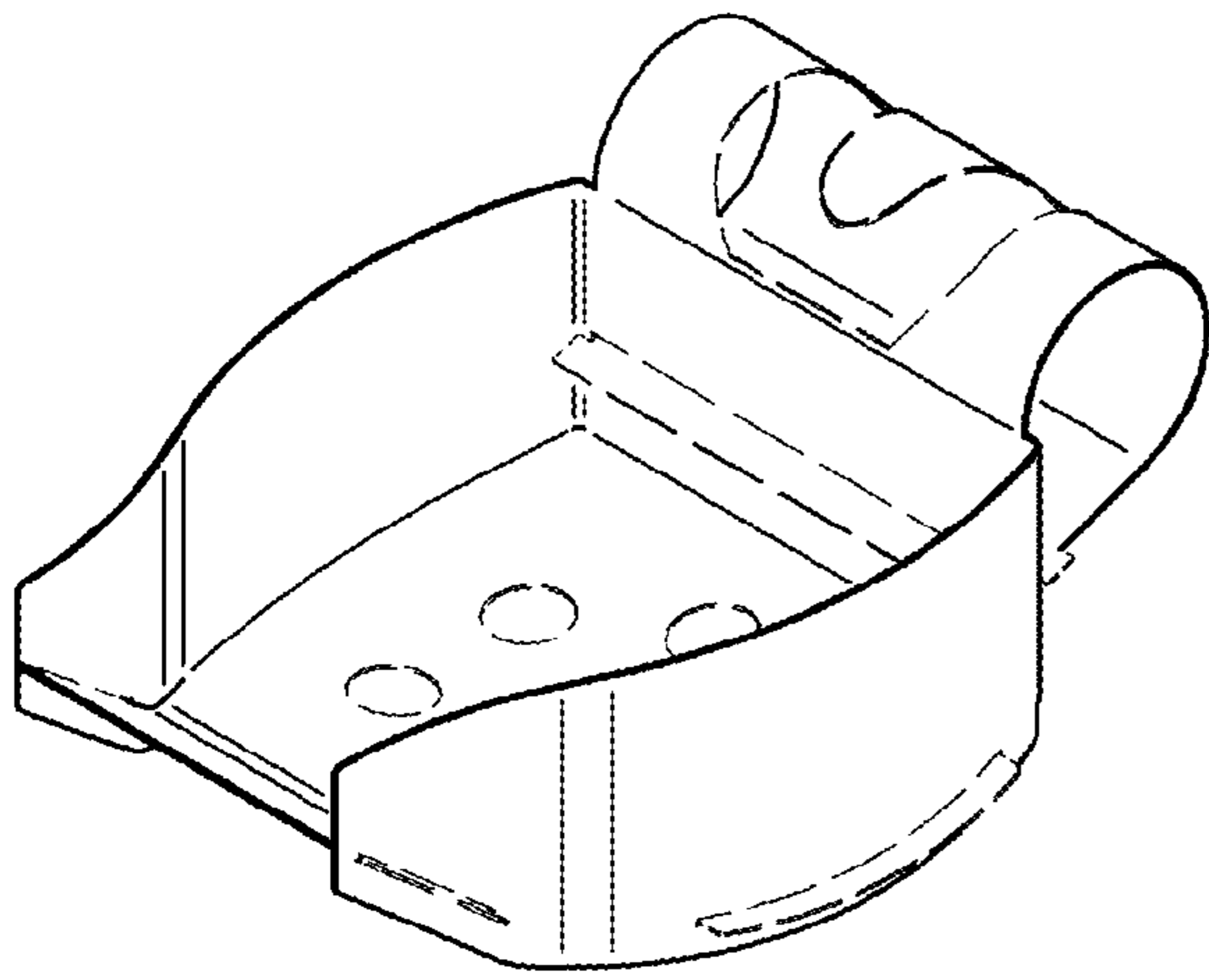


FIG. 1

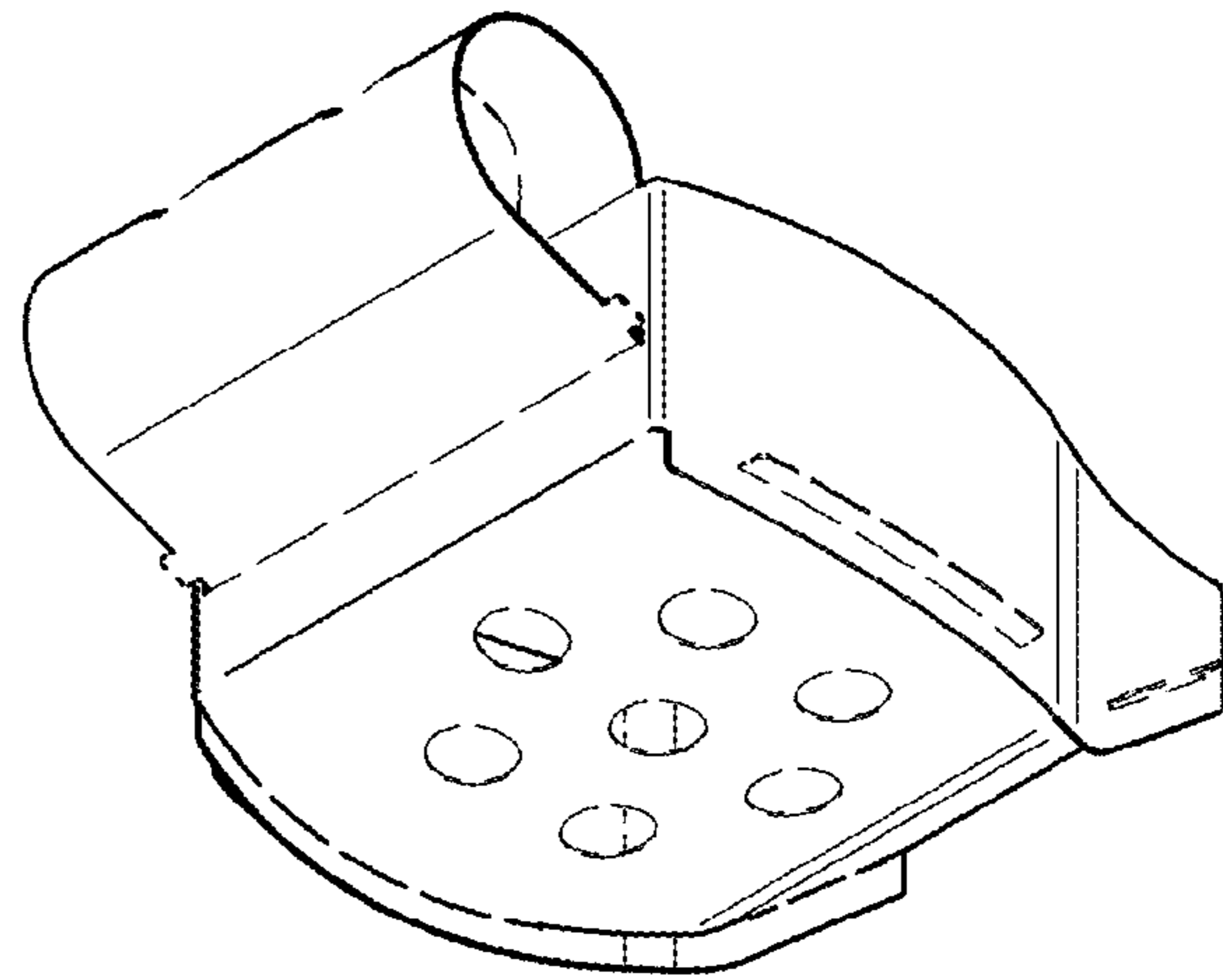


FIG. 2

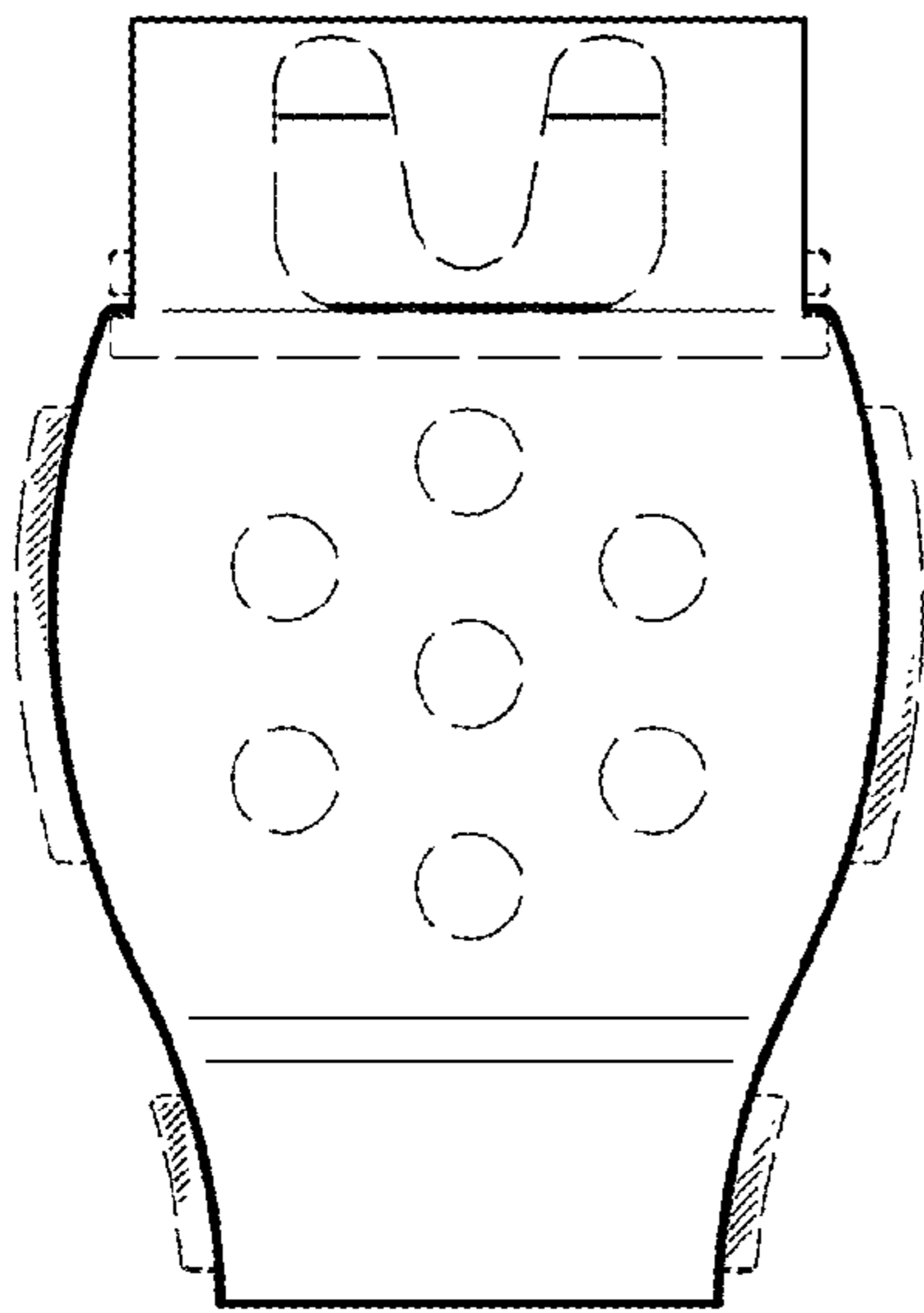


FIG. 3

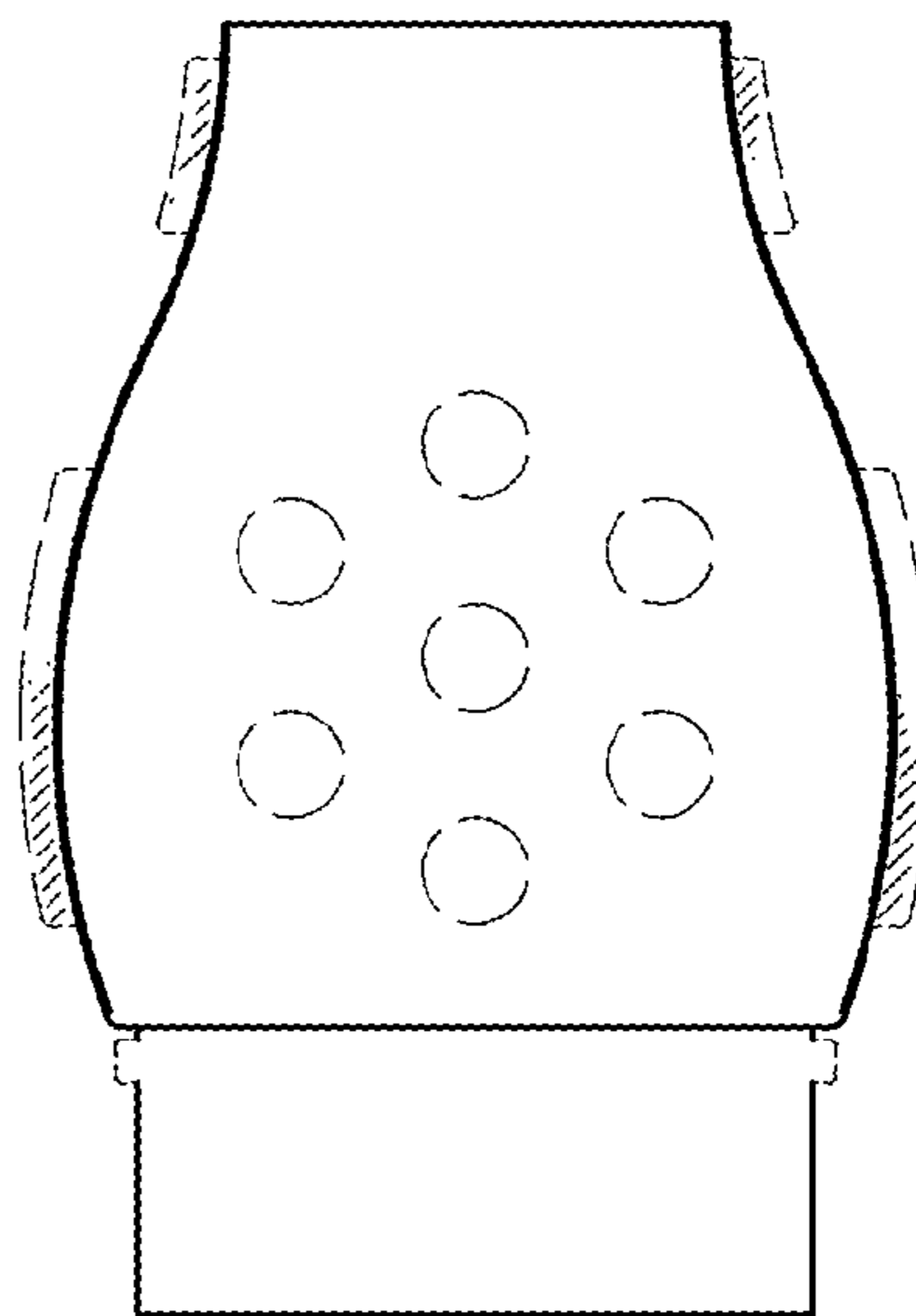


FIG. 4

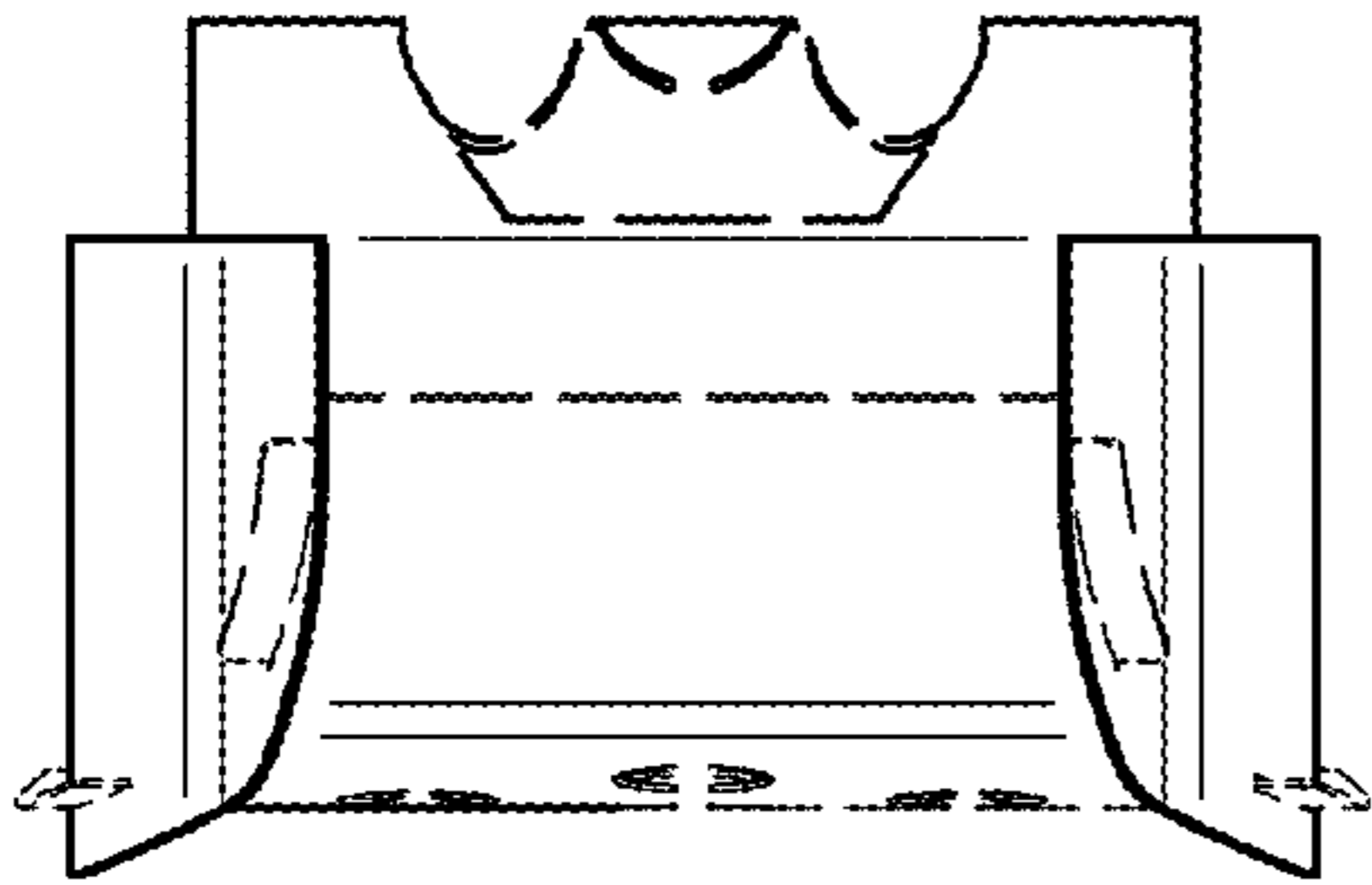


FIG. 5

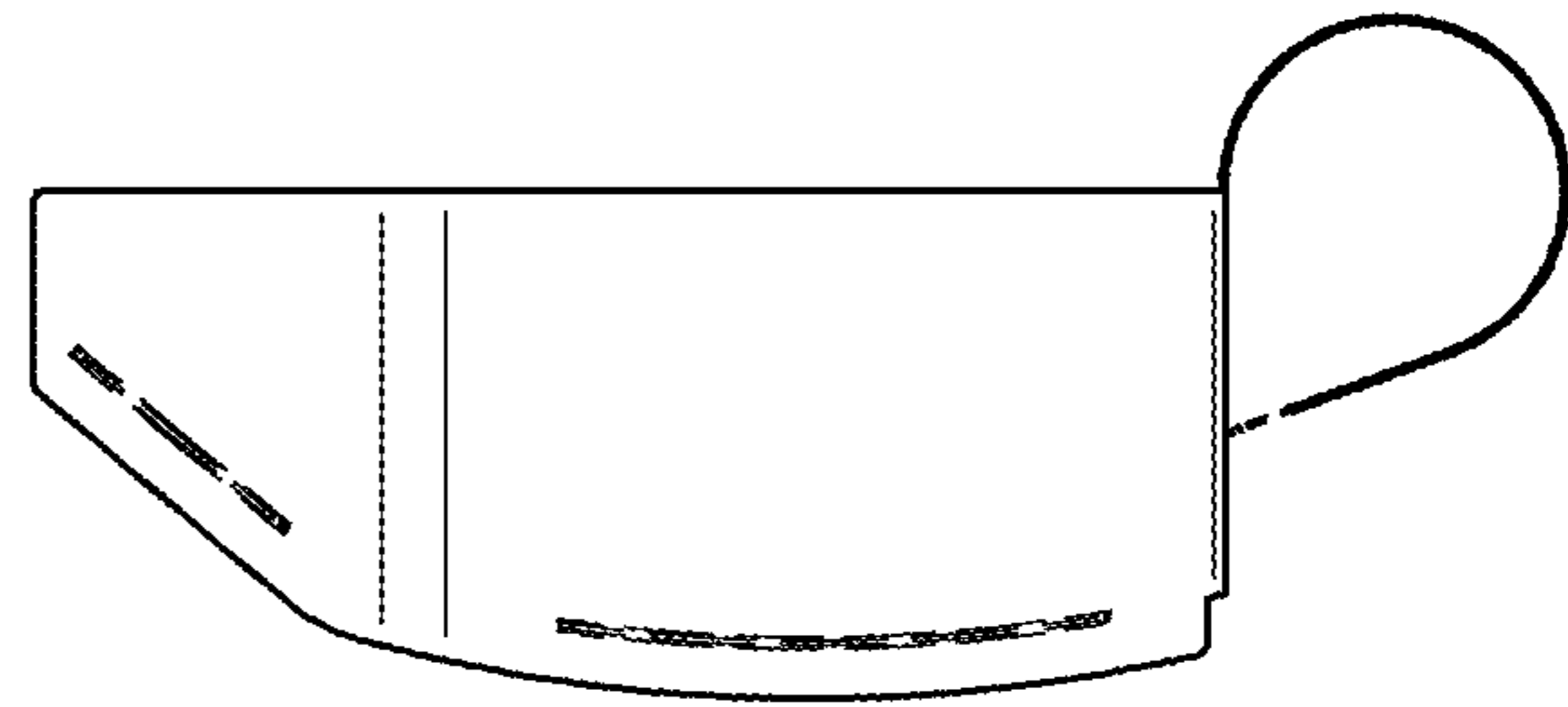


FIG. 6

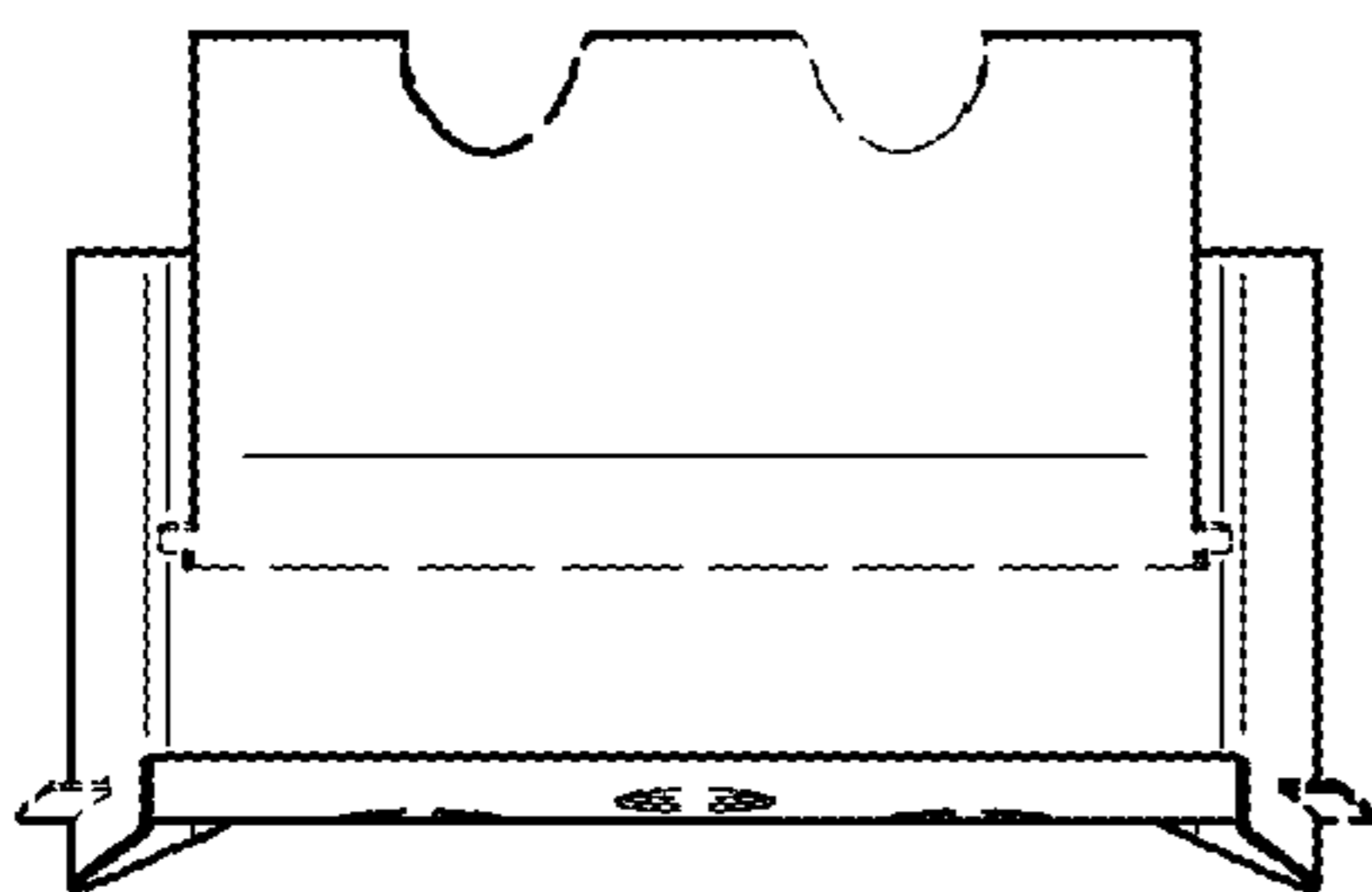


FIG. 7

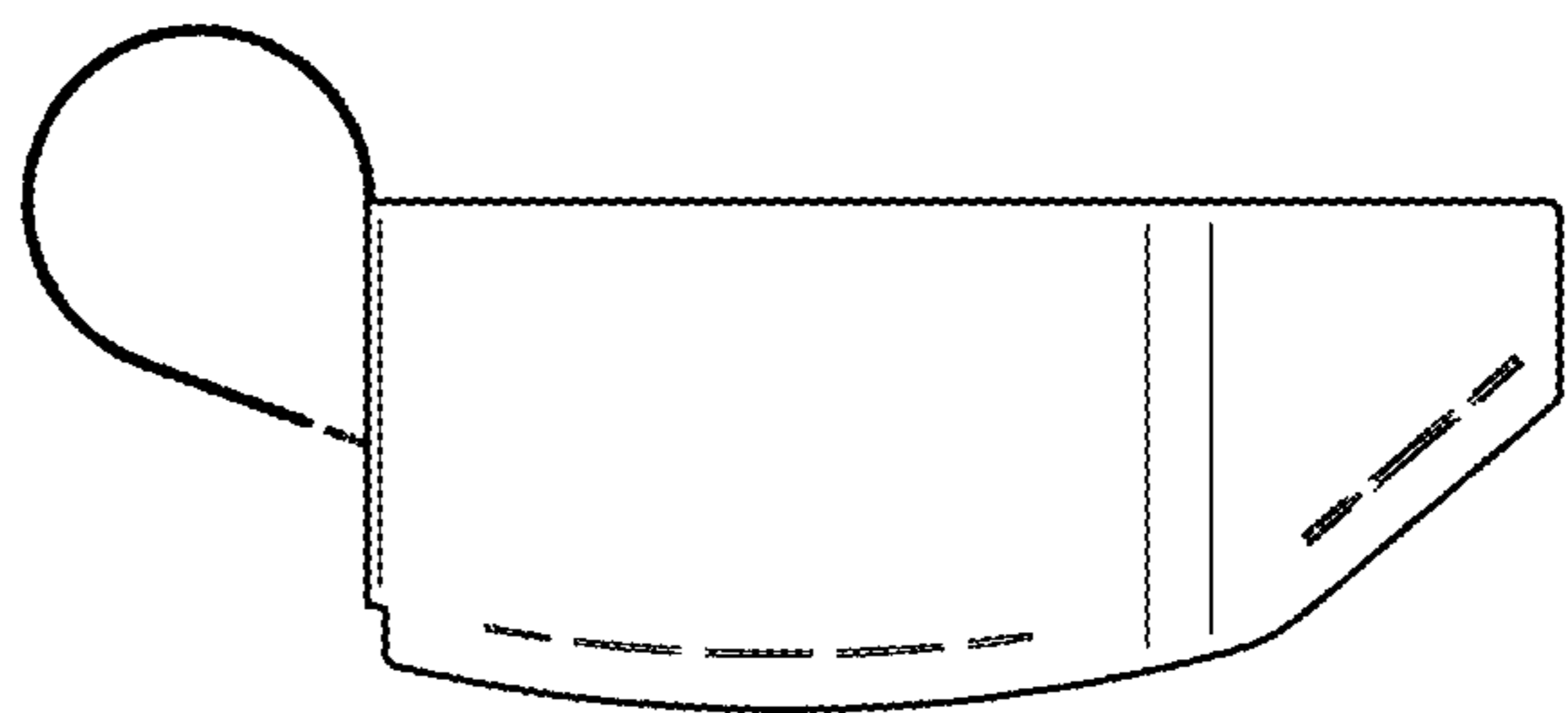


FIG. 8

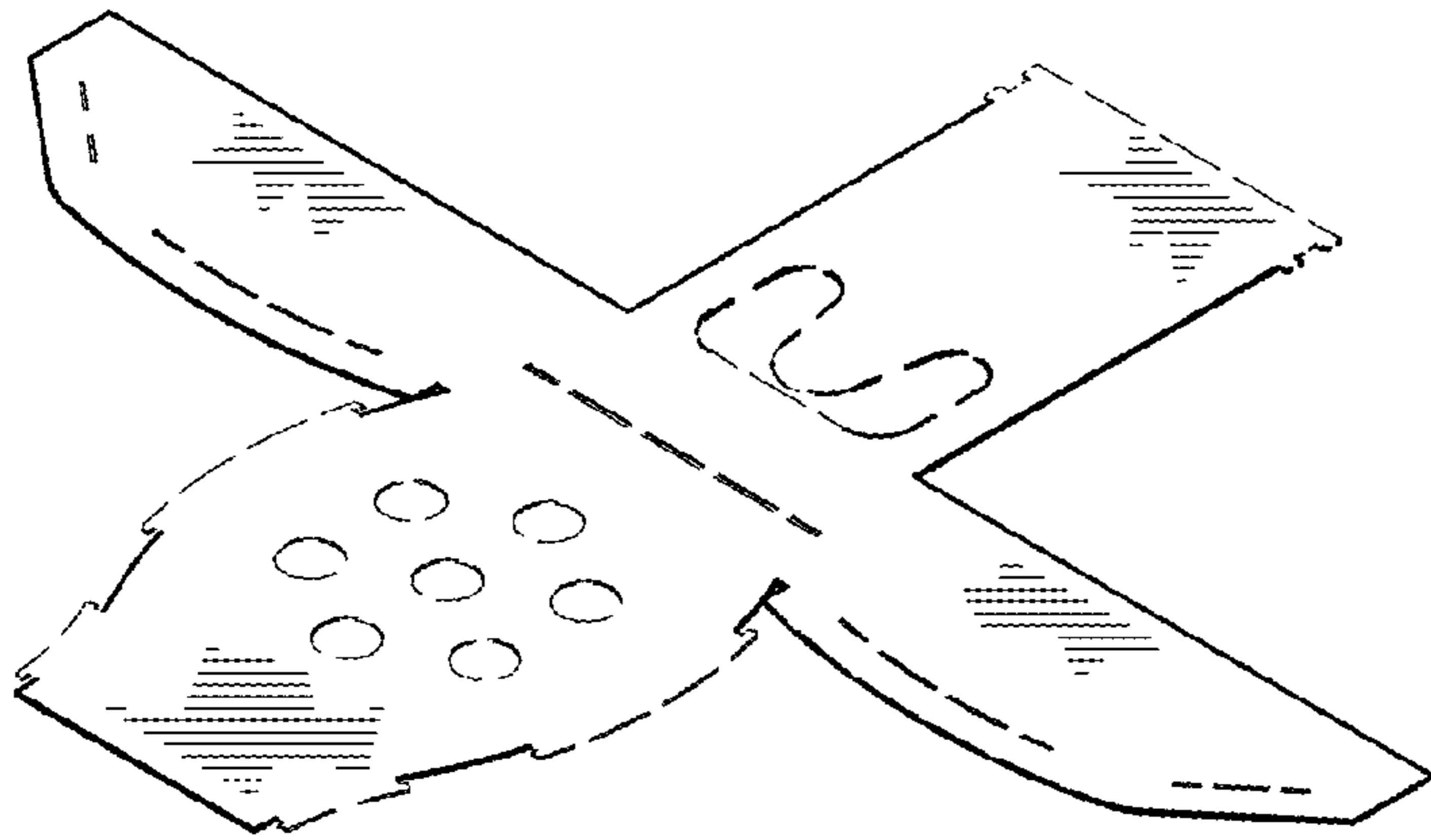


FIG. 9

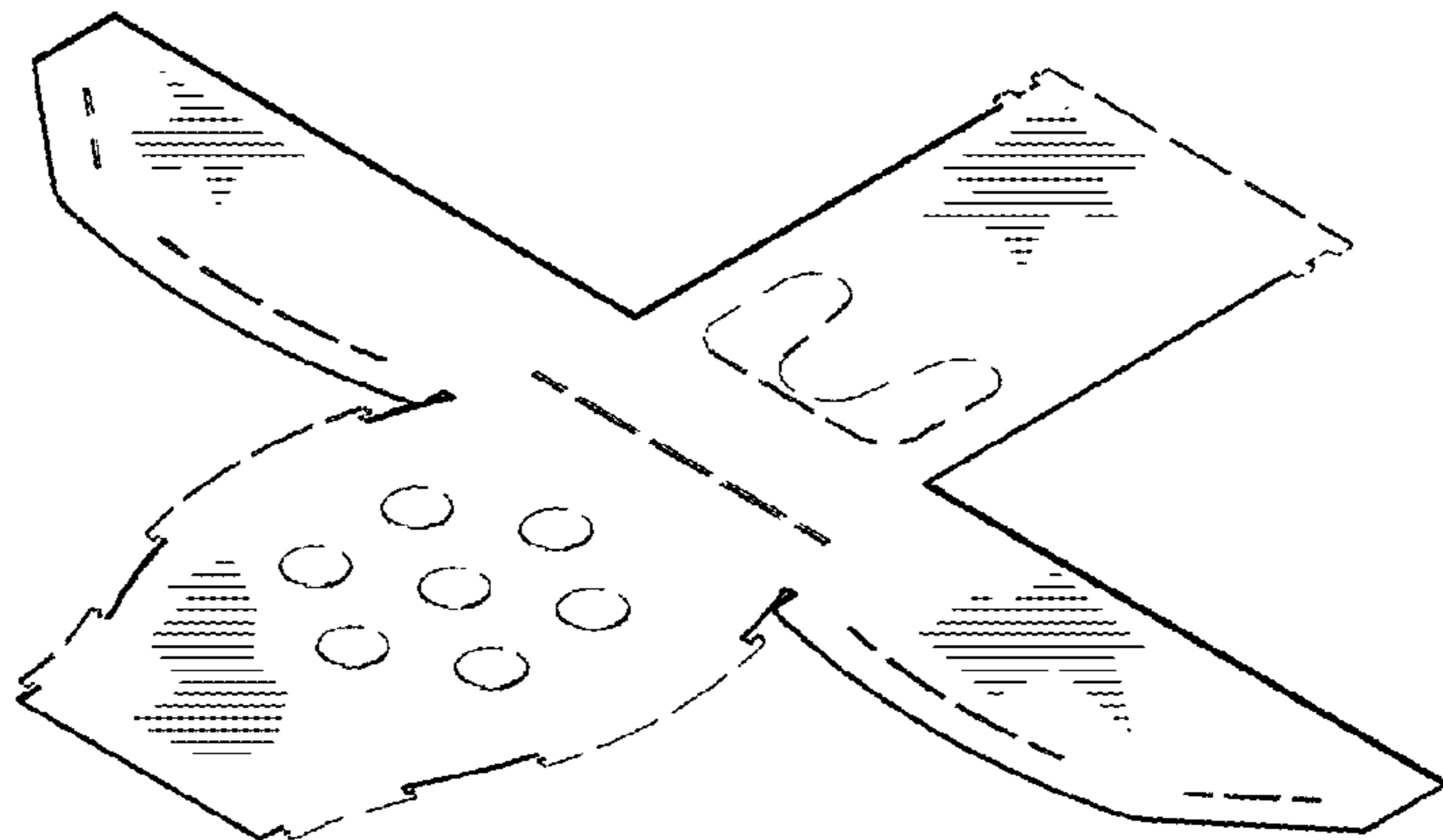


FIG. 10



FIG. 11



FIG. 12

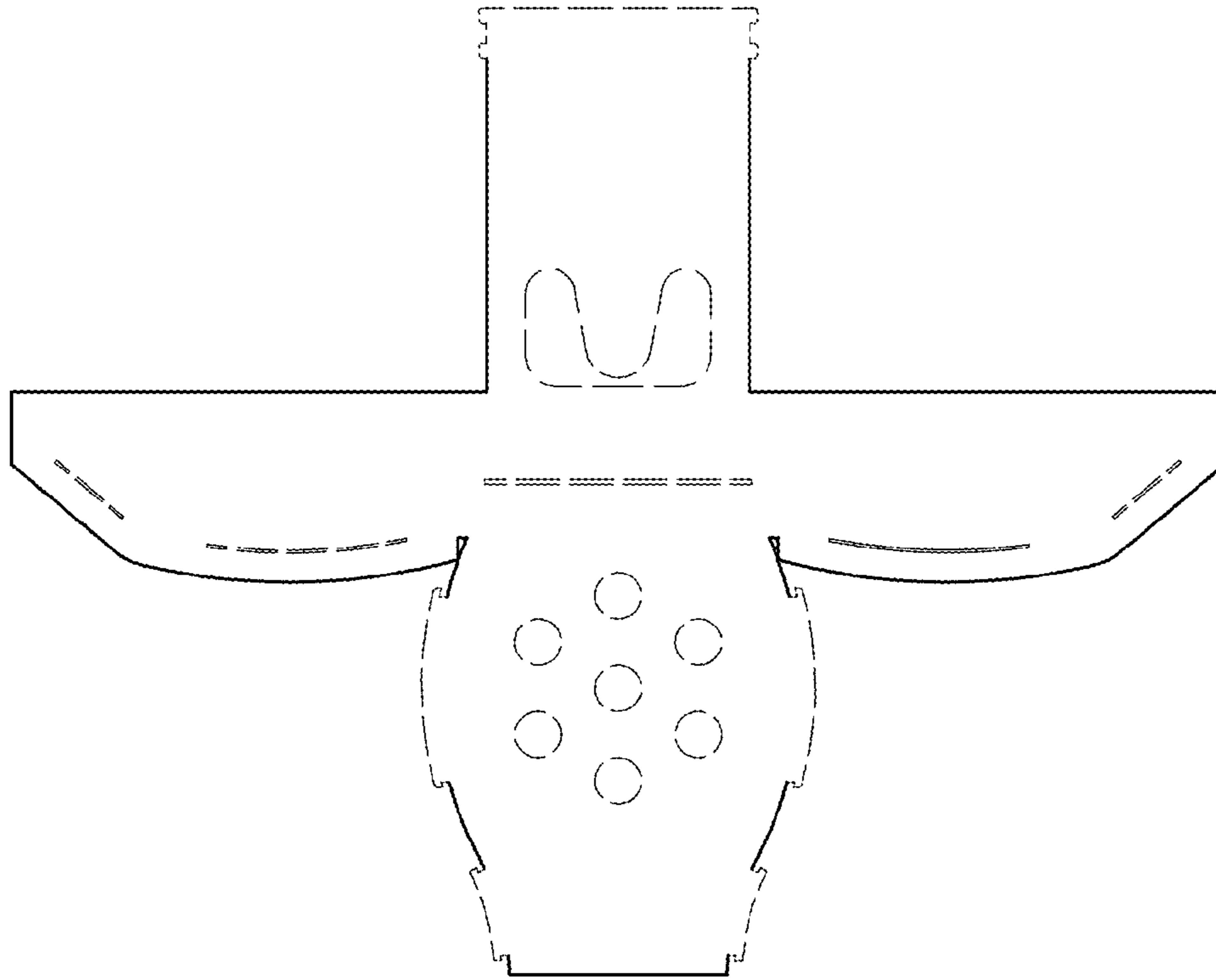


FIG. 13



FIG. 14

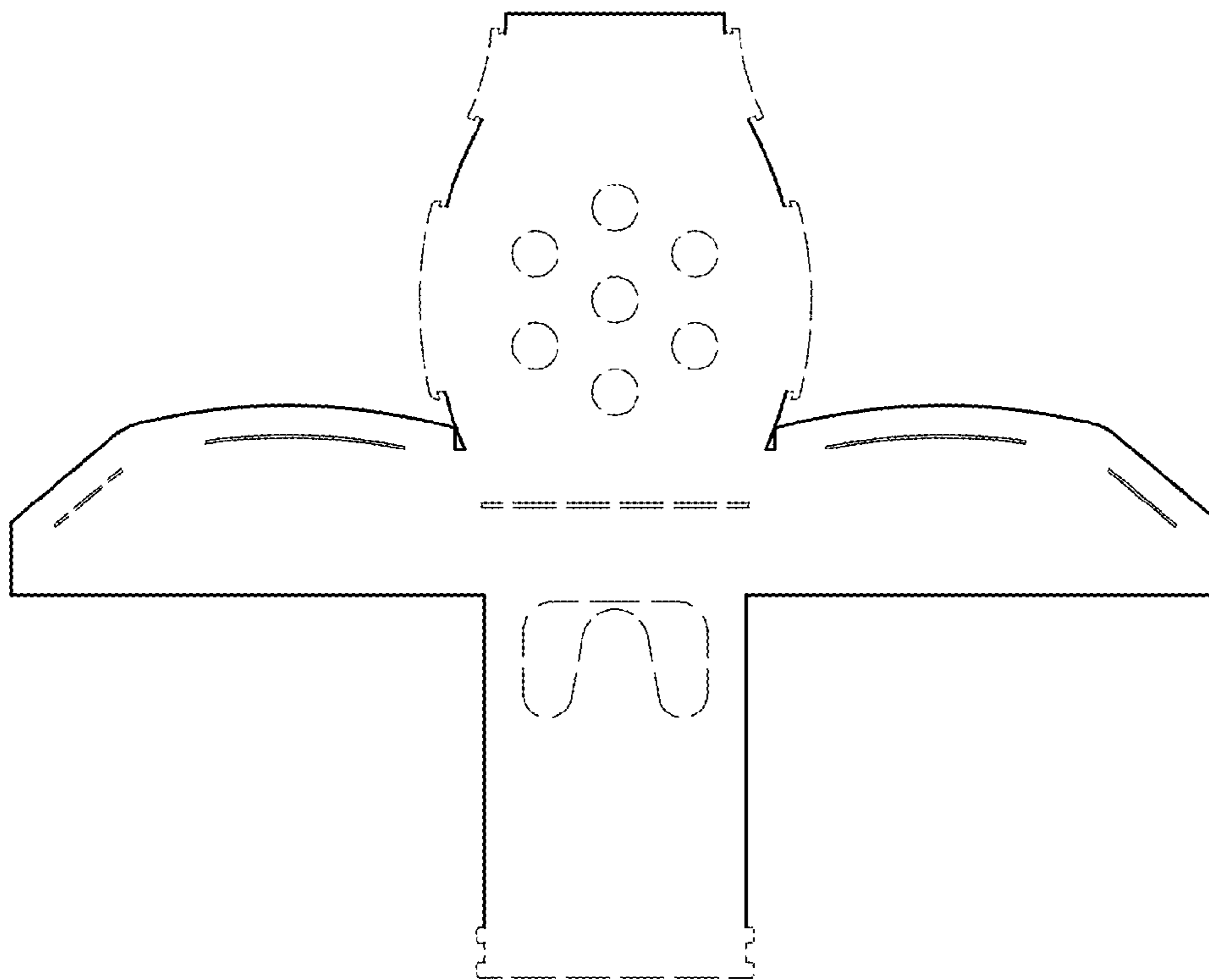


FIG. 15



FIG. 16