



US00D932259S

(12) **United States Design Patent** (10) **Patent No.:** **US D932,259 S**  
**Lapeyrouse, Jr.** (45) **Date of Patent:** **\*\* Oct. 5, 2021**

(54) **GEL CONFECTIONARY PLUNGER DISPENSER**

(71) Applicant: **FTGC, LLC**, Marrero, LA (US)

(72) Inventor: **Paul Joseph Lapeyrouse, Jr.**, Marrero, LA (US)

(73) Assignee: **FTGC, LLC**, Marrero, LA (US)

(\*\*) Term: **15 Years**

(21) Appl. No.: **35/001,775**

(22) Filed: **Dec. 5, 2019**

(80) **Hague Agreement Data**

Int. Filing Date: **Dec. 5, 2019**

Int. Reg. No.: **DM/209027**

Int. Reg. Date: **Dec. 5, 2019**

Int. Reg. Pub. Date: **Jul. 10, 2020**

(51) **LOC (13) Cl.** ..... **07-04**

(52) **U.S. Cl.**  
USPC ..... **D7/669**

(58) **Field of Classification Search**

USPC ..... D7/368, 665, 666, 668, 669

CPC ..... B05C 17/00; B05C 17/01; B05C 17/0016;  
B05C 17/0123; B05C 1/00; B05C 21/00

See application file for complete search history.

(56) **References Cited**

U.S. PATENT DOCUMENTS

- 2,634,692 A \* 4/1953 Sherbondy ..... A23G 3/28  
425/172  
D375,875 S \* 11/1996 Hutzler ..... D7/669  
D393,574 S \* 4/1998 Perkins ..... D7/669  
D425,411 S 5/2000 May  
D462,584 S \* 9/2002 So ..... D7/669  
D468,631 S 1/2003 Hart et al.  
6,599,126 B1 7/2003 Sale et al.  
D490,961 S 6/2004 Hart et al.  
D513,187 S 12/2005 Ruiz

- D516,430 S 3/2006 Ruiz  
7,025,232 B2 4/2006 Green  
D526,761 S 8/2006 Hoffman  
D526,901 S 8/2006 Ruiz  
D625,608 S 10/2010 Shecter  
D810,390 S 2/2018 Lapeyrouse, Jr.  
2002/0142073 A1 10/2002 Baker

(Continued)

FOREIGN PATENT DOCUMENTS

- JP 2016220887 A 12/2016  
WO DM103431 2/2018  
WO DM209154 3/2019

OTHER PUBLICATIONS

Espacenet English Abstract for JP2016220887 A, printed on Oct. 26, 2020.

*Primary Examiner* — Michael A. Pratt

(74) *Attorney, Agent, or Firm* — Cahn & Samuels, LLP

(57) **CLAIM**

The ornamental design for a gel confectionery plunger dispenser, as shown and described.

**DESCRIPTION**

1. Gel confectionery plunger dispenser

1.1 : Perspective

1.2 : Top

1.3 : Bottom

1.4 : Front

1.5 : Back

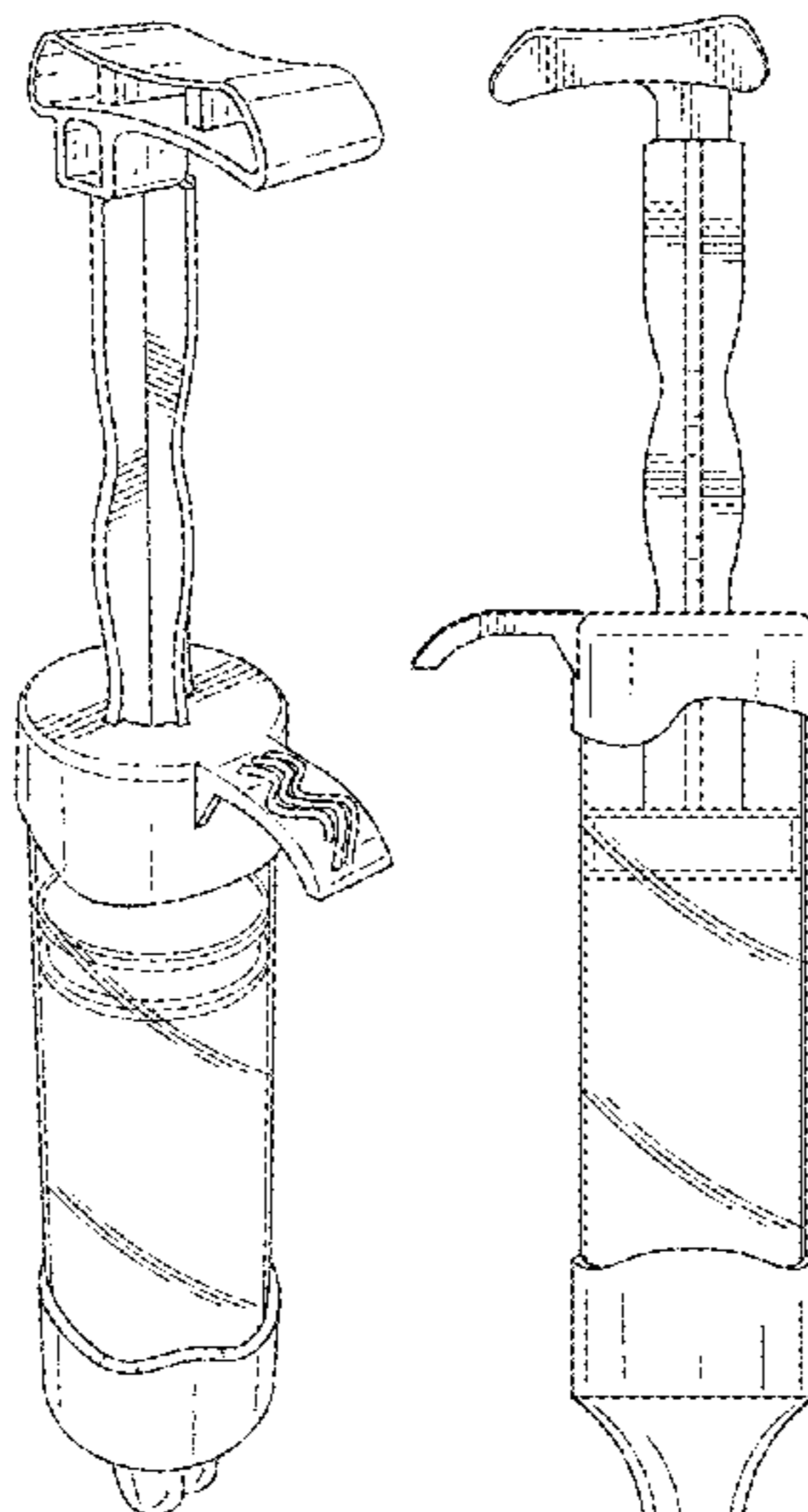
1.6 : Right

1.7 : Left

1.8 : Exploded

A tubular liquid/gel container with finger grip at one end and an axially projecting depressible plunger extending from that container end for squirting gel confectionery from the container through a conical dispensing nozzle/tip at the opposite end.

**1 Claim, 8 Drawing Sheets**



(56)

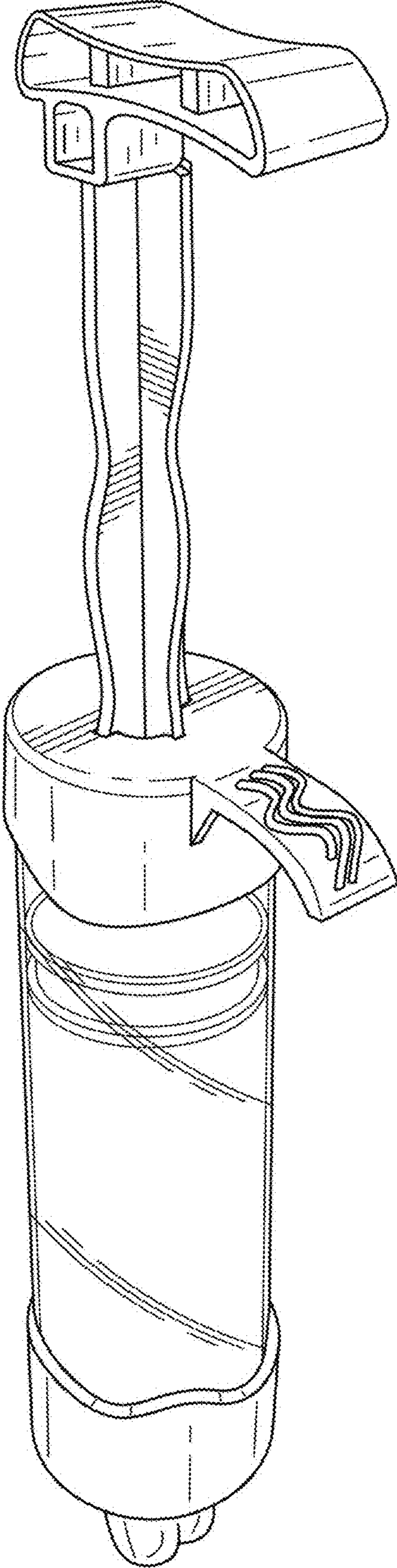
**References Cited**

U.S. PATENT DOCUMENTS

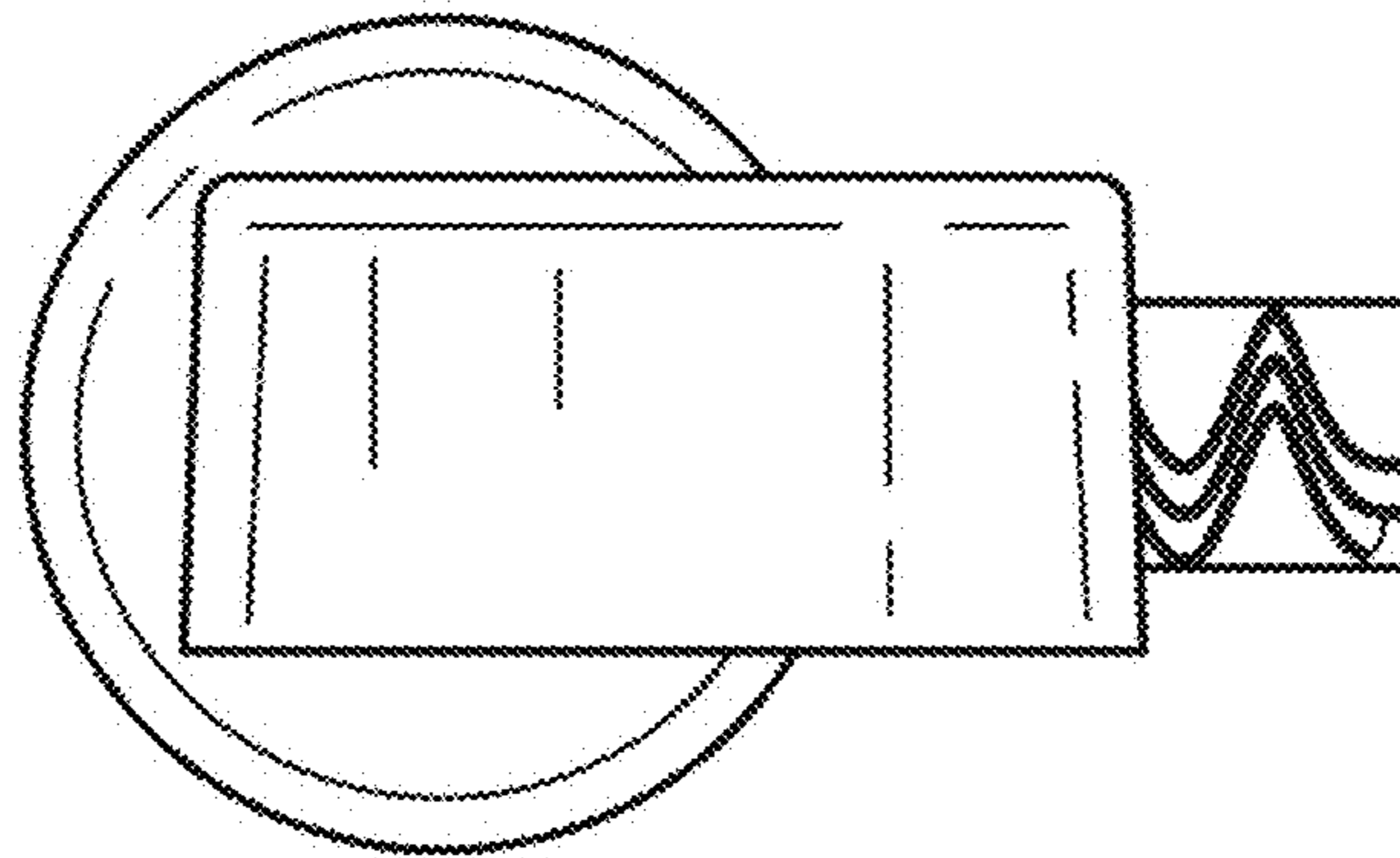
2003/0082279 A1 5/2003 Chan  
2003/0215549 A1 11/2003 Coleman et al.

\* cited by examiner

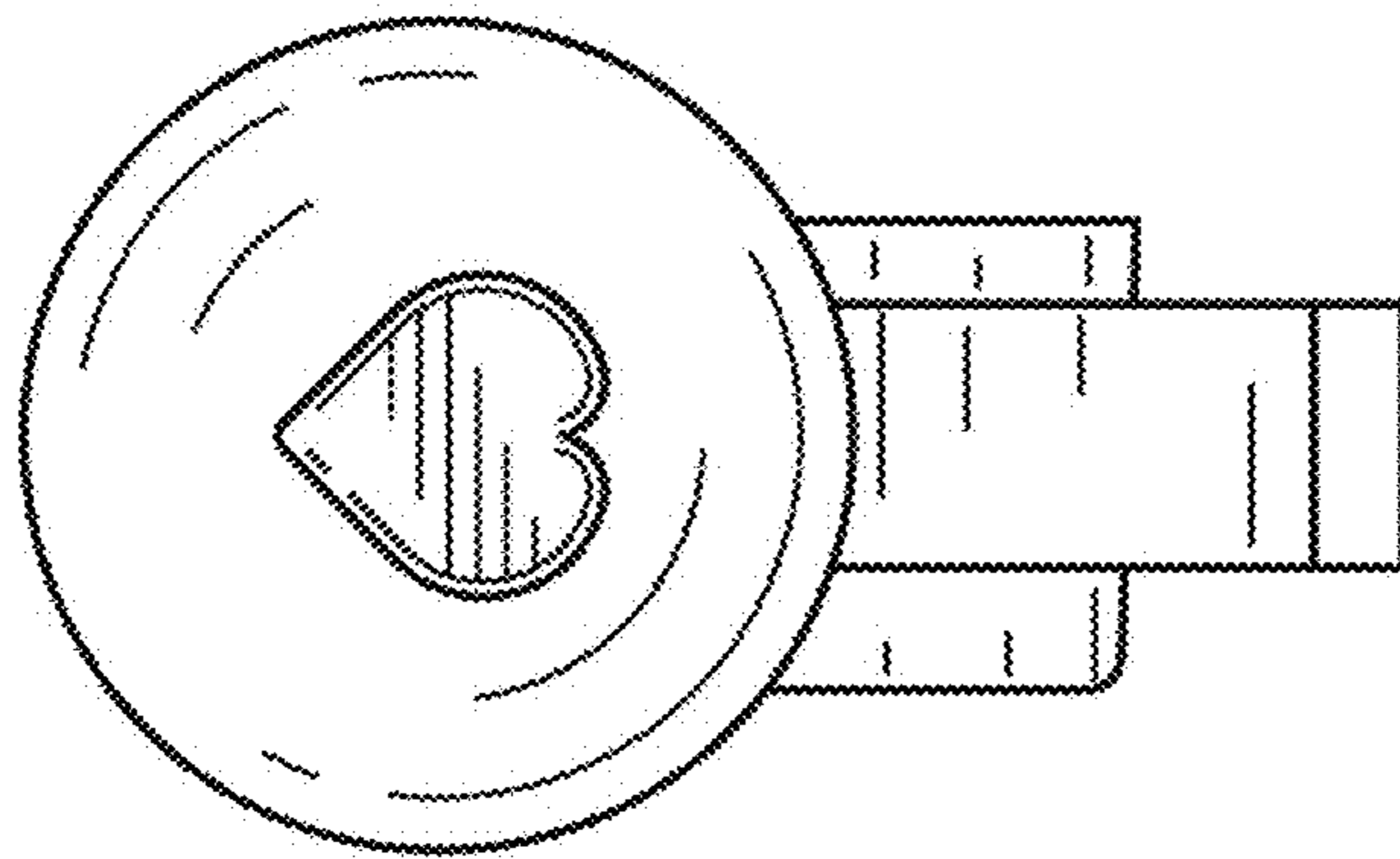
1.1



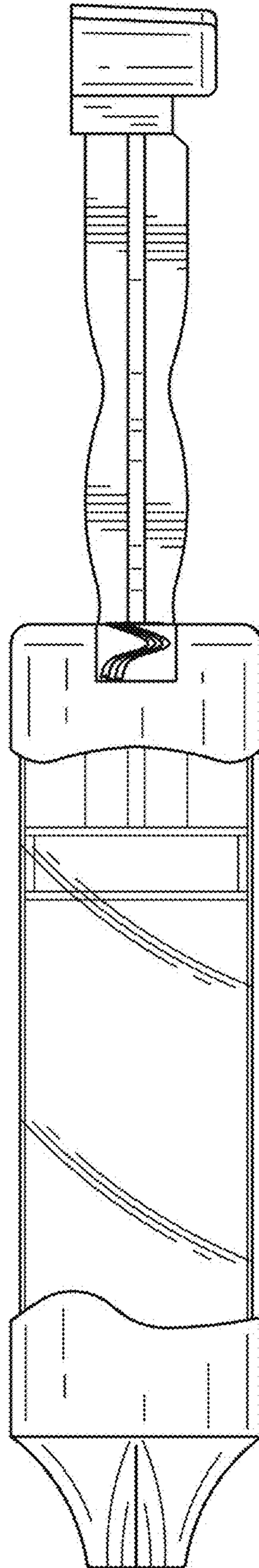
1.2



1.3

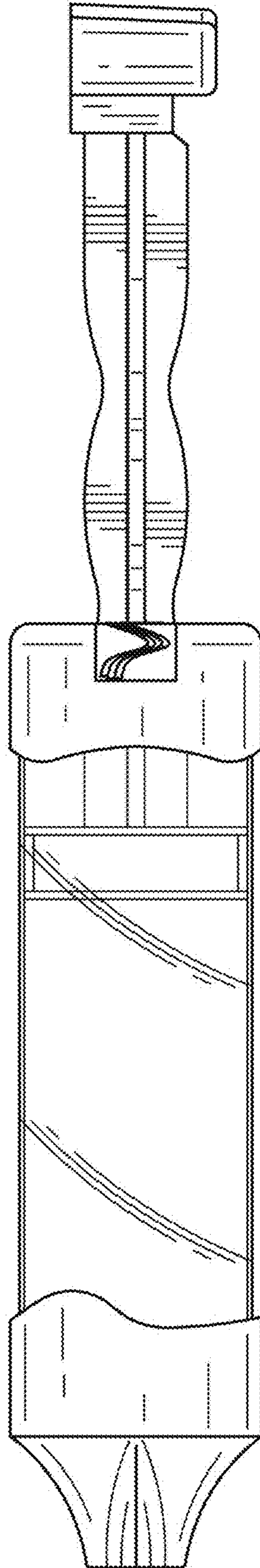


1.4

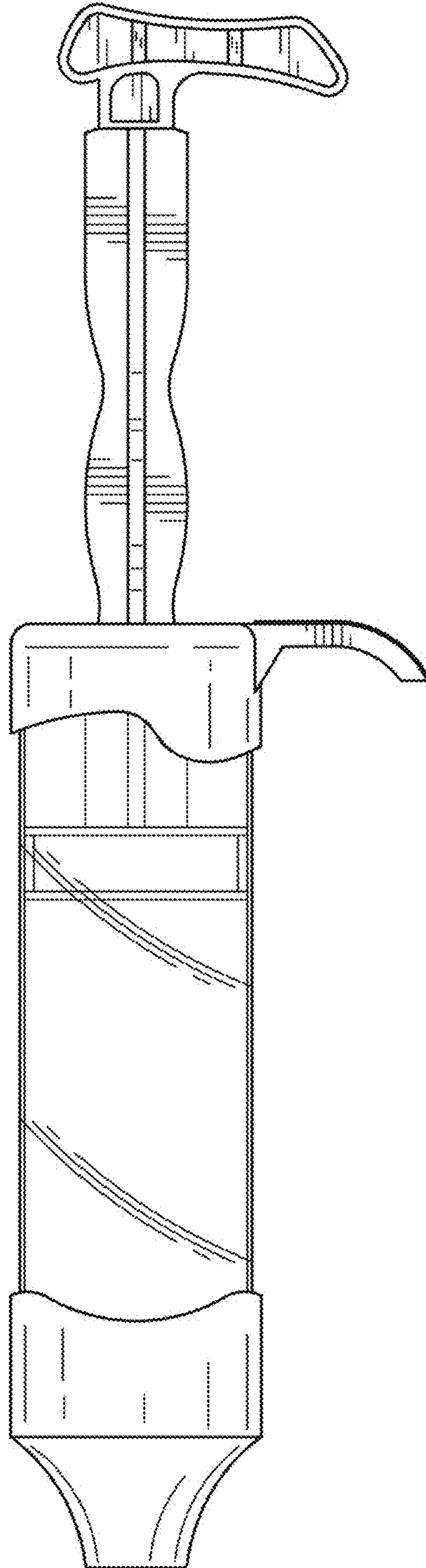




1.5

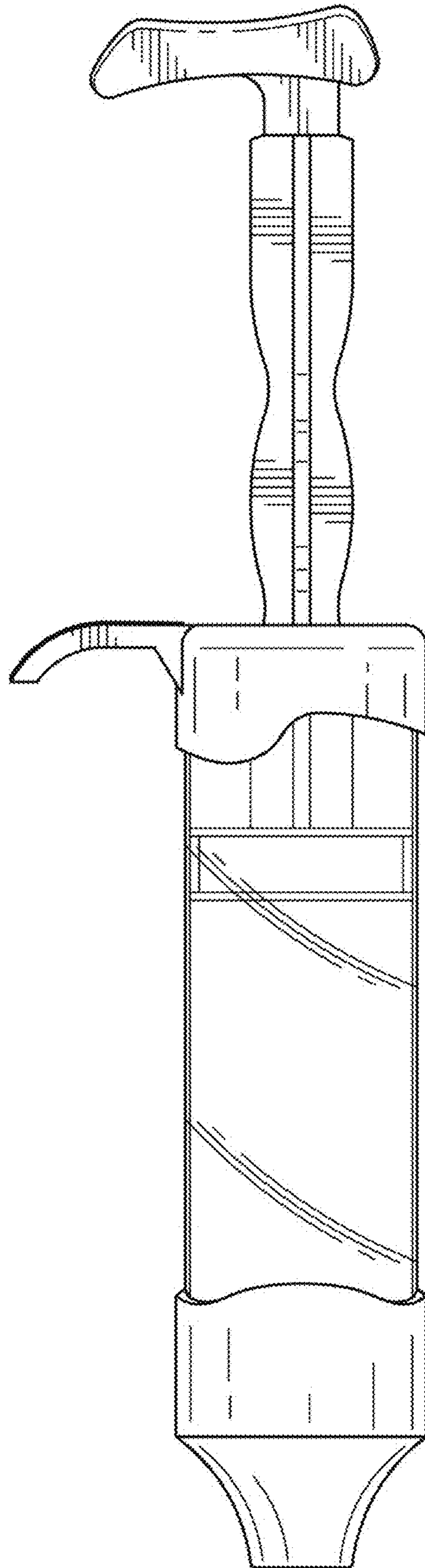


1.6





1.7



1.8

