



US00D932256S

(12) **United States Design Patent** (10) **Patent No.:** **US D932,256 S**  
**Serrahima et al.** (45) **Date of Patent:** **\*\* Oct. 5, 2021**

(54) **FOOD CONTAINER**

5,258,191 A 11/1993 Hayes  
5,443,853 A 8/1995 Hayes  
5,944,211 A 8/1999 Woodnorth et al.  
(Continued)

(71) Applicant: **Can't Live Without It, LLC**, New York, NY (US)

(72) Inventors: **Mario Quintana Serrahima**, Sour (LB); **Clay Allen Bums**, New York, NY (US); **Eric Charles Fleischer**, New York, NY (US)

(73) Assignee: **Can't Live Without It, LLC**, New York, NY (US)

(\*\*) Term: **15 Years**

(21) Appl. No.: **29/721,772**

(22) Filed: **Jan. 23, 2020**

**OTHER PUBLICATIONS**

U.S. Appl. No. 29/673,846, "Notice of Allowance", dated Dec. 18, 2019, 9 pages.

*Primary Examiner* — Cynthia R Underwood  
(74) *Attorney, Agent, or Firm* — Kilpatrick Townsend & Stockton LLP

(57) **CLAIM**

The ornamental design for a food container having the shape and configuration, as shown and described.

**DESCRIPTION**

FIG. 1 is a top perspective view of a food container. FIG. 2 is a front elevation view of the food container of FIG. 1. FIG. 3 is a rear elevation view of the food container of FIG. 1. FIG. 4 is a left side elevation view of the food container of FIG. 1. FIG. 5 is right side elevation view of the food container of FIG. 1. FIG. 6 is a top plan view of the food container of FIG. 1. FIG. 7 is a bottom plan view of the food container of FIG. 1; and, FIG. 8 is a top perspective view of the food container of FIG. 1, showing the handle in an alternate position of use. The evenly broken lines represent portions of the structure that forms no part of the claim. The dash-dot-dot-dash boundary lines represent boundaries of the claim and form no part of the claim. The dash-dot-dash broken line represents a symbolic break along the height of the container with the dash-dot-dash lines and the space between the break forming no part of the claim.

**Related U.S. Application Data**

(63) Continuation of application No. 29/673,846, filed on Dec. 18, 2018, now Pat. No. Des. 881,653.

(51) **LOC (13) Cl.** ..... **09-07**

(52) **U.S. Cl.**  
USPC ..... **D7/629; D7/538**

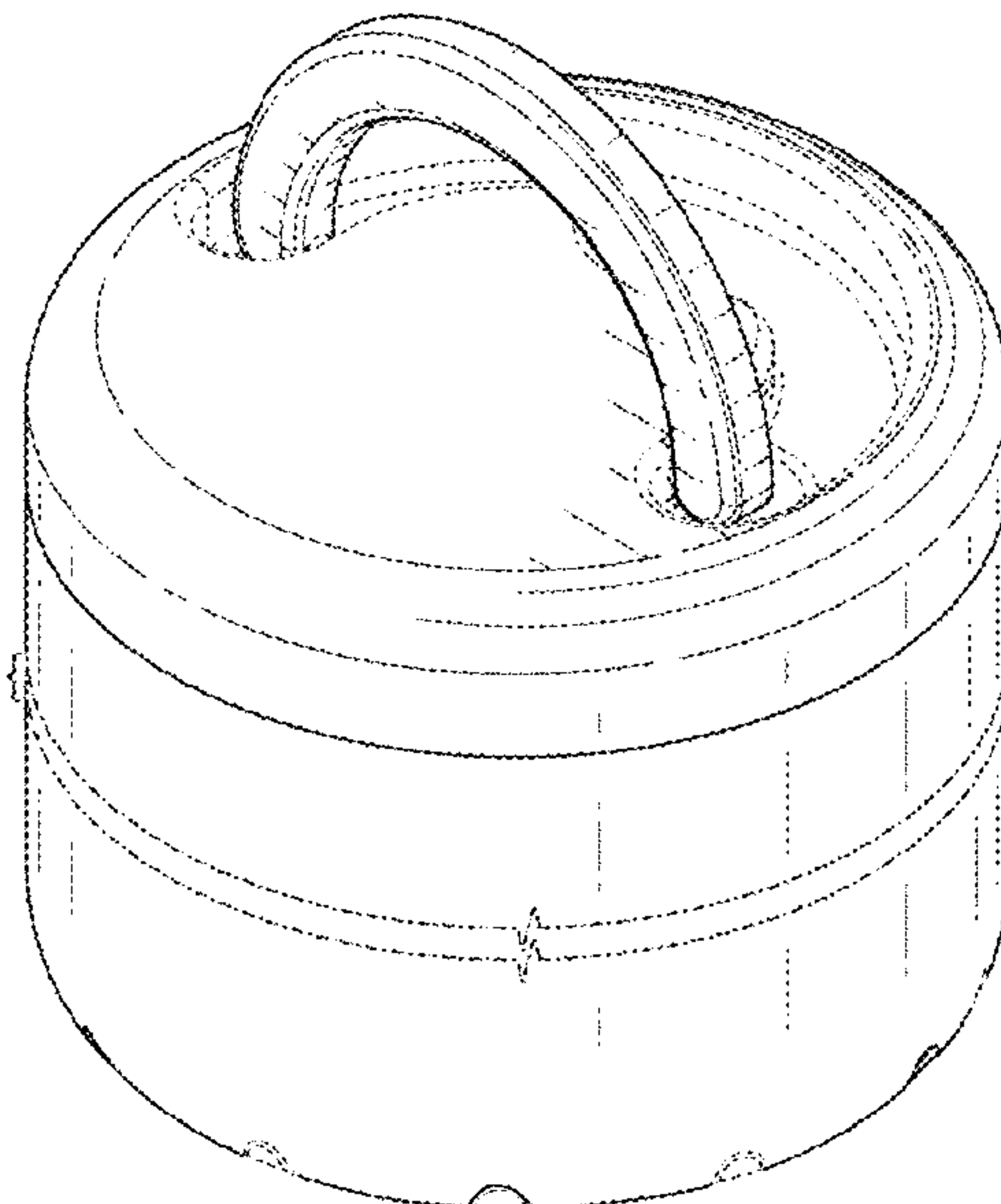
(58) **Field of Classification Search**  
USPC ..... D7/601, 602, 553.1, 584, 629; 426/85  
CPC ..... A47G 19/02; A47G 19/025; B65D 1/24; B65D 1/36; A45C 11/20; B42F 9/00  
See application file for complete search history.

(56) **References Cited**

**U.S. PATENT DOCUMENTS**

835,166 A 11/1906 Staunton  
1,296,742 A \* 3/1919 Bevington ..... B65D 21/086  
220/8  
2,416,900 A 3/1947 Busby  
D254,180 S \* 2/1980 Morin ..... D7/612  
D308,336 S 6/1990 Delbanco  
5,131,558 A 7/1992 Hiramori

**1 Claim, 6 Drawing Sheets**



(56)

**References Cited**

## U.S. PATENT DOCUMENTS

D416,797	S	11/1999	Rabe et al.	
D433,331	S	11/2000	Denham et al.	
D567,032	S	4/2008	Gilbert	
D601,383	S	10/2009	Shah	
D612,235	S *	3/2010	Cresswell .....	D9/443
D612,240	S *	3/2010	Cresswell .....	D9/504
D643,694	S *	8/2011	Lu .....	D7/629
D653,913	S	2/2012	Stamper et al.	
D672,612	S	12/2012	Stamper et al.	
D673,009	S	12/2012	Stamper et al.	
D702,892	S *	4/2014	Duvigneau .....	D30/121
D703,997	S *	5/2014	Munari .....	D7/393
D716,094	S *	10/2014	Wang .....	D7/306
D759,434	S	6/2016	Duvigneau	
D789,152	S	6/2017	Wall	
D793,170	S	8/2017	Karussi et al.	
D794,393	S *	8/2017	Karussi .....	D7/538
D794,394	S	8/2017	Karussi	
D816,278	S *	4/2018	Keil .....	D30/129
D821,822	S	7/2018	Brown	
D828,068	S *	9/2018	Tsui .....	D7/313
D854,381	S	7/2019	Yang	
D891,191	S *	7/2020	Binyk .....	D7/602
D893,959	S *	8/2020	Lane .....	D7/629
D895,372	S *	9/2020	Loudenslager .....	D7/584
D911,783	S *	3/2021	Wahl .....	D7/605
10,968,029	B1 *	4/2021	Rane .....	B65D 81/3823
D919,447	S *	5/2021	Archambault .....	D9/761
2009/0120937	A1	5/2009	Vovan	
2013/0248531	A1	9/2013	Lane	
2016/0176614	A1	6/2016	Mittal et al.	
2018/0148240	A1 *	5/2018	Abbey .....	A47G 19/02

\* cited by examiner

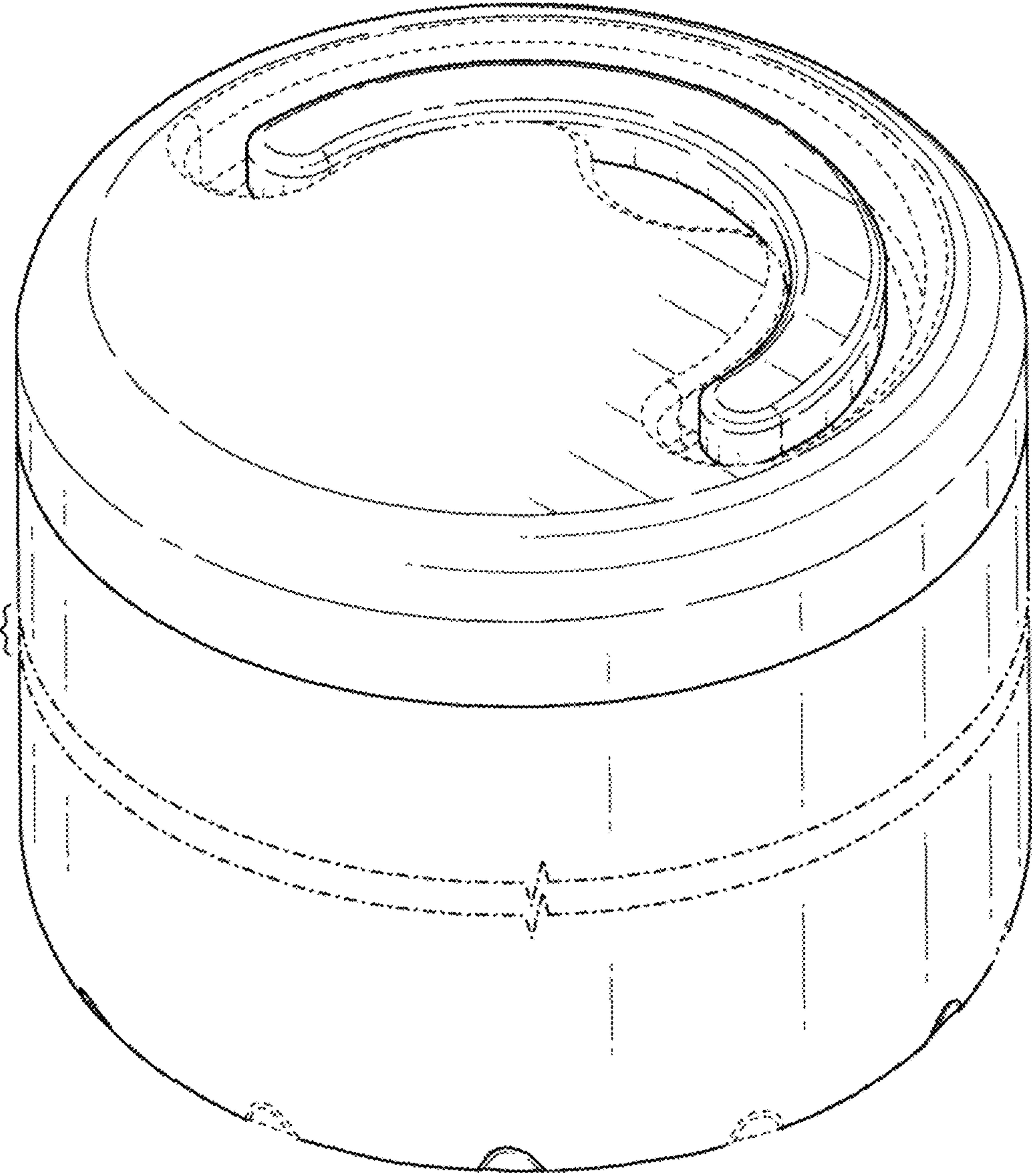


FIG. 1

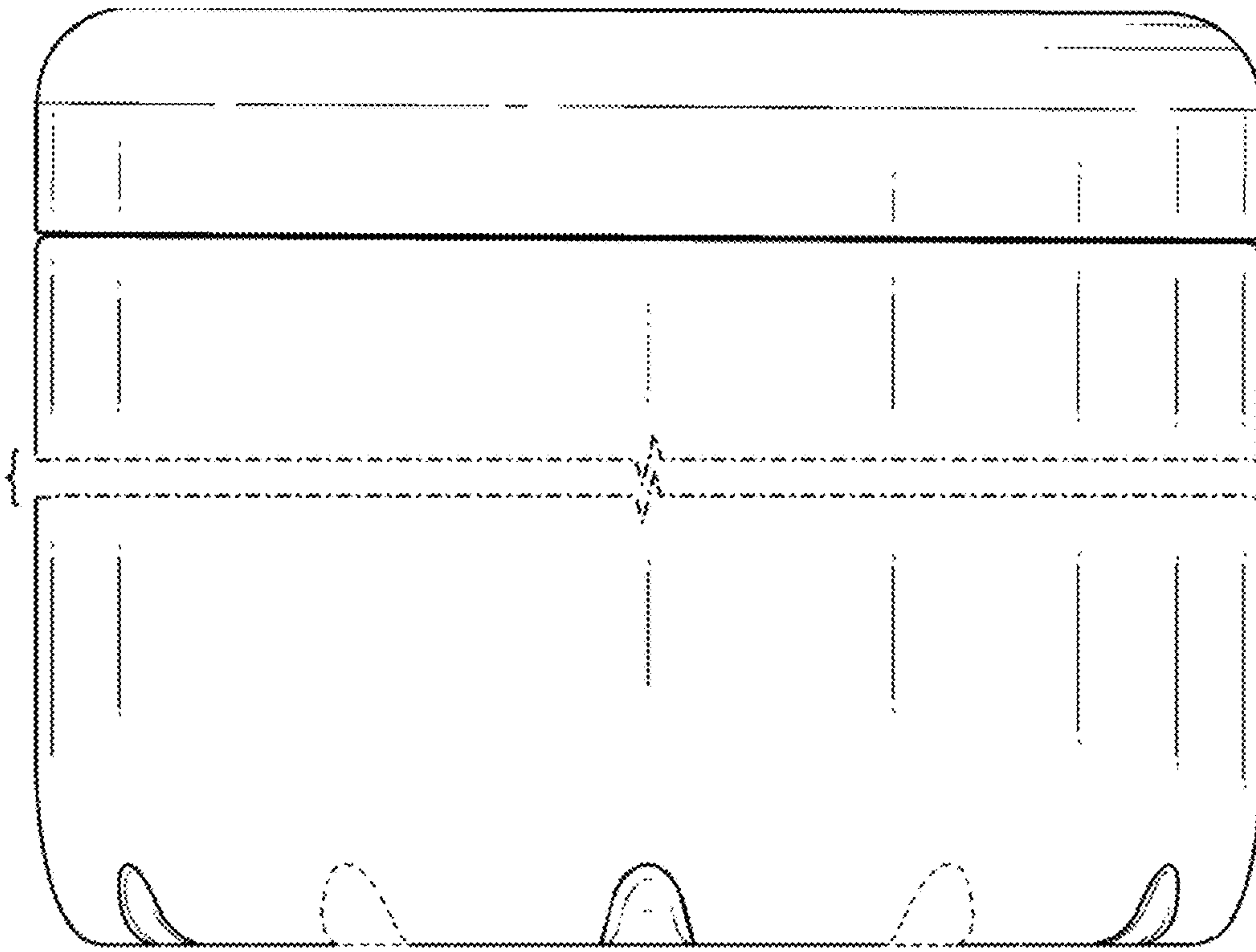


FIG. 2

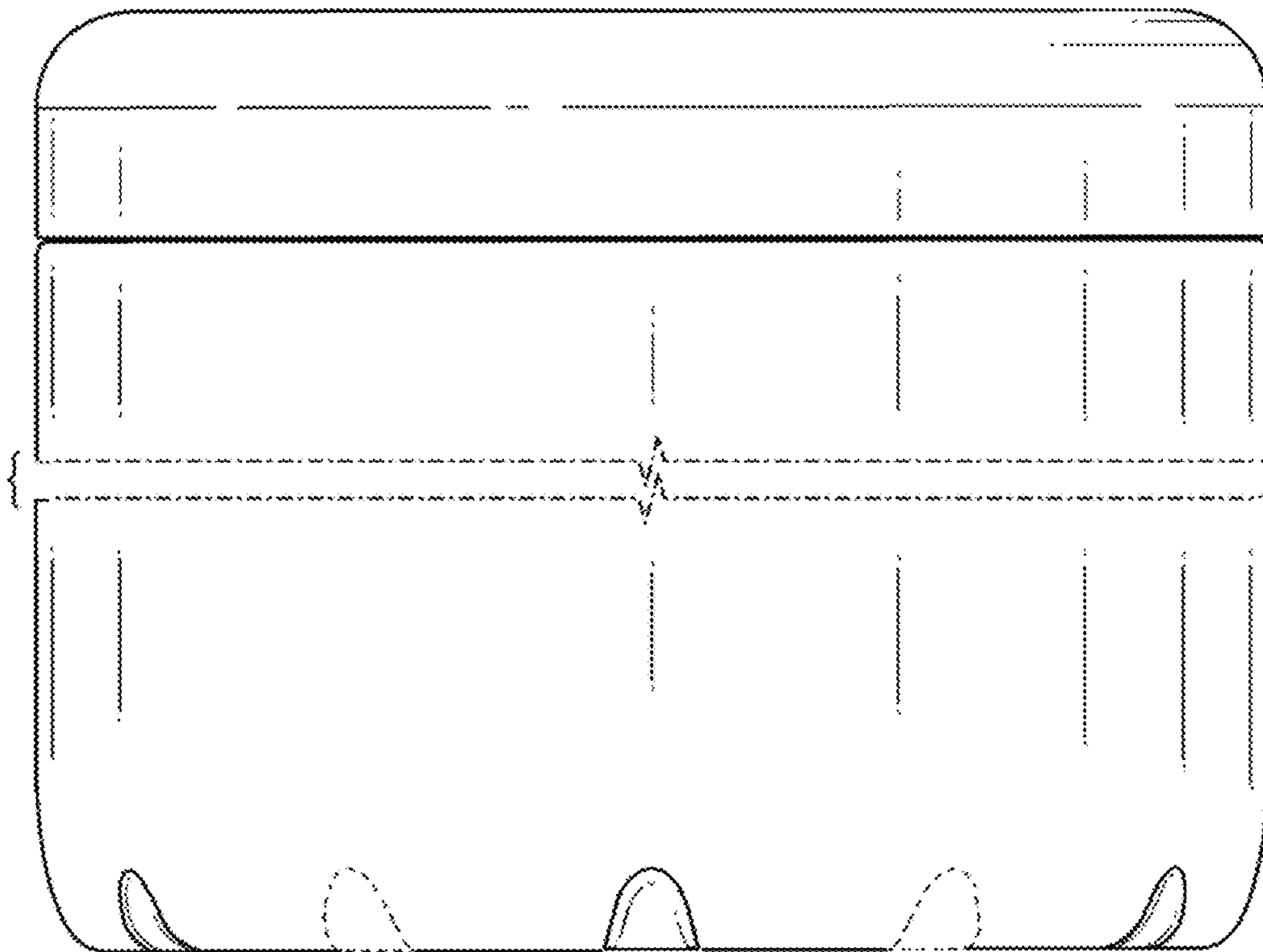


FIG. 3



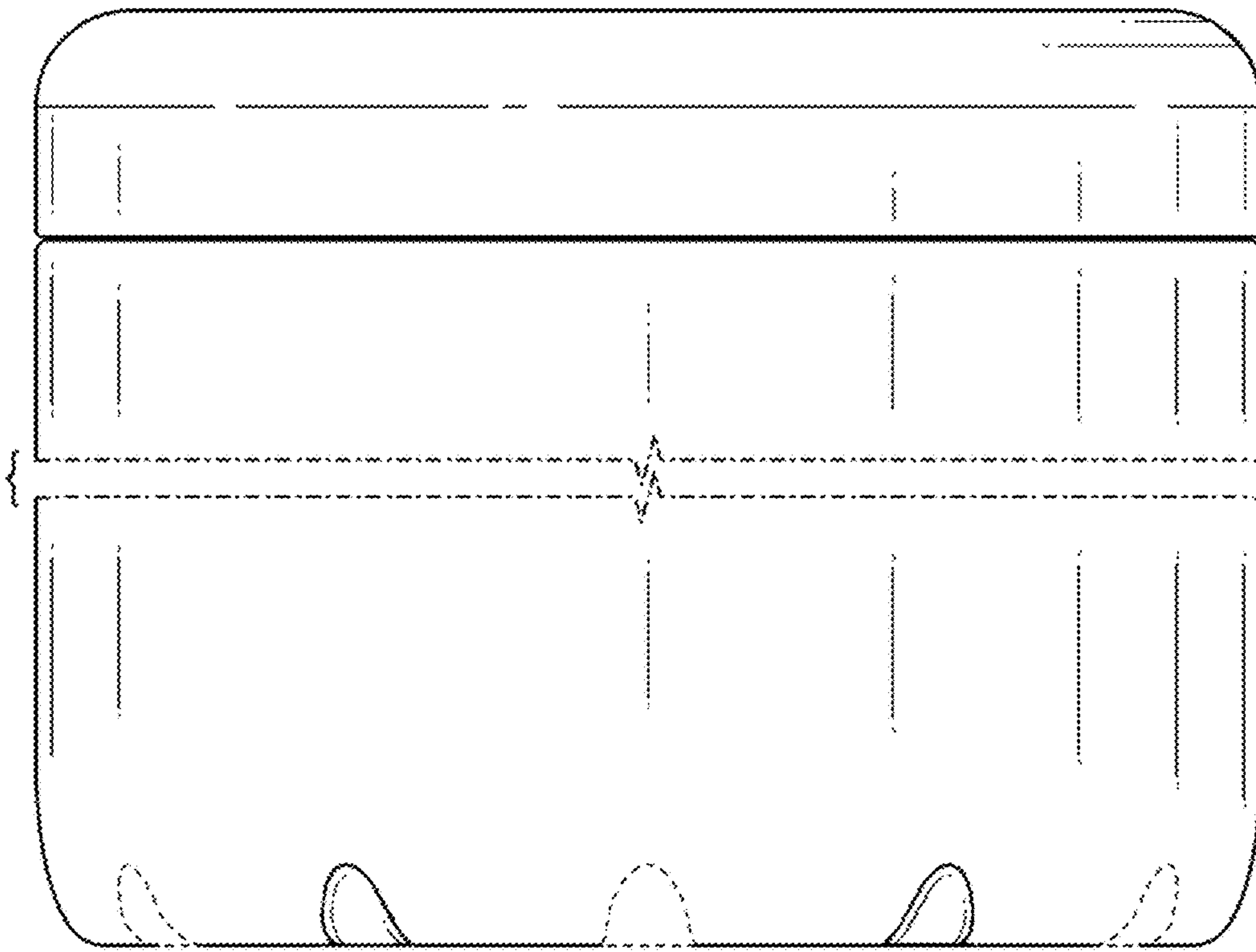


FIG. 4

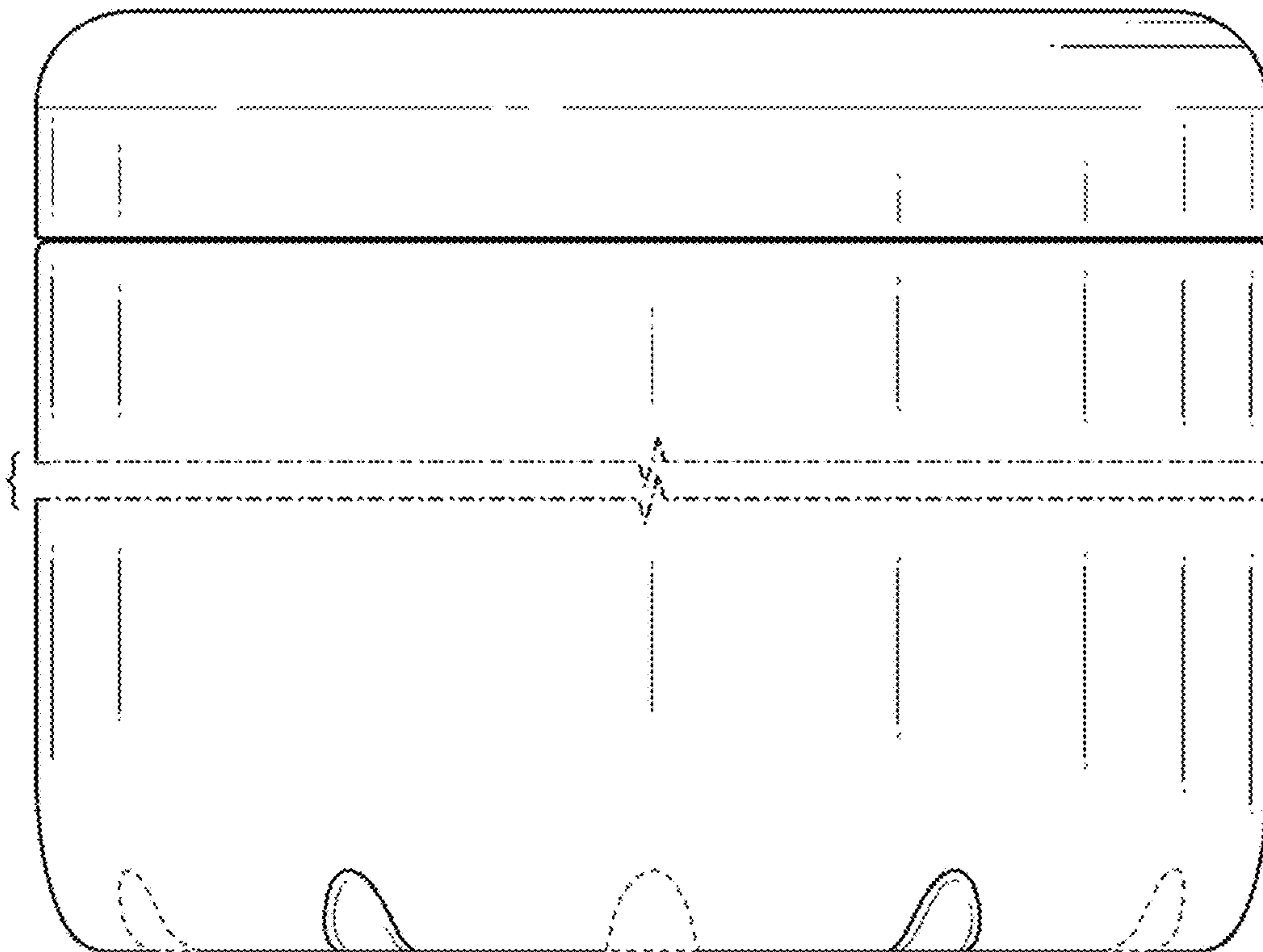


FIG. 5

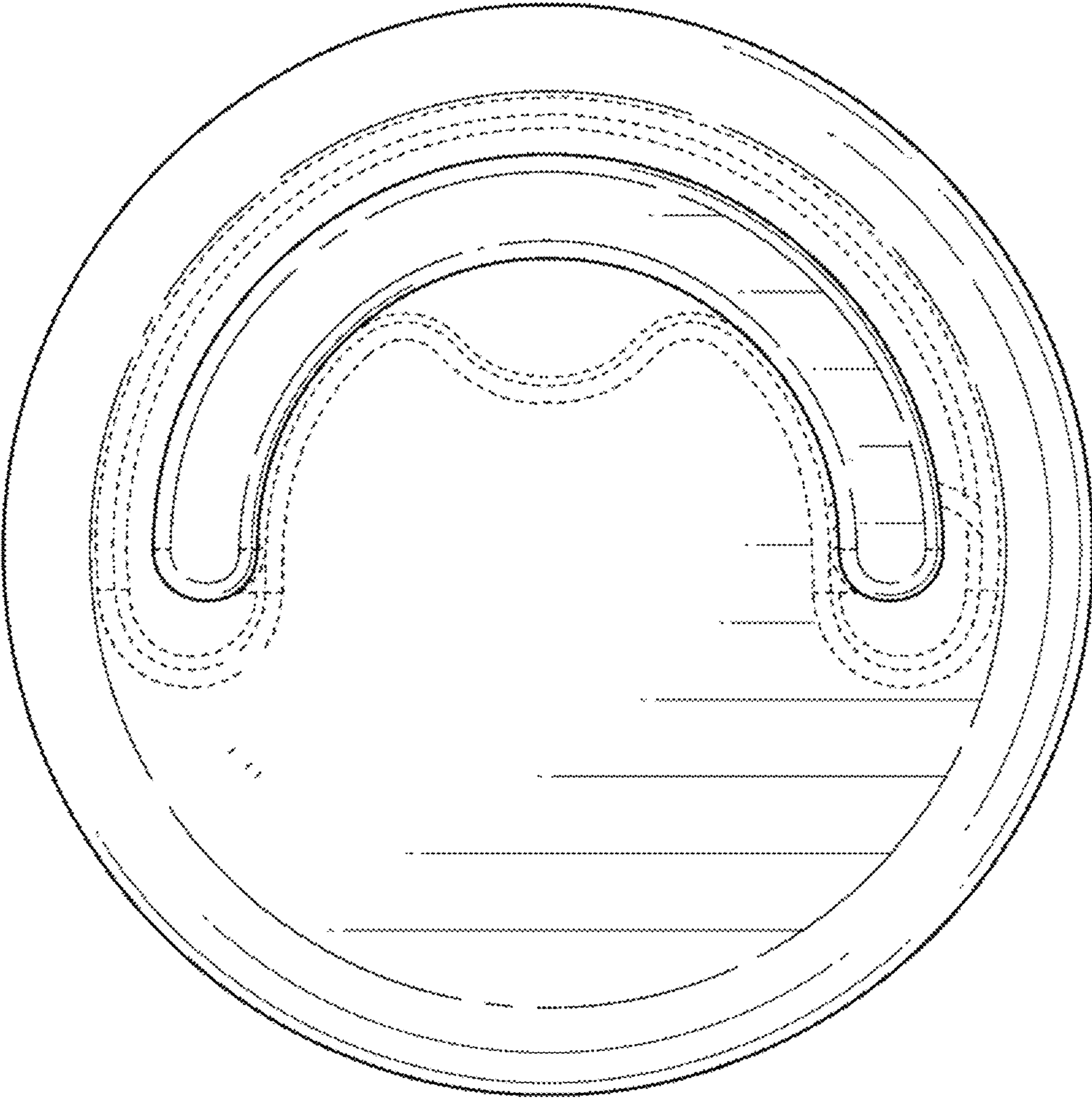


FIG. 6

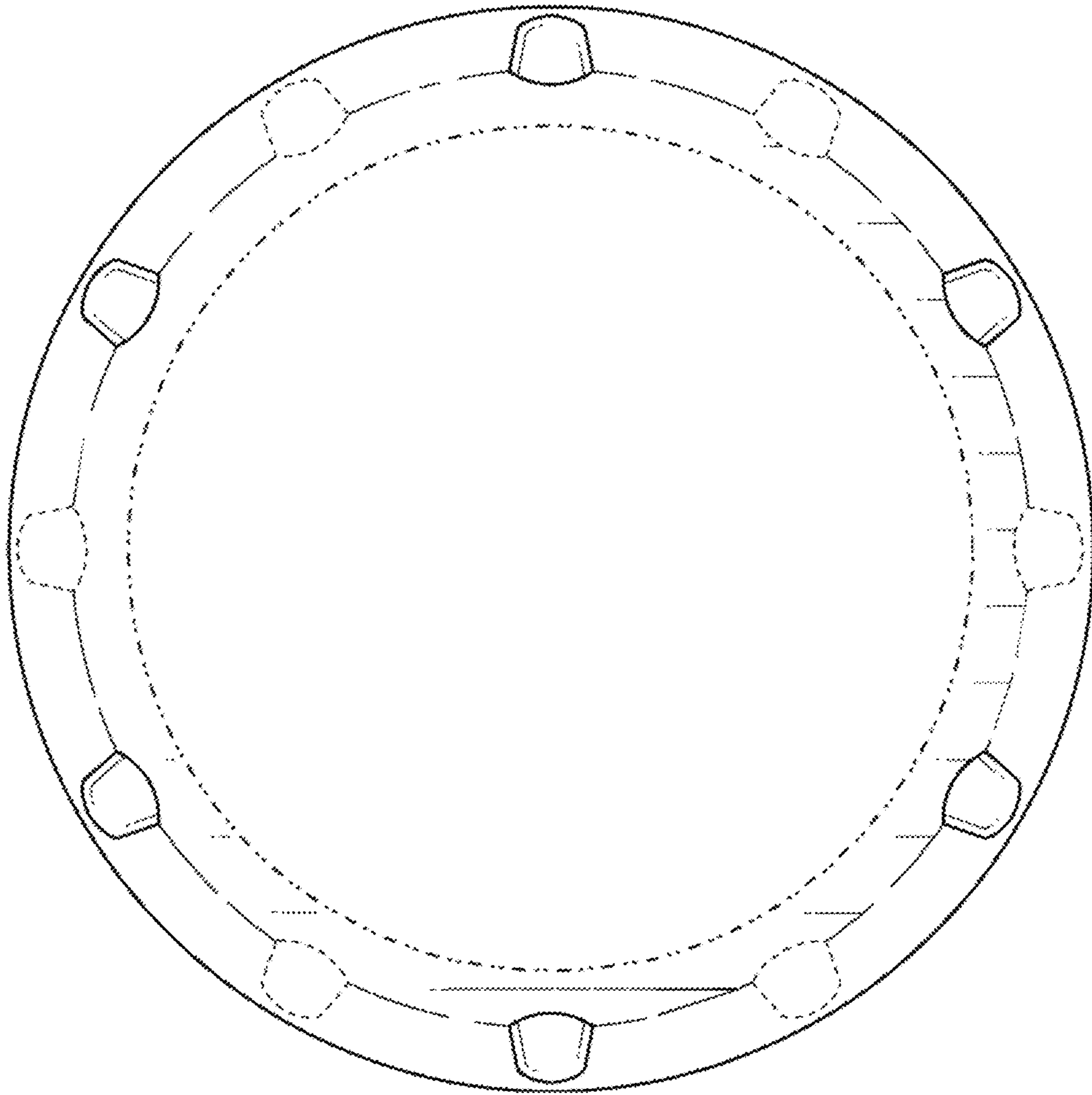


FIG. 7

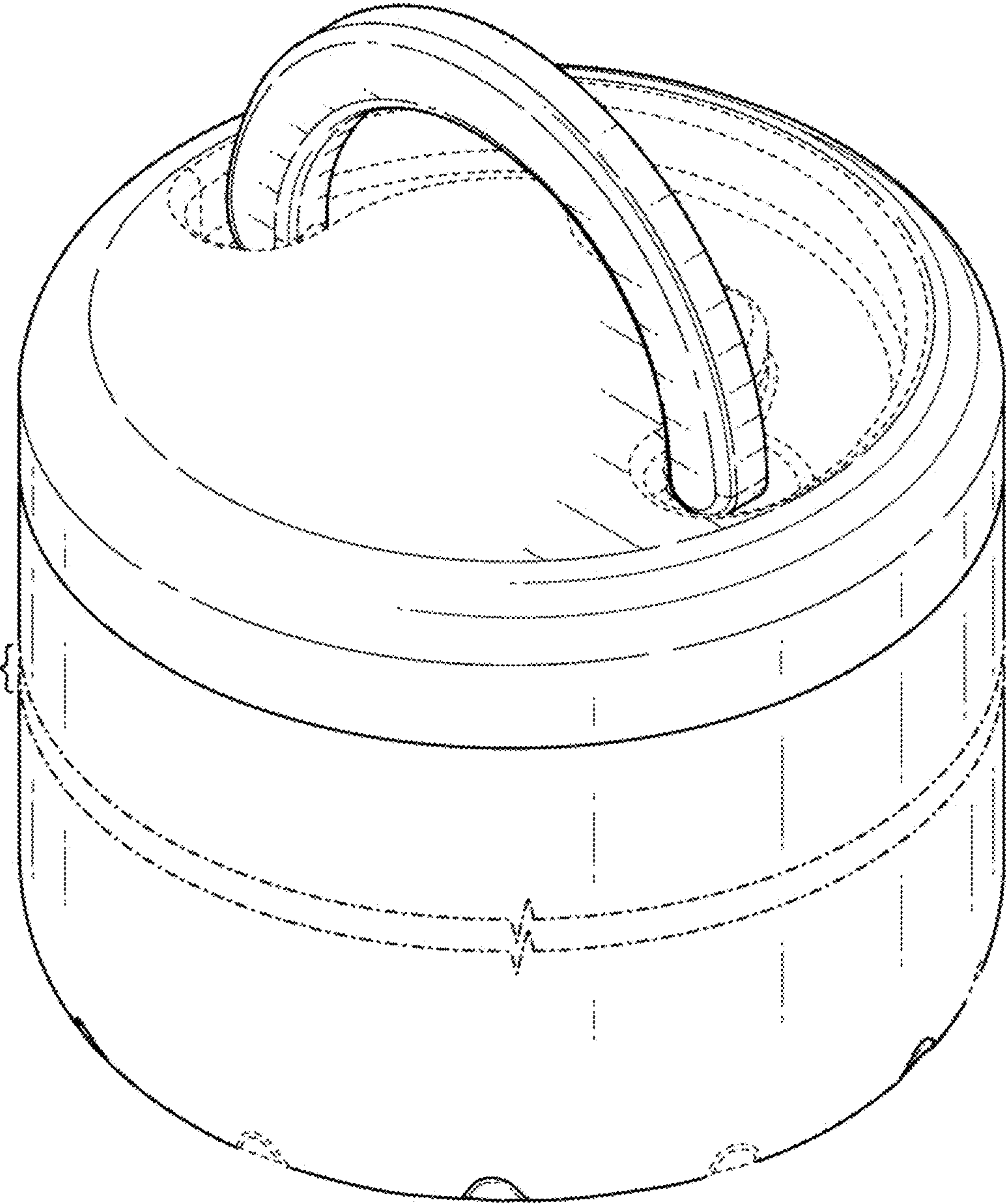


FIG. 8