

US00D932255S

(12) **United States Design Patent** (10) **Patent No.:** **US D932,255 S**
Dinkheller (45) **Date of Patent:** **** Oct. 5, 2021**

(54) **VACUUM LUNCH BOX**

1/34; B65D 1/42; B65D 43/0206; B65D 21/0219; B65D 21/0222

(71) Applicant: **Zwilling J.A. Henckels AG**, Solingen (DE)

See application file for complete search history.

(72) Inventor: **Simon Dinkheller**, Solingen (DE)

(56) **References Cited**

(73) Assignee: **Zwilling J.A. Henckels AG**, Solingen (DE)

U.S. PATENT DOCUMENTS

(**) Term: **15 Years**

6,557,462 B1 *	5/2003	Wang	A47J 47/10 219/732
D479,954 S *	9/2003	Kim	D7/629
D557,993 S *	12/2007	Stamper	D7/629
D610,878 S *	3/2010	Kim	D7/629
D642,861 S *	8/2011	Samartgis	D7/392.1

(21) Appl. No.: **29/699,431**

(Continued)

(22) Filed: **Jul. 25, 2019**

Primary Examiner — Susan E Krakower

(30) **Foreign Application Priority Data**

Assistant Examiner — Andrew Kerr

Jan. 25, 2019 (EM) 006084182-0001

(74) *Attorney, Agent, or Firm* — Gregory L. Mayback;
Dickinson Wright PLLC

(51) **LOC (13) Cl.** **09-07**

(52) **U.S. Cl.**
USPC **D7/629**

(57) **CLAIM**

The ornamental design for a vacuum lunch box, as shown and described.

(58) **Field of Classification Search**

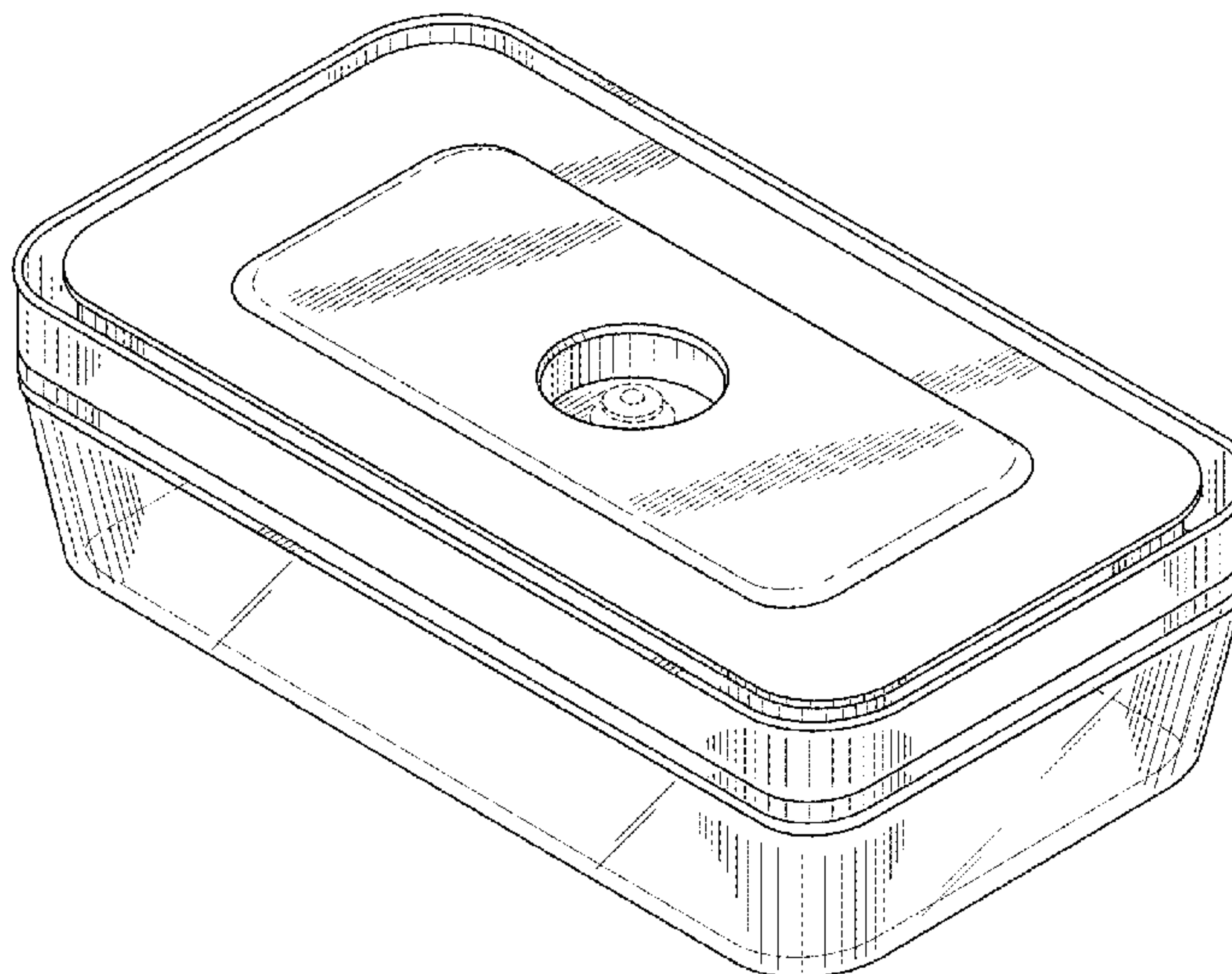
DESCRIPTION

USPC D7/672, 601, 550.1, 551.1, 551.2, 551.3, D7/552.1, 553.1, 553.2, 553.3, 553.4, D7/553.5, 553.7, 553.8, 554.1, 554.3, D7/554.4, 555, 557, 602, 629, 630, D7/538-542, 612-615, 584, 586, 587, D7/392.1, 709, 502, 608, 662; D9/414-423, 424-432; D3/273, 302

CPC B65D 81/18; B65D 81/00; B65D 81/22; B65D 81/24; B65D 81/34; B65D 81/3446; B65D 77/0433; B65D 2543/00203; B65D 2543/00509; B65D 2543/00555; B65D 2543/00694; B65D 2543/00805; B65D 2543/00972; B65D 2543/00268; B65D 2543/00277; B65D 2543/00314; B65D 2543/00305; B65D 2543/00425; B65D 2543/00435; B65D 2543/00592; B65D 2543/00602; B65D 2543/007; B65D 2543/00101; B65D 2543/00351; B65D 2543/0062; B65D 53/02; B65D 45/22; B65D 23/00; B65D

FIG. 1 is a top perspective view of a vacuum lunch box showing our new design;
 FIG. 2 is a top plan view thereof;
 FIG. 3 is a bottom plan view thereof;
 FIG. 4 is a right side elevation view thereof;
 FIG. 5 is a left side elevation view thereof;
 FIG. 6 is a front elevation view thereof;
 FIG. 7 is a rear elevation view thereof;
 FIG. 8 is a bottom plan view of the lid portion, shown separately to show aspects of the design that are not visible when combined;
 FIG. 9 is an exploded top perspective view thereof; and,
 FIG. 10 is an exploded bottom perspective view thereof.
 The broken lines shown in the figures depict portions of the vacuum lunch box that form no part of the claimed design.

1 Claim, 5 Drawing Sheets



(56)

References Cited

U.S. PATENT DOCUMENTS

D700,482 S * 3/2014 Yessin D7/629
D708,896 S * 7/2014 Carlson D7/391
8,991,630 B2 * 3/2015 Wang B65D 43/0208
220/256.1
D760,035 S * 6/2016 Kim D7/629
9,686,826 B2 * 6/2017 Tai F24C 7/02
D825,285 S * 8/2018 Bergne D7/629
D864,651 S * 10/2019 Lindsay D7/359
10,464,721 B2 * 11/2019 Kim B65D 43/0208
D870,507 S * 12/2019 Whaley D7/391
2008/0105674 A1 * 5/2008 Hsu A47J 36/027
219/735
2016/0045054 A1 * 2/2016 Su A47J 47/14
99/403

* cited by examiner

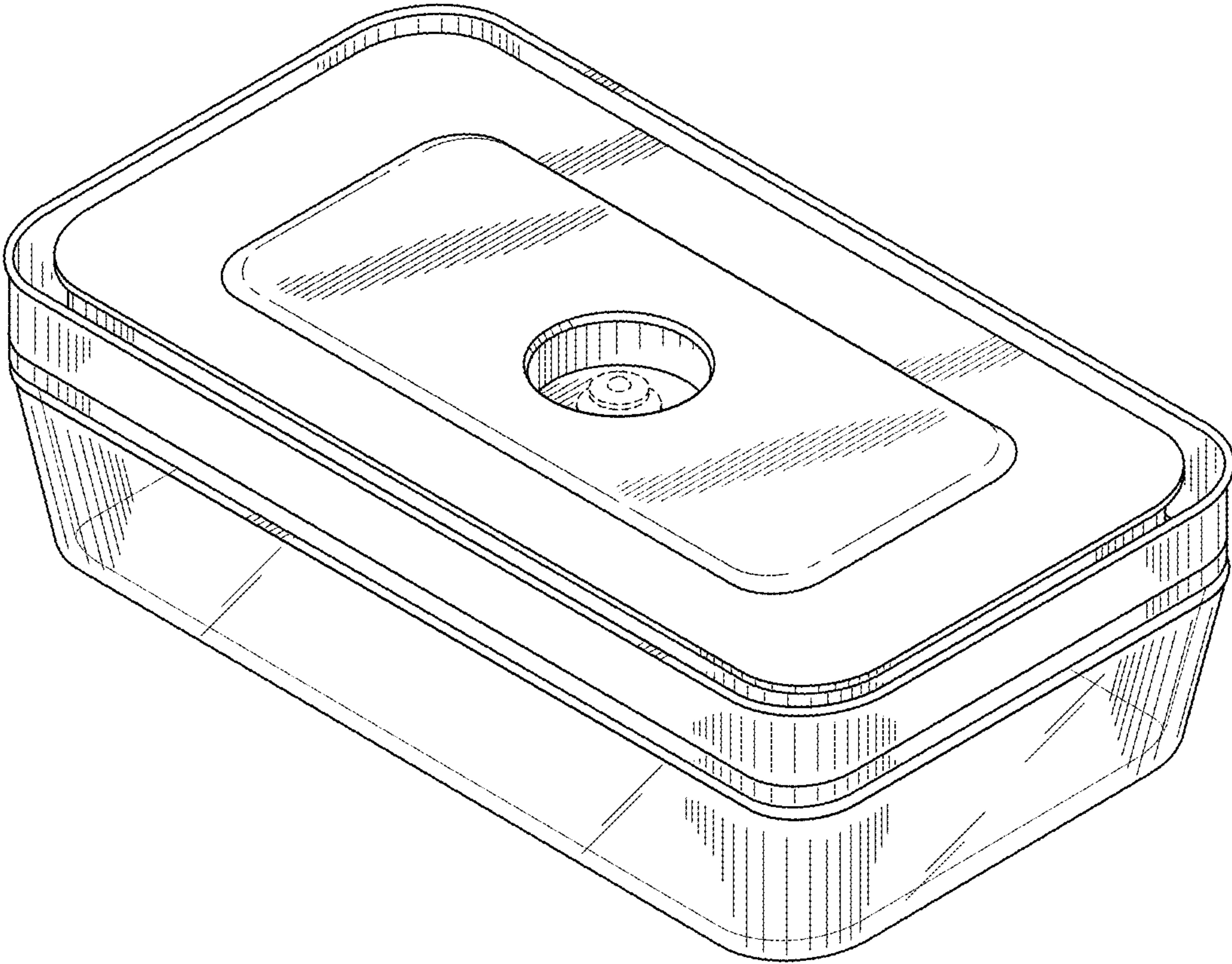


FIG. 1

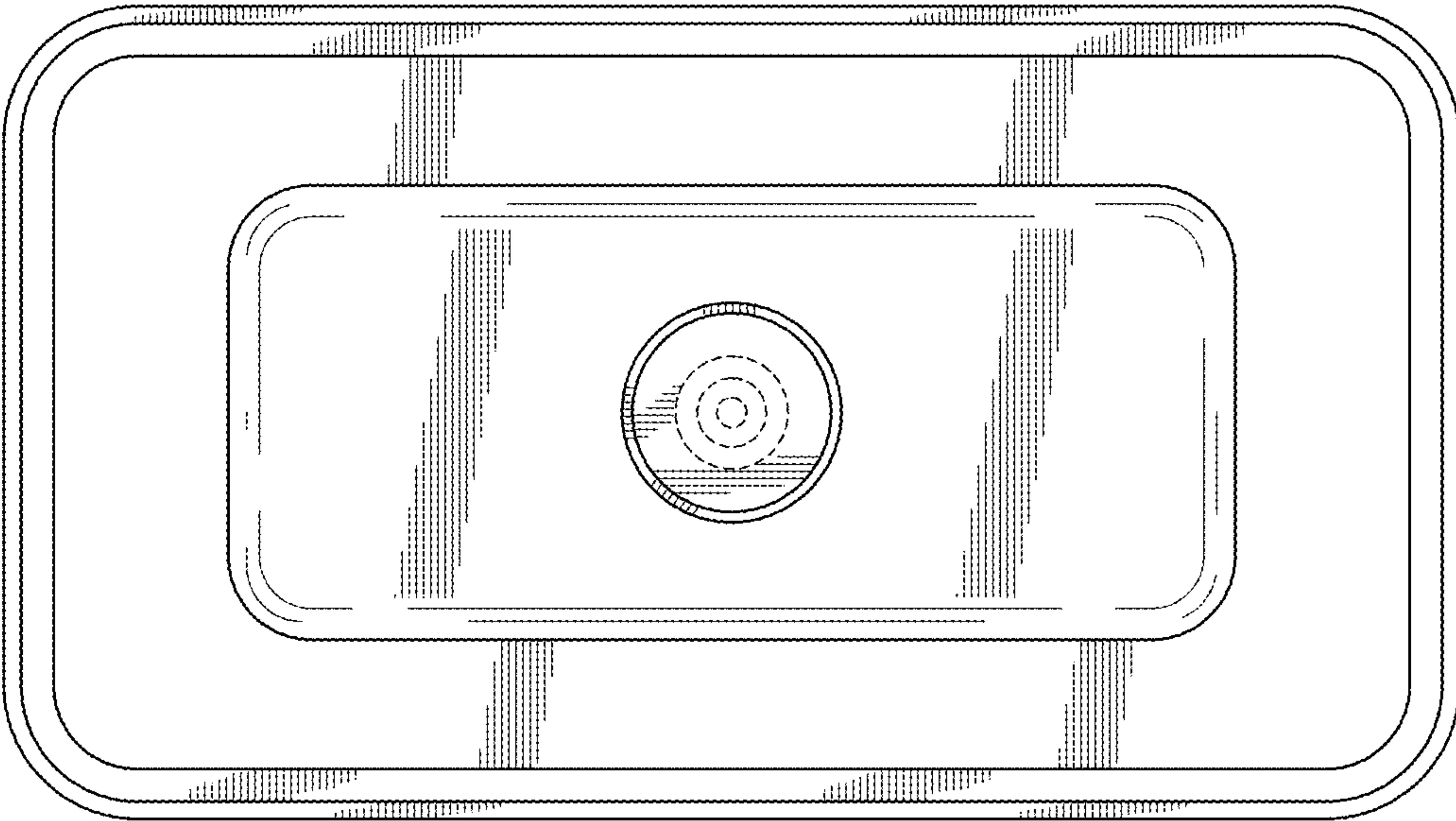


FIG. 2

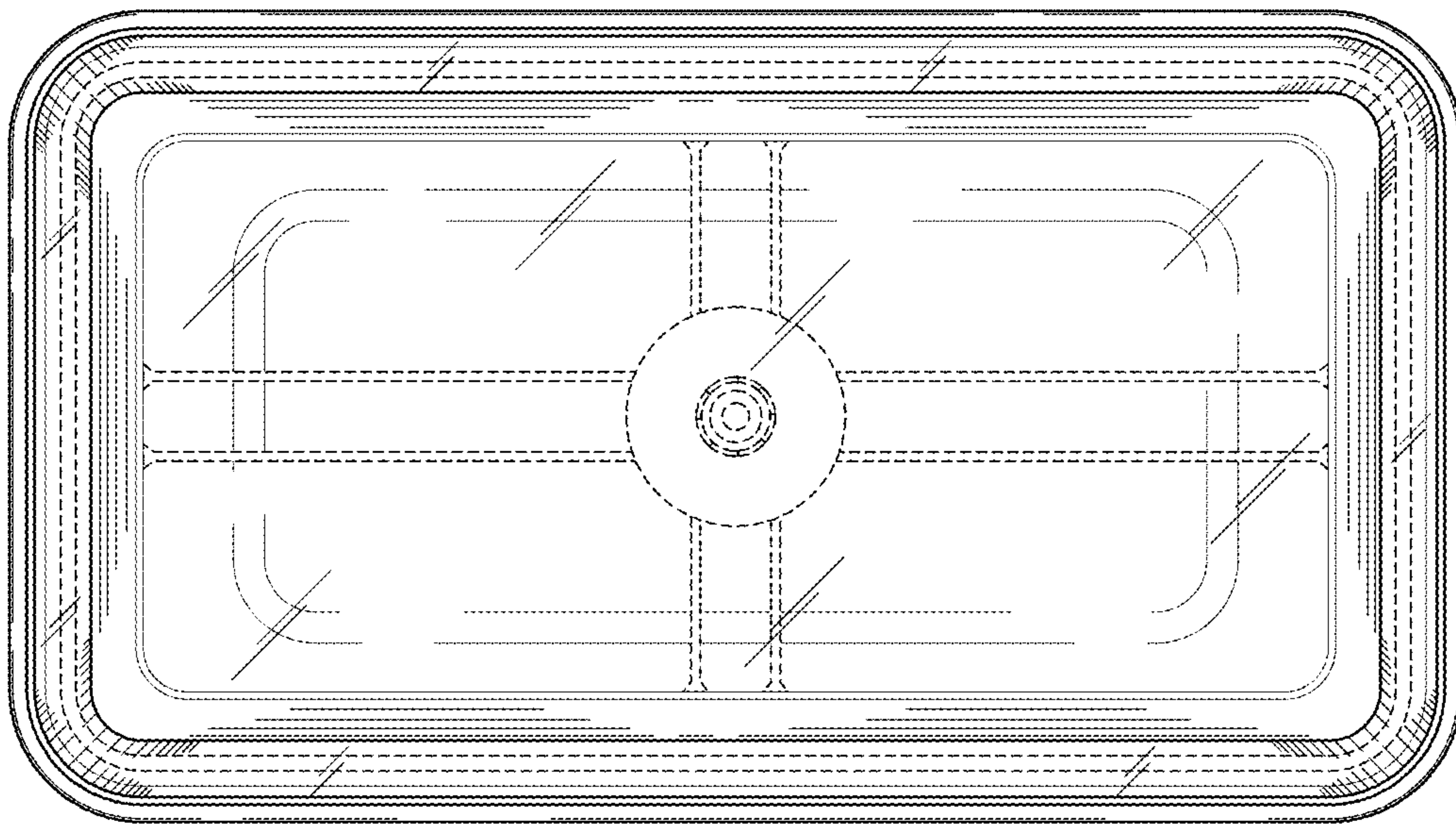


FIG. 3

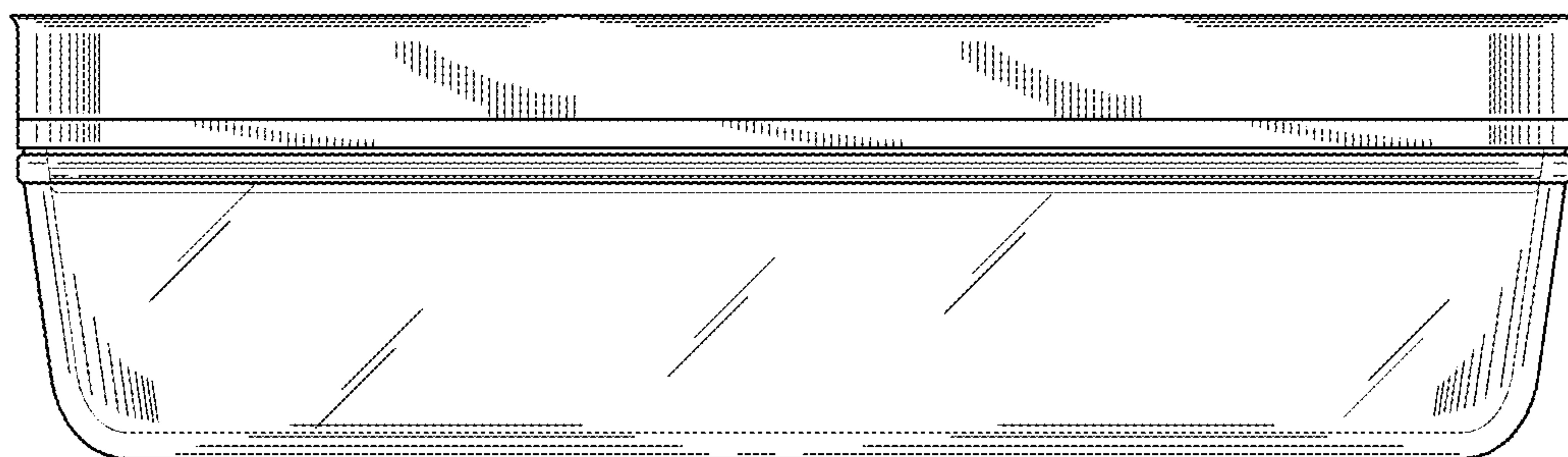


FIG. 4

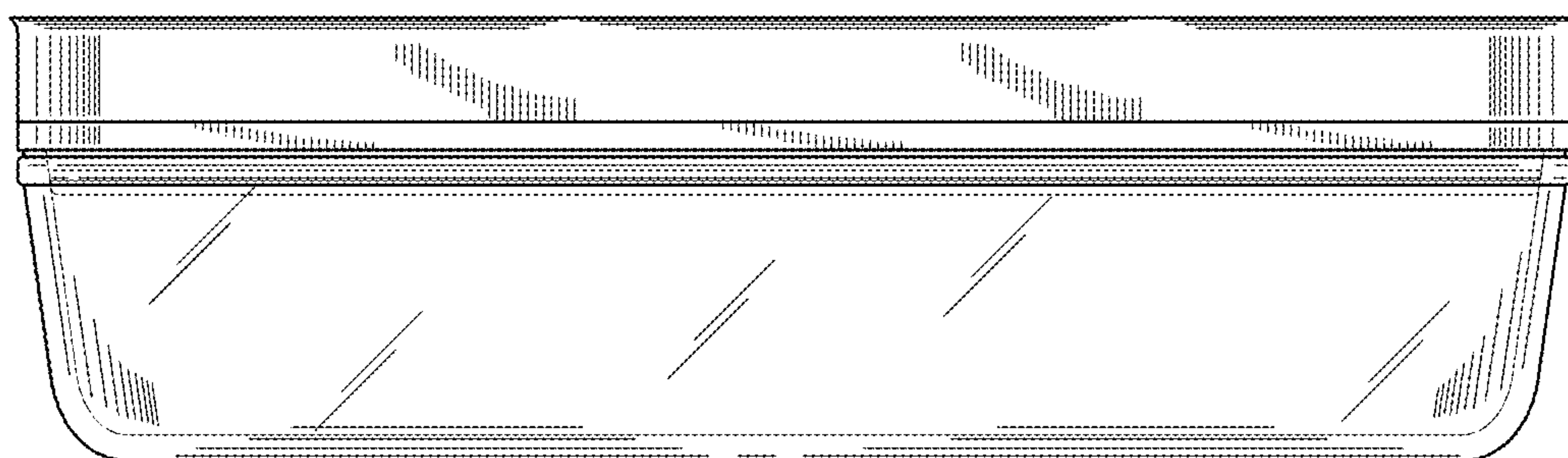


FIG. 5

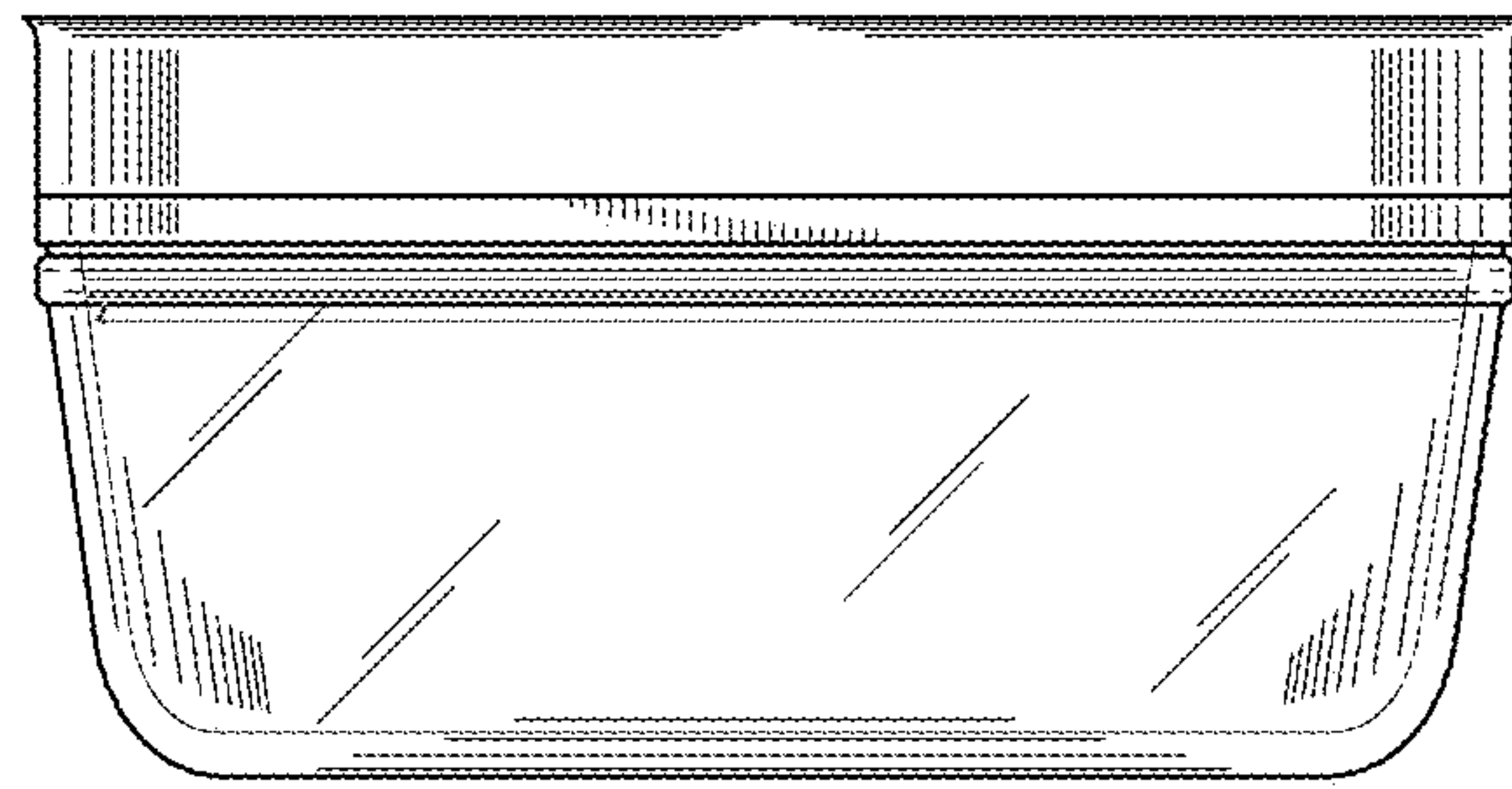


FIG. 6

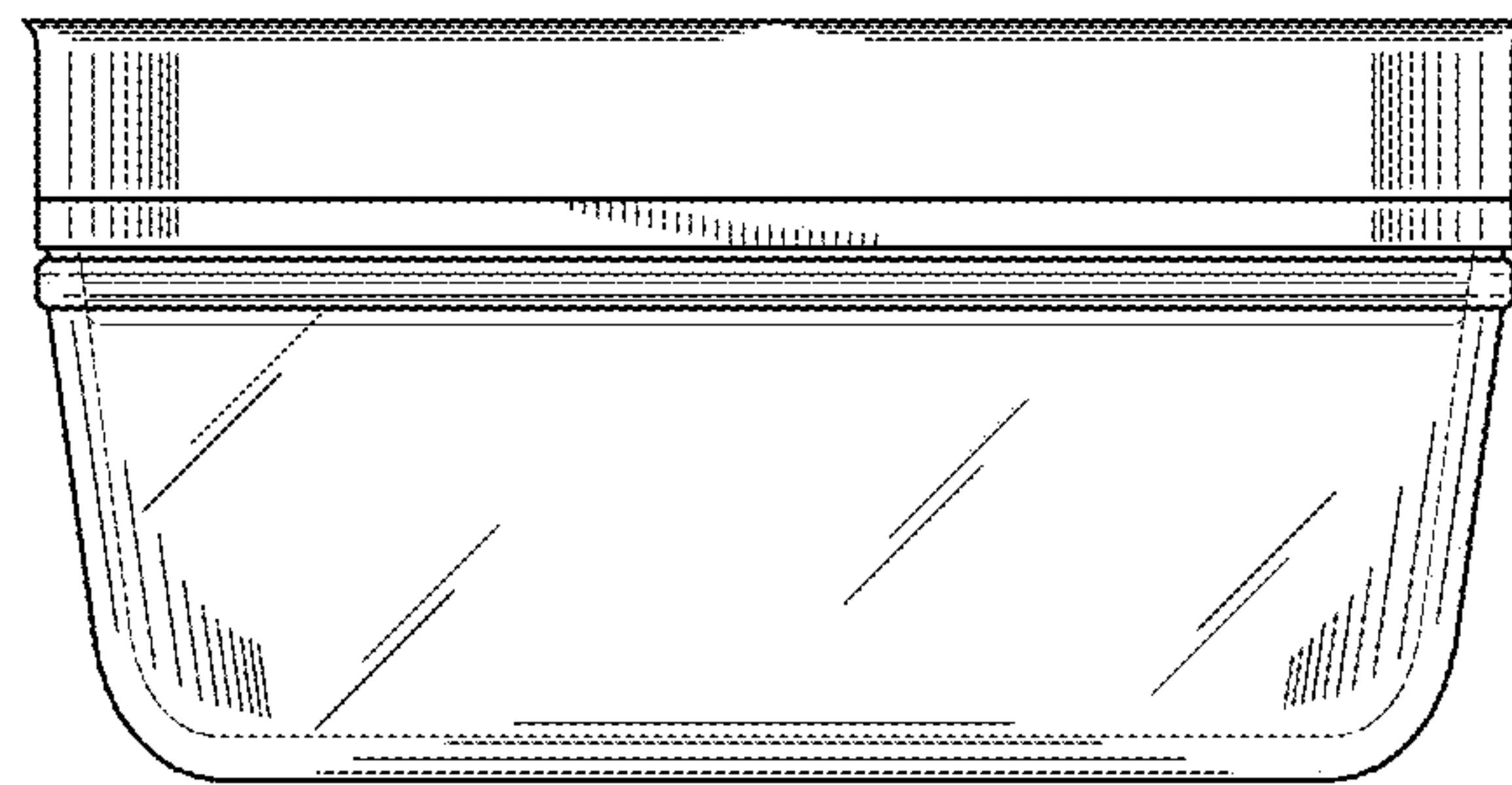


FIG. 7

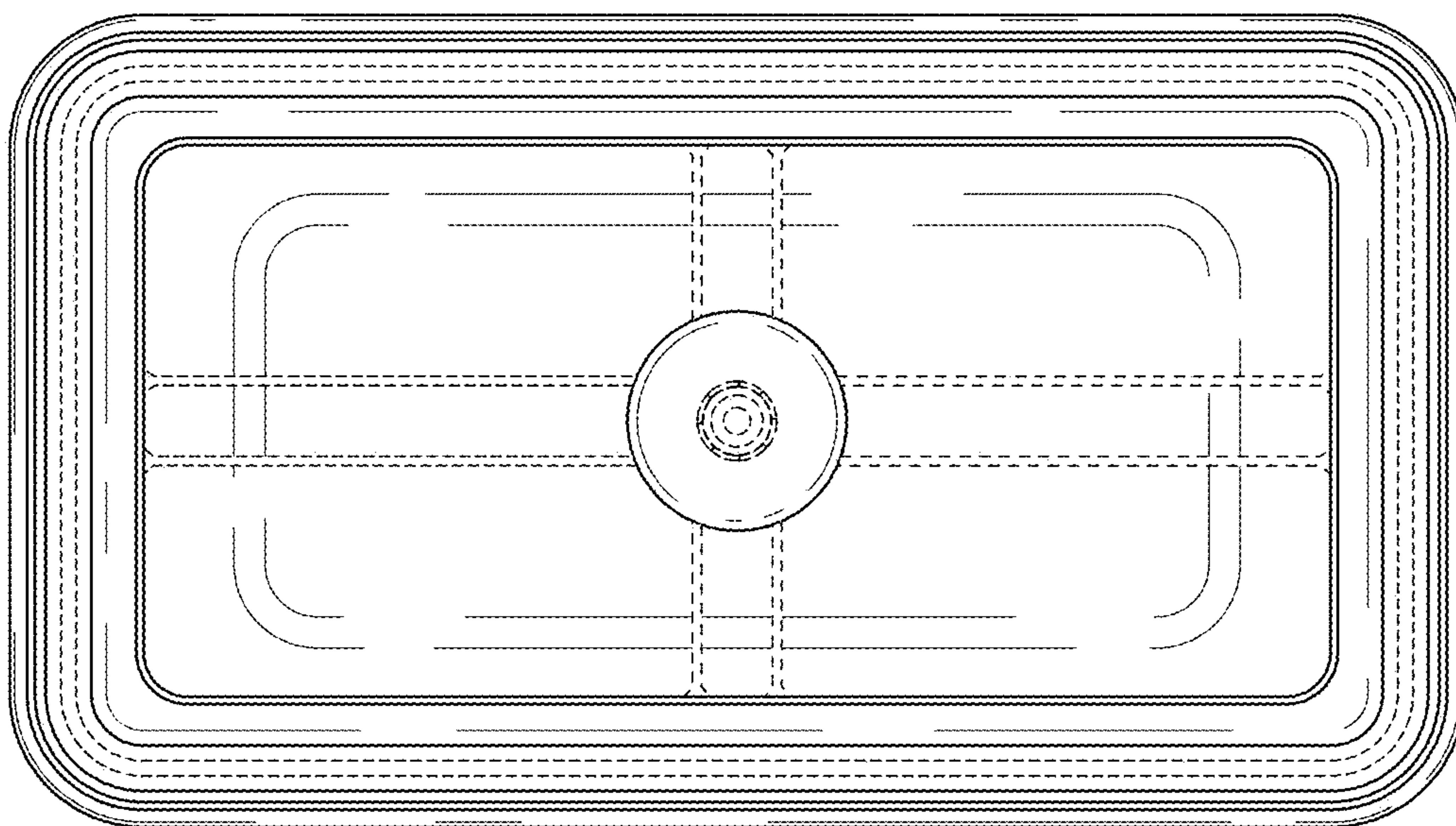


FIG. 8

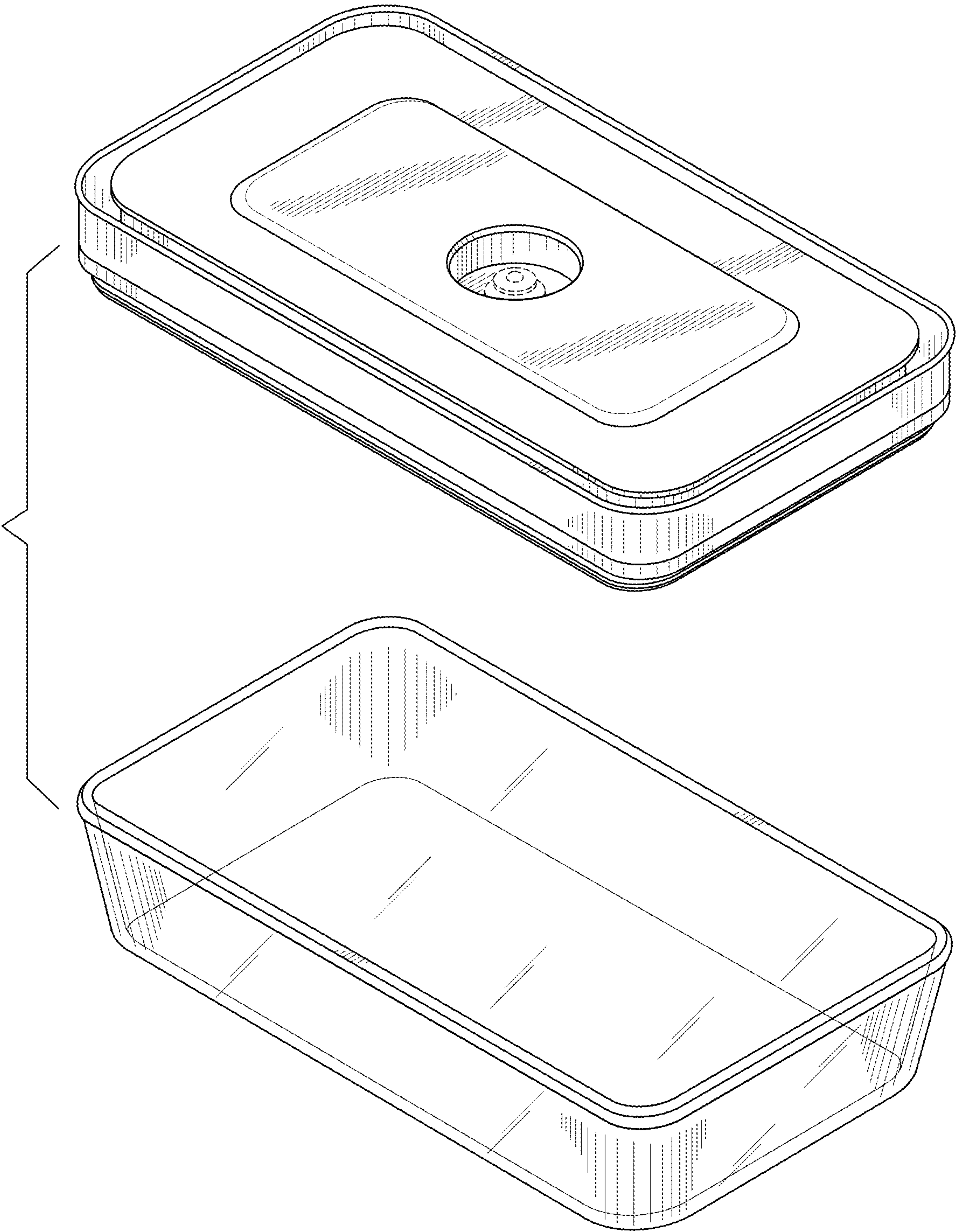


FIG. 9

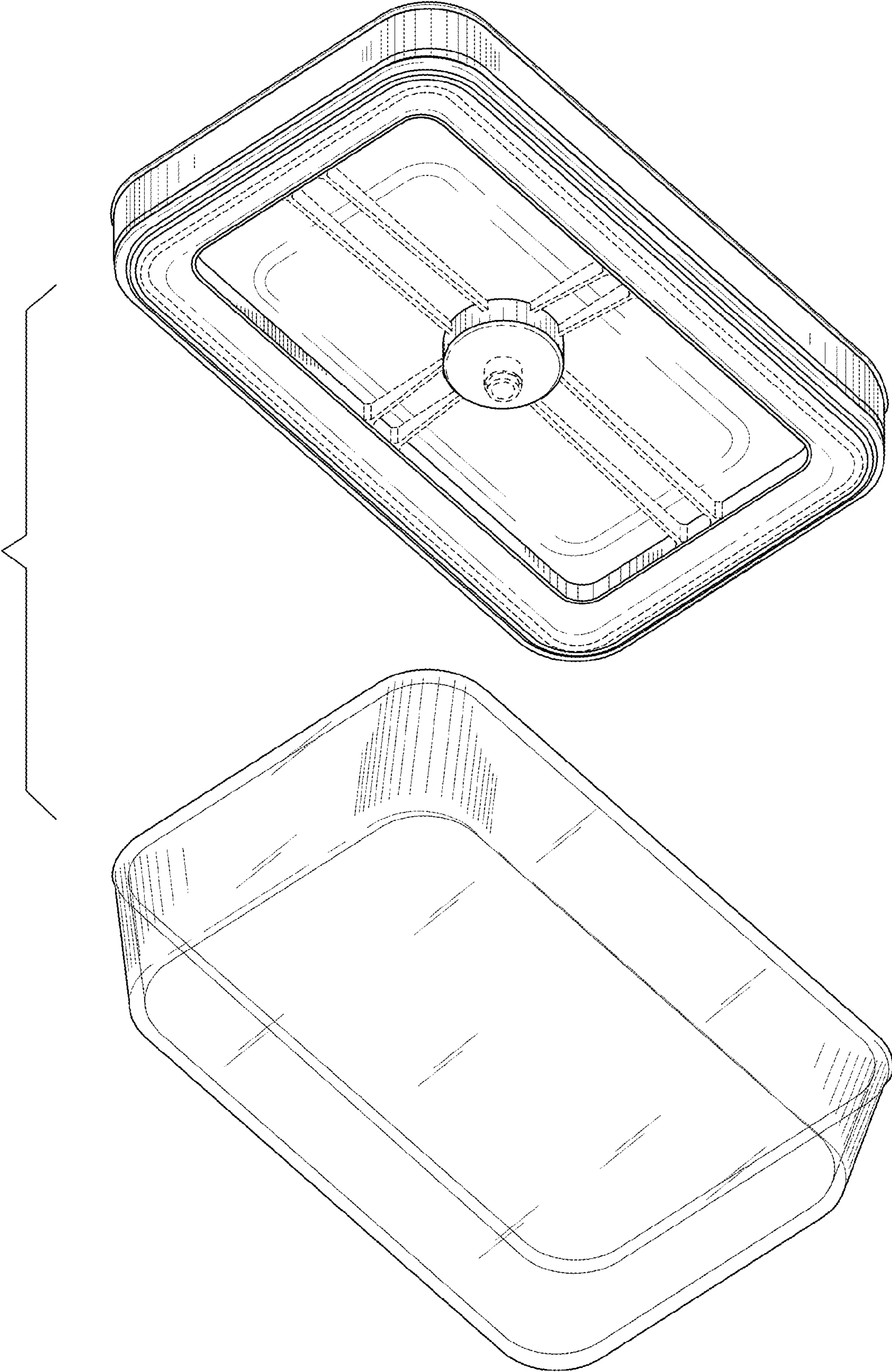


FIG. 10