



US00D932253S

(12) **United States Design Patent**
Ludolph

(10) **Patent No.:** **US D932,253 S**

(45) **Date of Patent:** **** Oct. 5, 2021**

(54) **BOTTLE**

(71) Applicant: **Jordane Enterprises, LLC**, San Diego, CA (US)

(72) Inventor: **Dane Ludolph**, San Diego, CA (US)

(73) Assignee: **Jordane Enterprises, LLC**, Poway, CA (US)

(**) Term: **15 Years**

(21) Appl. No.: **29/691,106**

(22) Filed: **May 14, 2019**

(51) **LOC (13) Cl.** **09-01**

(52) **U.S. Cl.**

USPC **D7/608; D9/500**

(58) **Field of Classification Search**

USPC D9/434, 500, 503-505, 516, 545, 549, D9/558, 715, 719; D7/509-511, 523, 608

CPC B65D 1/00; B65D 1/02; B65D 1/0215; B65D 1/0223; B65D 2501/00; B65D 2501/0009

See application file for complete search history.

(56) **References Cited**

U.S. PATENT DOCUMENTS

D204,326 S	4/1966	Wilson et al.
D221,886 S	9/1971	Gruett
D224,646 S	8/1972	Vollquartz
D321,628 S	11/1991	Kobayashi et al.
D354,915 S	1/1995	Schneider et al.
D396,190 S	7/1998	Haley
D458,133 S	6/2002	Berish et al.
D467,804 S	12/2002	Restrepo
D496,559 S	9/2004	Bodum
D508,185 S	8/2005	Gauss et al.
D539,608 S	4/2007	Lapsker
D547,607 S	7/2007	Forsman
D548,082 S	8/2007	Kingsley

D576,495 S	9/2008	Slubski
D586,184 S	2/2009	Miller et al.
D592,913 S	5/2009	Pinelli et al.
7,533,783 B2	5/2009	Choi et al.

(Continued)

FOREIGN PATENT DOCUMENTS

CA	168566	5/2018
CA	179745	2/2019

(Continued)

Primary Examiner — Dana Meyrow

(74) *Attorney, Agent, or Firm* — Wagenknecht IP Law Group, PC

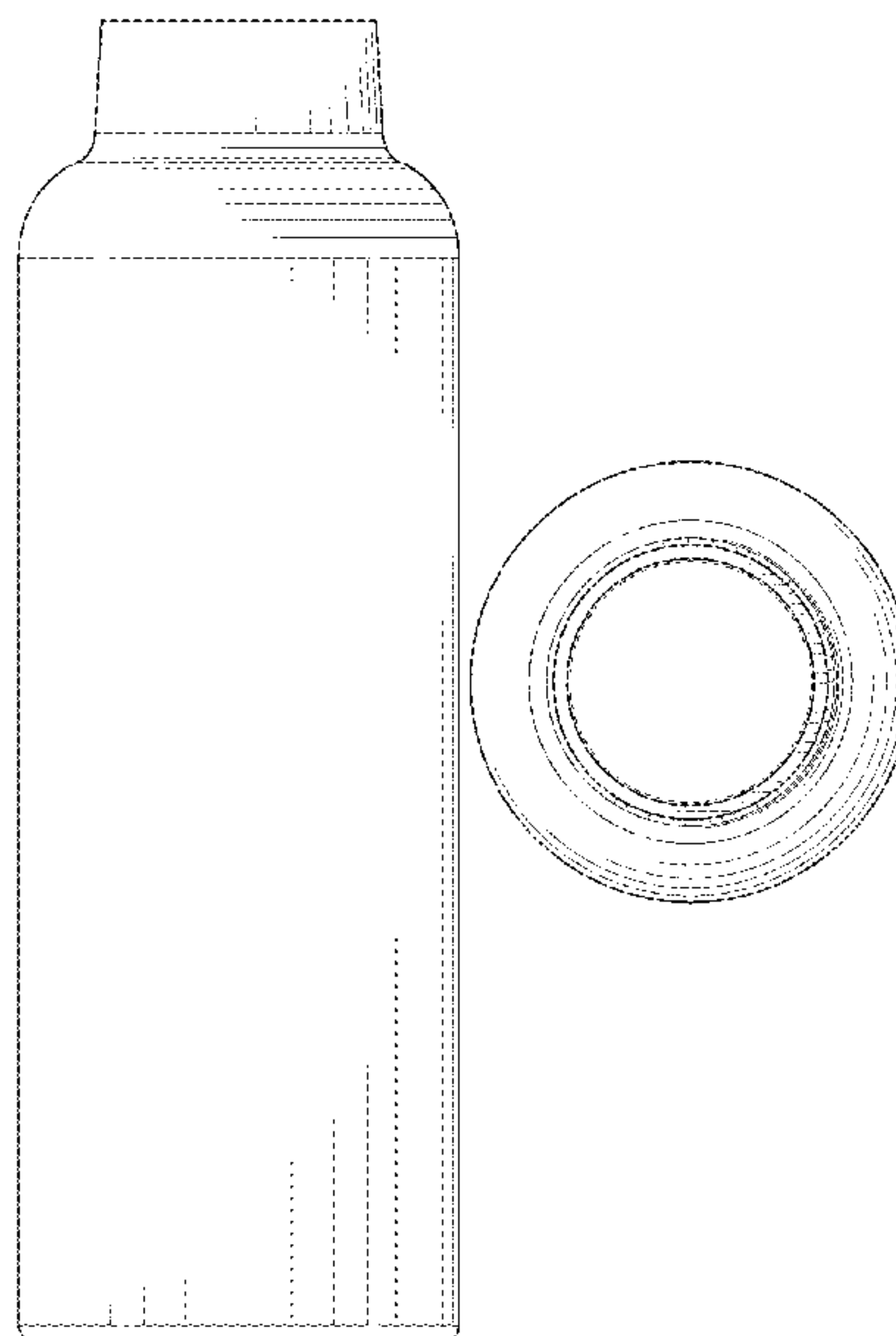
(57) **CLAIM**

The ornamental design for a bottle, as shown and described.

DESCRIPTION

FIG. 1 is a side, top perspective view of a first embodiment of a bottle showing my new design;
 FIG. 2 is a side elevational view thereof, all remaining sides being mirror images thereof;
 FIG. 3 is a top plan view thereof;
 FIG. 4 is a bottom plan view thereof;
 FIG. 5 is a side, top perspective view of a second embodiment of a bottle showing my new design;
 FIG. 6 is a side elevational view thereof, all remaining sides being mirror images thereof;
 FIG. 7 is a top plan view thereof;
 FIG. 8 is a bottom plan view thereof;
 FIG. 9 is a side, top perspective view of a third embodiment of a bottle showing my new design;
 FIG. 10 is a side elevational view thereof, all remaining sides being mirror images thereof;
 FIG. 11 is a top plan view thereof; and,
 FIG. 12 is a bottom plan view thereof.
 The broken lines in the figures represent portions of the article which form no part of the claimed design.

1 Claim, 9 Drawing Sheets



(56)

References Cited

U.S. PATENT DOCUMENTS

D604,561 S	11/2009	Chisholm	D763,688 S	8/2016	Breit et al.
D616,744 S	6/2010	Cresswell et al.	D767,328 S	9/2016	Boroski et al.
D620,747 S	8/2010	Taketani et al.	D767,336 S	9/2016	Waggoner et al.
D620,756 S	8/2010	Lown et al.	D767,337 S	9/2016	Boroski et al.
D620,798 S	8/2010	Cresswell et al.	D772,652 S	11/2016	Yao
D621,220 S	8/2010	Lown et al.	D777,508 S	1/2017	Goodwin et al.
D621,258 S	8/2010	Gullickson et al.	D780,577 S	3/2017	Seiders et al.
D626,414 S	11/2010	Cresswell et al.	D781,104 S	3/2017	Cerasani
D626,416 S	11/2010	Cresswell et al.	D781,145 S	3/2017	Seiders et al.
D628,486 S	12/2010	Lane	D781,146 S	3/2017	Seiders et al.
D629,689 S	12/2010	Cresswell et al.	D781,640 S	3/2017	Roth et al.
D629,690 S	12/2010	Cresswell et al.	D781,654 S	3/2017	Marquard et al.
D629,691 S	12/2010	Cresswell et al.	D783,367 S	4/2017	Seiders et al.
D632,524 S *	2/2011	Rosbach D7/511	D784,775 S	4/2017	Seiders et al.
D633,338 S *	3/2011	Rosbach D7/511	D786,671 S	5/2017	Khetarpaul et al.
D633,794 S	3/2011	Cresswell et al.	D787,332 S *	5/2017	Peneda D9/500
D633,795 S	3/2011	Cresswell et al.	D787,886 S	5/2017	Cerasani
D633,796 S	3/2011	Cresswell et al.	D788,529 S	6/2017	Chitayat et al.
D633,797 S	3/2011	Cresswell et al.	D790,285 S	6/2017	Seiders et al.
D633,798 S	3/2011	Cresswell et al.	D790,920 S *	7/2017	Goodwin D7/510
D635,457 S	4/2011	Lane	D791,532 S	7/2017	Yao
D641,591 S	7/2011	Tsukida	D791,549 S	7/2017	Goodwin et al.
D649,879 S	12/2011	Gullickson et al.	D792,215 S	7/2017	Eyal
D650,629 S	12/2011	Gilbert	D793,154 S	8/2017	Sorensen et al.
D651,044 S	12/2011	Gilbert	D795,008 S	8/2017	Eyal
D652,255 S	1/2012	Carland	D795,009 S	8/2017	Alprin et al.
D652,256 S	1/2012	Eyal	D795,013 S	8/2017	Shultz et al.
D657,196 S	4/2012	Beyers, III	D796,261 S	9/2017	Khalifa et al.
D658,446 S	5/2012	George	D797,555 S	9/2017	Carlson et al.
D658,450 S *	5/2012	Ying D7/608	D799,320 S	10/2017	Goodwin et al.
D662,360 S	6/2012	George	D799,898 S	10/2017	Yao
D663,209 S	7/2012	Maas et al.	D799,967 S	10/2017	Wade
D664,809 S	8/2012	Eyal	D801,173 S	10/2017	Lown et al.
D665,621 S	8/2012	Eyal	D801,174 S	10/2017	Lown et al.
D669,732 S	10/2012	Hopkins et al.	D802,366 S	11/2017	Cerasani
D675,100 S	1/2013	Herbst	D802,993 S	11/2017	Joseph et al.
D680,805 S	4/2013	Rosbach	D803,002 S *	11/2017	Gretz D7/536
D682,034 S	5/2013	El-Saden et al.	D804,304 S	12/2017	Pearson
D683,581 S	6/2013	Archer	D804,903 S	12/2017	Mason et al.
D687,923 S	8/2013	Jung et al.	D804,906 S *	12/2017	Diener D7/510
D688,912 S	9/2013	Rosbach	D805,852 S	12/2017	Seiders et al.
D693,170 S	11/2013	Rosbach	D806,468 S	1/2018	Goodwin et al.
D696,079 S	12/2013	Meyers et al.	D807,110 S	1/2018	Lown
D700,014 S	2/2014	Zeanah	D807,111 S	1/2018	Sorensen et al.
D704,986 S	5/2014	Manies	D808,213 S	1/2018	Lown et al.
D706,139 S *	6/2014	Sovine D9/680	D808,711 S	1/2018	Joseph et al.
D707,124 S	6/2014	Blain et al.	D808,713 S	1/2018	Rane et al.
D708,954 S	7/2014	Bames et al.	D809,344 S	2/2018	Guthrie
RE45,055 E	8/2014	Roth et al.	D809,868 S	2/2018	Eyal
D712,254 S	9/2014	Geis et al.	D810,500 S	2/2018	Maple
D712,255 S	9/2014	Geis et al.	D810,502 S	2/2018	Joseph et al.
D714,142 S	9/2014	Hojo	D811,162 S	2/2018	Rane et al.
D719,780 S	12/2014	Sullivan	D811,810 S	3/2018	Joseph et al.
D721,276 S	1/2015	Herbst	D811,818 S *	3/2018	Wu D7/510
D721,912 S	2/2015	Boroski	D812,428 S *	3/2018	Wu D7/510
D723,333 S	3/2015	Lin	D812,970 S	3/2018	Rane et al.
D724,384 S	3/2015	Donovan et al.	D814,236 S	4/2018	Rolfson et al.
D729,569 S	5/2015	Herbst et al.	D814,852 S	4/2018	Melanson et al.
D732,892 S	6/2015	Keys et al.	D814,855 S	4/2018	Hammer
D734,151 S	7/2015	Herbst	D814,928 S	4/2018	Seiders et al.
D739,174 S	9/2015	Elsaden et al.	D816,493 S	5/2018	Seiders et al.
D739,732 S *	9/2015	Jones D9/500	D817,084 S	5/2018	Hammer
D742,174 S	11/2015	Roth et al.	D818,317 S	5/2018	Fu
D747,136 S	1/2016	Lane et al.	D818,774 S	5/2018	Stover
D748,943 S	2/2016	Miller et al.	D818,775 S	5/2018	Woodruff
D750,428 S	3/2016	Keys et al.	D819,396 S	6/2018	Seiders et al.
D755,562 S	5/2016	Lindsay	D819,403 S	6/2018	Li et al.
D756,702 S	5/2016	Joseph et al.	D820,637 S	6/2018	Davis
D758,859 S	6/2016	Sorensen et al.	D820,650 S	6/2018	Seiders et al.
D759,429 S *	6/2016	Rosbach A47G 19/2288 D7/397	D821,135 S	6/2018	Rane et al.
D759,902 S	6/2016	Kim	D823,068 S	7/2018	Seiders et al.
D760,586 S	7/2016	Seiders et al.	D823,069 S	7/2018	Seiders et al.
D762,418 S	8/2016	Sorensen et al.	D824,218 S	7/2018	Seiders et al.
D763,622 S	8/2016	Shirley et al.	D828,722 S	9/2018	Davis
			D828,723 S	9/2018	Gauss et al.
			D830,771 S	10/2018	Lin
			D830,772 S	10/2018	Rosette et al.
			D831,436 S	10/2018	Seiders et al.
			D833,230 S	11/2018	Libby et al.

(56)

References Cited

FOREIGN PATENT DOCUMENTS

U.S. PATENT DOCUMENTS					
			EM	002753418-0002	8/2015
			EM	003101898-0001	4/2016
D834,373	S	11/2018 Spivey et al.	EM	003101898-0004	4/2016
D835,938	S	12/2018 Zou et al.	EM	003150580-0001	5/2016
D836,982	S	1/2019 Diener et al.	EM	003150580-0002	5/2016
D838,141	S	1/2019 Bertsch	EM	003150580-0003	5/2016
D838,549	S	1/2019 Gu	EM	003150580-0004	5/2016
D839,050	S	1/2019 Sibbert	EM	003150580-0005	5/2016
D841,398	S	2/2019 Gauss et al.	EM	003150580-0006	5/2016
D842,027	S	3/2019 Boroski	EM	003150580-0007	5/2016
D844,385	S *	4/2019 Adams, Jr. D7/523	EM	003150580-0008	5/2016
D856,087	S *	8/2019 Adams, Jr. D7/523	EM	004500155-0003	11/2017
D866,261	S *	11/2019 Jacobsen D7/511	EM	005622032-0002	8/2018
D867,068	S *	11/2019 Jacobsen D7/511	EM	005653573-0001	9/2018
D867,820	S *	11/2019 Jacobsen D7/511	EM	006137576-0003	1/2019
D868,538	S *	12/2019 Jacobsen D7/511	EM	300976393.0000	10/2018
D877,571	S *	3/2020 Eyal D7/532	KR	D089254-004	8/2015
D893,952	S *	8/2020 Jenkins D7/510	WO		
2013/0032564	A1 *	2/2013 Rosbach B65D 81/3841 215/12.1			
2018/0037377	A1	2/2018 Sullivan et al.			

* cited by examiner

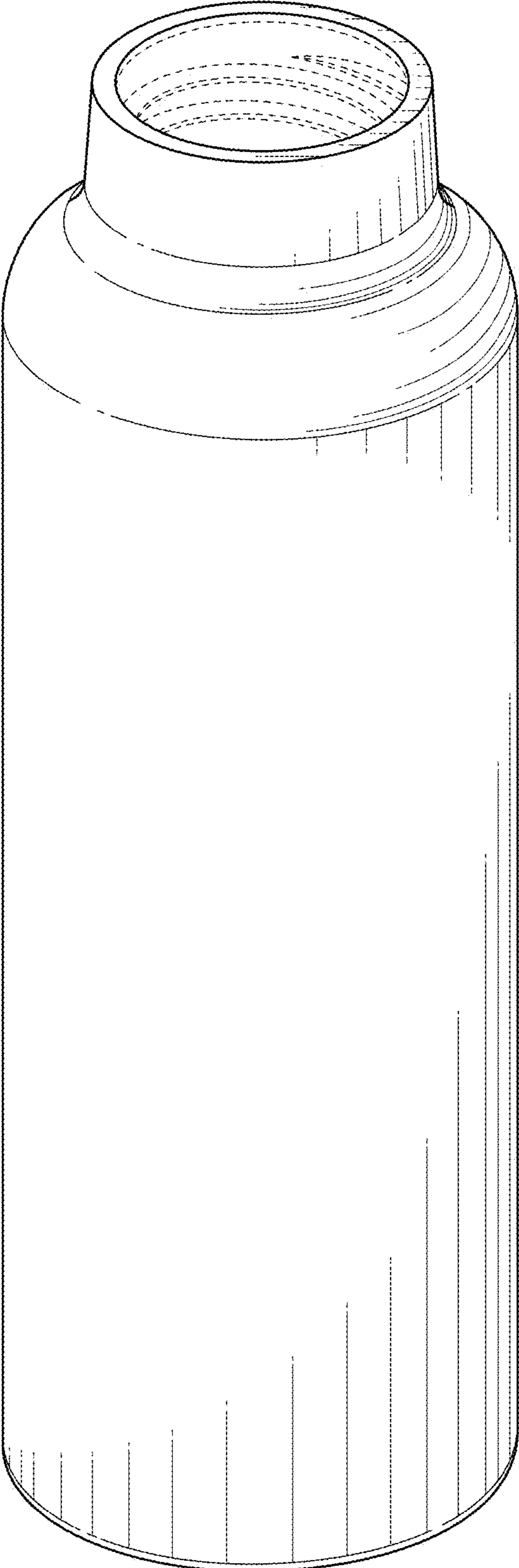


FIG. 1

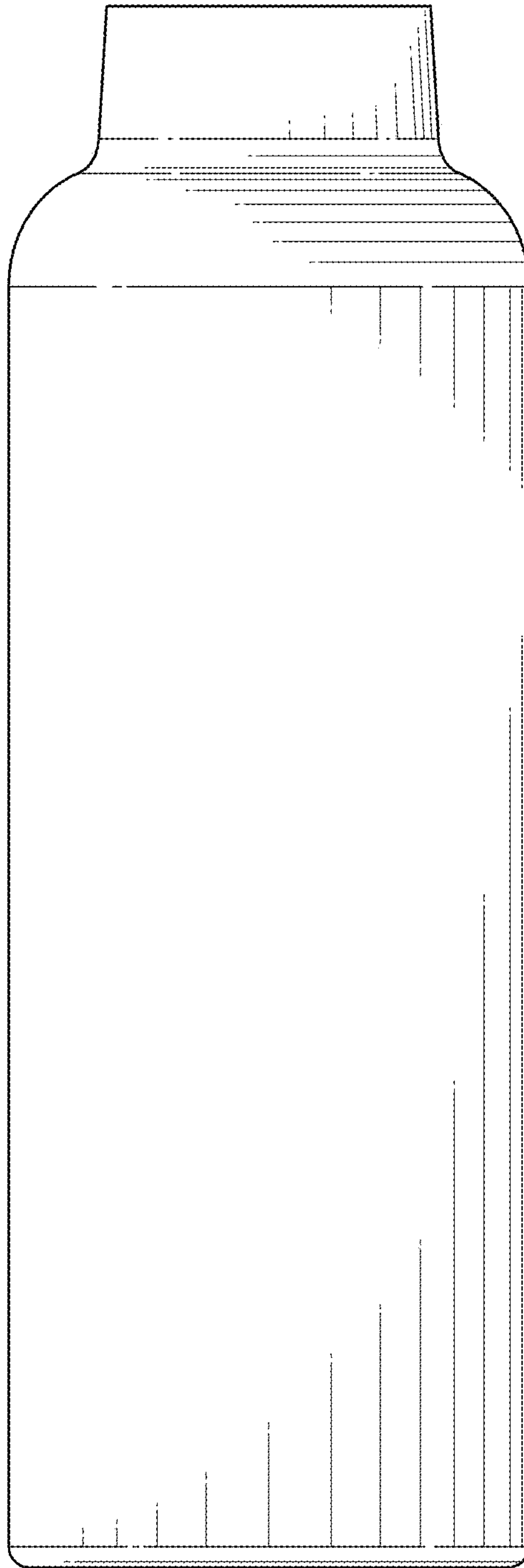


FIG. 2

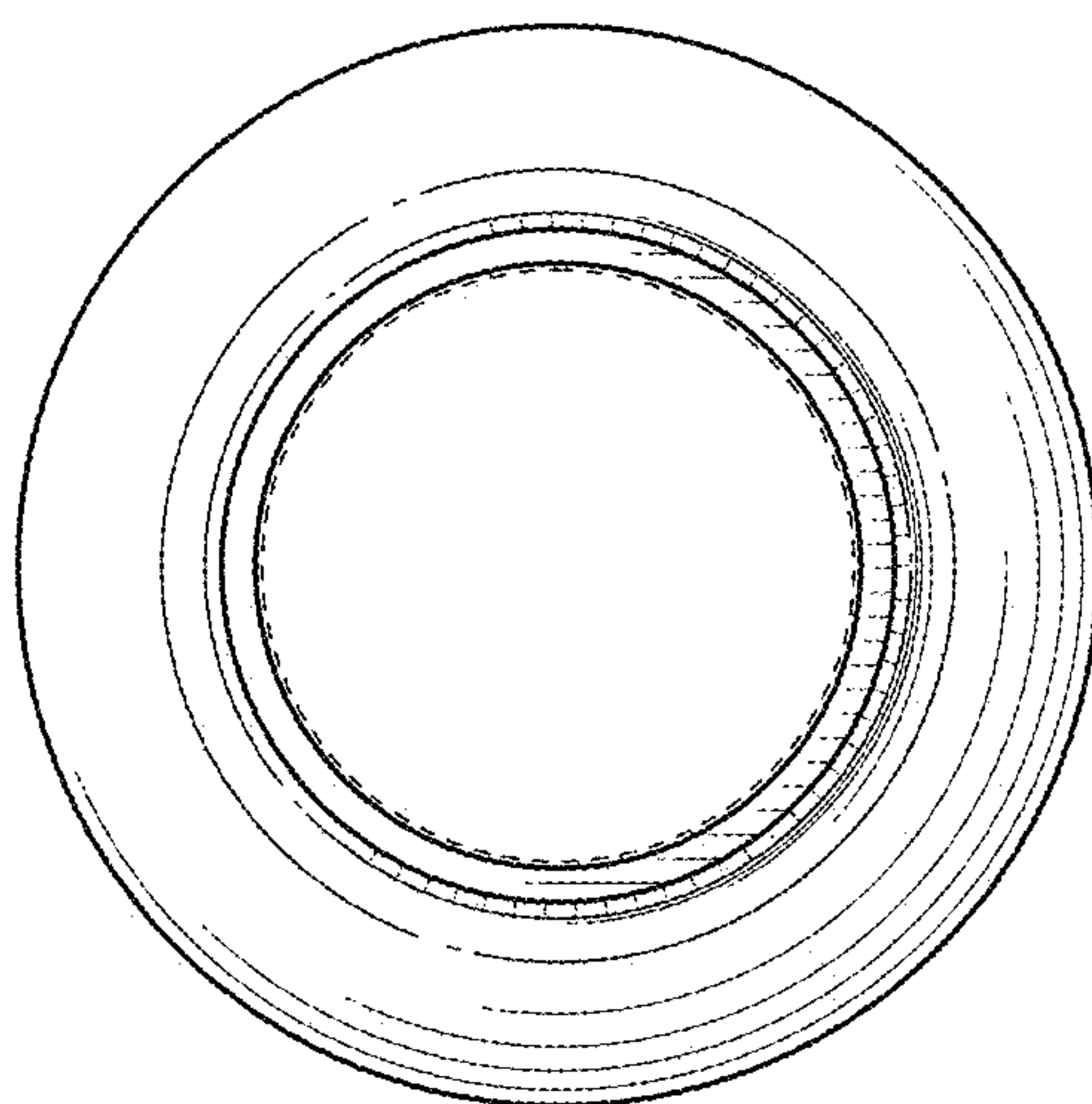


FIG. 3

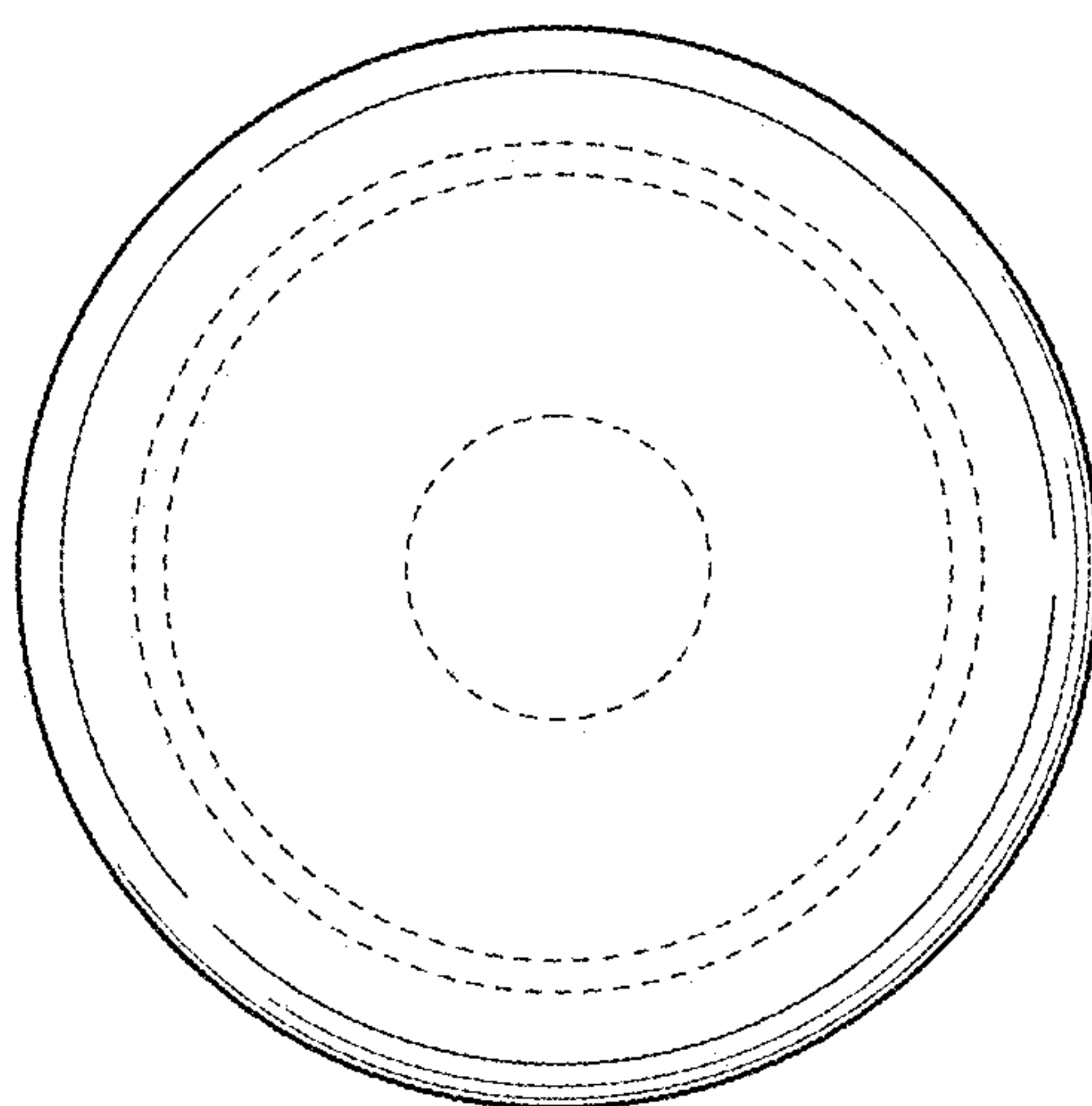


FIG. 4

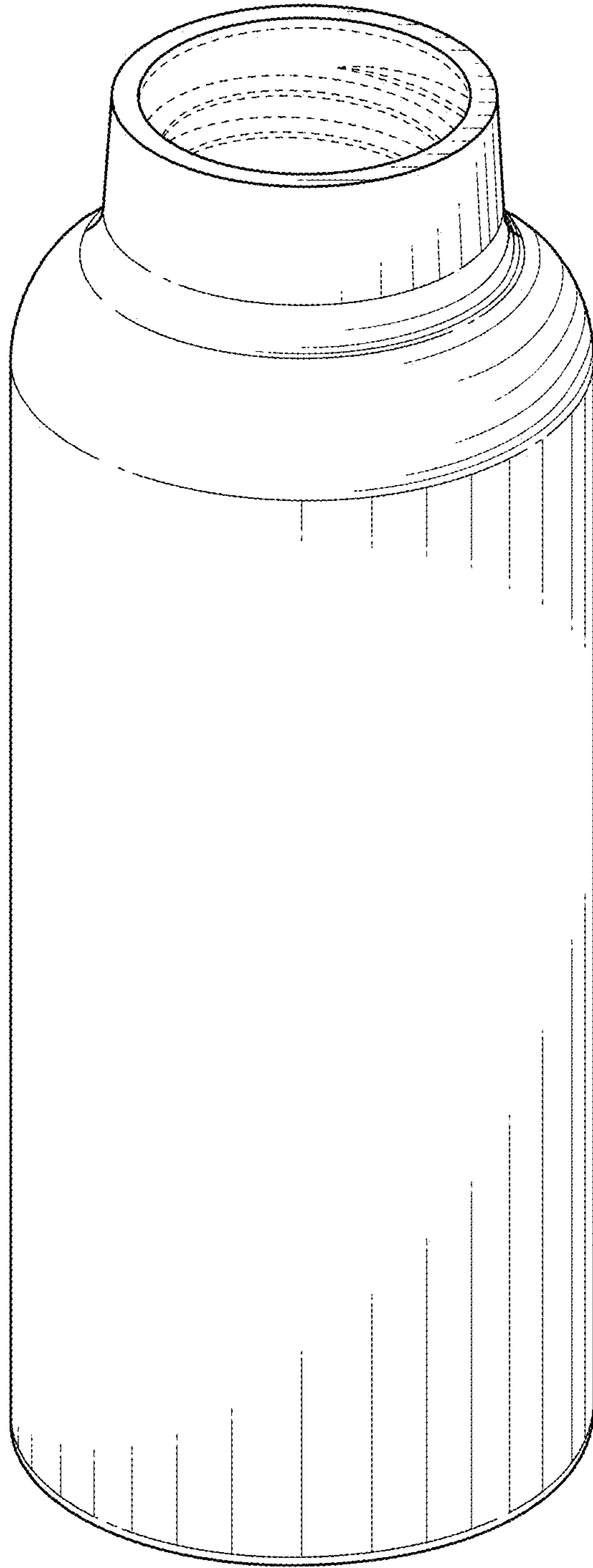


FIG. 5

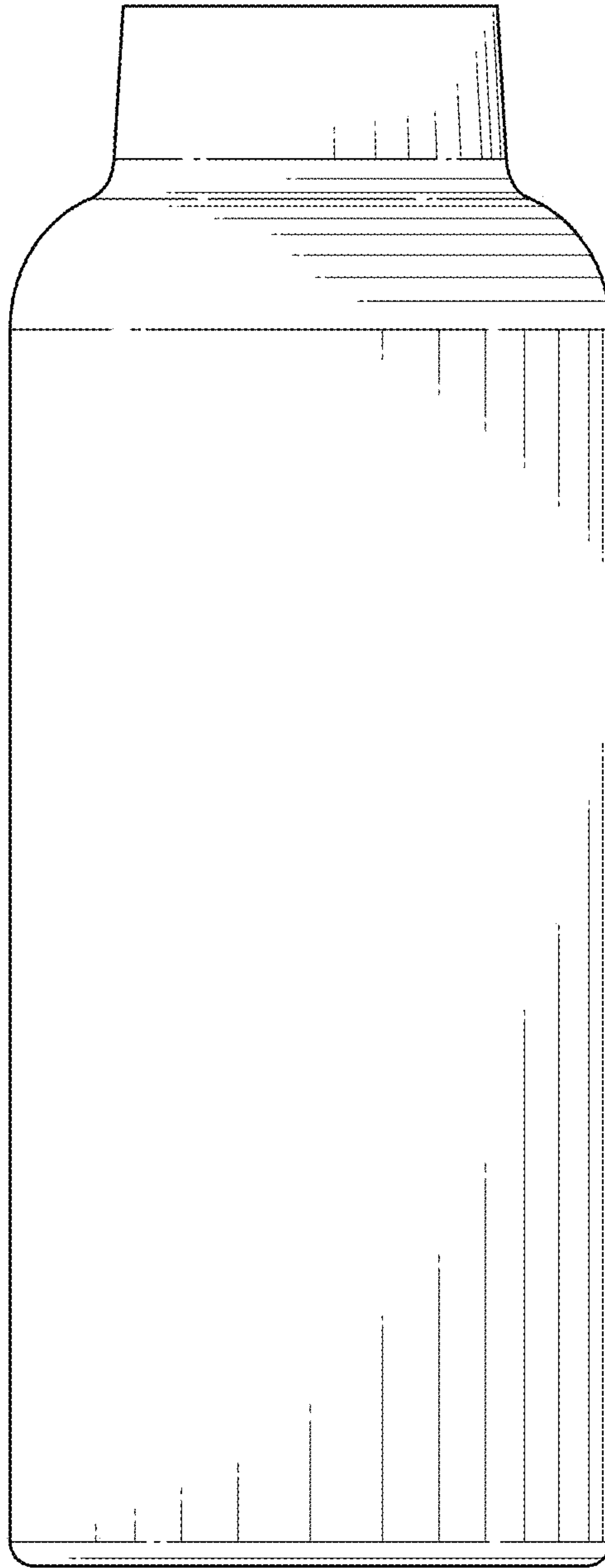


FIG. 6

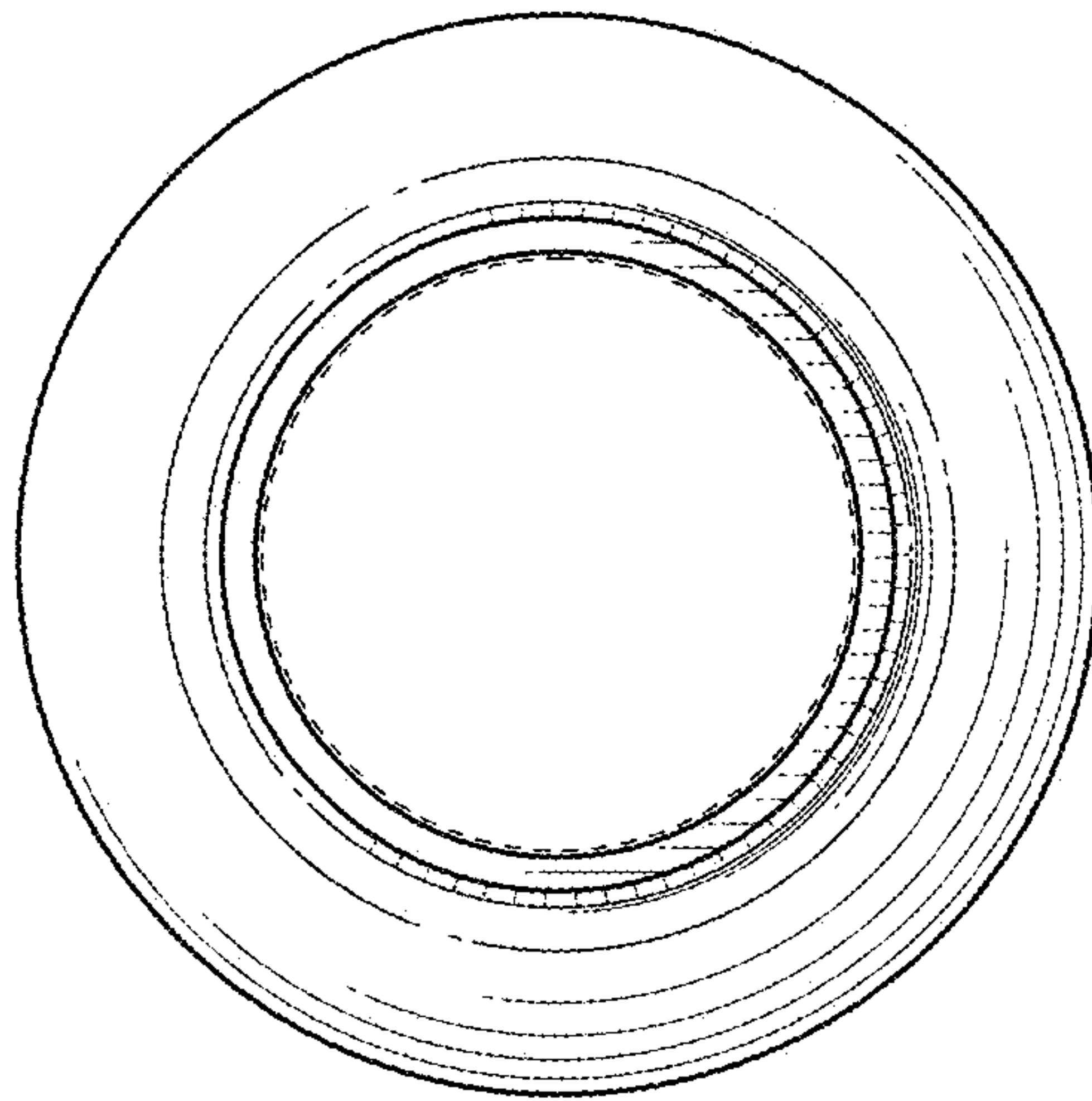


FIG. 7

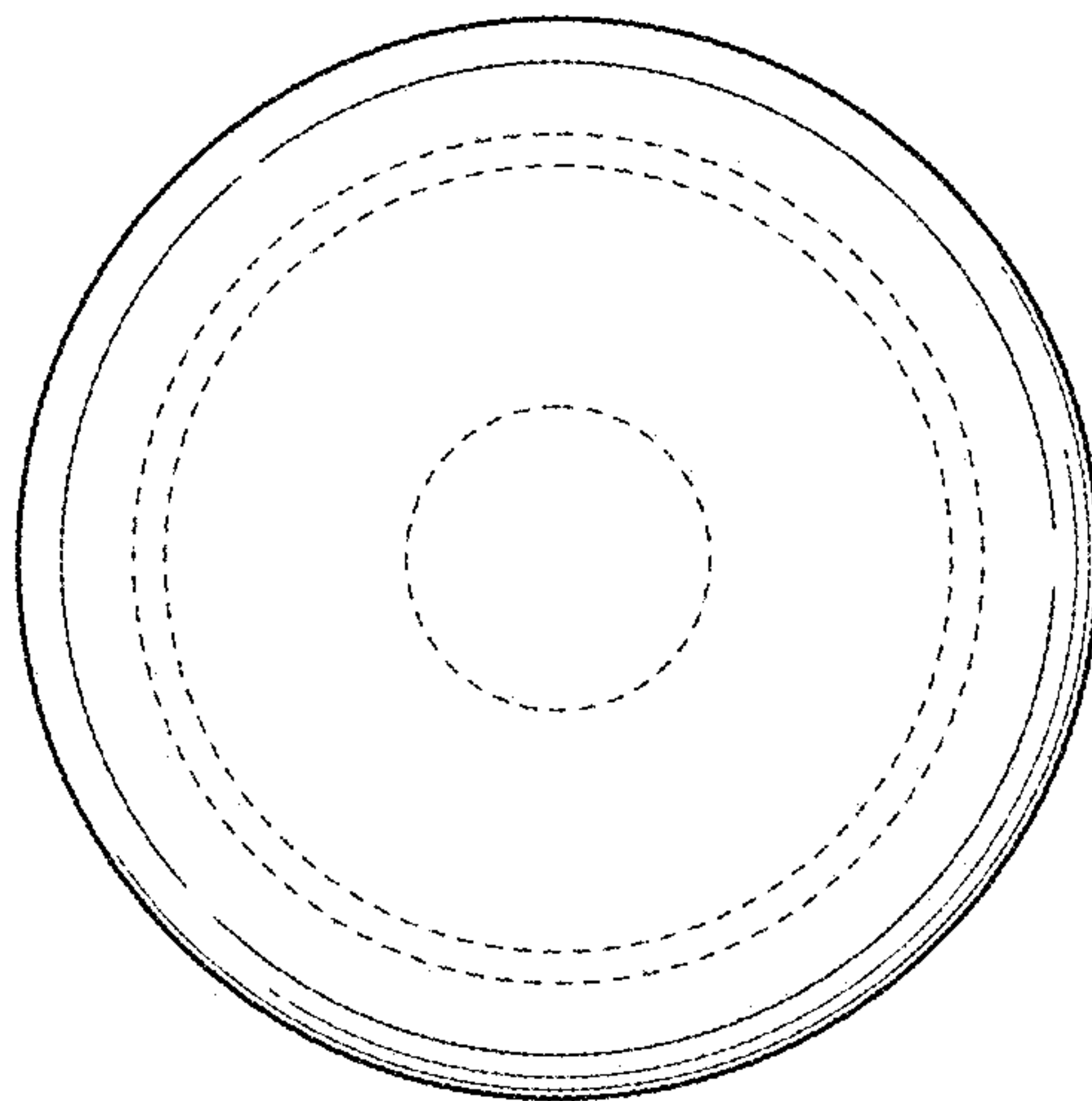


FIG. 8

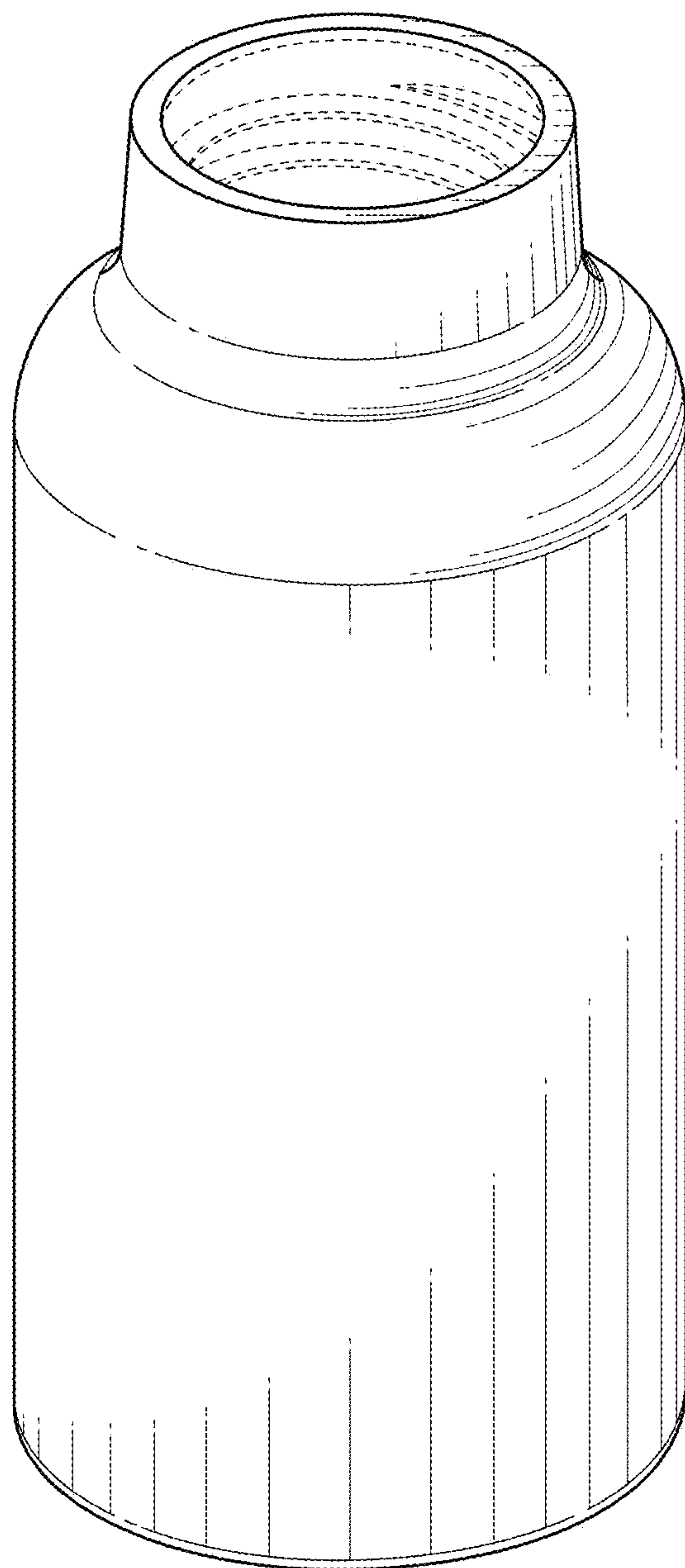


FIG. 9

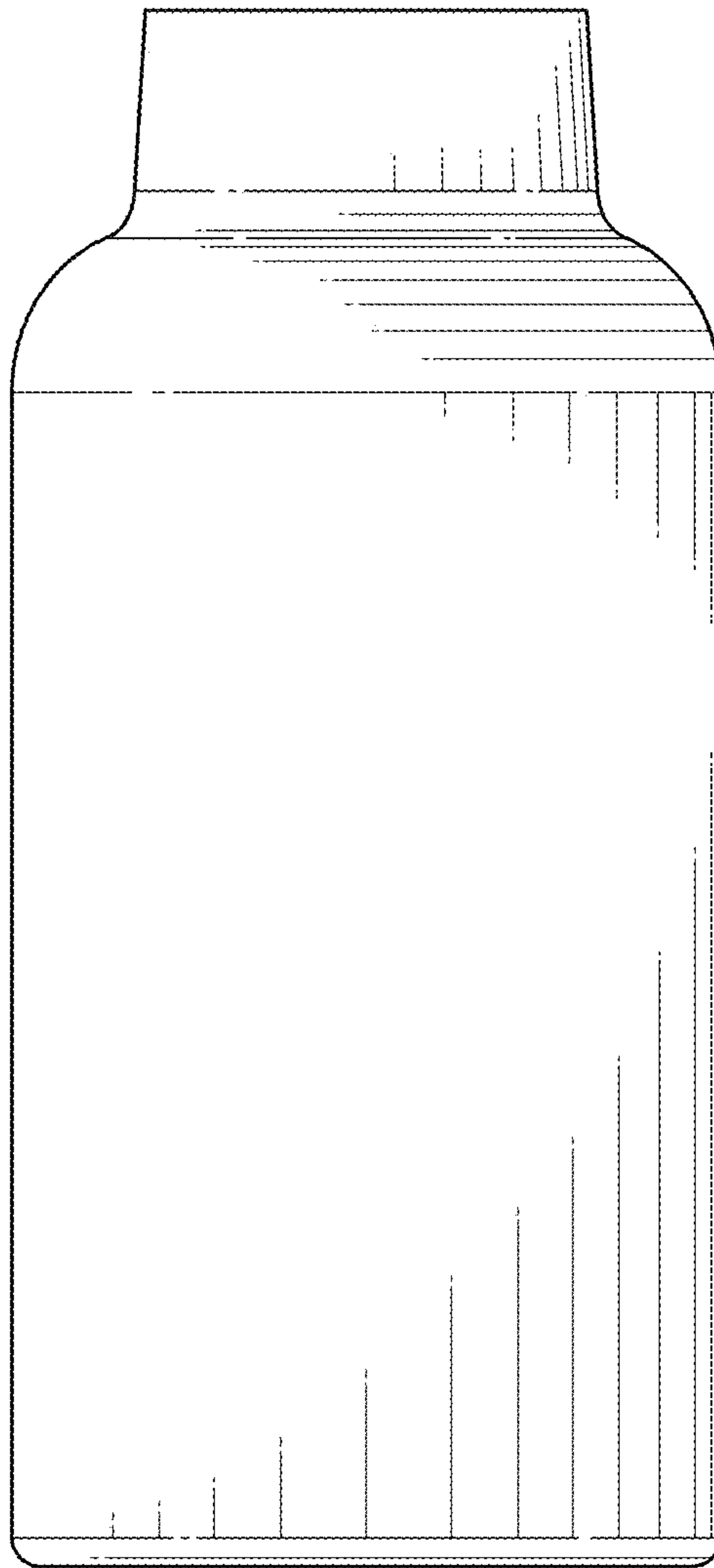


FIG. 10

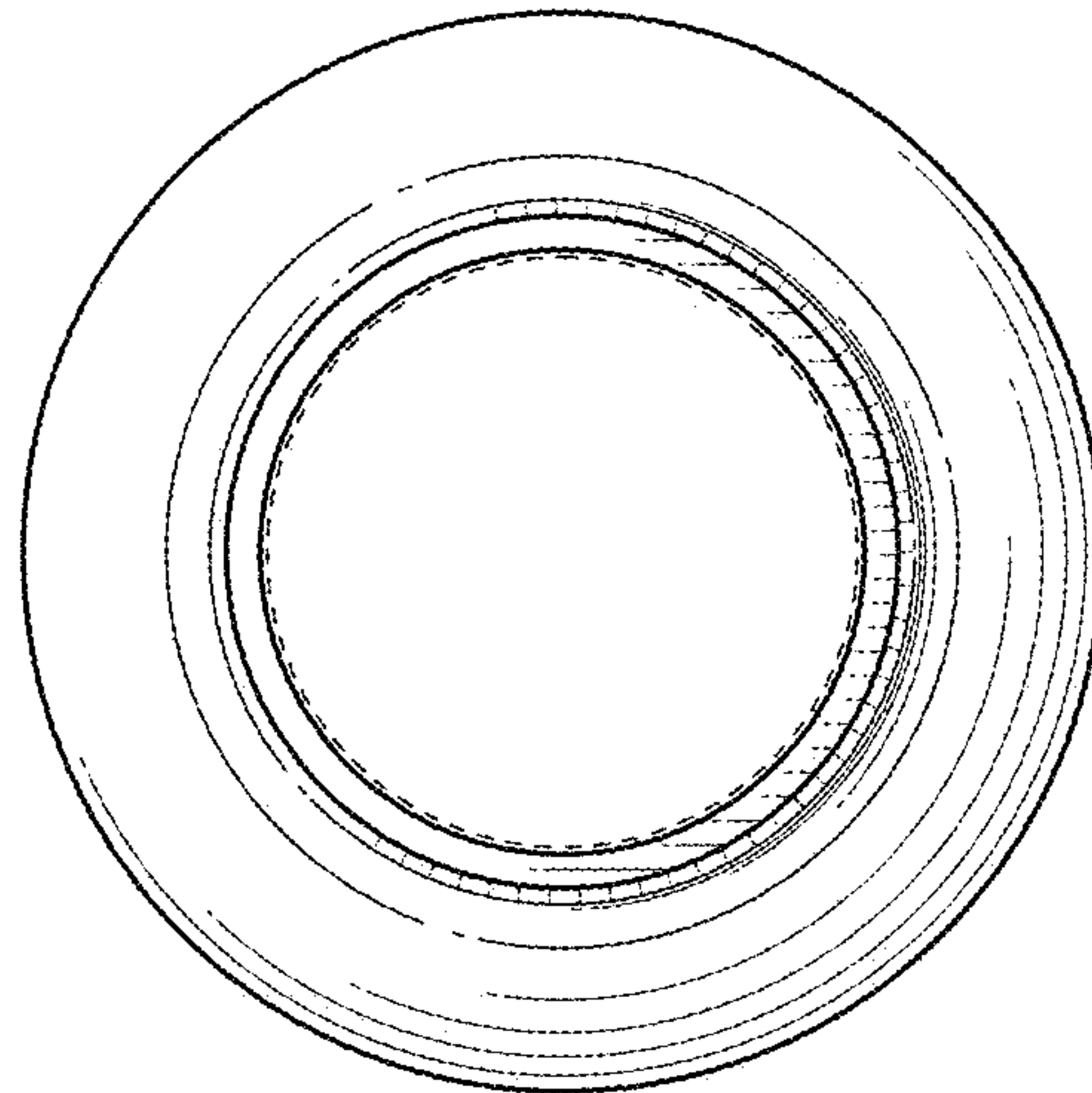


FIG. 11

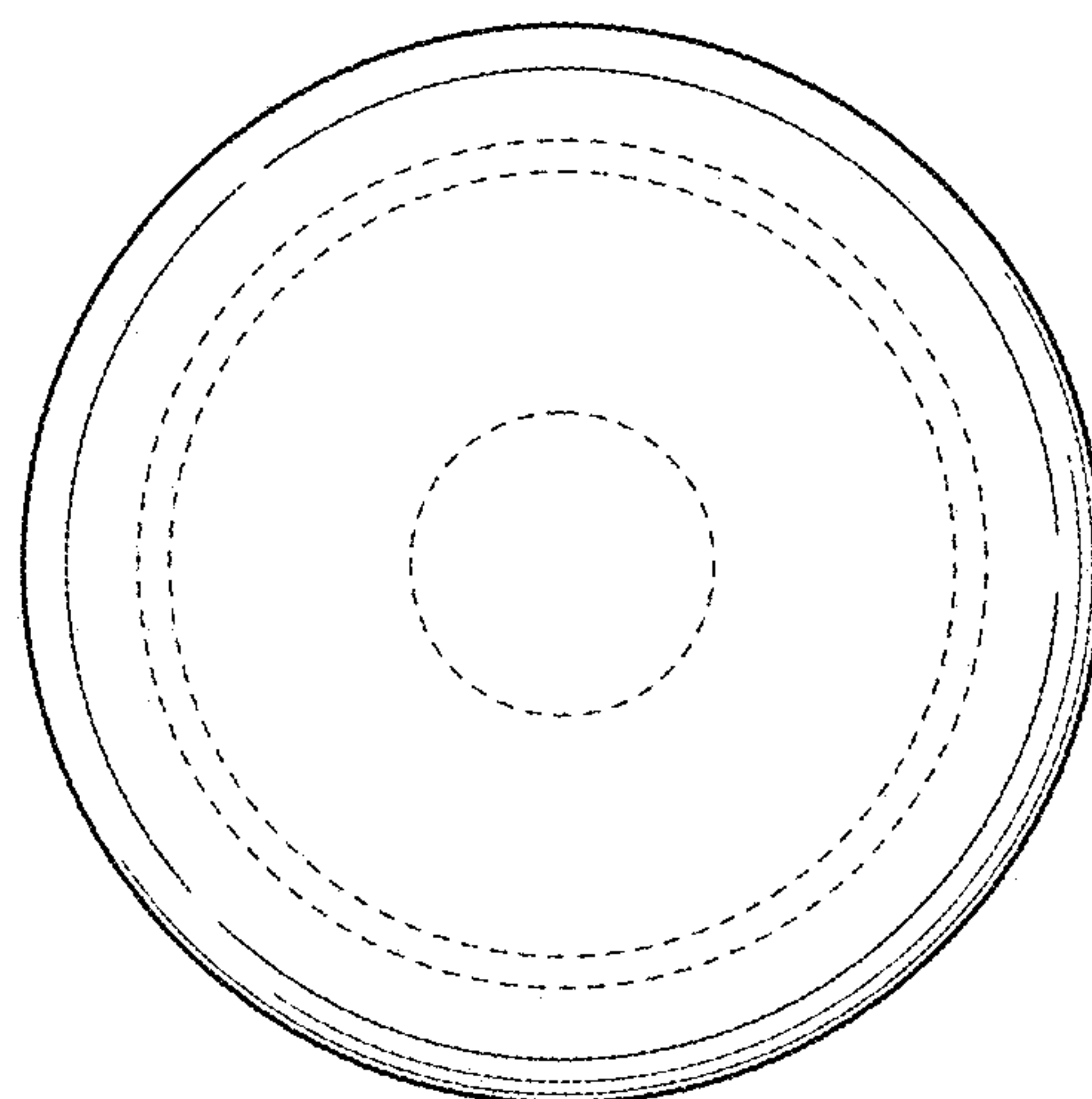


FIG. 12