

US00D932251S

(12) **United States Design Patent** (10) **Patent No.:** **US D932,251 S**
Lapeyrouse, Jr. (45) **Date of Patent:** **** Oct. 5, 2021**

(54) **ROCK CANDY POWDER MILL AND DISPENSER**

(71) Applicant: **FTGC, LLC**, Marrero, LA (US)

(72) Inventor: **Paul Joseph Lapeyrouse, Jr.**, Marrero, LA (US)

(73) Assignee: **FTGC, LLC**, Marrero, LA (US)

(**) Term: **15 Years**

(21) Appl. No.: **35/001,774**

(22) Filed: **Dec. 5, 2019**

(80) **Hague Agreement Data**

Int. Filing Date: **Dec. 5, 2019**

Int. Reg. No.: **DM/209028**

Int. Reg. Date: **Dec. 5, 2019**

Int. Reg. Pub. Date: **Jul. 10, 2020**

(51) **LOC (13) Cl.** **07-07**

(52) **U.S. Cl.**

USPC **D7/589**

(58) **Field of Classification Search**

USPC D7/679, 372, 373, 374; D9/500, 503, D9/504

CPC ... A21C 1/04; A47J 42/34; A47J 42/00; A47J 42/04; A47J 42/14; A47J 42/18; A47J 42/24; A47J 42/42; A47J 42/46; A47J 42/06; A47J 42/08; A47J 42/40; A47J 43/04; A47J 43/044; A47J 43/0722; A47J 43/06; A47J 43/25; A47J 43/255; A24C 5/40; B02C 18/08; B02C 18/24; B02C 18/16

See application file for complete search history.

(56) **References Cited**

U.S. PATENT DOCUMENTS

5,370,884 A 12/1994 Coleman
5,993,870 A 11/1999 Hoeting et al.
6,189,742 B1 1/2001 Thomson et al.

6,190,226 B1 2/2001 Conconi
D445,006 S * 7/2001 Young D7/679
D455,324 S * 4/2002 Wright D7/679
D467,773 S * 12/2002 Wright D7/679
D468,631 S 1/2003 Hart et al.
D490,961 S 6/2004 Hart et al.
6,884,447 B2 4/2005 Baker
7,025,232 B2 4/2006 Green
D609,535 S * 2/2010 Kavanaugh D7/679
7,708,220 B1 5/2010 Tang

(Continued)

FOREIGN PATENT DOCUMENTS

JP 2016220887 A 12/2016
WO 02098764 A1 12/2002

(Continued)

OTHER PUBLICATIONS

Espacenet English Abstract for JP2016220887 A, printed on Oct. 26, 2020.

Primary Examiner — Michael A. Pratt

(74) *Attorney, Agent, or Firm* — Cahn & Samuels, LLP

(57) **CLAIM**

The ornamental design for a rock candy powder mill and dispenser, as shown and described.

DESCRIPTION

1. Rock candy powder mill and dispenser

1.1 : Perspective

1.2 : Top

1.3 : Bottom

1.4 : Front

1.5 : Back

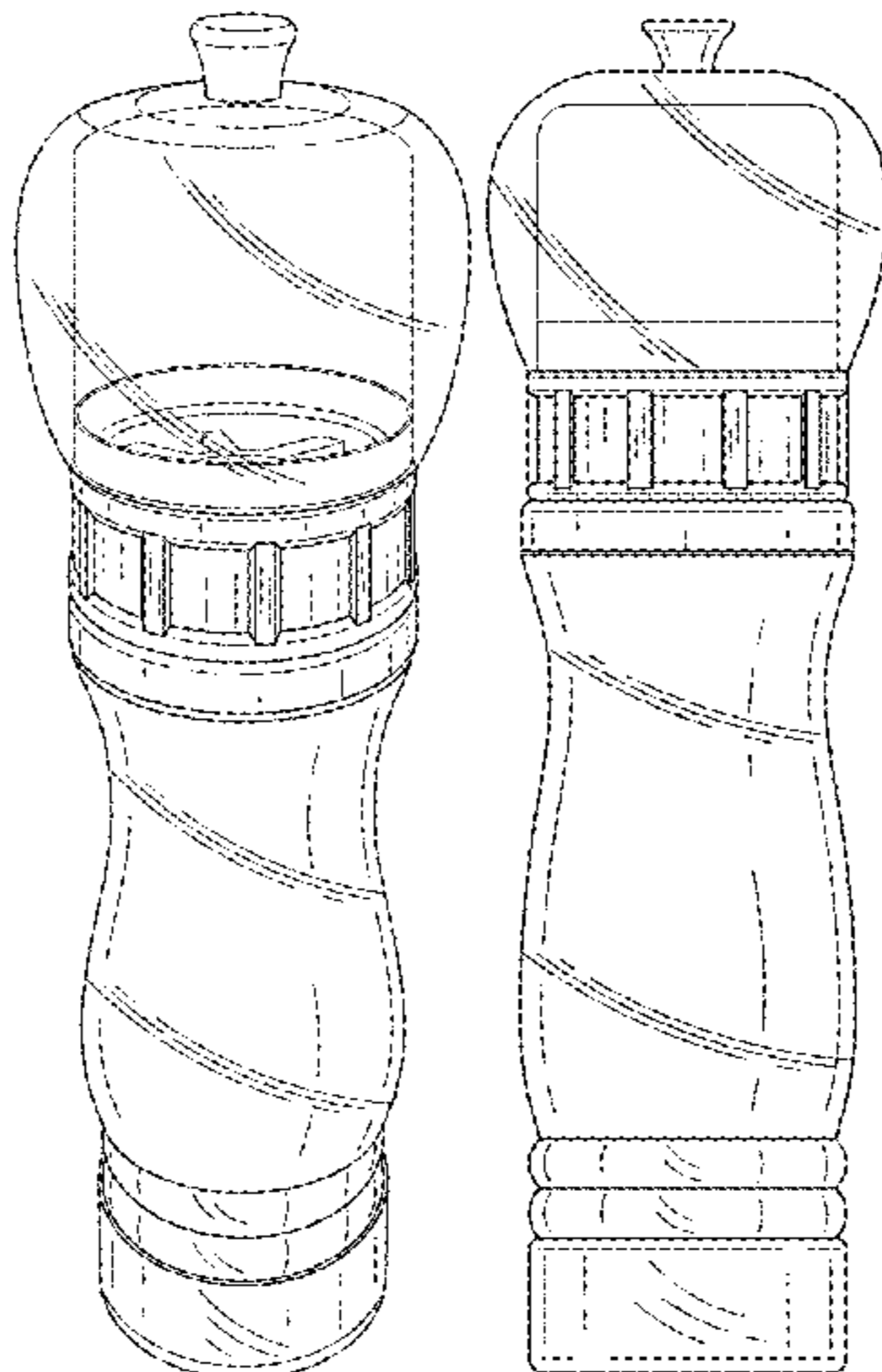
1.6 : Left

1.7 : Right

1.8 : Exploded

A generally cylindrical rock candy powder mill and dispenser, an integrated grinding station, and a magnifying collecting bowl.

1 Claim, 8 Drawing Sheets



(56)

References Cited

U.S. PATENT DOCUMENTS

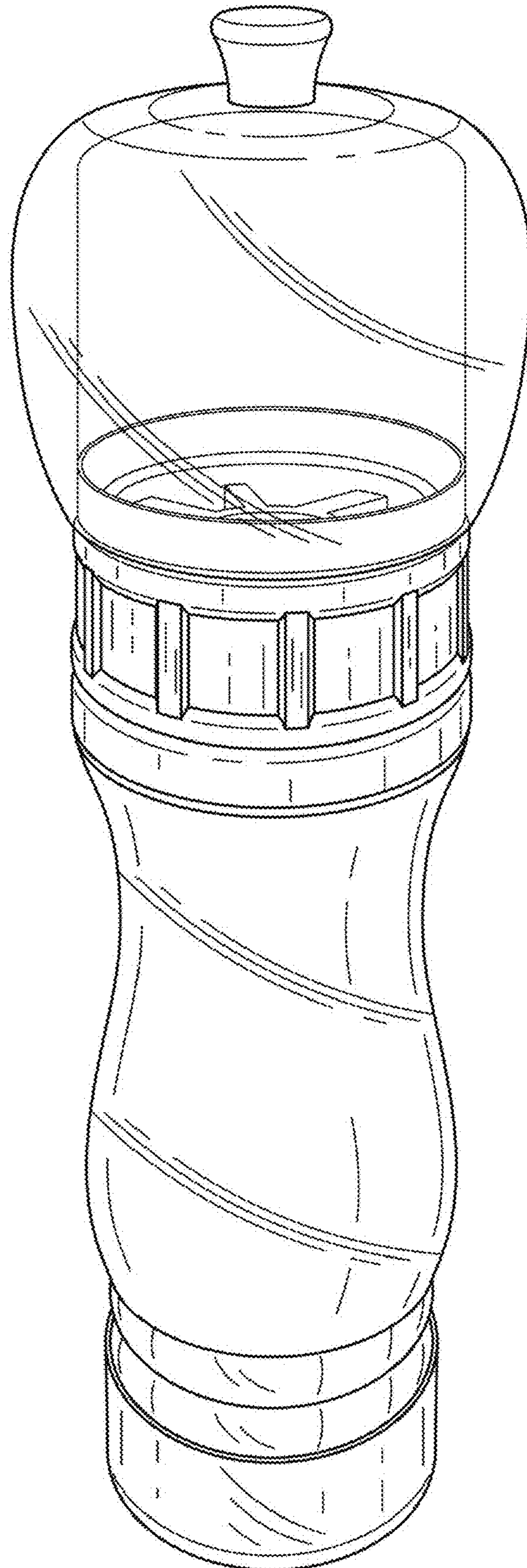
8,092,847	B2	1/2012	Chan	
9,173,513	B2	11/2015	Bogani et al.	
9,505,009	B1	11/2016	Wein et al.	
D810,390	S	2/2018	Lapeyrouse, Jr.	
D921,450	S *	6/2021	Brouillac	D7/679
2002/0142073	A1	10/2002	Baker	
2003/0082279	A1	5/2003	Chan	
2003/0152672	A1	8/2003	Coleman et al.	
2003/0206999	A1	11/2003	Coleman et al.	
2003/0215549	A1	11/2003	Coleman et al.	
2019/0387766	A1	12/2019	Lapeyrouse, Jr.	
2020/0198882	A1	6/2020	Lapeyrouse, Jr.	

FOREIGN PATENT DOCUMENTS

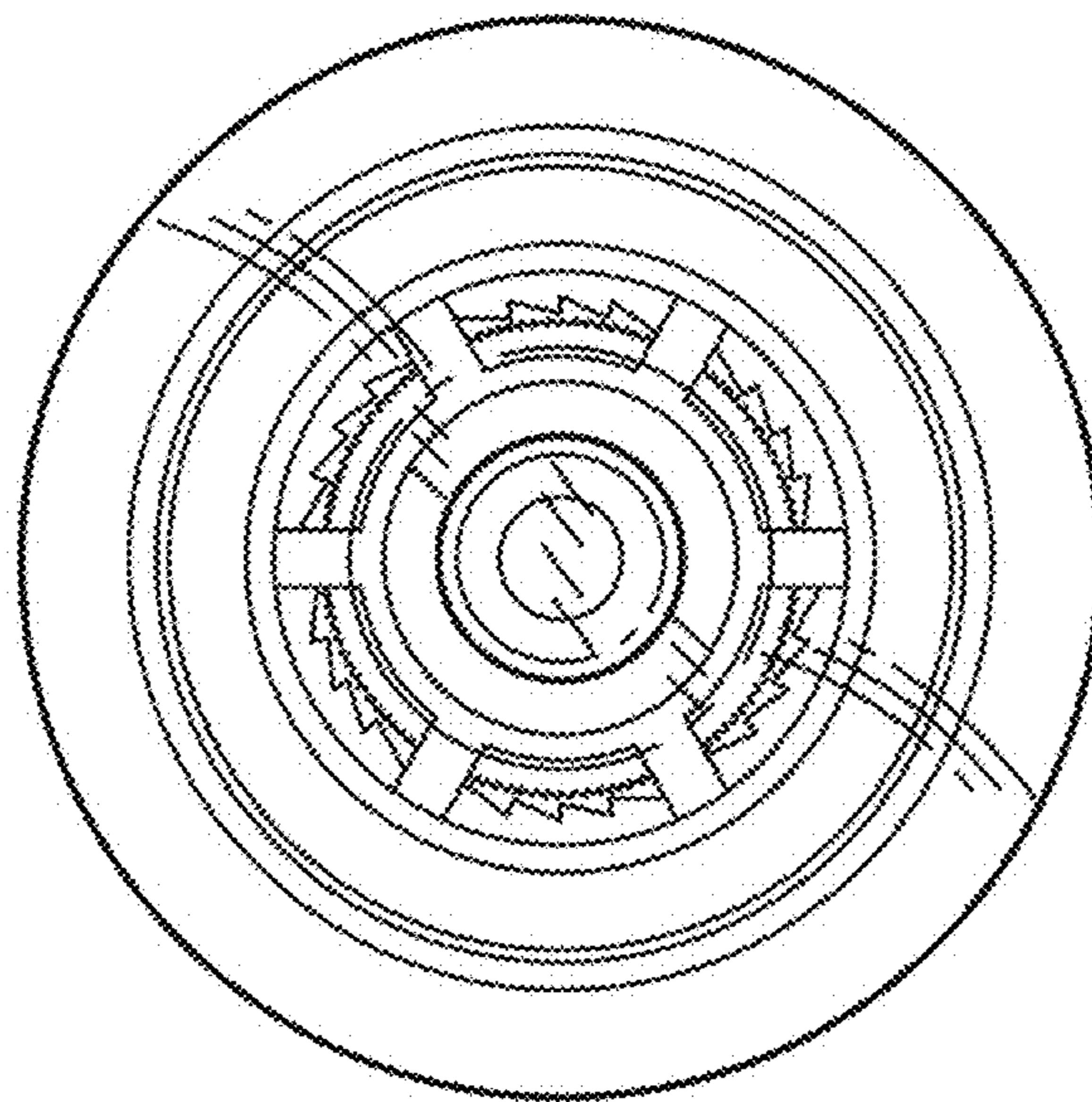
WO	DM103431	2/2018
WO	DM209154	3/2019

* cited by examiner

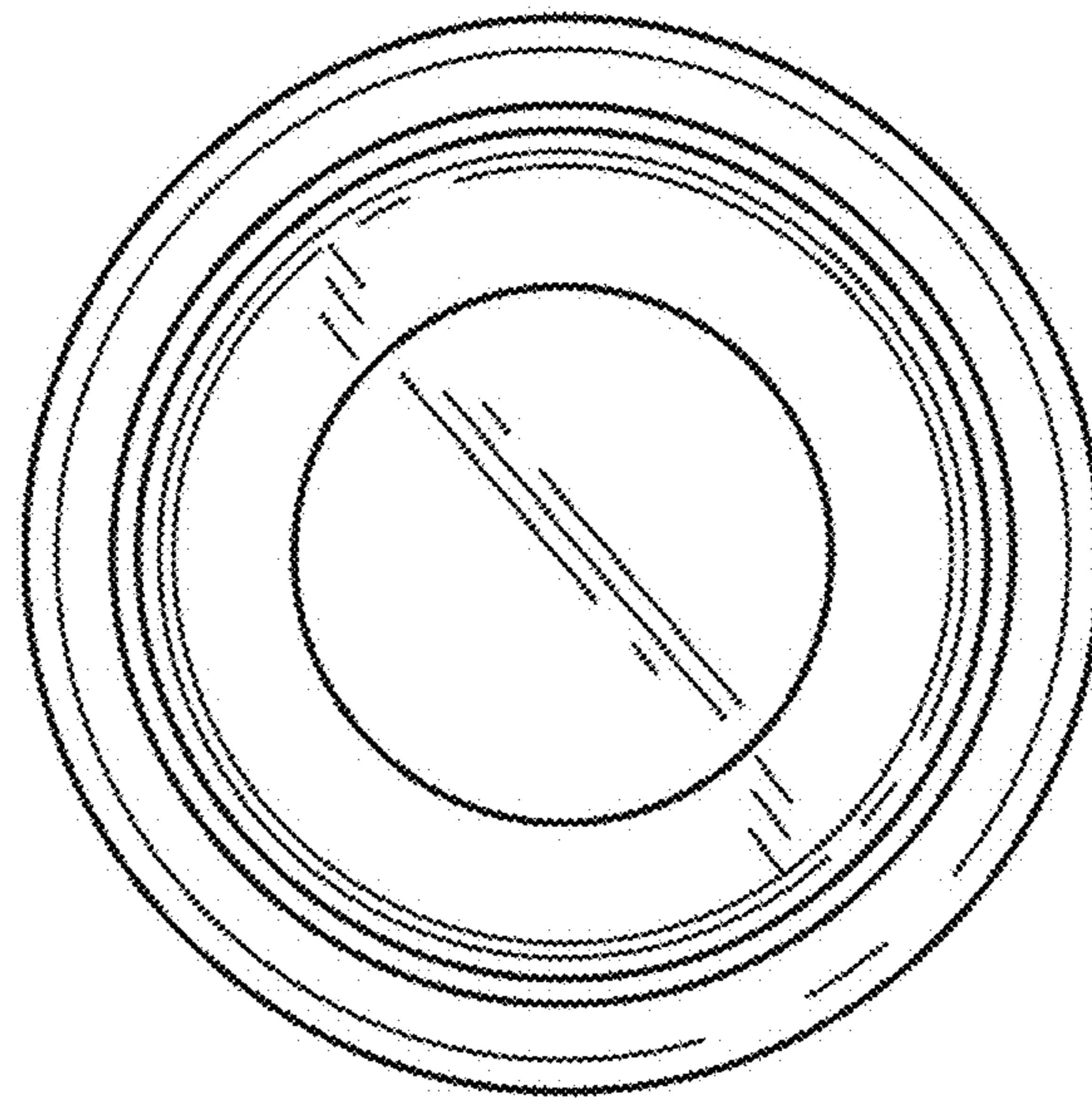
1.1



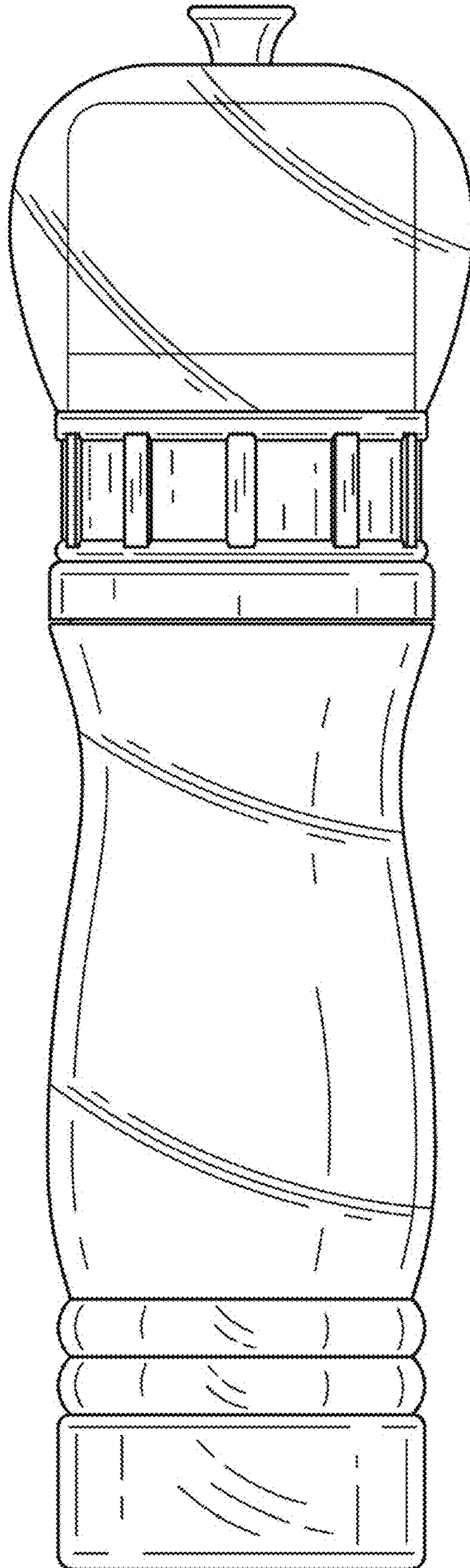
1.2



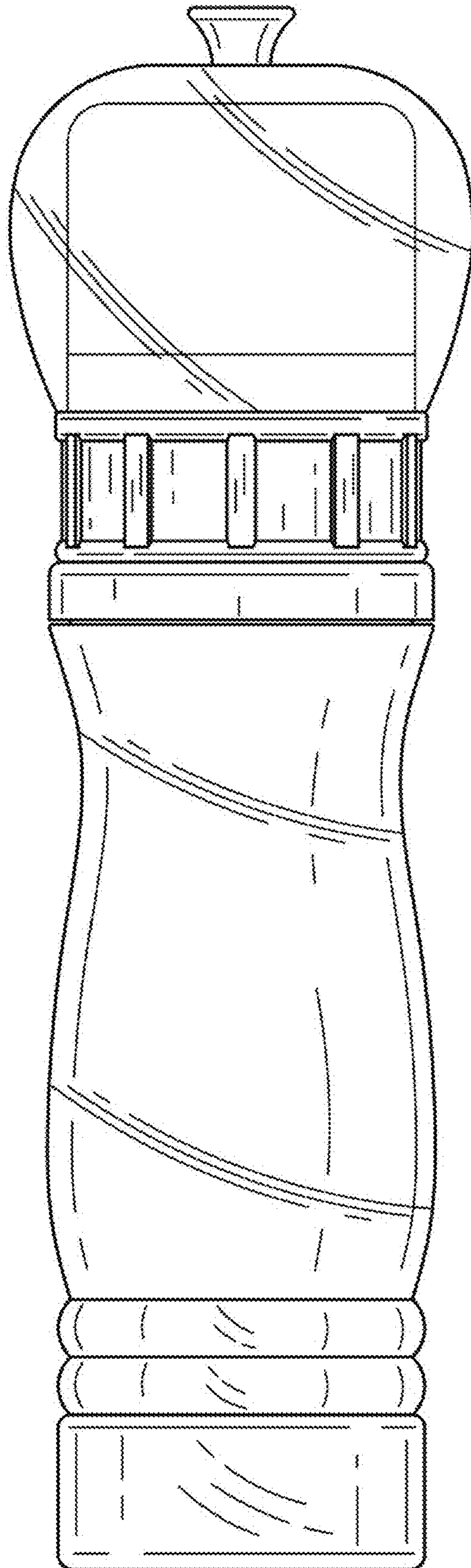
1.3



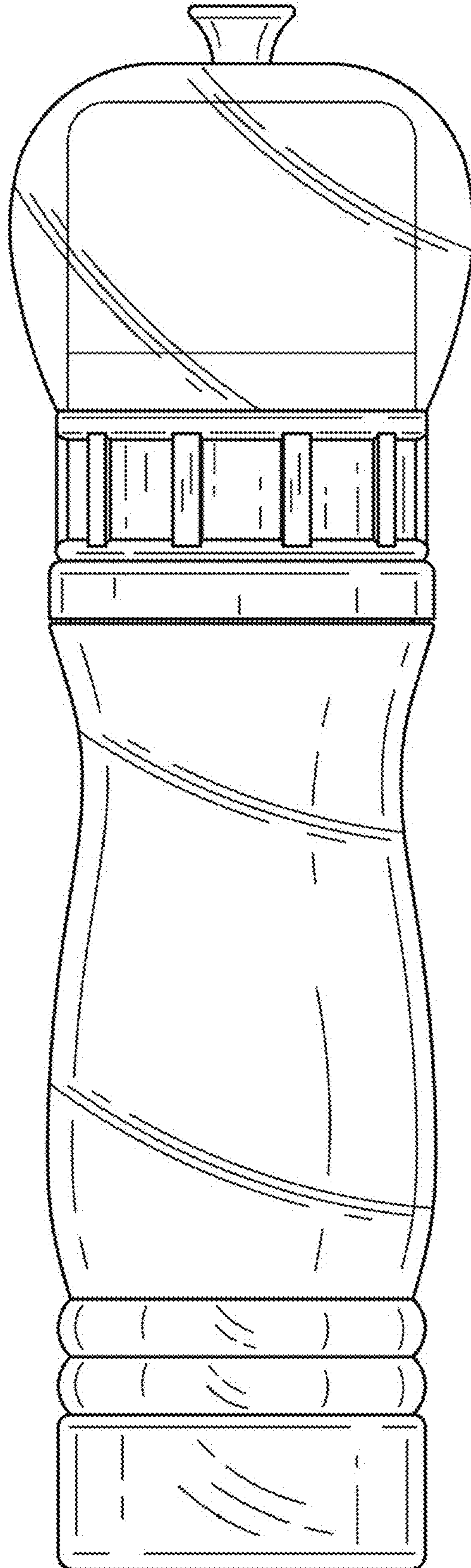
1.4



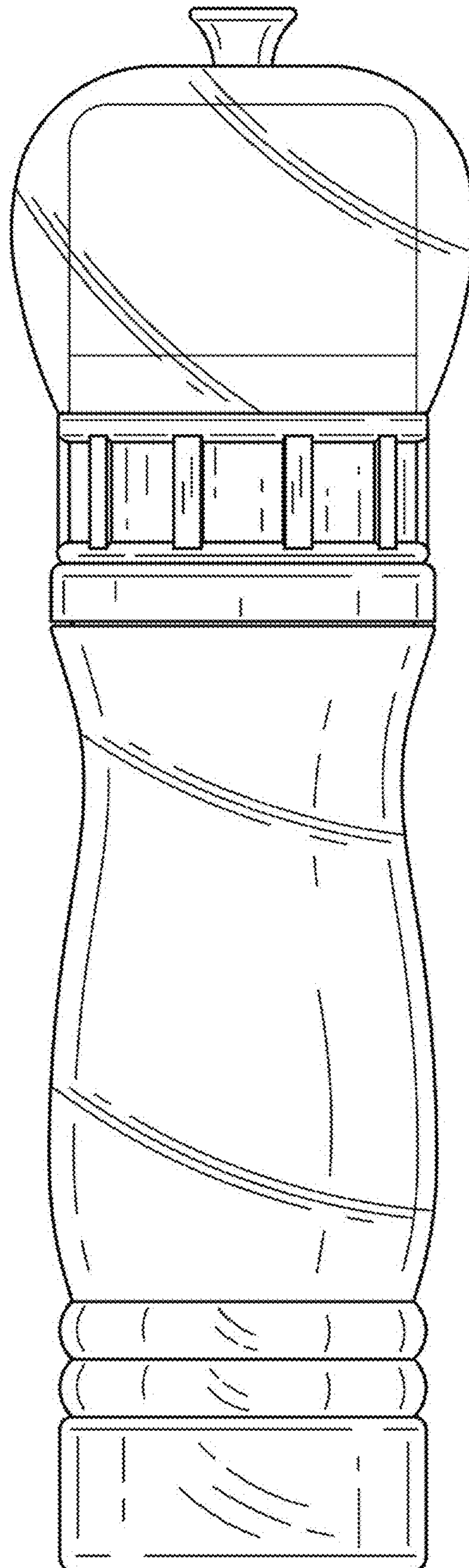
1.5



1.6



1.7



1.8

