



US00D932247S

(12) **United States Design Patent** (10) **Patent No.:** **US D932,247 S**  
**Huang** (45) **Date of Patent:** **\*\* Oct. 5, 2021**

(54) **SILICONE COLLAPSIBLE WATER BOTTLE**

(56) **References Cited**

(71) Applicant: **Shenzhen Bangpei Necessities Co., Ltd.**, Guangdong (CN)

U.S. PATENT DOCUMENTS

(72) Inventor: **Jiafeng Huang**, Guangdong (CN)

D328,832 S \* 8/1992 Lai ..... D7/300.1  
D434,332 S \* 11/2000 Sir ..... D9/520

(73) Assignee: **Shenzhen Bangpei Necessities Co., Ltd.**, Shenzhen (CN)

(Continued)

(\*\*) Term: **15 Years**

OTHER PUBLICATIONS

(21) Appl. No.: **29/719,106**

Design No. 304655887, Jun. 1, 2018—China National Intellectual Property Administration (CNIPA) Publication Date—Jun. 1, 2018  
Owner—Yang Zongneng WIPO, available at <https://www3.wipo.int/designdb/en/index.jsp> (Year: 2018).\*

(22) Filed: **Dec. 31, 2019**

(Continued)

(30) **Foreign Application Priority Data**

*Primary Examiner* — Mary Ann Calabrese

Sep. 12, 2019 (CN) ..... 201930503579.7

*Assistant Examiner* — Natalya M Rapundalo

(51) **LOC (13) Cl.** ..... **07-01**

(57) **CLAIM**

(52) **U.S. Cl.**

USPC ..... **D7/512**; D7/514; D7/515

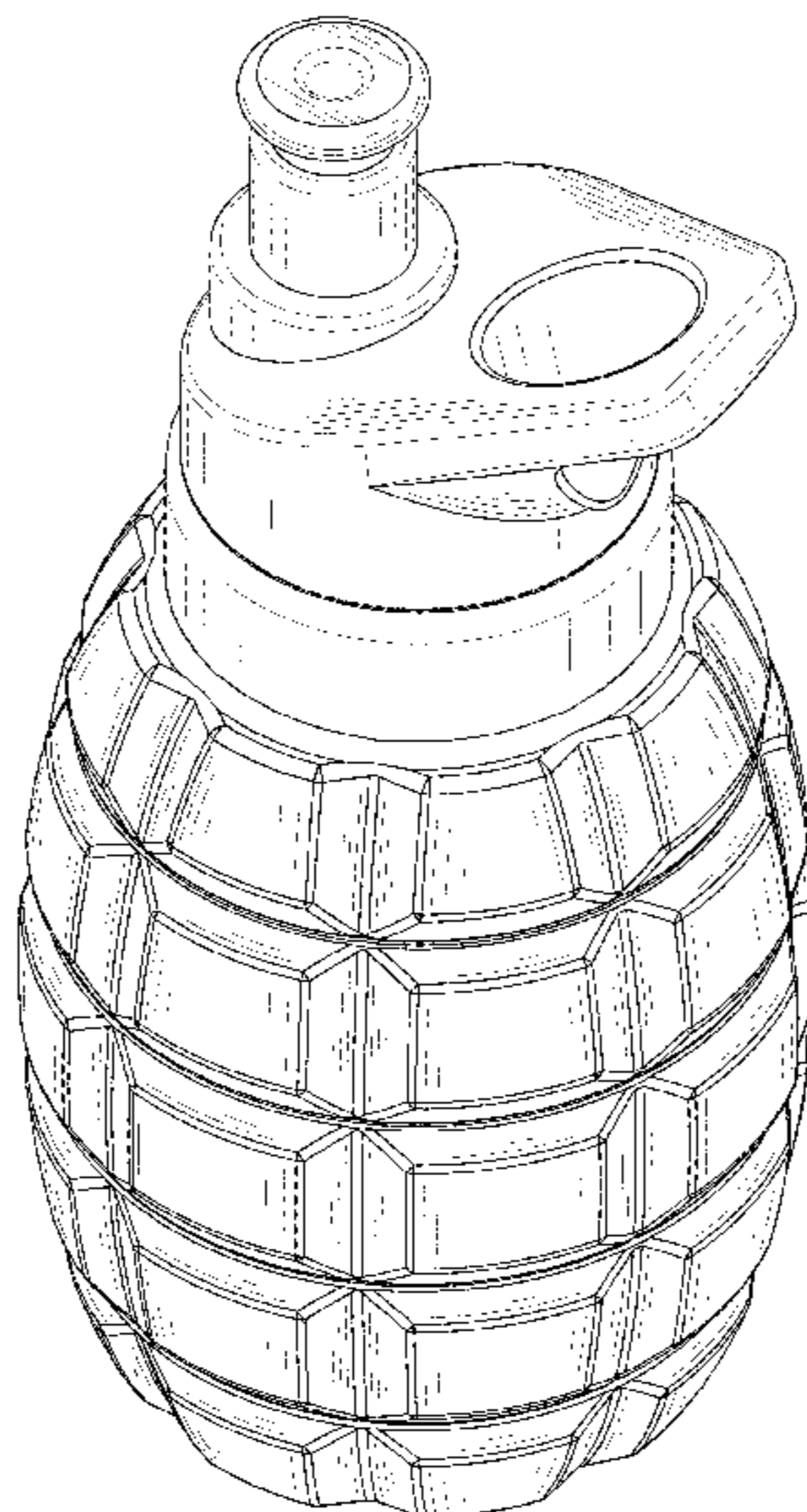
The ornamental design for a silicone collapsible water bottle, as shown and described.

(58) **Field of Classification Search**

USPC ... D7/300–303, 387, 396.1, 396.2, 397, 500, D7/502, 505–507, 509–523, 529–545, D7/555–558, 560, 571–573, 577, D7/598–599, 601–604, 611, 619.1, 619.2, D7/701, 702, 900, 901; D1/106, 115; D3/270, 271.8, 271.9; D6/580, 665; D8/21, 26, 76, 378; D9/519, 529, D9/544–545, 549, 553, 558, 572, 600, D9/642–645, 649, 651, 655, 658, 668, D9/679–680; D11/44, 48, 62–63, 67–68, D11/86, 89–90, 131, 200, 204, 217, 223, D11/225, 238; D21/301, 312–315, D21/386–387, 710, 725, 727, 780; D22/112–114, 144; D27/118–120, 148, D27/151, 165, 188; D99/5  
CPC .. A45F 3/16; A45F 3/20; A47G 19/22; A47G 19/2205; A47G 19/26; A47G 2019/2277; A47G 21/18; A63B 59/50; B65D 1/00; B65D 1/02; B65D 1/32; B65D 11/00; B65D

(Continued)

**1 Claim, 9 Drawing Sheets**



(58) **Field of Classification Search**

CPC ..... 11/02; B65D 11/10; B65D 11/14; B65D  
11/16; B65D 11/18; B65D 11/20; B65D  
15/00; B65D 15/02; B65D 15/22; B65D  
15/24

See application file for complete search history.

(56) **References Cited**

U.S. PATENT DOCUMENTS

D504,280	S	*	4/2005	Chuang	.....	D7/530
D614,440	S	*	4/2010	Cresswell	.....	D7/392.1
D616,718	S	*	6/2010	van der Lande	.....	D8/85
D660,177	S	*	5/2012	Ferenc	.....	D9/680
D675,537	S	*	2/2013	Nikolayev	.....	D9/680
D683,235	S	*	5/2013	Albert	.....	D9/680
D685,543	S	*	7/2013	Lohmann	.....	D32/35
D752,989	S	*	4/2016	Shawishian	.....	D9/680
D767,407	S	*	9/2016	Newcomer	.....	D9/680
D779,886	S	*	2/2017	Singlaub	.....	D7/532
D848,568	S	*	5/2019	Wynalda, Jr.	.....	D22/112
D918,660	S	*	5/2021	Cui	.....	D7/532
D925,288	S	*	7/2021	Peng	.....	D7/512

OTHER PUBLICATIONS

Design No. 305837885, Jun. 9, 2020—China National Intellectual Property Administration (CNIPA) Publication Date—Jun. 9, 2020  
Owner—Wang Yanping WIPO, available at <https://www3.wipo.int/designdb/en/index.jsp> (Year: 2020).\*

Silapse Collapsible Water Bottles, first available Feb. 6, 2020, Amazon, [online], [site visited Jul. 16, 2021], Available from internet URL: <https://www.amazon.com/Silapse-Collapsible-Water-Bottles-Accessories/dp/B08LXHCZHP/> (Year: 2020).\*

Extendable Frag Bottle, Shredded Warfare, [online], [site visited Jul. 16, 2021], Available from internet URL: <https://shreddedwarfare.com.au/products/sw-grenade-bottle> (Year: 2021).\*

Wholesale Eco-friendly Food Grade Sport 580ml Foldable Collapsible Silicone Water Bottle, Alibaba, [online], [site visited Jul. 16, 2021], Available from internet URL: [https://www.alibaba.com/product-detail/Wholesale-Eco-Friendly-Food-Grade-Sport\\_1600062207500.html](https://www.alibaba.com/product-detail/Wholesale-Eco-Friendly-Food-Grade-Sport_1600062207500.html) (Year: 2021).\*

New Fashion Grenade Silicone Water Bottle, first available Jun. 9, 2021, YouTube, [online], [site visited Jul. 26, 2021], Available from internet URL: <https://www.youtube.com/watch?v=mZJPmursQ58> (Year: 2021).\*

\* cited by examiner

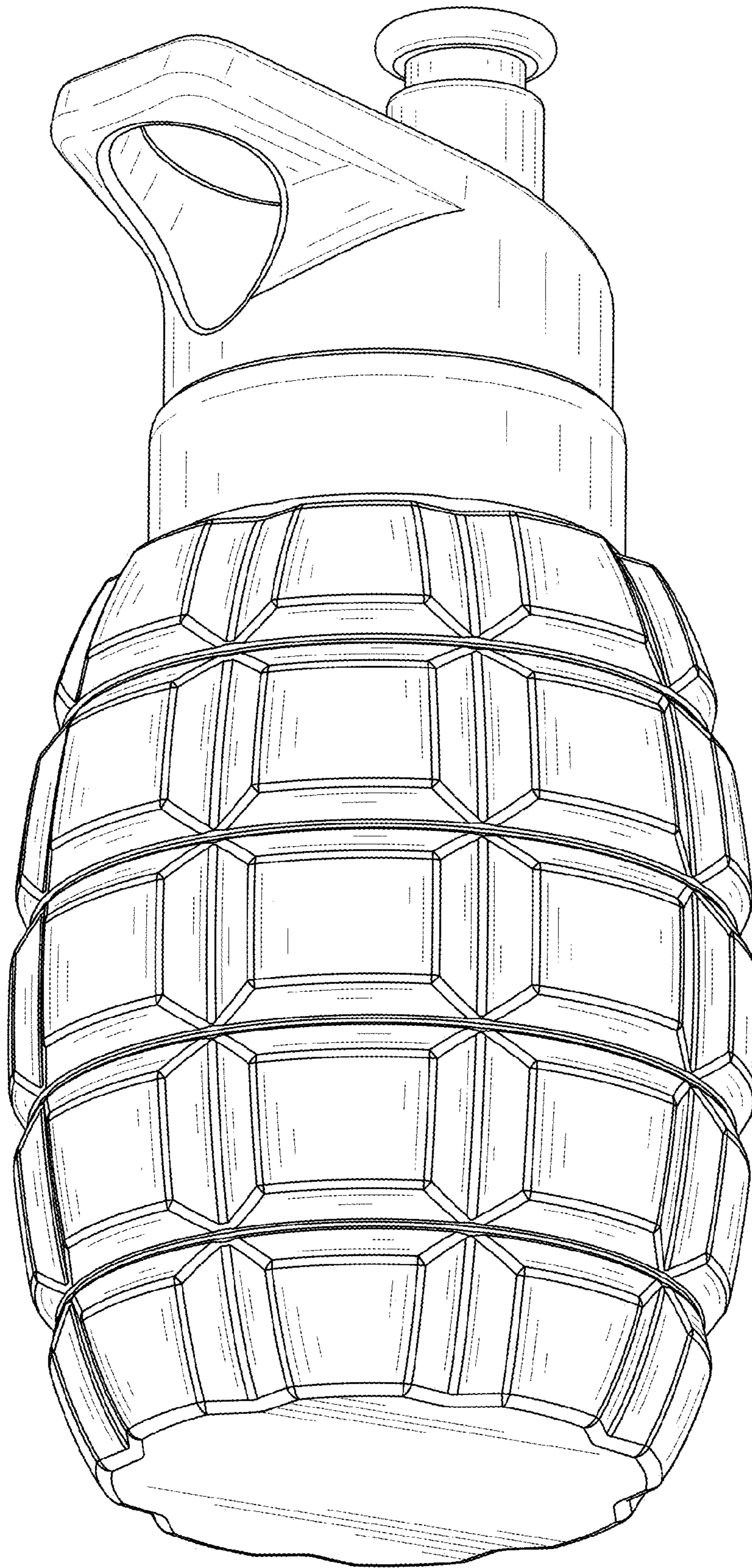


FIG. 1

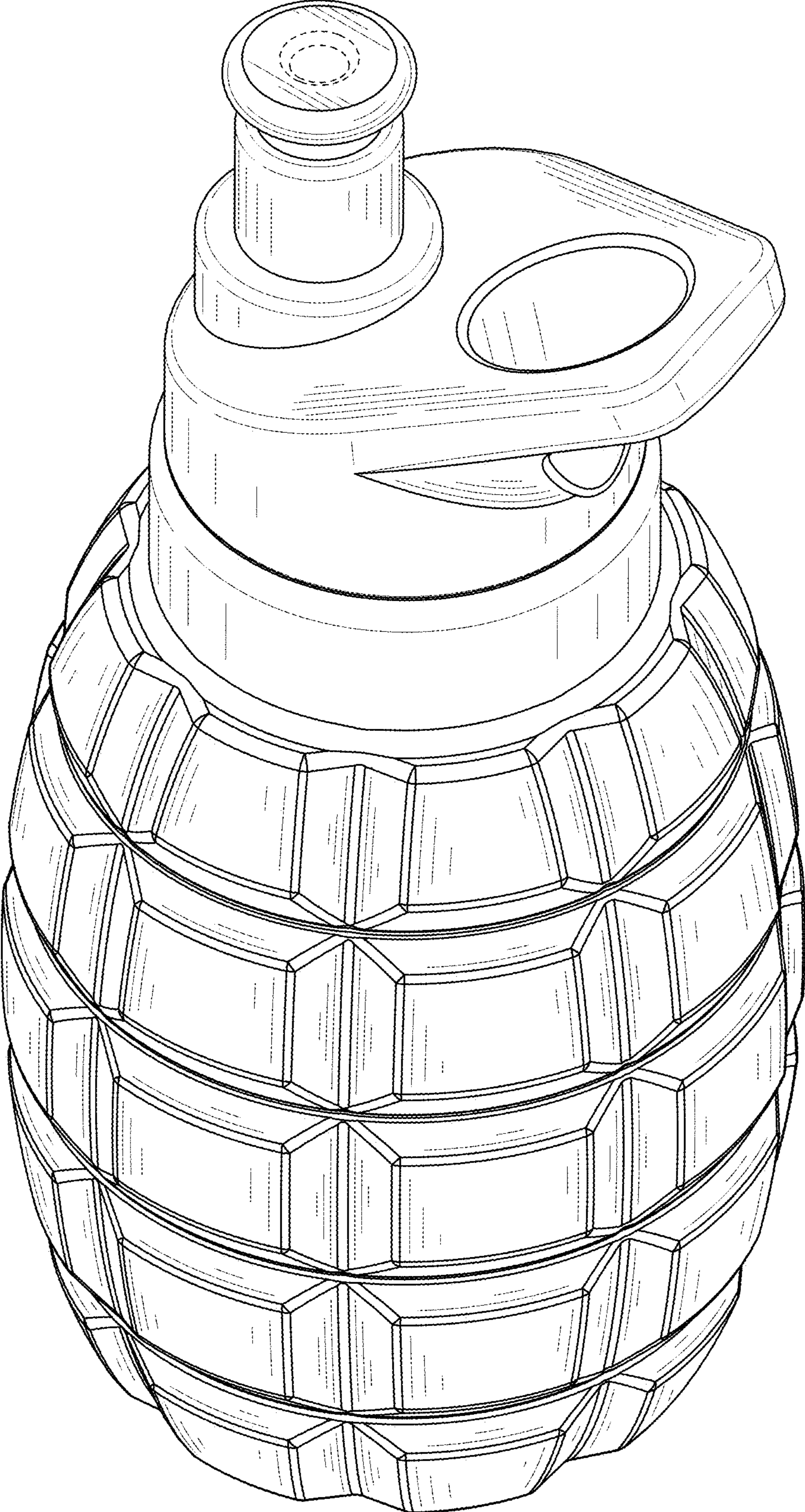


FIG. 2

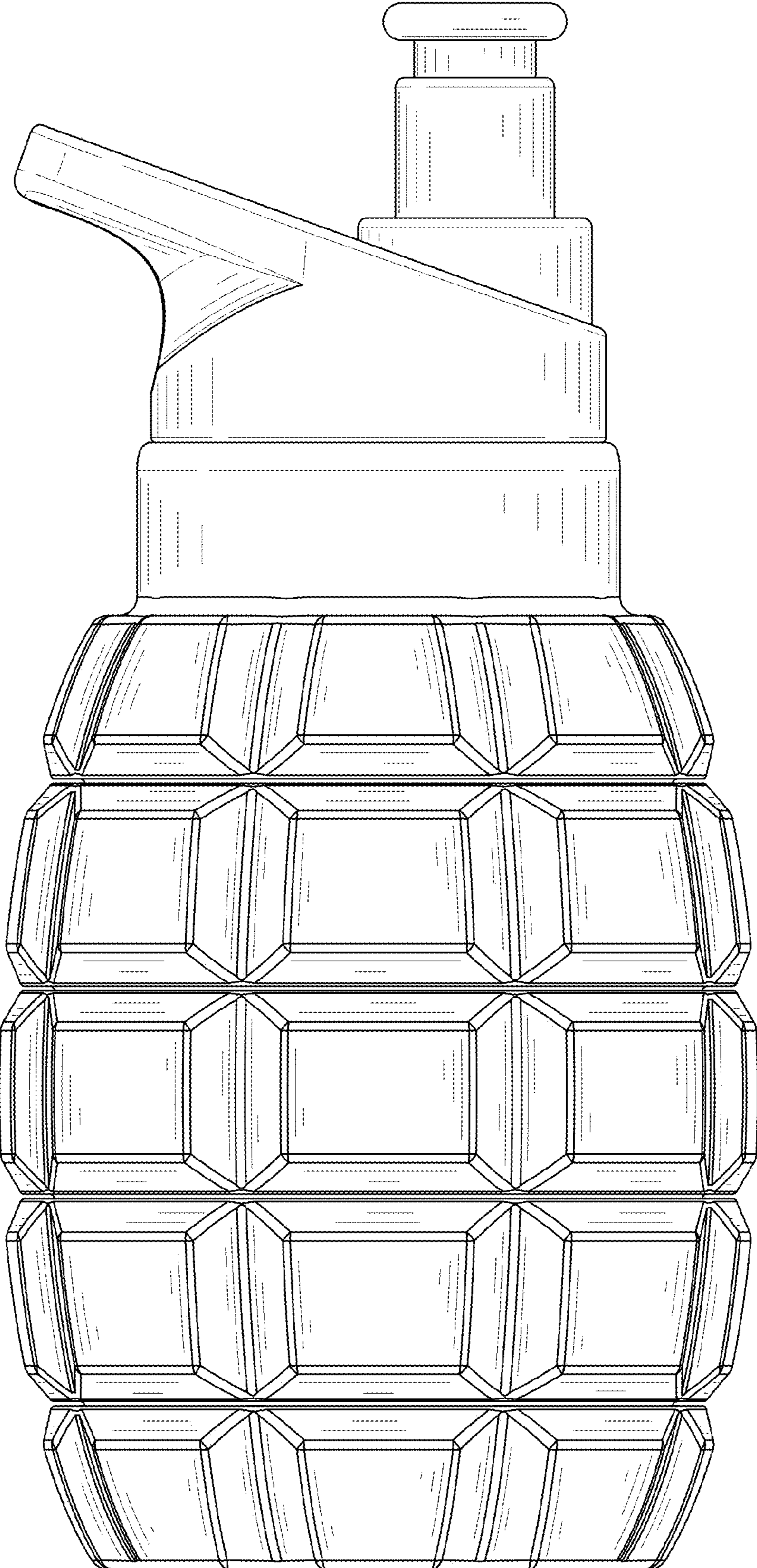


FIG. 3

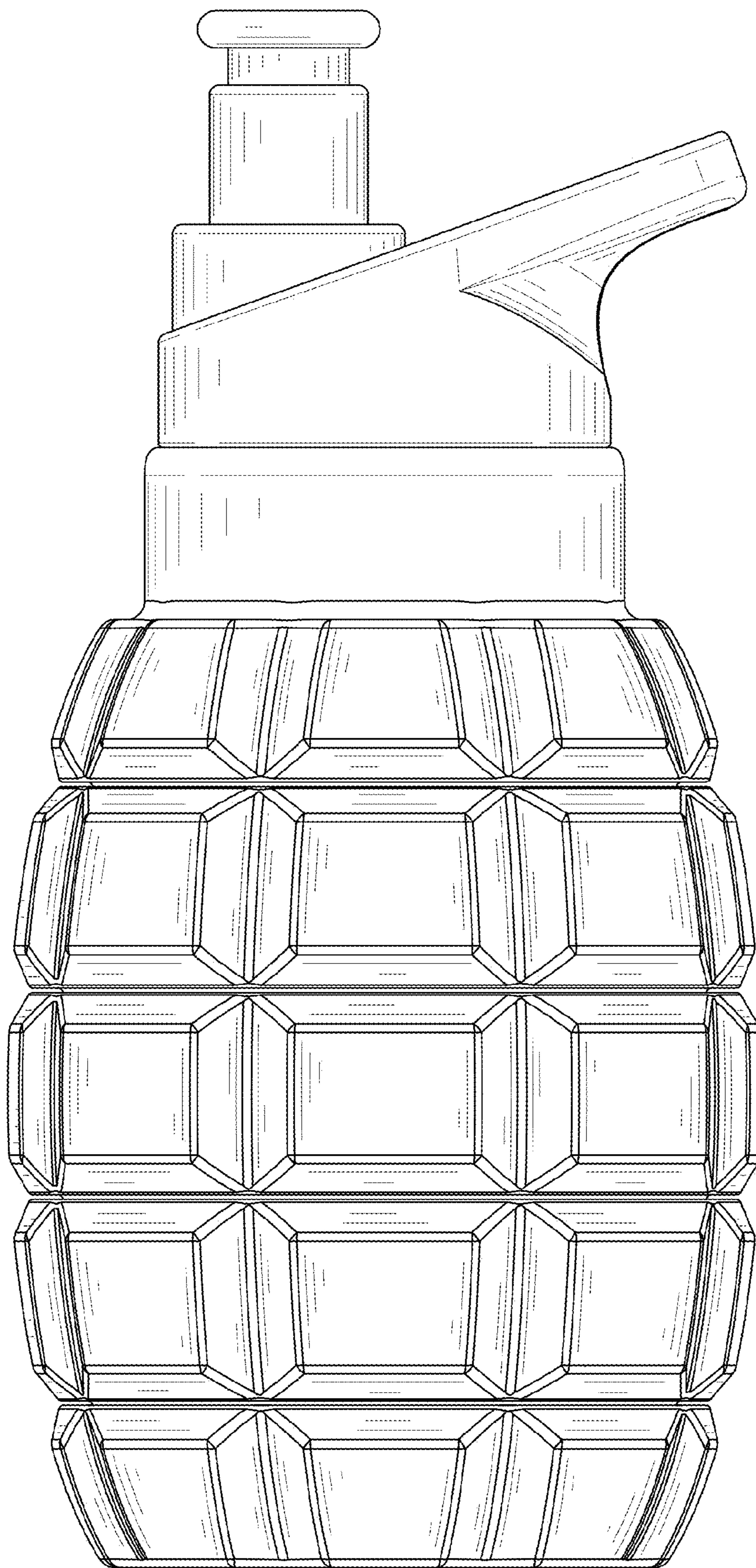


FIG. 4

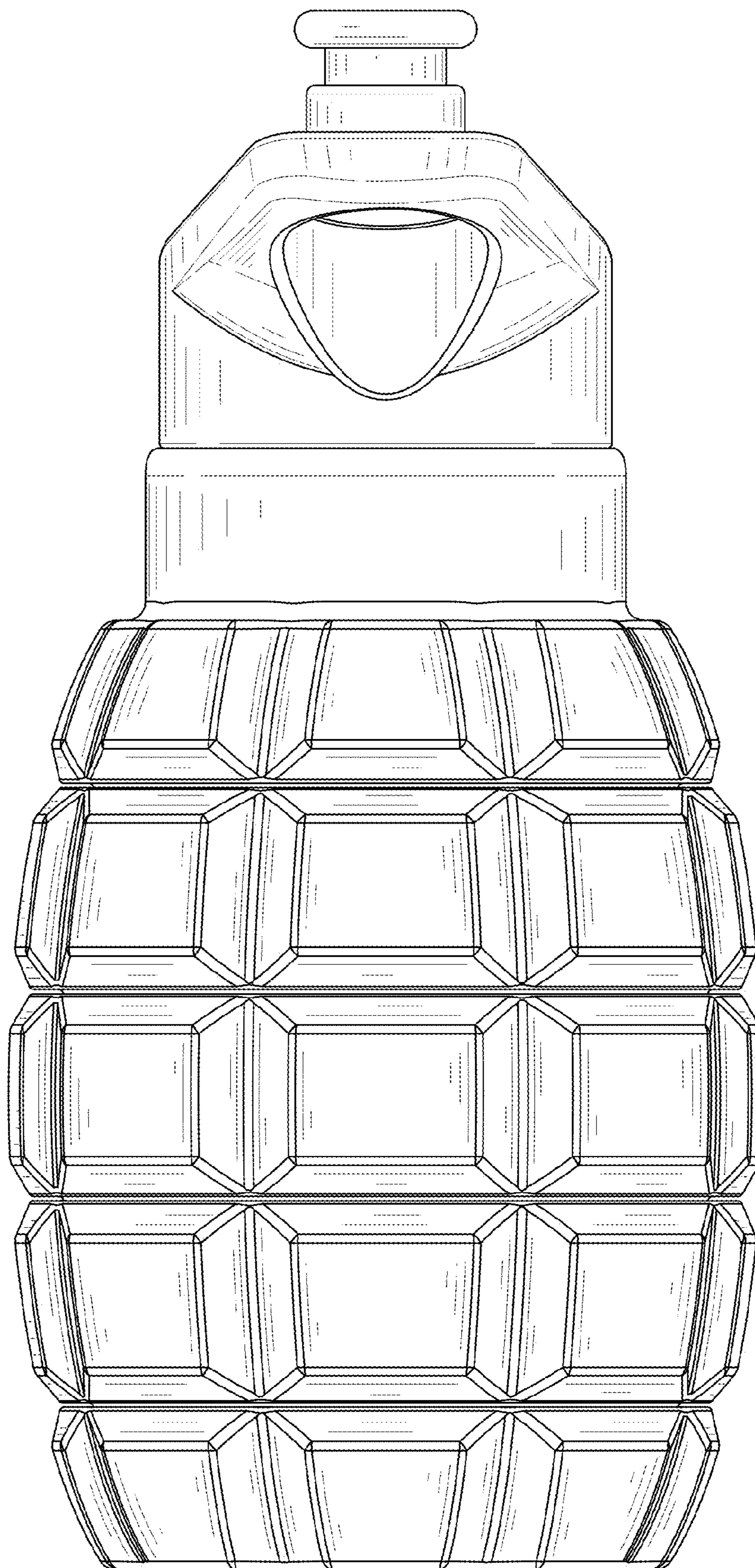


FIG. 5

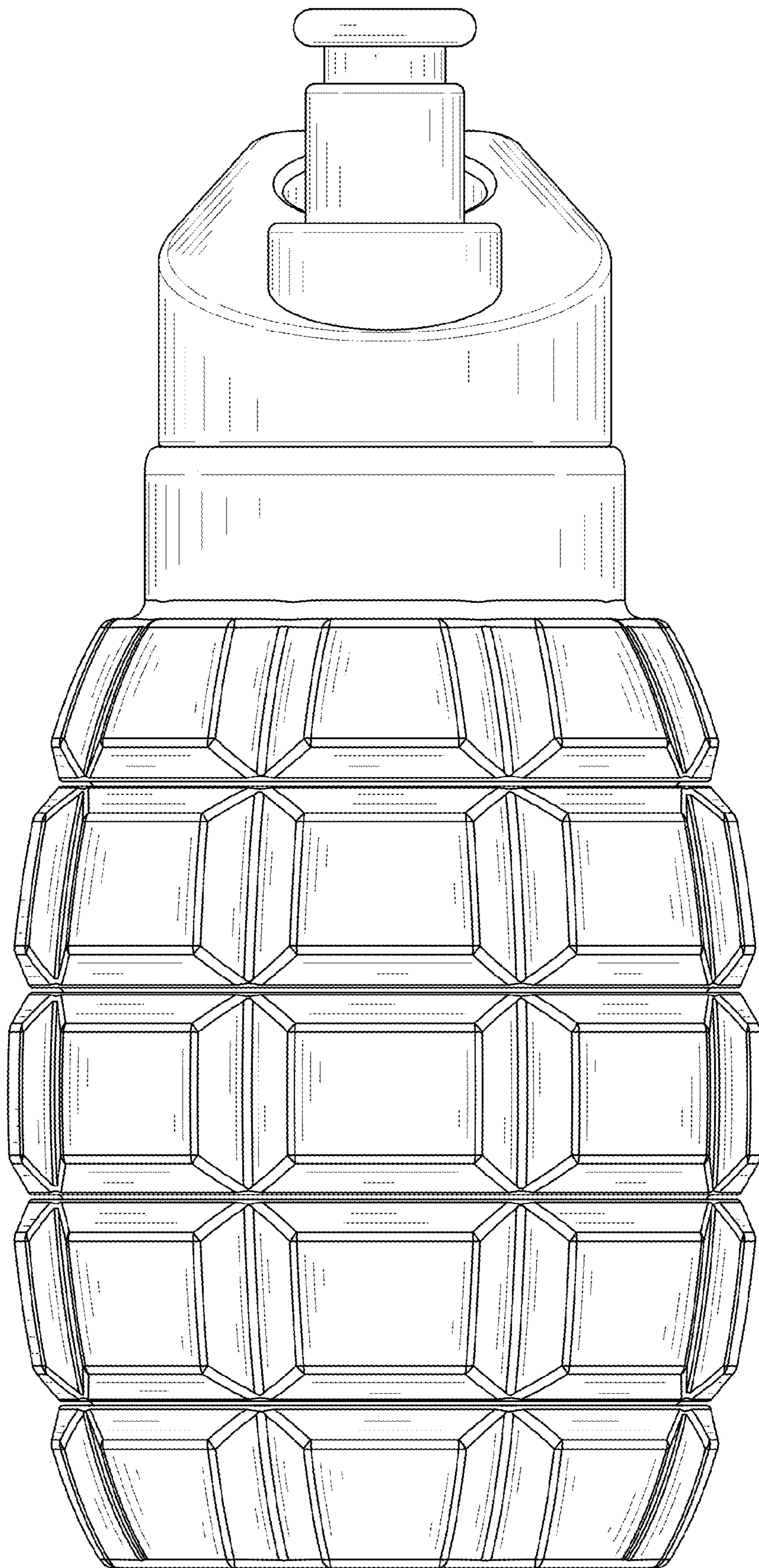


FIG. 6



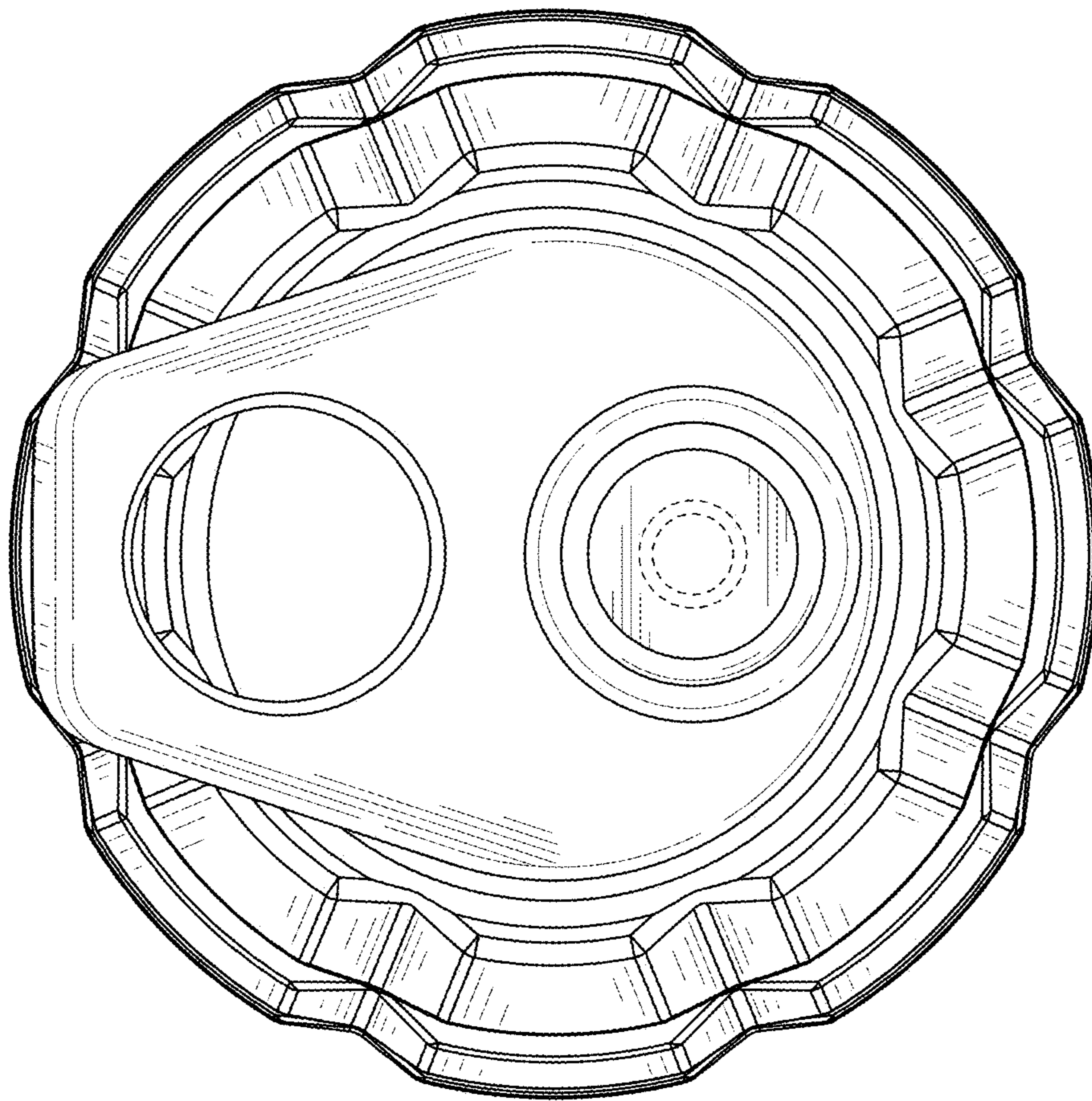


FIG. 7

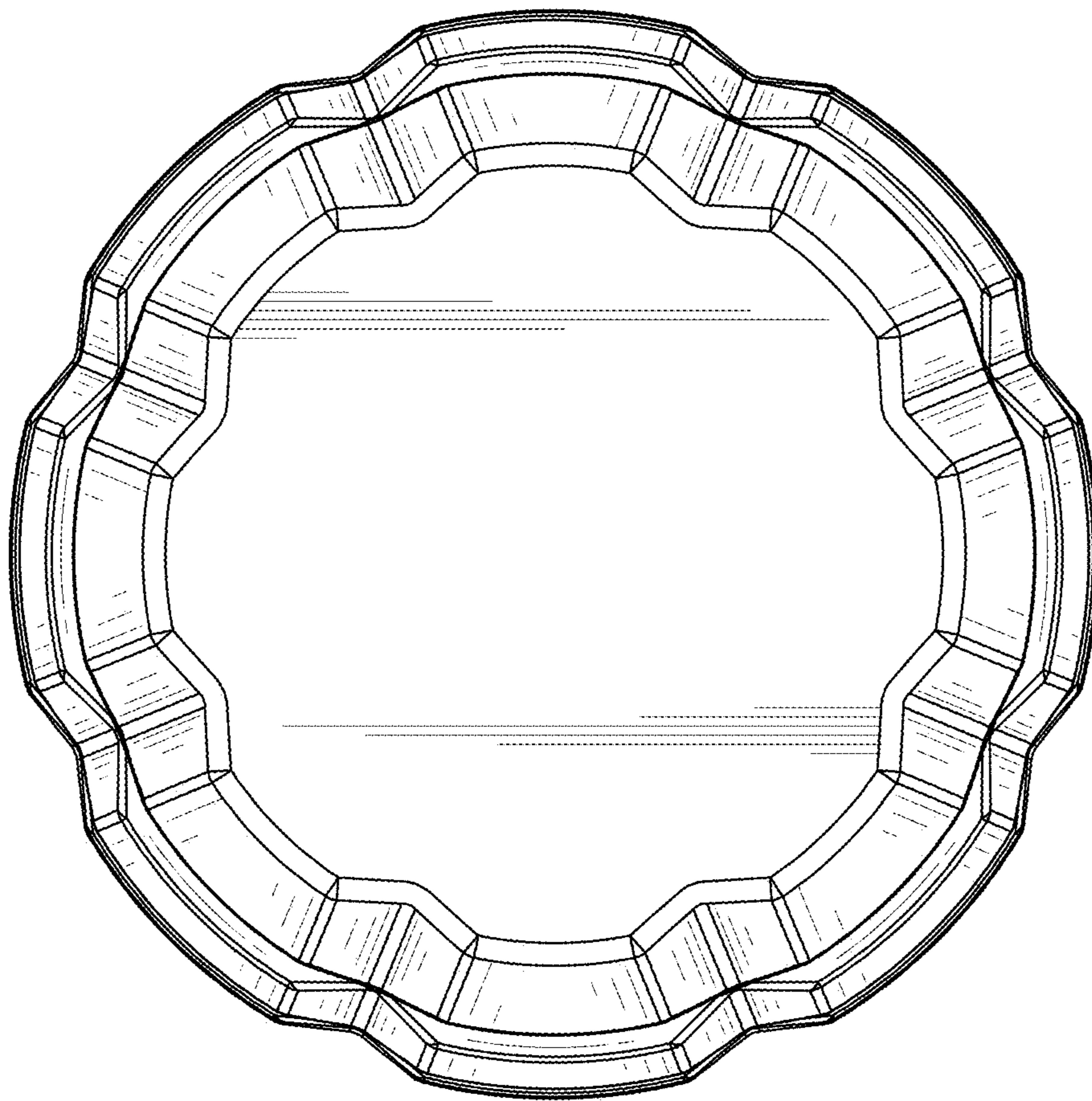


FIG. 8

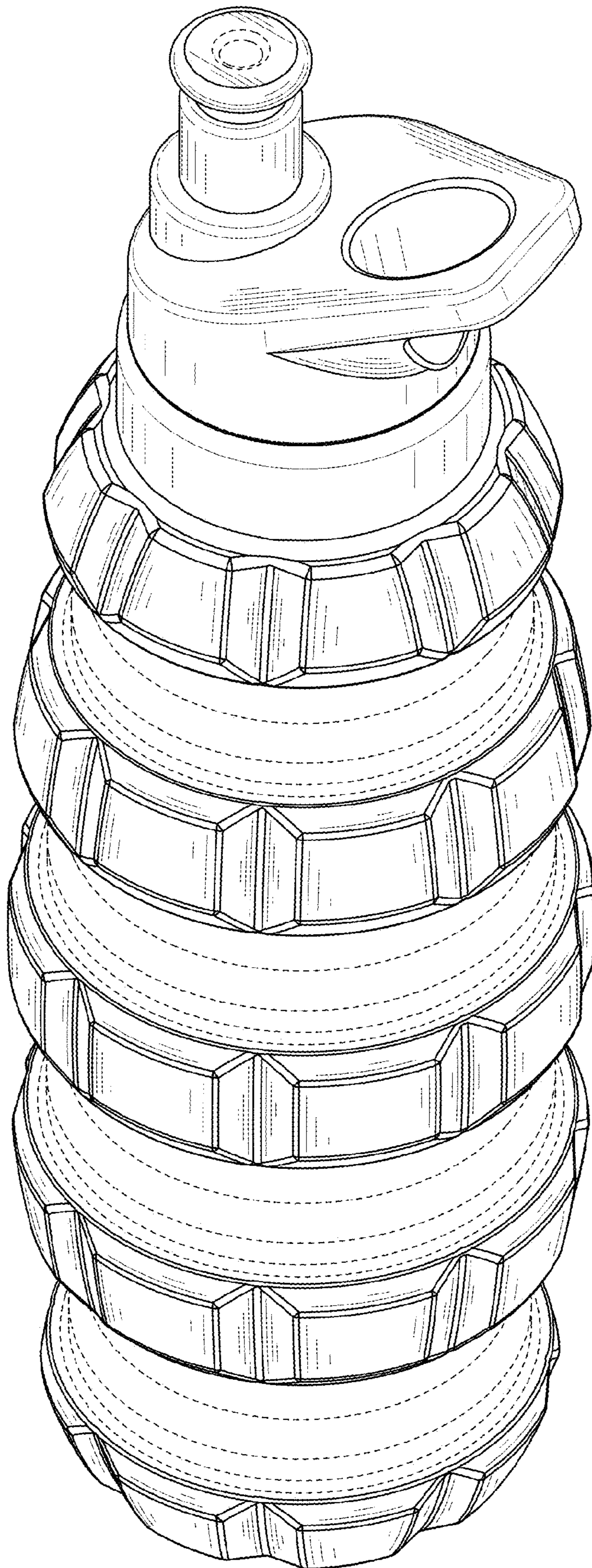


FIG. 9