



US00D932244S

(12) **United States Design Patent** (10) **Patent No.:** **US D932,244 S**  
**Munoz Rivas et al.** (45) **Date of Patent:** **\*\* Oct. 5, 2021**

(54) **FOLDABLE HOLDER FOR EDIBLE OBJECTS**

(71) Applicants: **Axel F. Munoz Rivas**, Carnegie (AU);  
**Nicole S. Guzman Parada**, Carnegie (AU)

(72) Inventors: **Axel F. Munoz Rivas**, Carnegie (AU);  
**Nicole S. Guzman Parada**, Carnegie (AU)

(\*\*) Term: **15 Years**

(21) Appl. No.: **29/712,833**

(22) Filed: **Nov. 12, 2019**

(56) **References Cited**

U.S. PATENT DOCUMENTS

D267,143	S	*	12/1982	Gessing	.....	D7/411
4,671,404	A	*	6/1987	Wall	.....	A47G 21/001 206/45.24
D309,084	S	*	7/1990	Alsup	.....	D7/504
D334,867	S	*	4/1993	May	.....	D7/504
D336,014	S	*	6/1993	Castro	.....	D7/504
D343,764	S	*	2/1994	Baroud	.....	D1/105
D350,671	S	*	9/1994	Asner	.....	A21C 9/00 D7/504
5,884,783	A	*	3/1999	Proulx	.....	B65D 5/5293 211/85.4
6,273,278	B1	*	8/2001	Enyedy	.....	A47F 7/0028 211/73
D485,466	S	*	1/2004	Haruhiro	.....	D6/553
D524,112	S	*	7/2006	Cogley	.....	D1/105
D644,877	S	*	9/2011	Hester	.....	D7/504
D669,312	S	*	10/2012	Thorpe	.....	A47J 47/16 D7/601

(Continued)

(30) **Foreign Application Priority Data**

May 13, 2019 (AU) ..... 201912572

(51) **LOC (13) Cl.** ..... **07-01**

(52) **U.S. Cl.**

USPC ..... **D7/504**

(58) **Field of Classification Search**

USPC ..... D7/368, 381, 387, 389, 500, 502, 504,  
D7/669, 670, 672-677, 679, 693, 388,  
D7/505, 601, 602; D1/105, 122; D9/761  
CPC .... A21C 11/106; A47G 19/265; A47G 19/30;  
A47G 2019/306; A47G 2021/002; A47G  
21/001; A47G 21/004; A47G 21/005;  
A47G 19/03; A47J 9/00; A47J 17/00;  
A47J 17/02; A47J 17/04; A47J 17/10;  
A47J 43/20; A47J 47/00; A47J 47/14;  
A47J 47/16; B26B 5/008; B26D 3/11;  
B26D 3/18; B26D 3/185; B26D 3/26;  
B26D 3/28; B26D 3/283; B26D  
2003/285-288; B26D 2210/02; B26D  
2210/04; B26F 1/40; B26F 1/44; B65D  
5/18; B65D 75/14

See application file for complete search history.

*Primary Examiner* — Mary Ann Calabrese

*Assistant Examiner* — Natalya M Rapundalo

(74) *Attorney, Agent, or Firm* — Lucas & Mercanti, LLP

(57) **CLAIM**

The ornamental design for a foldable holder for edible objects, as shown and described.

**DESCRIPTION**

FIG. 1 is a perspective view of a foldable holder for edible objects in an assembled configuration;  
FIG. 2 is a plan view thereof;  
FIG. 3 is a front view thereof, the back view being the mirror image;  
FIG. 4 is a side view thereof;  
FIG. 5 is a plan view thereof, in a flattened configuration;  
and,

(Continued)

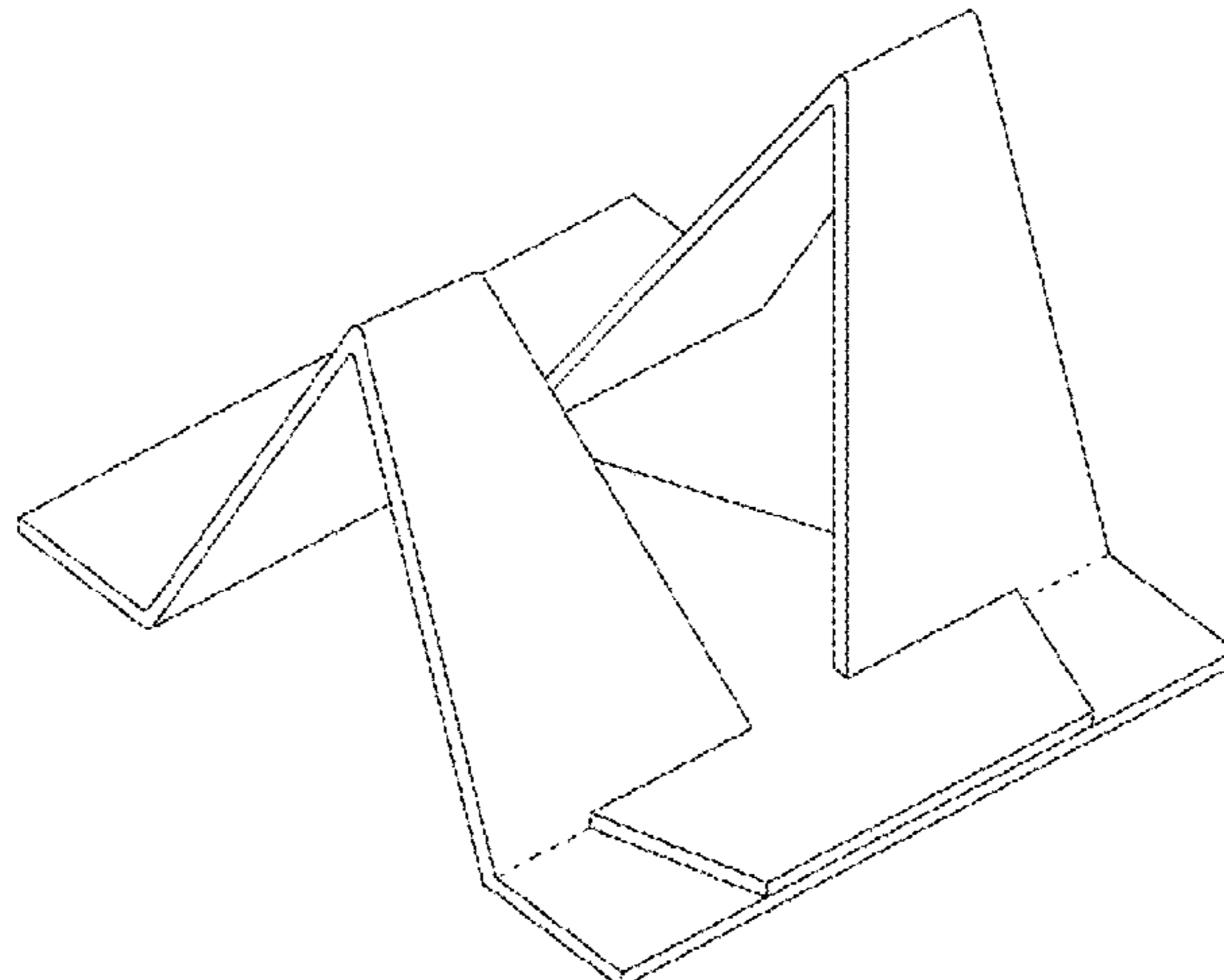


FIG. 6 is a front view thereof in a flattened configuration, the back view being the mirror image.  
The broken lines indicate folding lines.

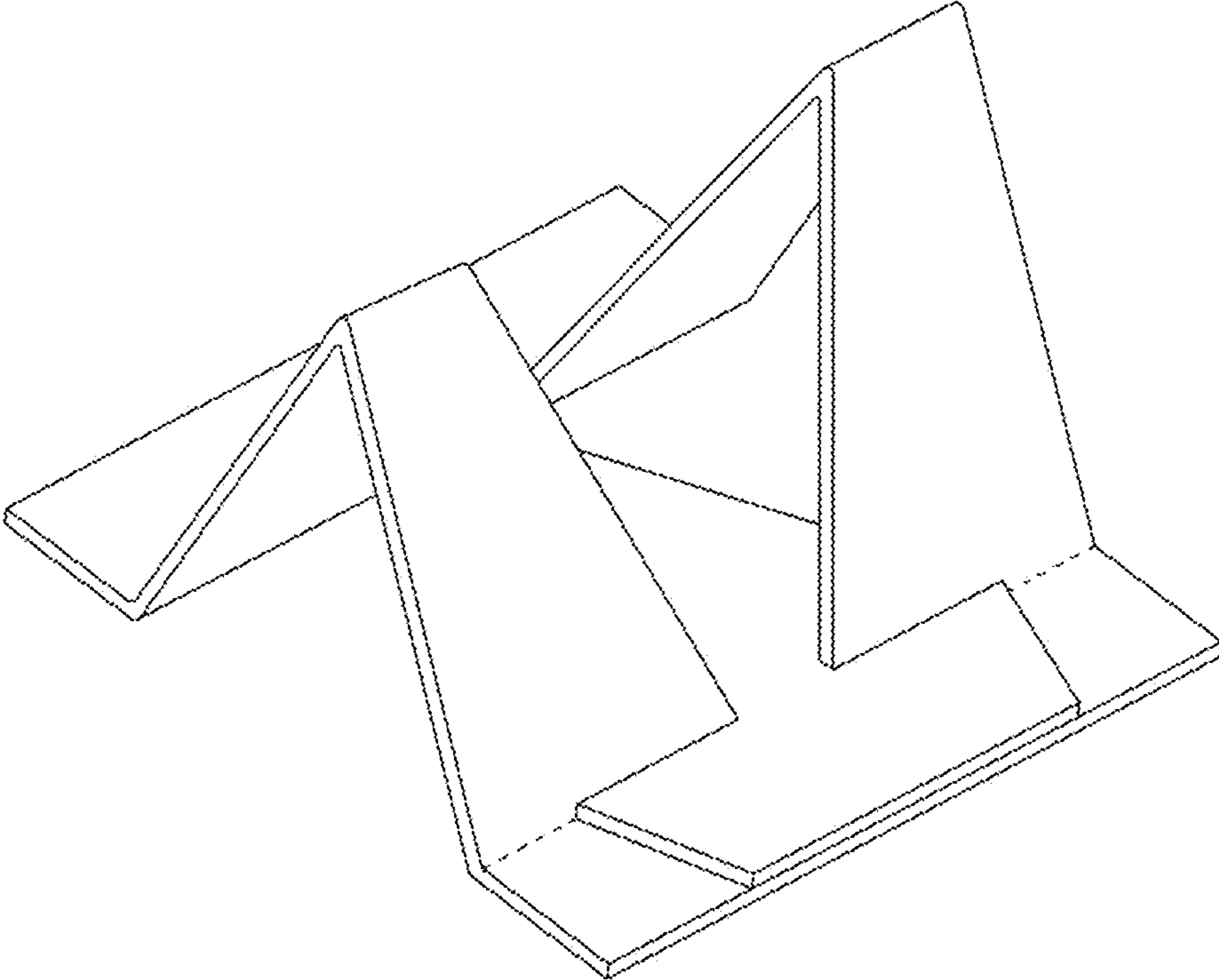
**1 Claim, 6 Drawing Sheets**

(56) **References Cited**

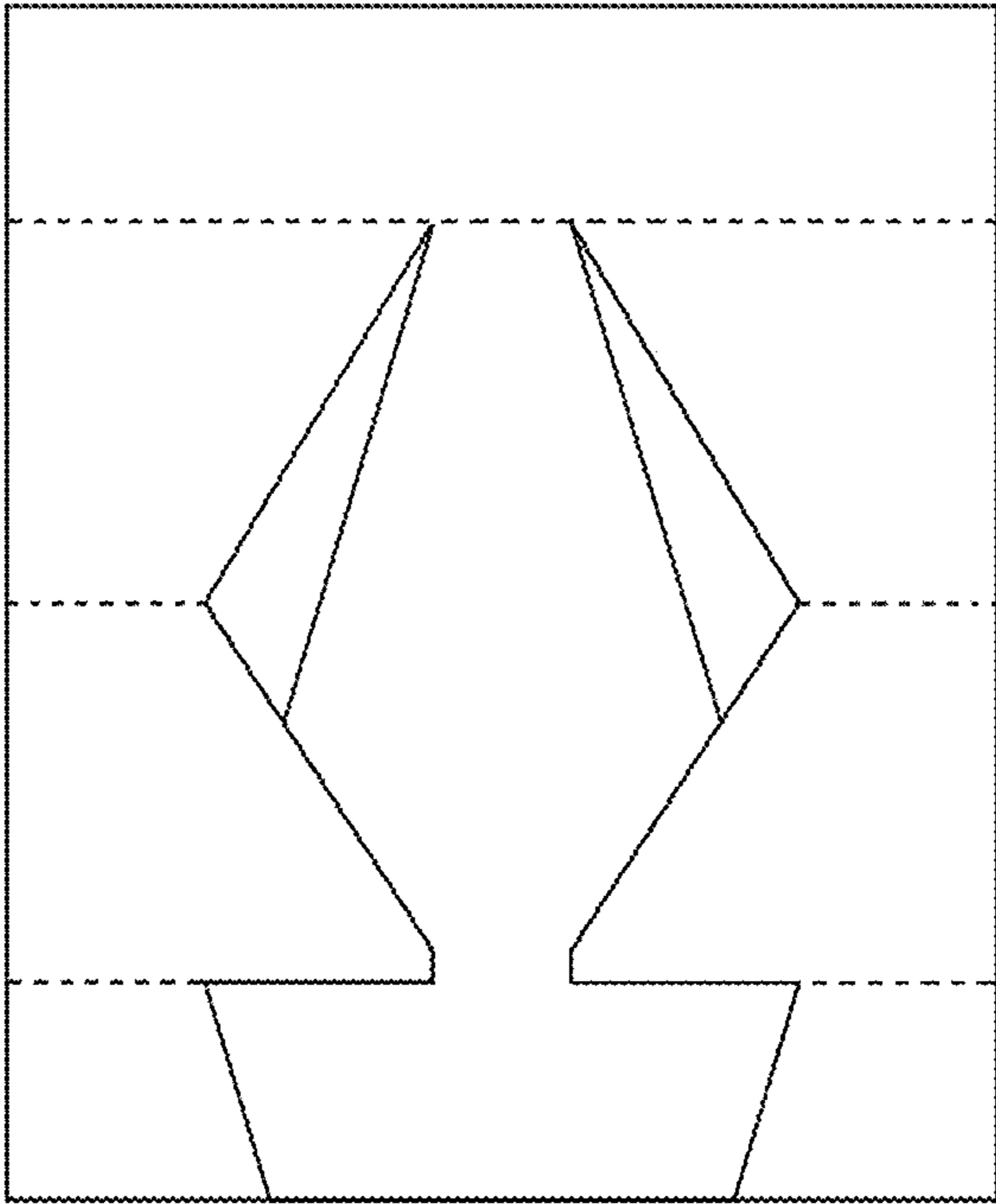
U.S. PATENT DOCUMENTS

D741,654 S *	10/2015	Webb .....	D7/504
D779,271 S *	2/2017	Simon .....	D7/504
D818,316 S *	5/2018	Disraeli .....	D7/504
D889,909 S *	7/2020	Chapman .....	D7/504
D892,553 S *	8/2020	Summers .....	A47G 21/001
			D7/504
D900,549 S *	11/2020	Chapman .....	B65D 5/5293
			D7/504
D901,235 S *	11/2020	Day-Swallow .....	A47G 23/06
			D7/388
D904,136 S *	12/2020	Kunes .....	A21C 9/00
			D7/672
D908,437 S *	1/2021	Alanis .....	D7/587
2017/0295974 A1 *	10/2017	Lai .....	A47G 23/06

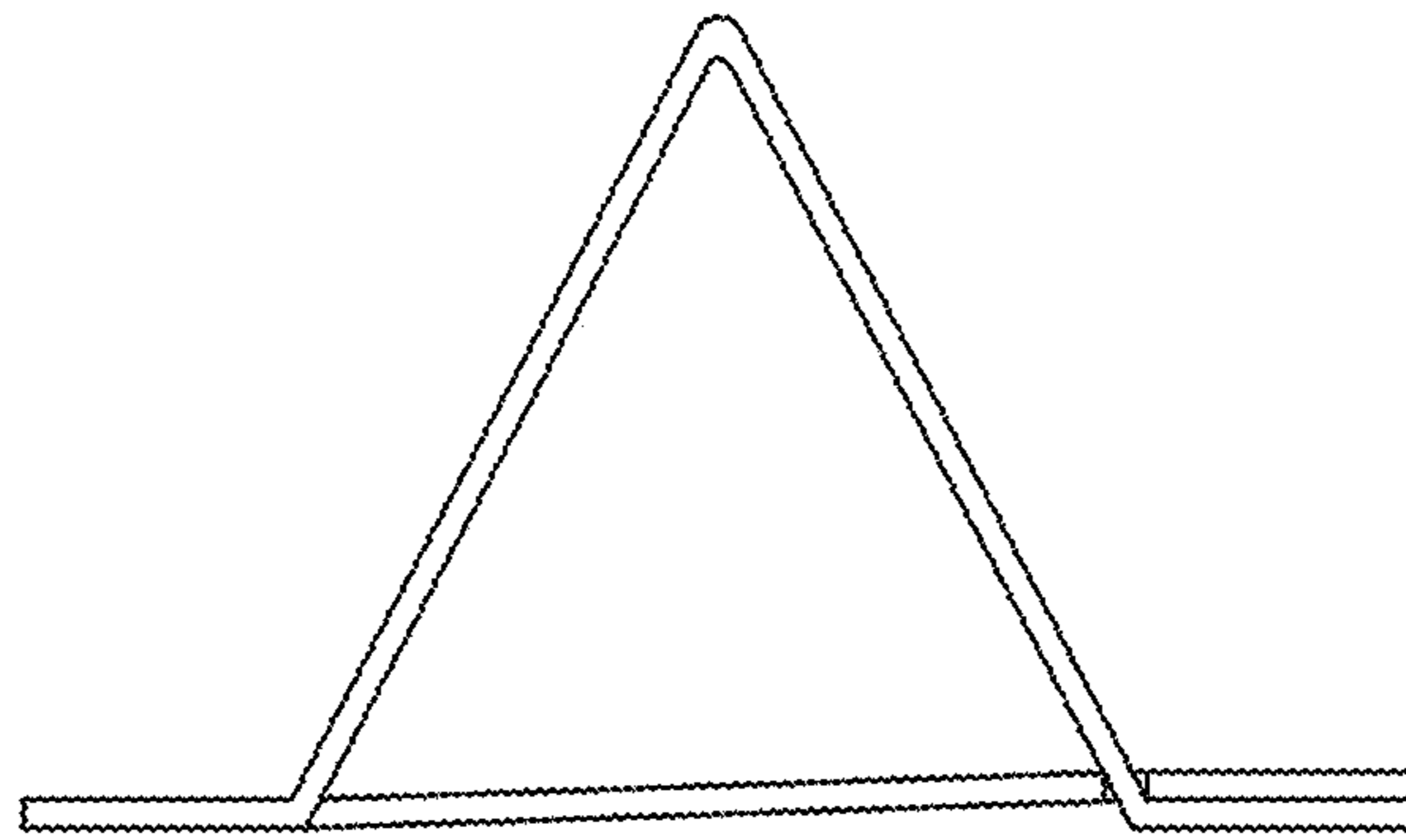
\* cited by examiner



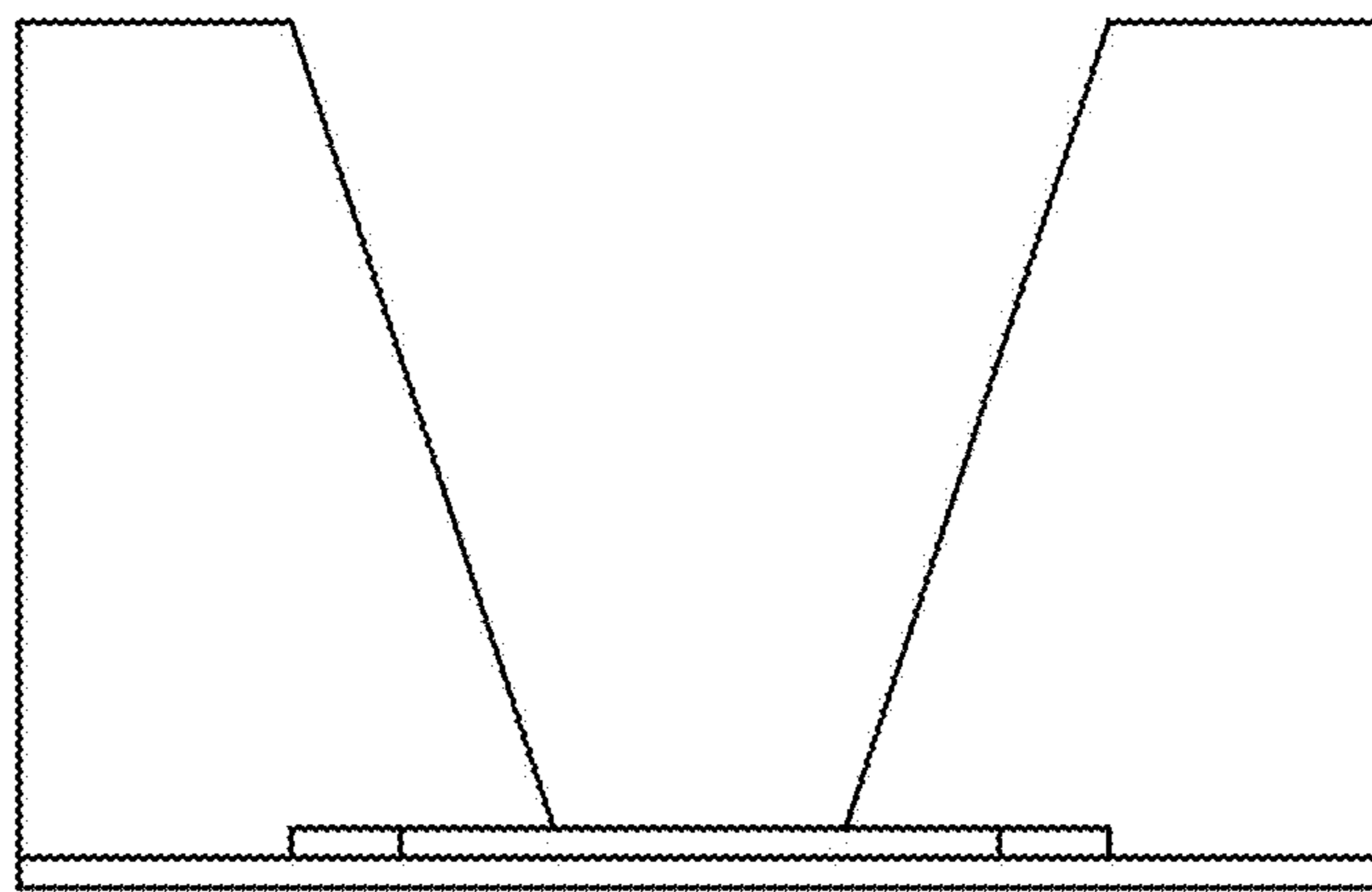
**FIG. 1**



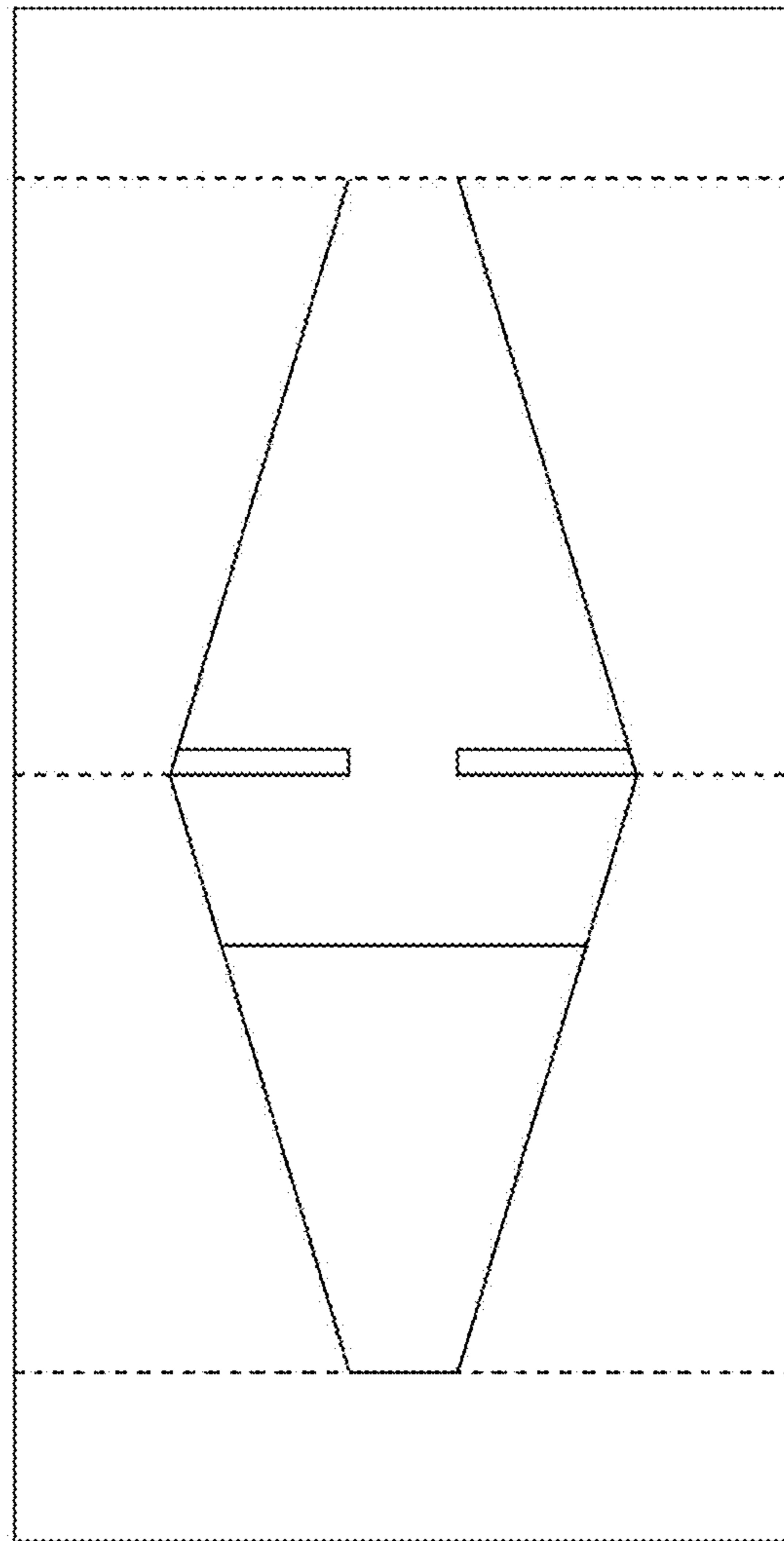
**FIG. 2**



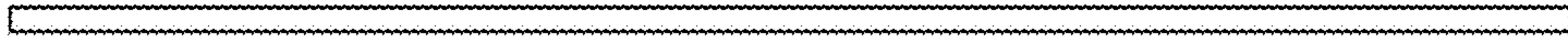
**FIG. 3**



**FIG. 4**



**FIG. 5**



**FIG. 6**