

US00D932243S

(12) **United States Design Patent** (10) **Patent No.:** **US D932,243 S**  
**Wu** (45) **Date of Patent:** **\*\* Oct. 5, 2021**

- (54) **COMBUSTION DEVICE**
- (71) Applicant: **Pro-Iroda Industries, Inc.**, Taichung (TW)
- (72) Inventor: **Wei Cheng Wu**, Taichung (TW)
- (73) Assignee: **Pro-Iroda Industries, Inc.**, Taichung (TW)
- (\*\*) Term: **15 Years**
- (21) Appl. No.: **29/730,517**
- (22) Filed: **Apr. 6, 2020**
- (51) **LOC (13) Cl.** ..... **07-99**
- (52) **U.S. Cl.**  
USPC ..... **D7/417; D7/332; D7/337**
- (58) **Field of Classification Search**  
USPC ..... D7/409, 412, 417, 350, 332, 337, 348;  
D8/20, 70, 95, 98, 99; D15/126, 133,  
D15/138, 139, 140; D26/92, 94, 108,  
D26/112; D13/107, 112, 114, 115, 116,  
D13/122, 145, 158, 177; D23/332, 343,  
D23/348  
CPC .. F23B 7/00; F23C 99/001; F23G 5/00; F23G  
2202/701  
See application file for complete search history.

(56) **References Cited**  
U.S. PATENT DOCUMENTS

D246,151 S *	10/1977	Chan	.....	D7/337
D258,713 S *	3/1981	Harper	.....	D23/420
D273,264 S *	4/1984	Elliston	.....	D7/332
D379,900 S *	6/1997	Gillam	.....	D7/332
D422,452 S *	4/2000	Persson	.....	D7/332
D442,422 S *	5/2001	Dabney	.....	D11/152
D445,296 S *	7/2001	Kenyon	.....	D7/332
D488,023 S *	4/2004	Siegel	.....	D7/337
D567,012 S *	4/2008	DeMars	.....	D7/337

D570,642 S *	6/2008	Svartstrom	.....	D7/337
D612,191 S *	3/2010	Taber	.....	D7/337
D612,662 S *	3/2010	Lorenz	.....	D7/337
D698,990 S *	2/2014	Chen	.....	D26/128
D701,721 S *	4/2014	Jan	.....	D7/332
D718,570 S *	12/2014	Chiang	.....	D7/337
D730,104 S *	5/2015	Stredney	.....	D7/337
D762,409 S *	8/2016	Fisher	.....	D7/337
D777,667 S *	1/2017	Cedar	.....	D13/112
9,726,368 B2 *	8/2017	Chen	.....	F23D 3/04
D798,099 S *	9/2017	Goossens	.....	D7/332
D807,103 S *	1/2018	Lorenz	.....	D7/332
D832,022 S *	10/2018	Russier	.....	D7/332
D896,017 S *	9/2020	Sebastiampillai	.....	D7/332
10,808,926 B2 *	10/2020	Chen	.....	F23D 14/84
D909,549 S *	2/2021	Wu	.....	D23/336
2020/0338224 A1 *	10/2020	Wu	.....	A61L 9/037

\* cited by examiner

*Primary Examiner* — Michael C Stout  
*Assistant Examiner* — Fritzgerald L Butac  
(74) *Attorney, Agent, or Firm* — Karin L. Williams; Alan D. Kamrath; Mayer & Williams PC

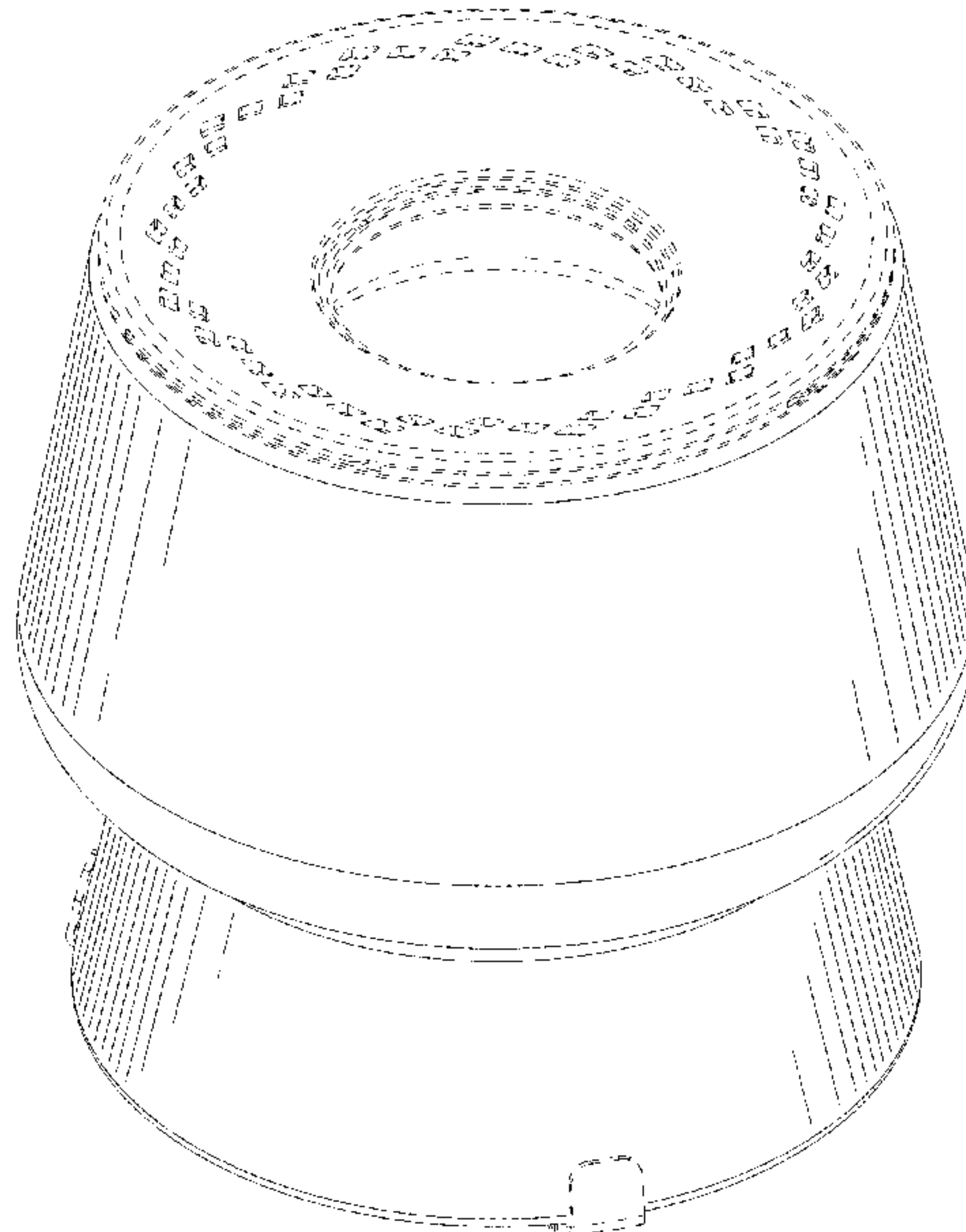
(57) **CLAIM**

The ornamental design for a combustion device, as shown and described.

**DESCRIPTION**

FIG. 1 is a perspective view of a combustion device showing my new design;  
FIG. 2 is a front view thereof;  
FIG. 3 is a rear view thereof;  
FIG. 4 is a left view thereof;  
FIG. 5 is a right view thereof;  
FIG. 6 is a top view thereof; and,  
FIG. 7 is a bottom view thereof.  
The broken lines depict portions of the combustion device in which the design is embodied that are not considered part of the claimed design.

**1 Claim, 7 Drawing Sheets**



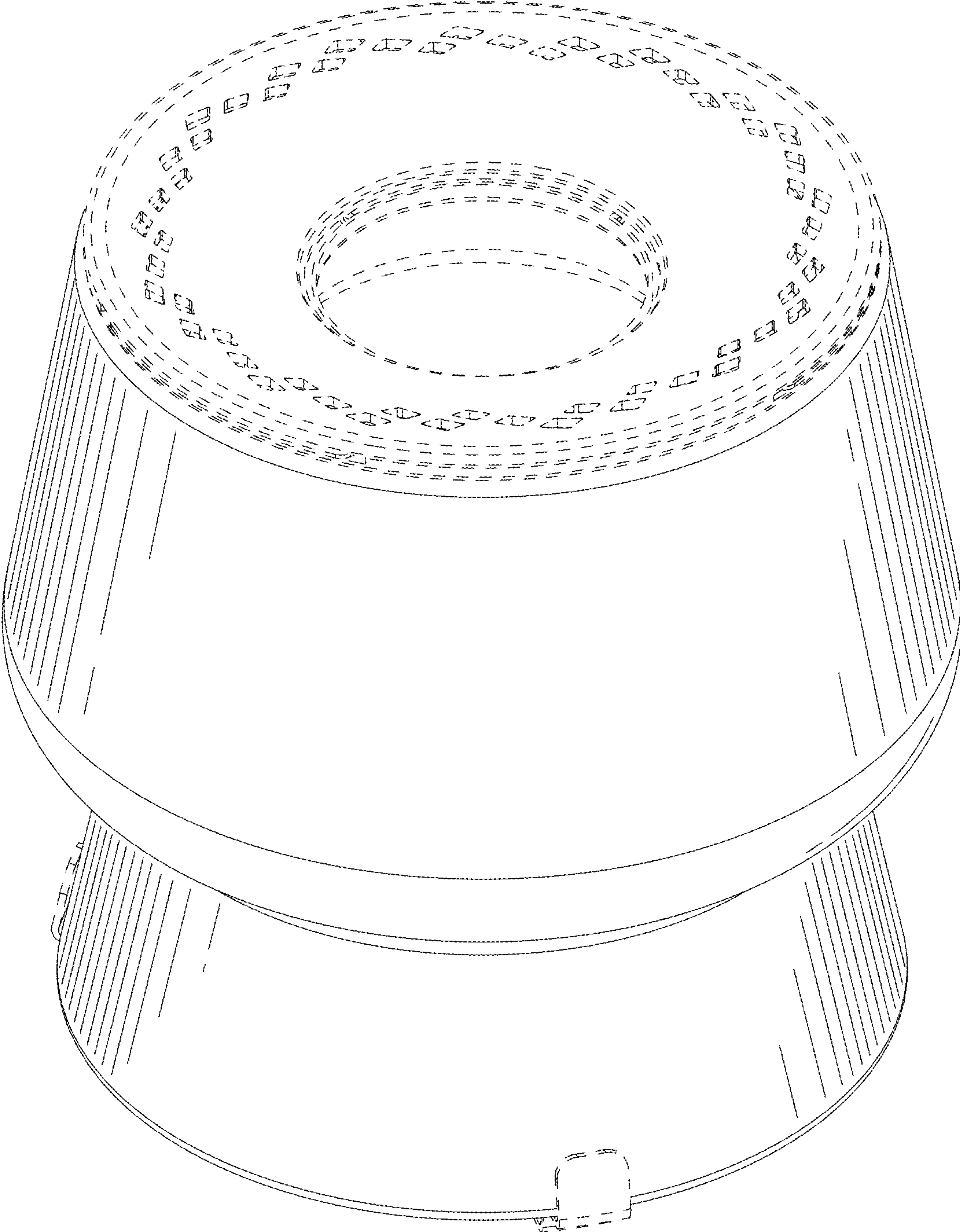


FIG. 1

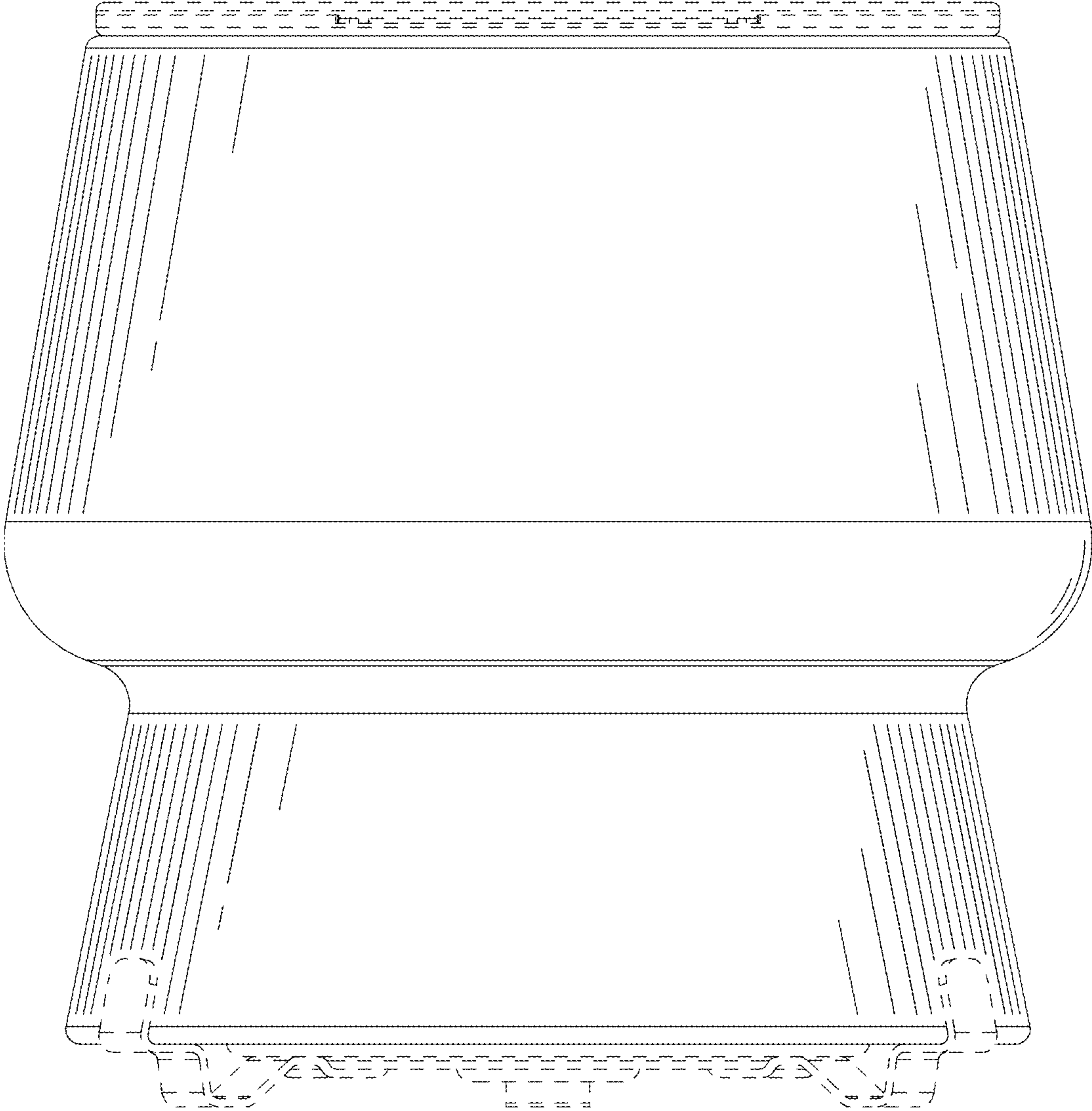


FIG. 2

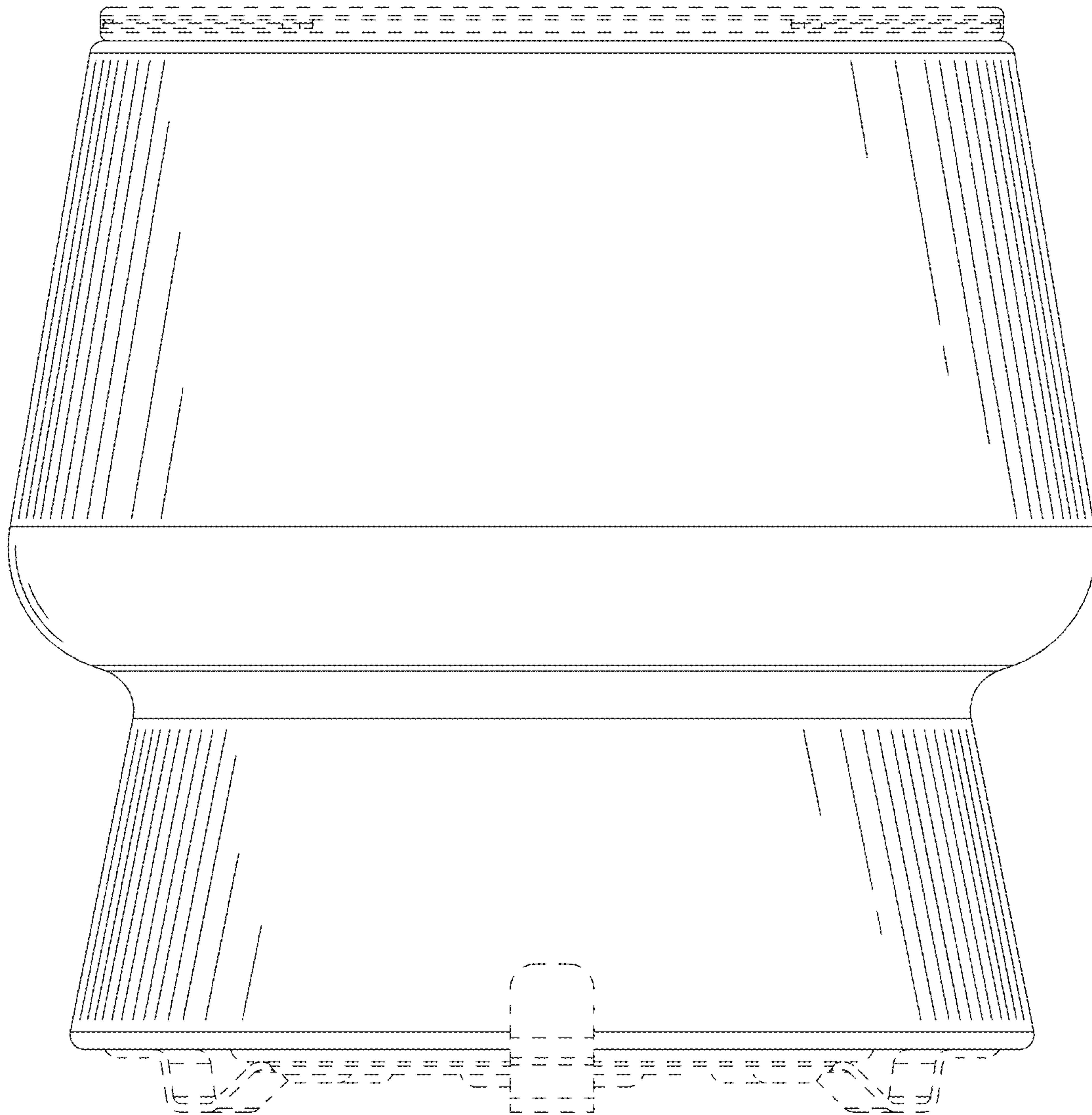


FIG. 3



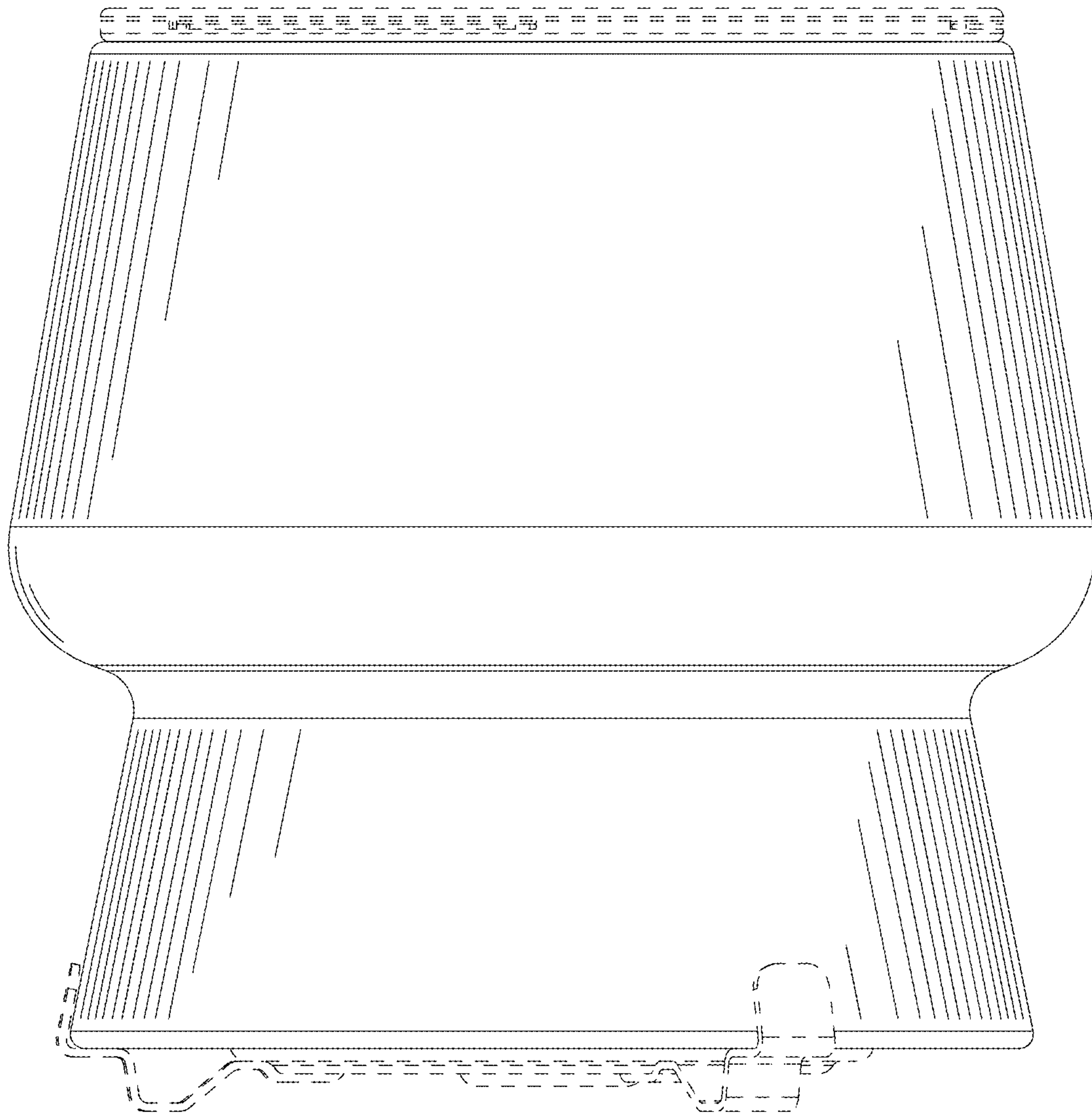


FIG. 4

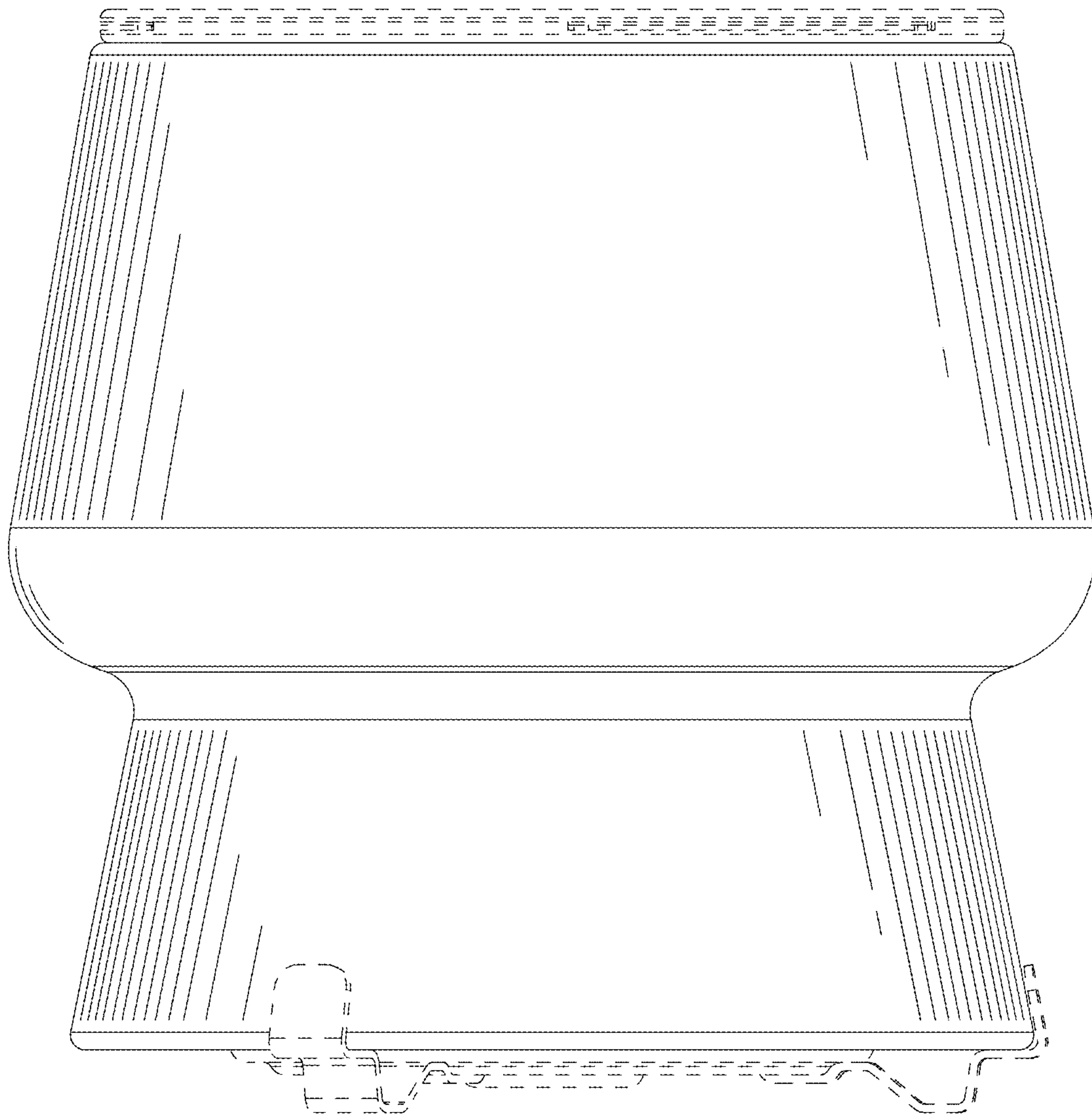


FIG. 5

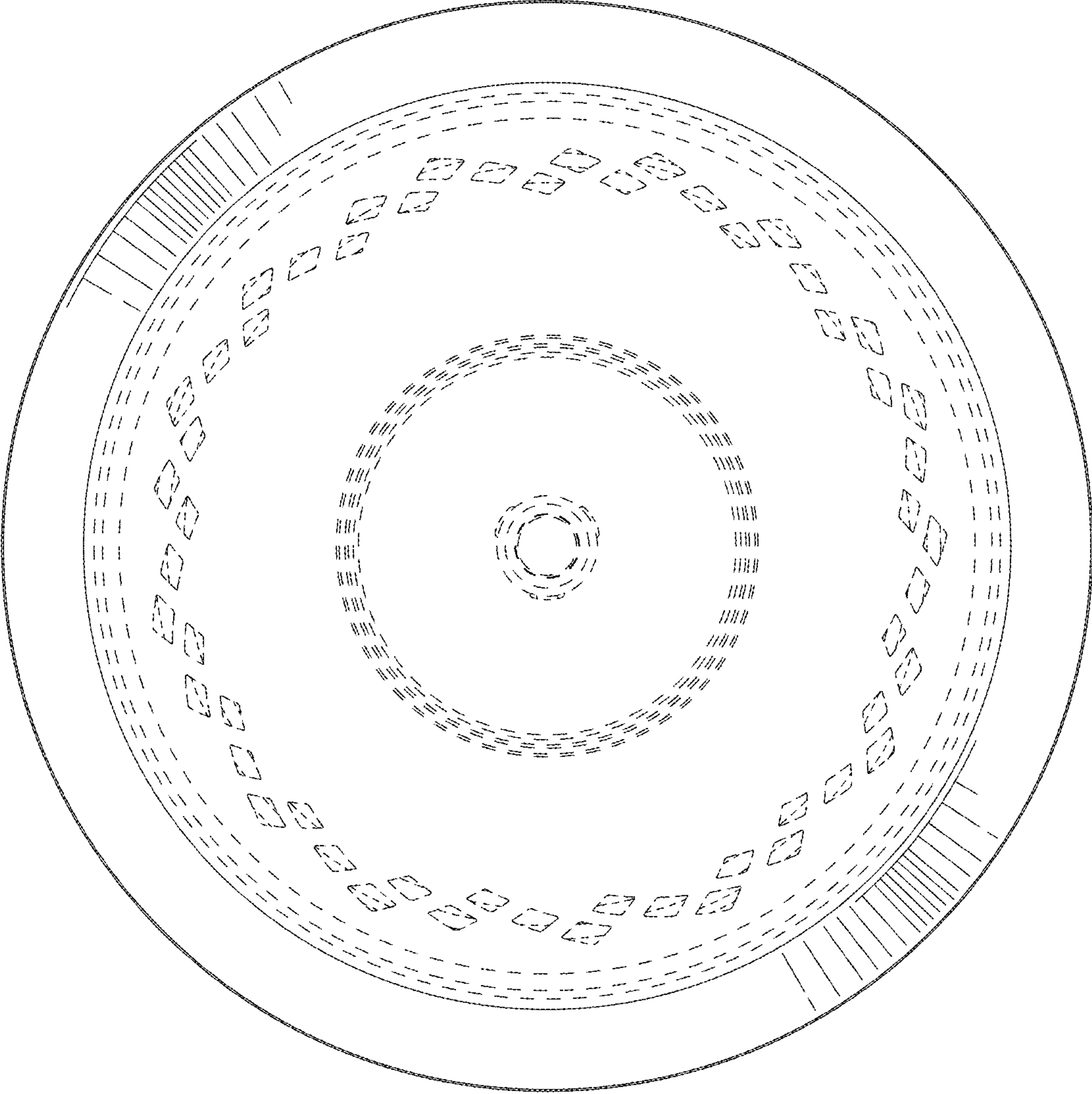


FIG. 6

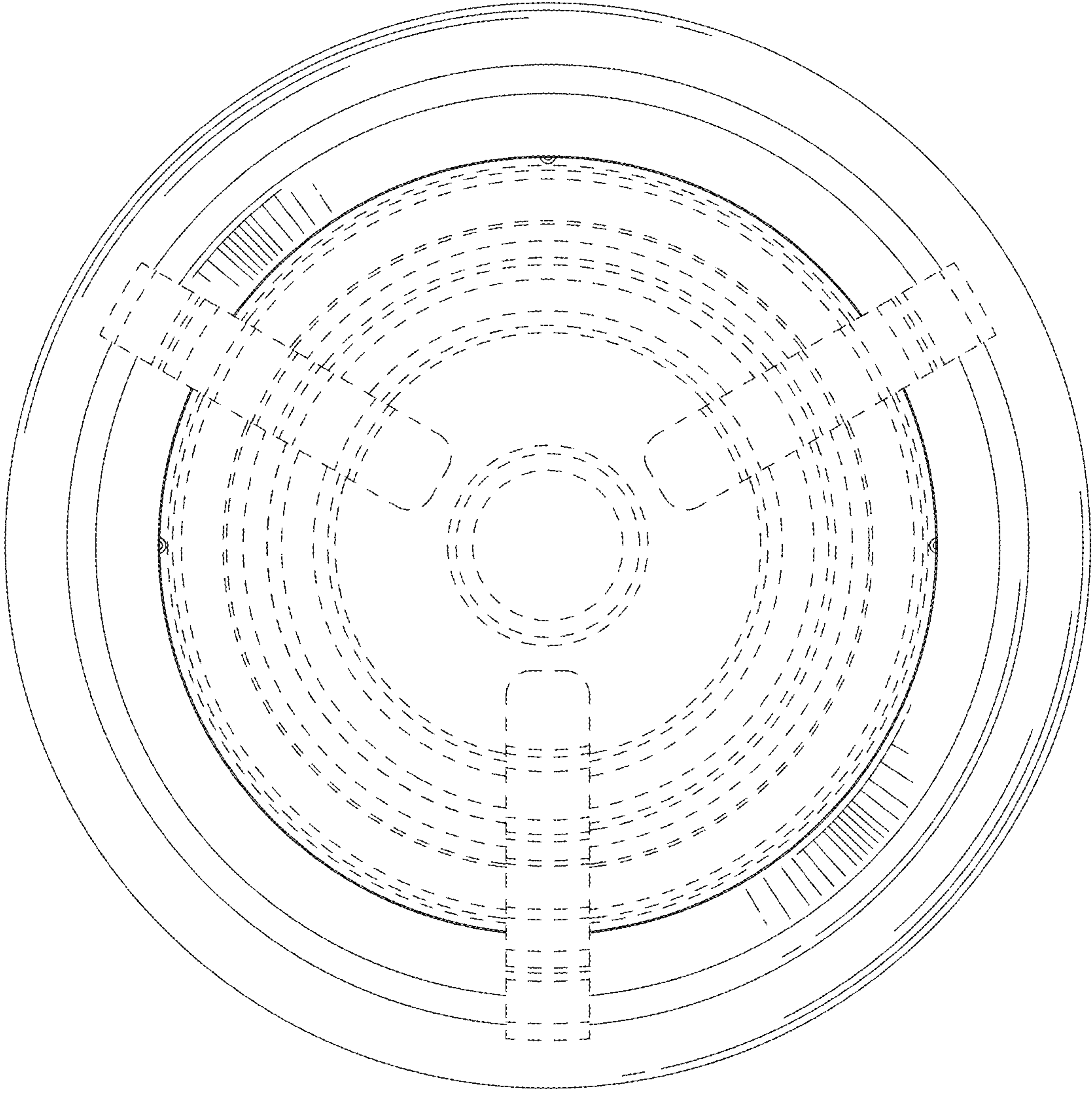


FIG. 7