



US00D932242S

(12) **United States Design Patent**  
**Finnance**

(10) **Patent No.:** **US D932,242 S**

(45) **Date of Patent:** **\*\* Oct. 5, 2021**

(54) **BLENDER CONTAINER**

(71) Applicant: **Capbran Holdings, LLC**, Los Angeles, CA (US)

(72) Inventor: **Robert Finnance**, Los Angeles, CA (US)

(73) Assignee: **Capbran Holdings, LLC**, Los Angeles, CA (US)

(\*\*) Term: **15 Years**

(21) Appl. No.: **29/743,931**

(22) Filed: **Jul. 24, 2020**

(51) **LOC (13) Cl.** ..... **31-00**

(52) **U.S. Cl.**  
USPC ..... **D7/413**; D7/376; D7/378; D7/412

(58) **Field of Classification Search**  
USPC ..... D7/372, 376-386, 412-413, 602, 629, D7/665-666, 669, 679, 693-694  
CPC .... A21C 1/02; A21C 1/04; A23N 1/00; A23N 1/02; A47J 43/04; A47J 43/25; A47J 43/27; A47J 43/042; A47J 43/044; A47J 43/046; A47J 43/075; A47J 43/0722; A47J 43/0727; B01F 3/00; B01F 3/0807; B01F 3/0853; B01F 13/0059; B01F 13/0064; B02C 1/08; B02C 2/04; B02C 4/42; B02C 4/142; B02C 4/143; B02C 4/423; B02C 13/1835; B28C 5/10; B28C 5/12; B28C 5/14; B28C 5/16  
See application file for complete search history.

(56) **References Cited**

**U.S. PATENT DOCUMENTS**

D501,756 S *	2/2005	Nikkhah	.....	D7/413
D518,994 S *	4/2006	Lin	.....	D7/378
D760,026 S *	6/2016	Smith	.....	D7/413
D782,866 S *	4/2017	Suess	.....	D7/378
D800,499 S *	10/2017	Repac	.....	D7/413
D832,641 S *	11/2018	Sapire	.....	D7/378

D846,337 S *	4/2019	Duan	.....	D7/378
D889,191 S *	7/2020	Finnance	.....	D7/378
D913,033 S *	3/2021	Jones	.....	D7/378
D921,418 S *	6/2021	Thun	.....	D7/378
D921,419 S *	6/2021	Yang	.....	D7/378
D925,981 S *	7/2021	McConnell	.....	D7/413
2019/0000275 A1 *	1/2019	Sapire	.....	A47J 43/046

\* cited by examiner

*Primary Examiner* — Ricky Pham

(74) *Attorney, Agent, or Firm* — Trojan Law Offices

(57) **CLAIM**

The ornamental design for a blender container, as shown and described.

**DESCRIPTION**

FIG. 1 is a top front perspective view of a blender container combined with a blender base (in dashed lines) and a blade holder, in accordance with an embodiment of the present invention;

FIG. 2 is a top perspective view of the combined blender container and blade holder of FIG. 1;

FIG. 3 is a bottom perspective view of the combined blender container and blade holder of FIG. 1;

FIG. 4 is a front view of the combined blender container and blade holder of FIG. 1;

FIG. 5 is a rear view of the combined blender container and blade holder of FIG. 1;

FIG. 6 is a left side view of the combined blender container and blade holder of FIG. 1;

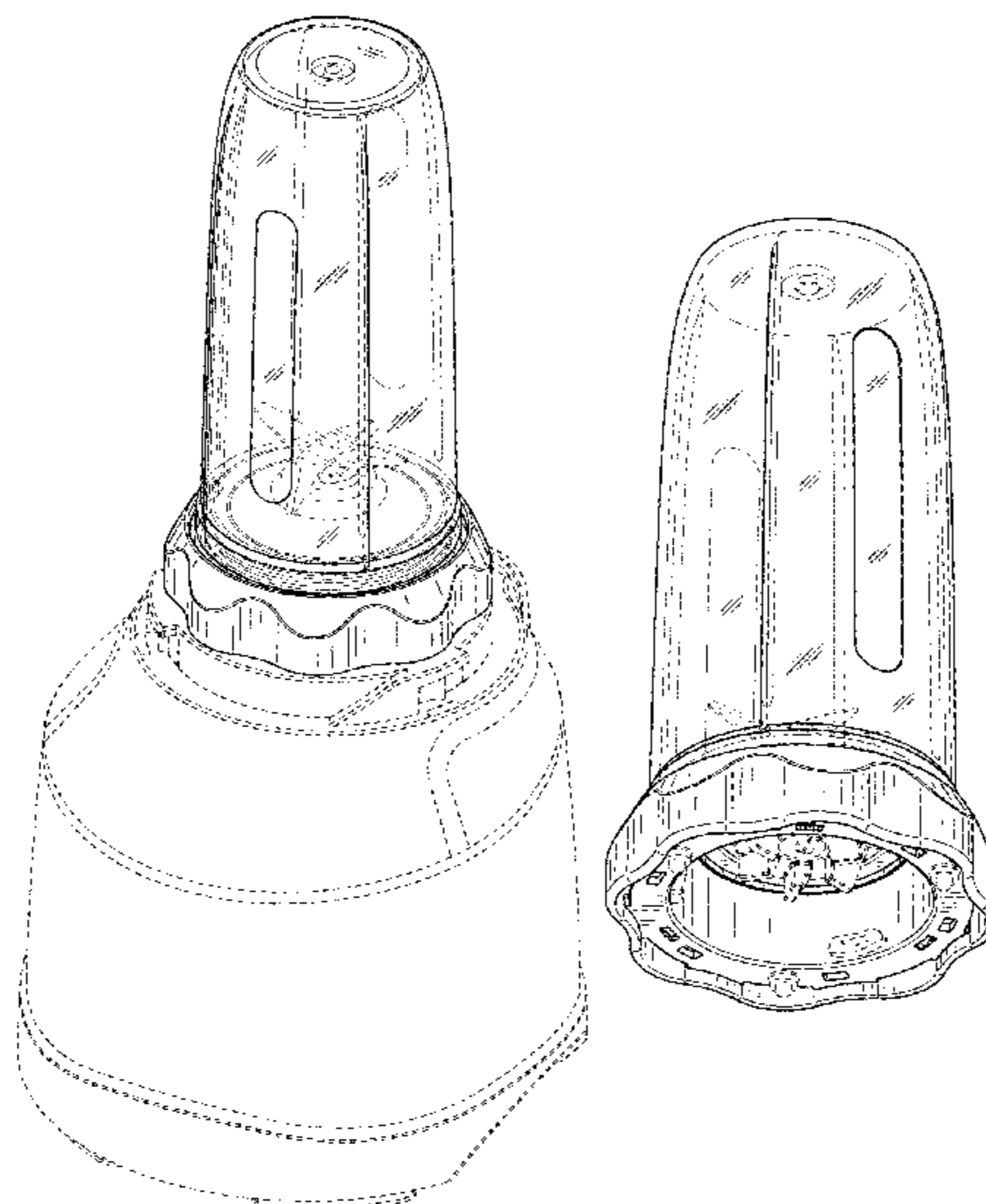
FIG. 7 is a right side view of the combined blender container and blade holder of FIG. 1;

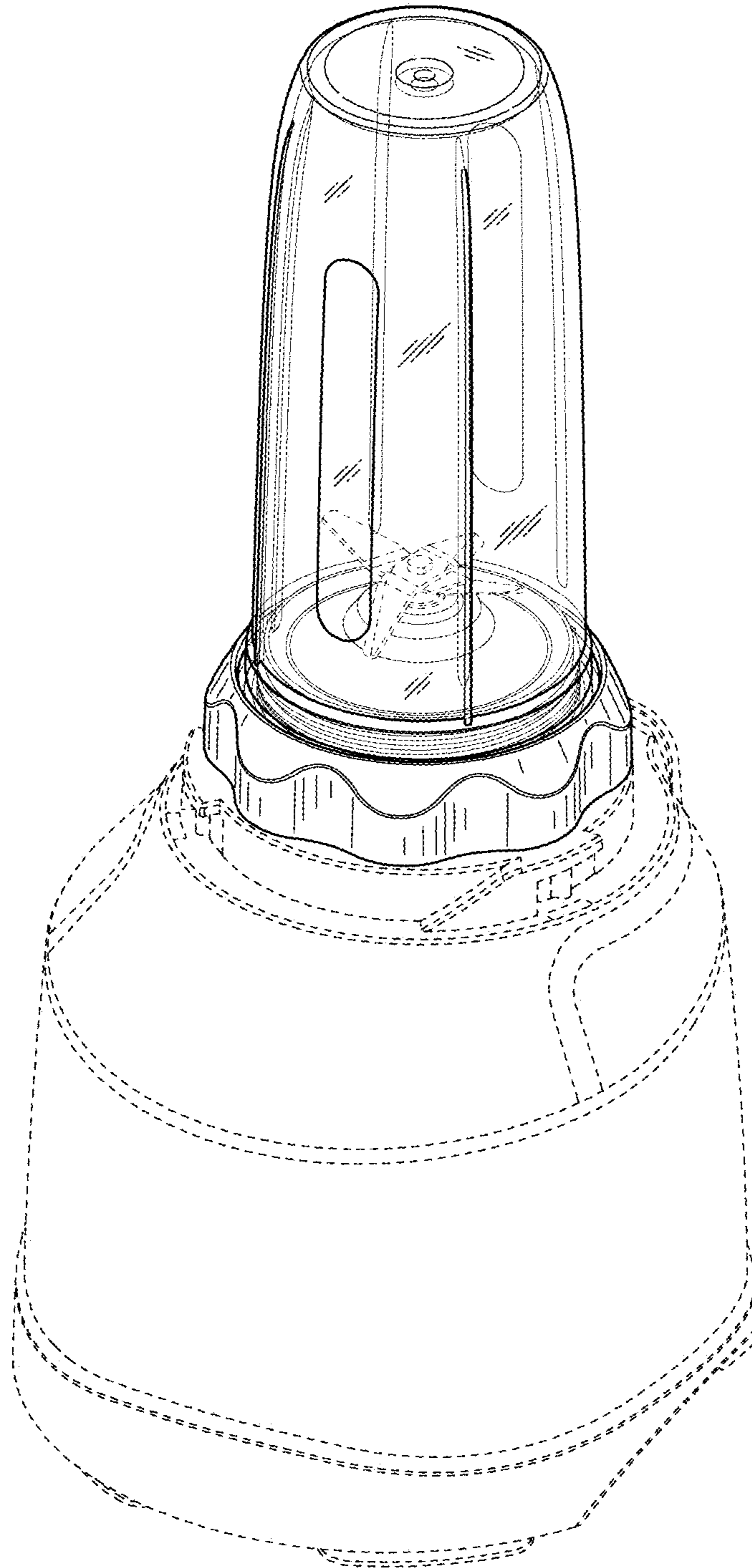
FIG. 8 is a top view of the combined blender container and blade holder of FIG. 1; and,

FIG. 9 is a bottom view of the combined blender container and blade holder of FIG. 1.

Any broken lines, shown throughout in the drawing figures, are included for the purpose of illustrating environmental structures and form no part of the claimed design.

**1 Claim, 5 Drawing Sheets**





*FIG. 1*

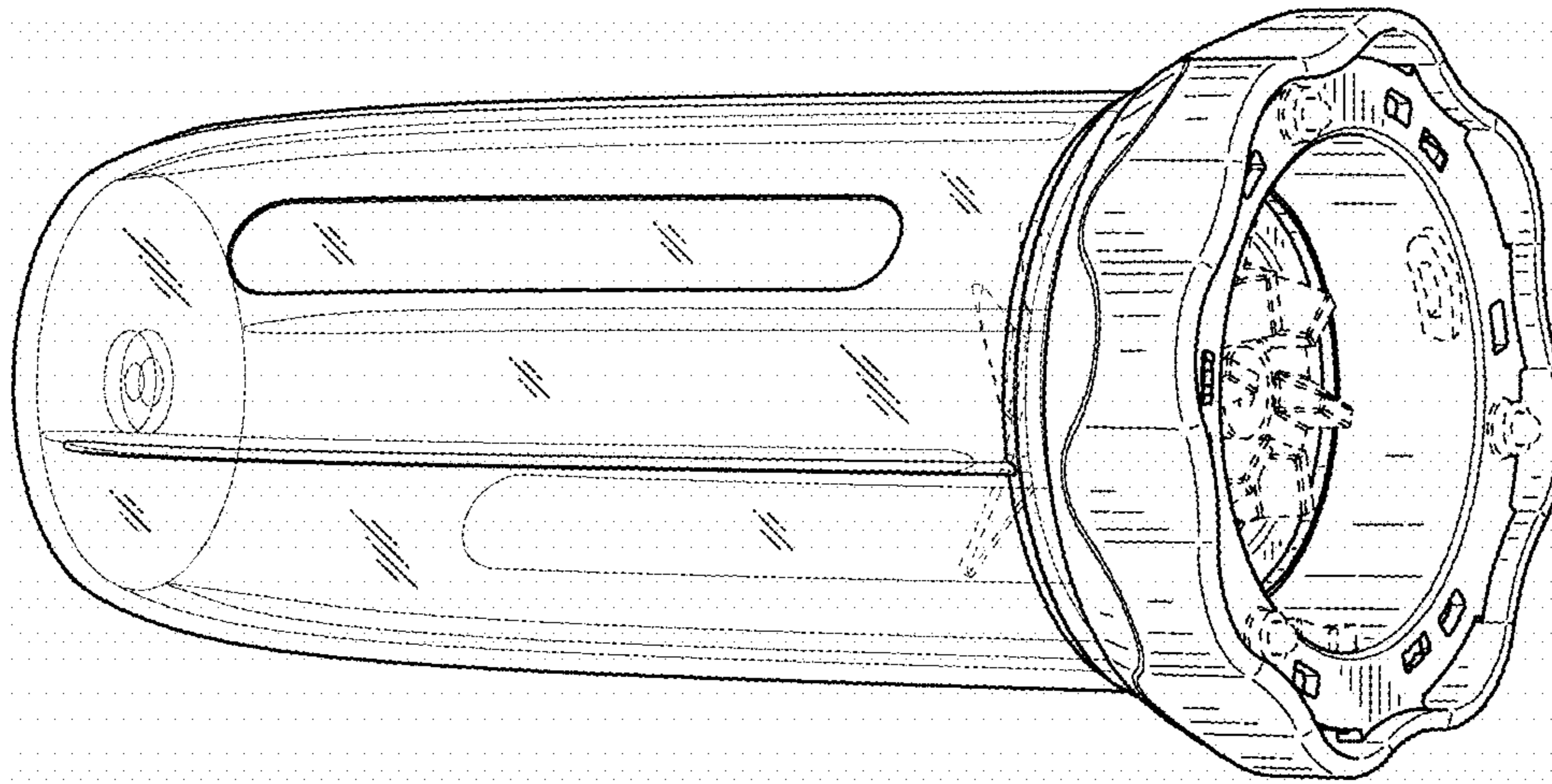


FIG. 3

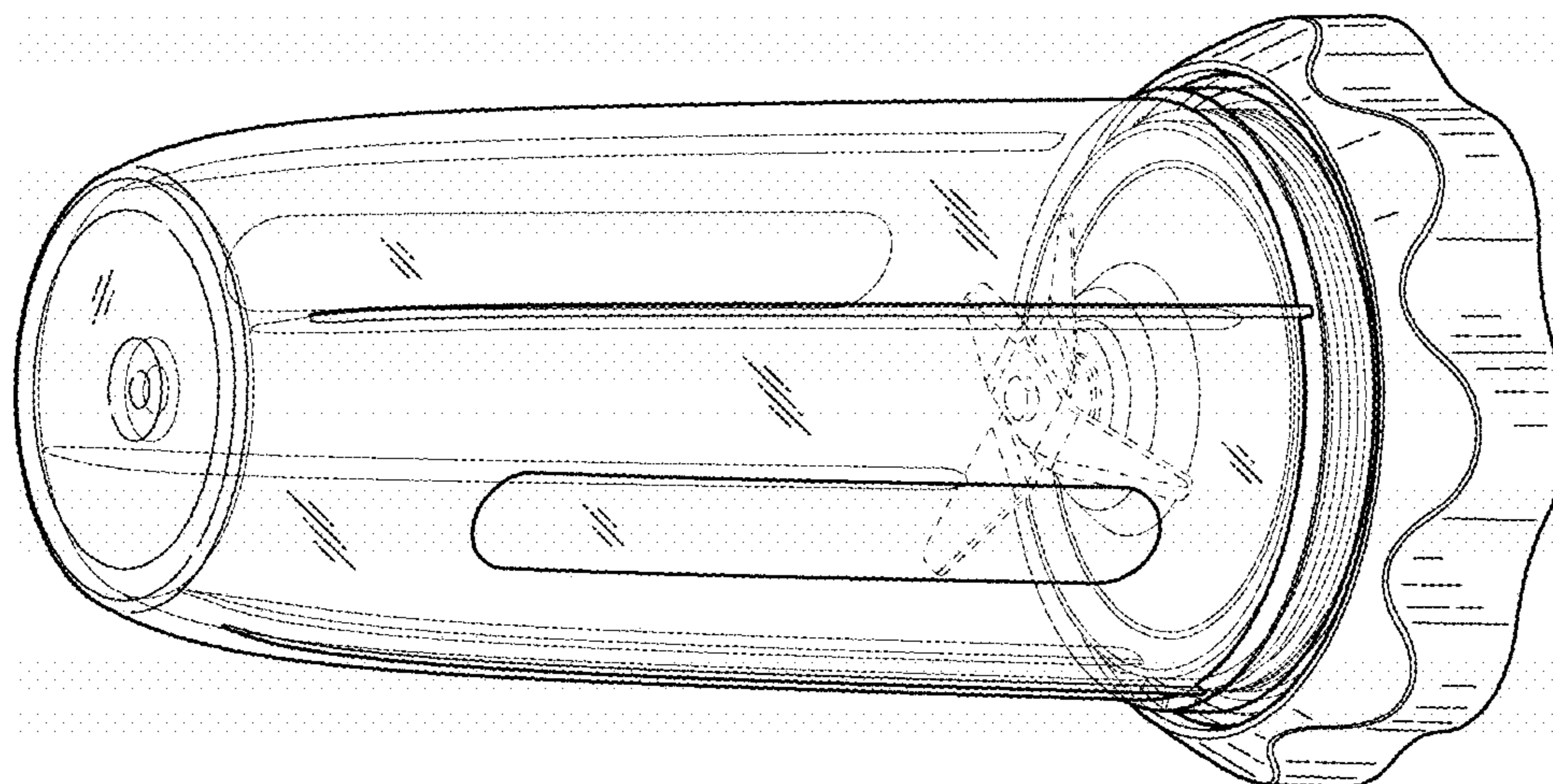


FIG. 2

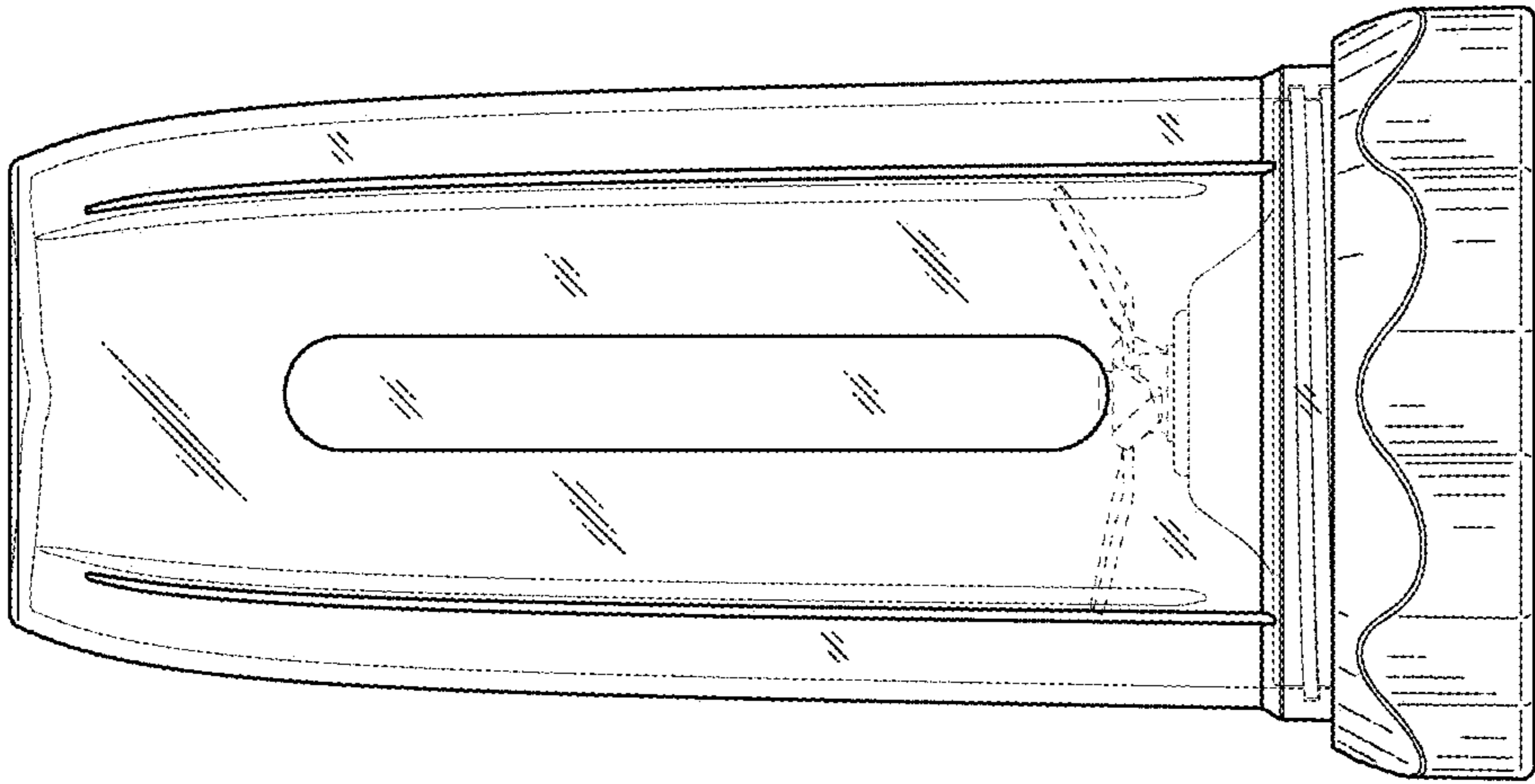


FIG. 5

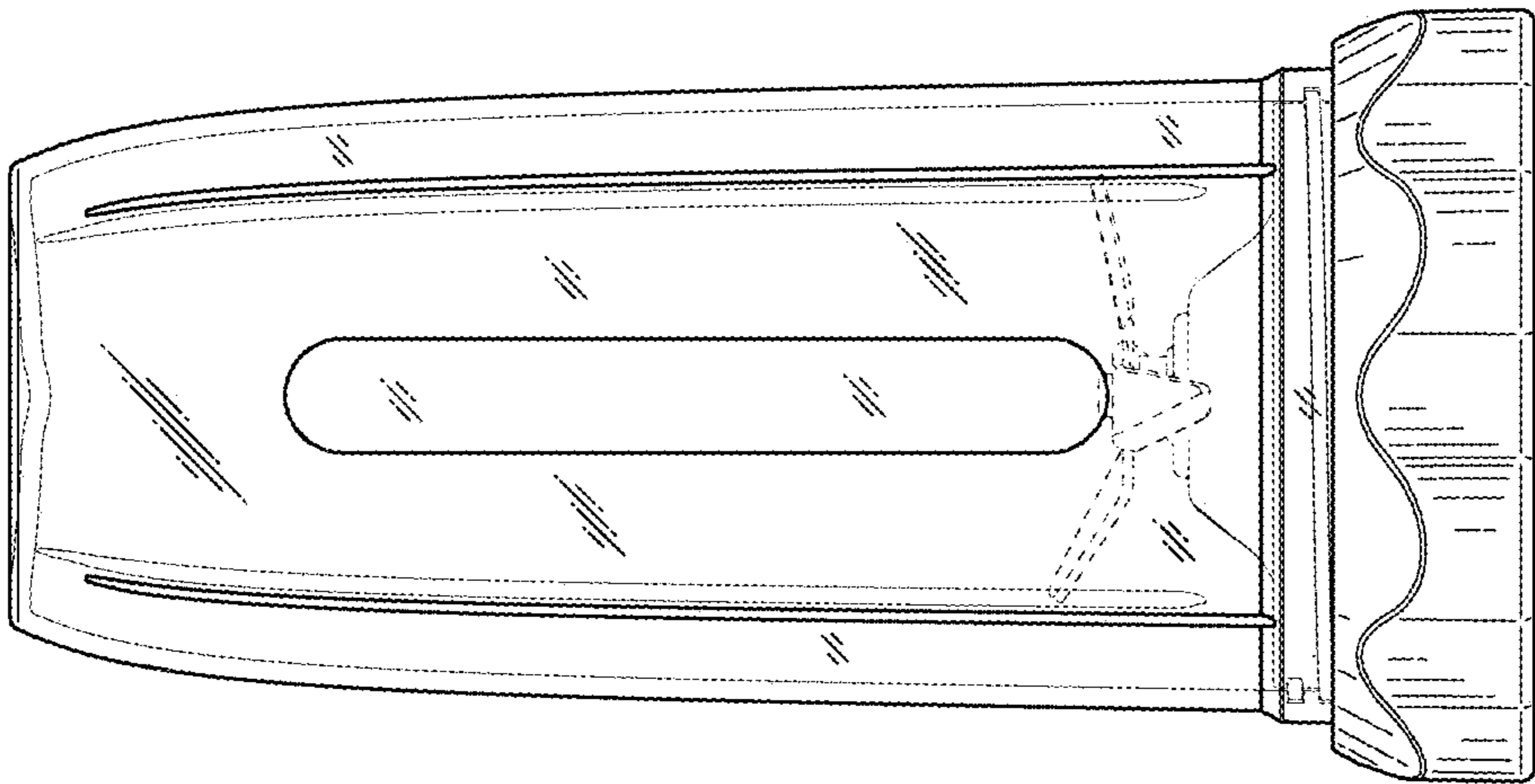


FIG. 4

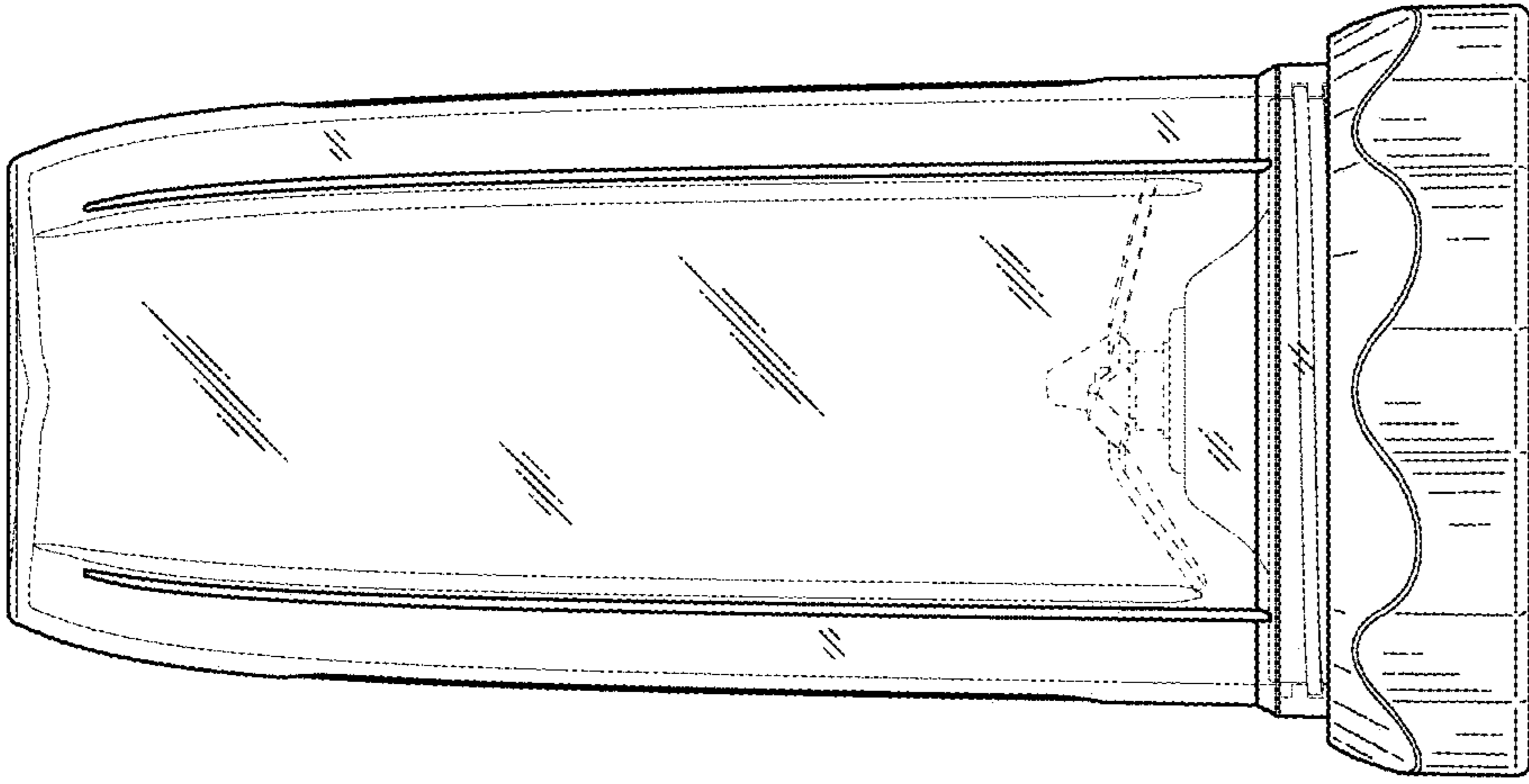


FIG. 7

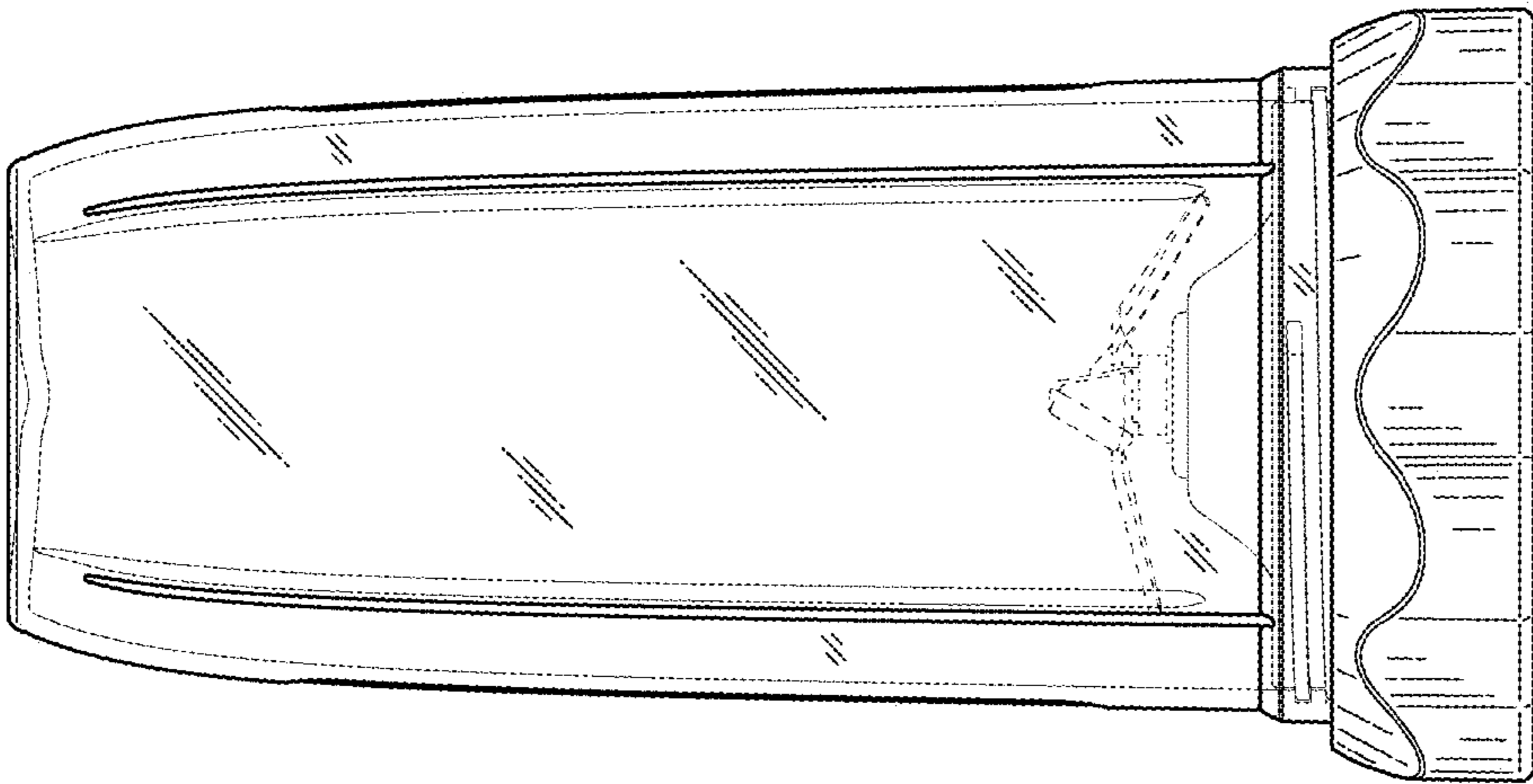


FIG. 8

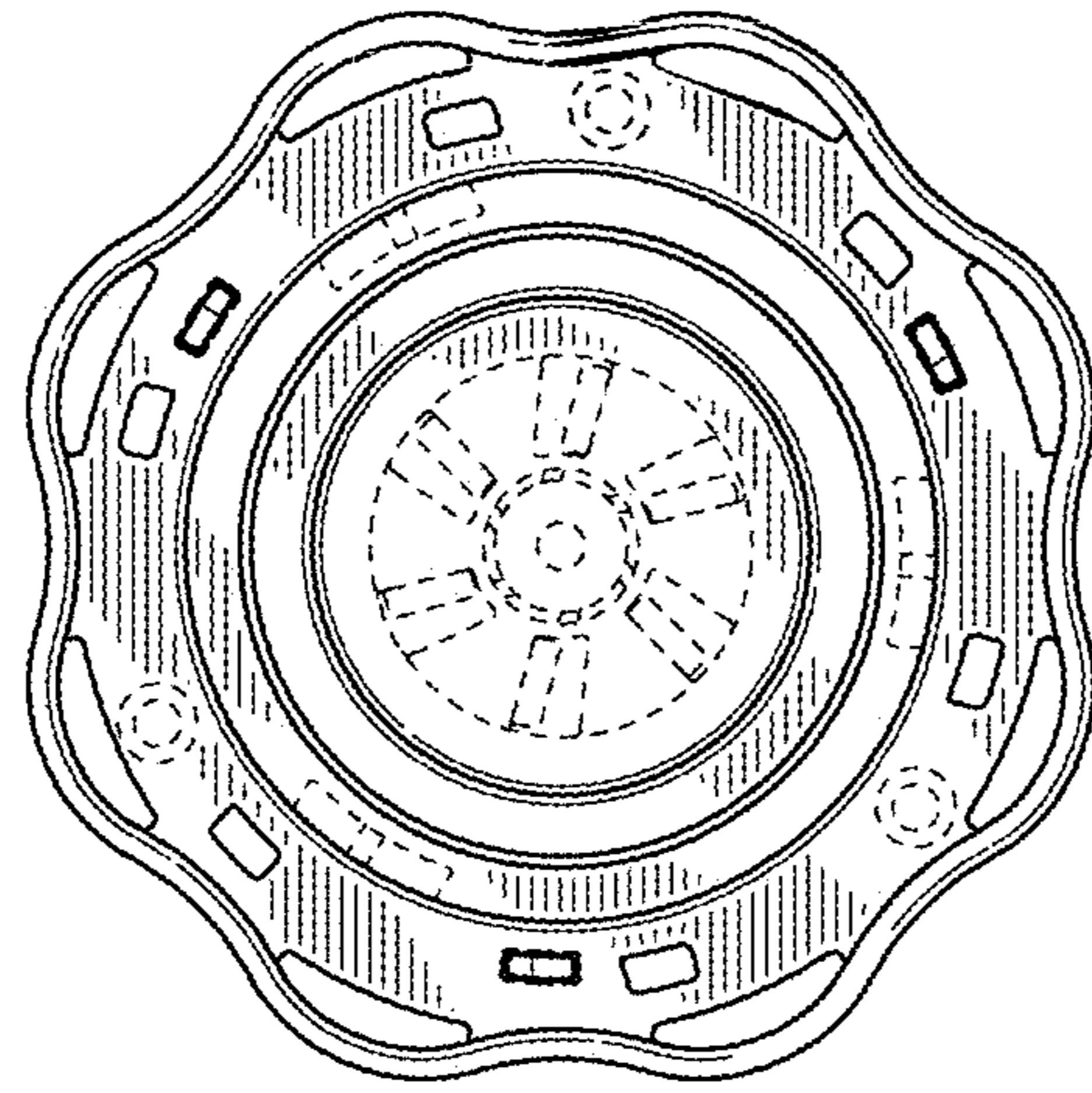


Fig. 9

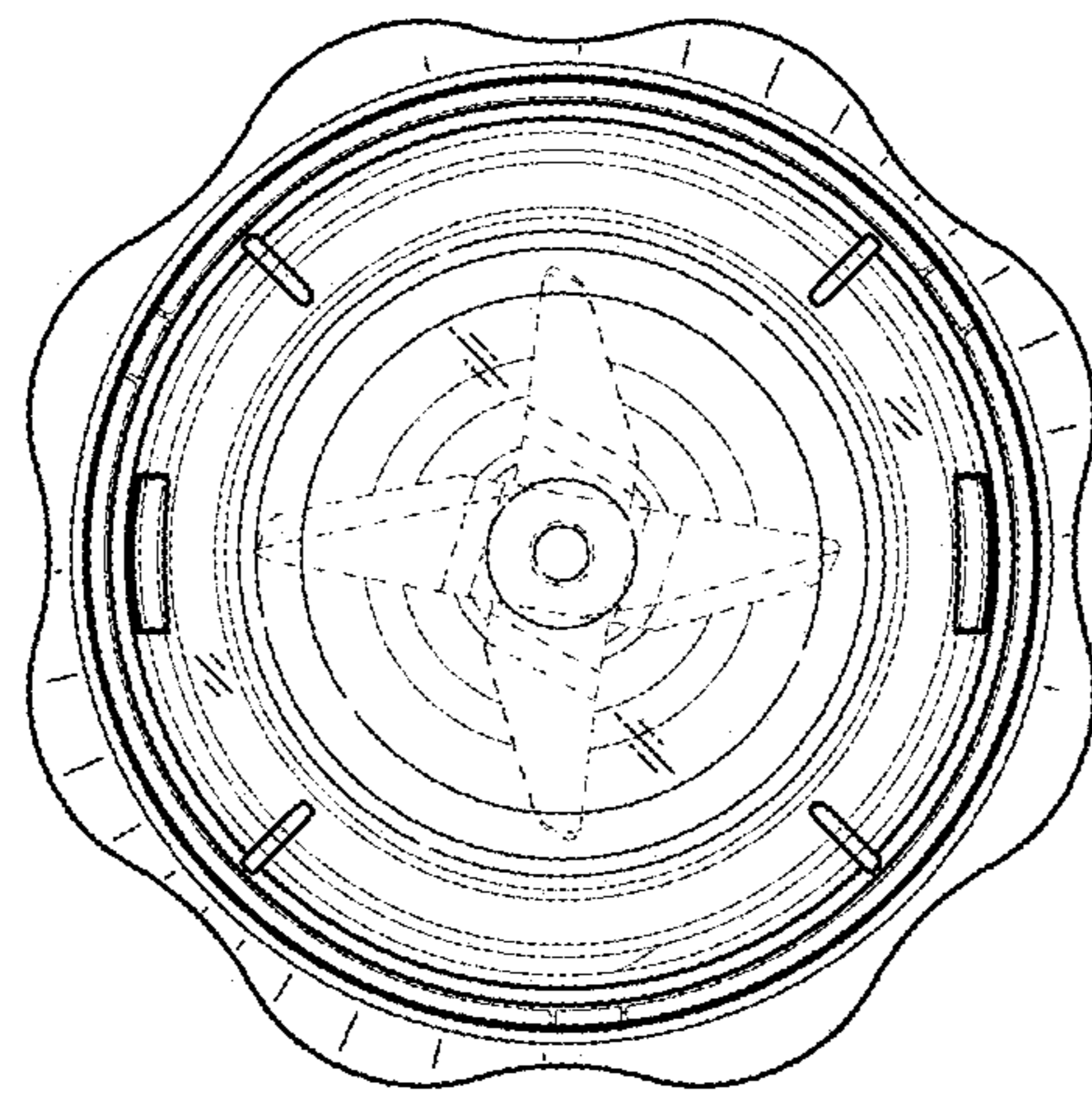


Fig. 8