



US00D932241S

(12) **United States Design Patent** (10) **Patent No.:** **US D932,241 S**
Markiewicz et al. (45) **Date of Patent:** **** Oct. 5, 2021**

(54) **MANUAL FOOD PROCESSOR WITH REMOVABLE CARTRIDGES**

(71) Applicant: **The Vollrath Company, L.L.C.**, Sheboygan, WI (US)

(72) Inventors: **Jacob Allen Markiewicz**, Cleveland, WI (US); **Jill Eileen Hundley**, Sheboygan, WI (US); **Matthew P. Schemelin**, West Bend, WI (US)

(73) Assignee: **The Vollrath Company, L.L.C.**, Sheboygan, WI (US)

(**) Term: **15 Years**

(21) Appl. No.: **29/717,699**

(22) Filed: **Dec. 18, 2019**

(51) **LOC (13) Cl.** **31-00**

(52) **U.S. Cl.**
USPC **D7/412**; D7/381; D7/384

(58) **Field of Classification Search**
USPC D7/372, 376-386, 412, 665-666, 669, D7/673, 678-679, 693-694

CPC A01F 2015/07; A01F 2015/077; A01F 2015/0775; A23N 1/00; A23N 1/02; A47J 19/00; A47J 19/005; A47J 19/02; A47J 19/025; A47J 19/04; A47J 19/06; A47J 42/32; A47J 42/34; A47J 42/36; A47J 43/044; A47J 43/25; A47J 43/255; B01F 7/26; B01F 7/28; B01F 11/0082; B01F 13/04; B02C 13/00; B02C 13/02; B02C 13/10; B02C 18/06; B02C 18/26; B02C 18/2291; B02C 18/30; B02C 18/301; B02C

(Continued)

(56) **References Cited**

U.S. PATENT DOCUMENTS

940,063 A 11/1909 Reenstierna
1,867,657 A 7/1932 Dellinger

(Continued)

OTHER PUBLICATIONS

Princecastle Marmon Food Service Technologies, Universal Slicer Saber King, Apr. 2017, 7 Pages.

(Continued)

Primary Examiner — Ricky Pham

(74) *Attorney, Agent, or Firm* — Foley & Lardner LLP

(57) **CLAIM**

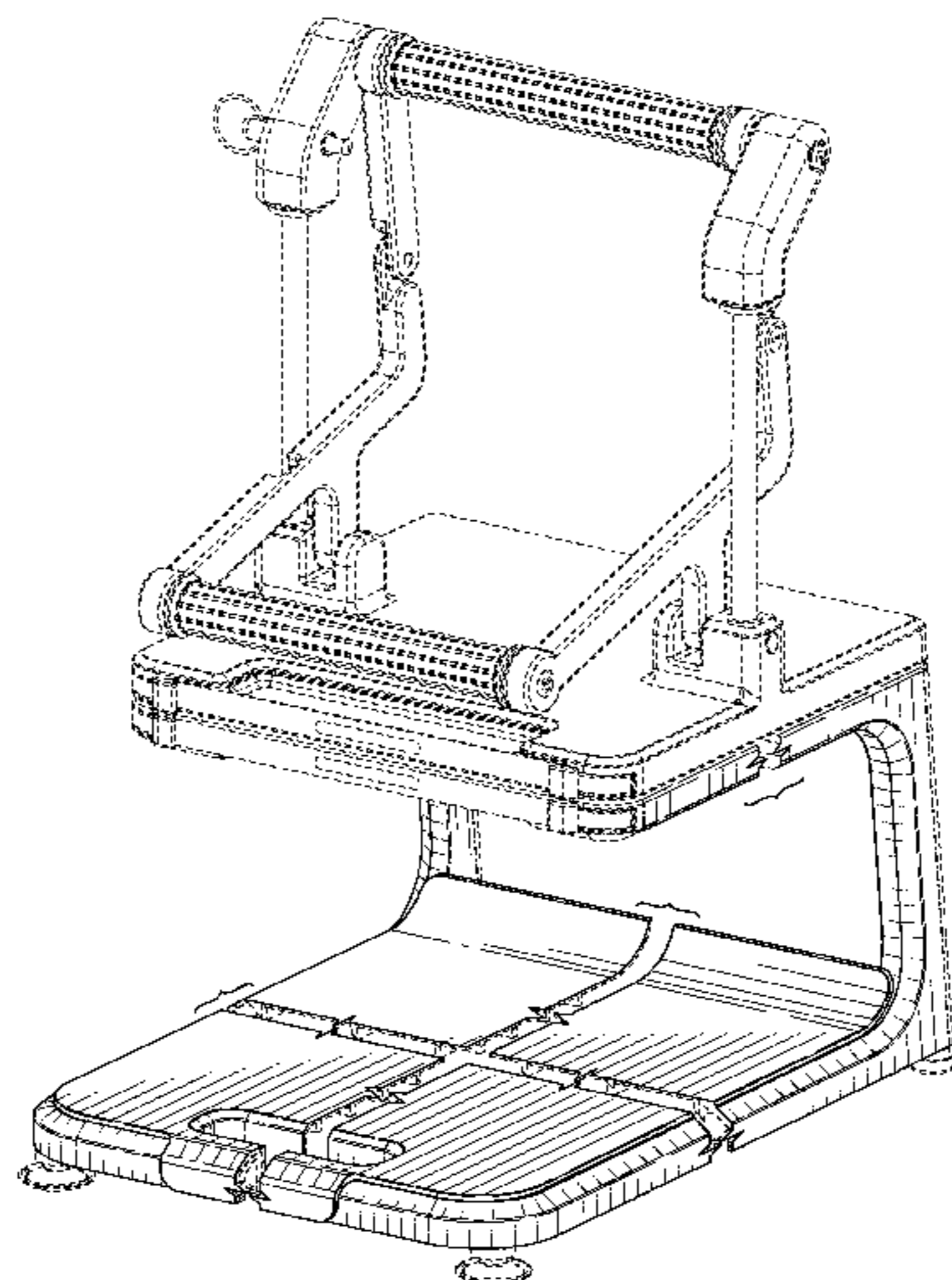
We claim the ornamental design for a manual food processor with removable cartridges, as shown and described.

DESCRIPTION

FIG. 1 is a front perspective view from above of the claimed manual food processor with removable cartridges in a first stage of operation according to one embodiment; FIG. 2 is a front view of the claimed design of FIG. 1; FIG. 3 is a rear side view of the claimed design of FIG. 1; FIG. 4 is a right side view of the claimed design of FIG. 1; FIG. 5 is a left side view of the claimed design of FIG. 1; FIG. 6 is a top view of the claimed design of FIG. 1; FIG. 7 is a bottom view of the claimed design of FIG. 1; and, FIG. 8 is a front perspective view from above of the claimed design of FIG. 1 in a second stage of operation.

The ornamental design that is claimed is shown in solid lines in the figures. Broken lines of equal or substantially equal length dashes in the drawings are for illustrative purposes only and form no part of the claimed design. Broken lines formed by equal length dashes show unclaimed portions of the design. Broken lines formed of unequal length dashes (i.e. dash-dot) show boundaries between claimed and unclaimed portions of the design. Broken lines having a jagged element show that no particular length of the portion is claimed.

1 Claim, 8 Drawing Sheets



(58) **Field of Classification Search**

CPC ... 18/302; B02C 18/304; B02C 18/305; B02C 25/00; B02C 2002/00; B02C 2013/00; B02C 2013/14; B02C 2013/145; B02C 2013/18; B02C 2013/1807; B02C 2013/1857; B02C 2013/1864; B26D 3/26; B26D 3/185; B26D 7/0608; B26D 7/225; B30B 9/00; B30B 9/16; B30B 9/18; B30B 9/20; B30B 9/26; B30B 9/205; B30B 9/207; A22C 25/18; A23P 30/10

See application file for complete search history.

(56) **References Cited**

U.S. PATENT DOCUMENTS

1,947,153 A 2/1934 Dellinger
 2,102,819 A 12/1937 Ronci
 2,120,375 A 6/1938 Shaver et al.
 2,283,030 A 5/1942 Bakewell
 2,346,282 A 4/1944 Watts
 2,407,924 A 9/1946 Garfunkel
 2,563,237 A * 8/1951 Grocoff B26D 3/185
 83/651.1
 D164,693 S * 10/1951 Koons D7/673
 2,916,986 A * 12/1959 Lebovitz A22C 25/18
 100/94
 3,112,781 A 12/1963 Popeil
 3,115,172 A 12/1963 Meur Inffeld
 3,369,582 A 2/1968 Giangiulio
 3,605,839 A 9/1971 Gerson
 3,924,501 A 12/1975 Cohen et al.
 3,948,132 A 4/1976 Camp
 4,059,037 A 11/1977 Gerson et al.
 4,062,260 A 12/1977 Steinhogl
 4,145,941 A 3/1979 Davis
 4,184,397 A 1/1980 Jones
 4,346,634 A 8/1982 Jones
 4,436,011 A 3/1984 Jones
 4,573,384 A 3/1986 Jones
 4,579,028 A 4/1986 Neidhardt
 4,625,607 A 12/1986 Maillez
 4,734,027 A 3/1988 Adams
 D298,790 S * 12/1988 Hutchinson D7/673
 5,142,973 A * 9/1992 Tur B26D 3/26
 83/588
 5,245,902 A 9/1993 Pereira
 5,373,781 A 12/1994 Knasel
 5,463,943 A 11/1995 Knasel
 5,520,105 A 5/1996 Healy
 6,143,391 A 11/2000 Barnes et al.
 6,435,080 B1 8/2002 Zarlengo

6,564,705 B2 5/2003 Zarlengo
 D505,302 S * 5/2005 Veltrop D7/673
 7,191,691 B2 3/2007 Kaposi
 7,568,414 B2 8/2009 Farid et al.
 7,900,544 B2 3/2011 Williams
 7,992,476 B2 8/2011 Kaposi
 8,495,941 B2 7/2013 Farid et al.
 8,555,763 B2 10/2013 Farid et al.
 8,596,176 B1 12/2013 Wagner
 8,739,669 B2 6/2014 Engdahl et al.
 9,226,608 B2 1/2016 Cotter et al.
 9,511,504 B2 12/2016 Whitney
 9,694,506 B2 7/2017 Whitney
 9,840,018 B2 12/2017 Whitney
 9,908,252 B2 3/2018 Lopez
 9,914,229 B2 3/2018 Fastabend et al.
 D823,054 S * 7/2018 Miller D7/412
 10,532,480 B2 * 1/2020 Fastabend B26D 7/225
 2006/0185488 A1 8/2006 Short et al.
 2007/0044619 A1 * 3/2007 Farid B26D 7/0608
 83/620
 2008/0160128 A1 * 7/2008 Cohen B26D 3/185
 425/296
 2009/0249935 A1 * 10/2009 Kaposi B26D 3/26
 83/635
 2009/0272281 A1 11/2009 Hood et al.
 2010/0313724 A1 * 12/2010 Farid B26D 7/0608
 83/123
 2011/0132161 A1 6/2011 Robbins
 2012/0325066 A1 12/2012 Braun
 2014/0208908 A1 7/2014 Whitney
 2014/0208909 A1 7/2014 Whitney
 2014/0208910 A1 7/2014 Whitney
 2014/0208911 A1 7/2014 Whitney
 2014/0208917 A1 7/2014 Whitney
 2015/0224658 A1 8/2015 Whitney
 2015/0224659 A1 8/2015 Whitney
 2015/0224661 A1 8/2015 Whitney
 2015/0224662 A1 8/2015 Whitney
 2015/0224663 A1 8/2015 Whitney
 2015/0231791 A1 8/2015 Robbins
 2015/0296842 A1 * 10/2015 Romano A23P 30/10
 426/637
 2017/0190066 A1 7/2017 Fastabend et al.
 2018/0154534 A1 6/2018 Fastabend et al.
 2018/0169880 A1 6/2018 Whitney

OTHER PUBLICATIONS

U.S. Appl. No. 62/869,336, filed Jul. 1, 2019, The Vollrath Company, L.L.C.

* cited by examiner

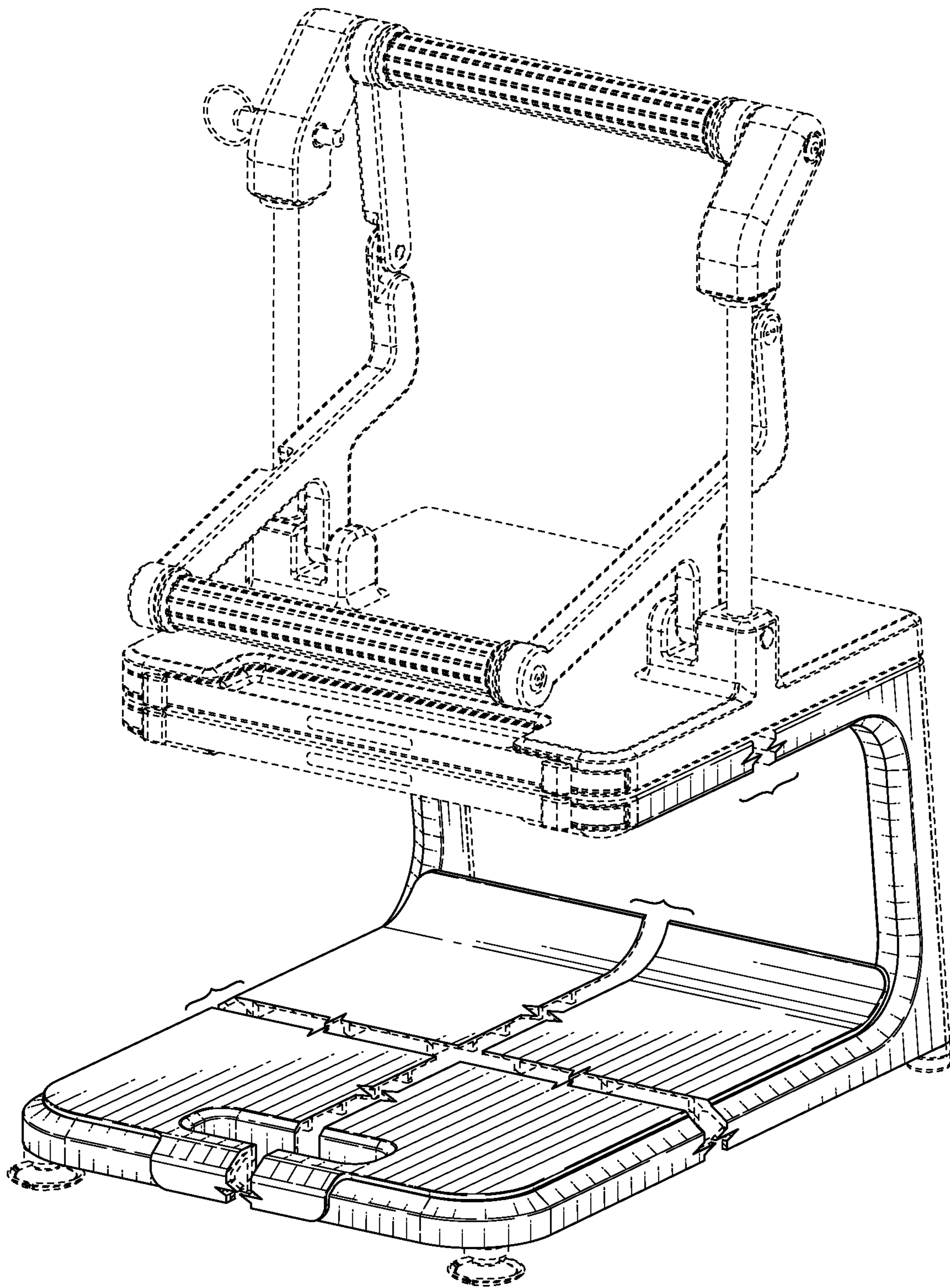


FIG. 1

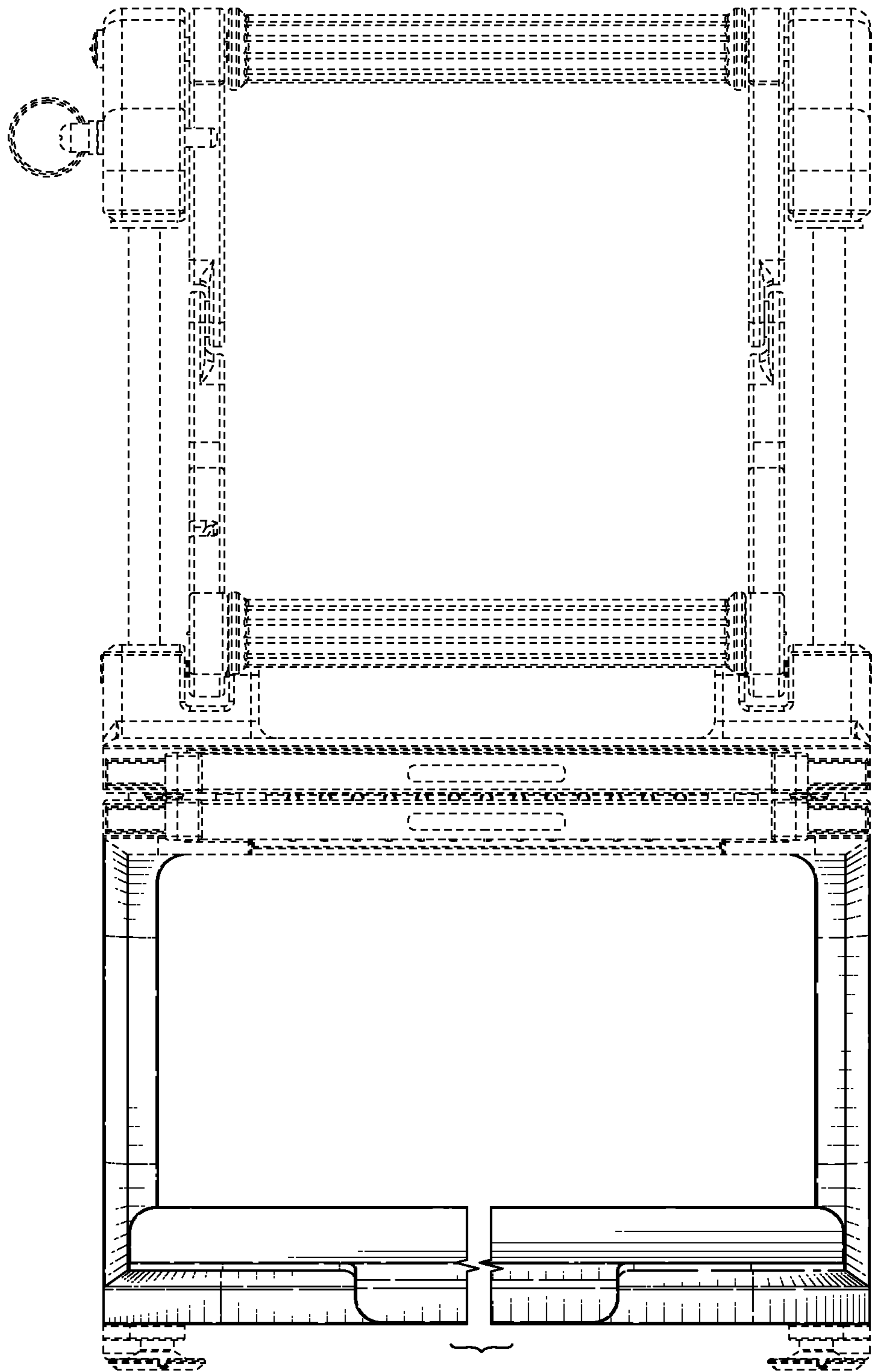


FIG. 2

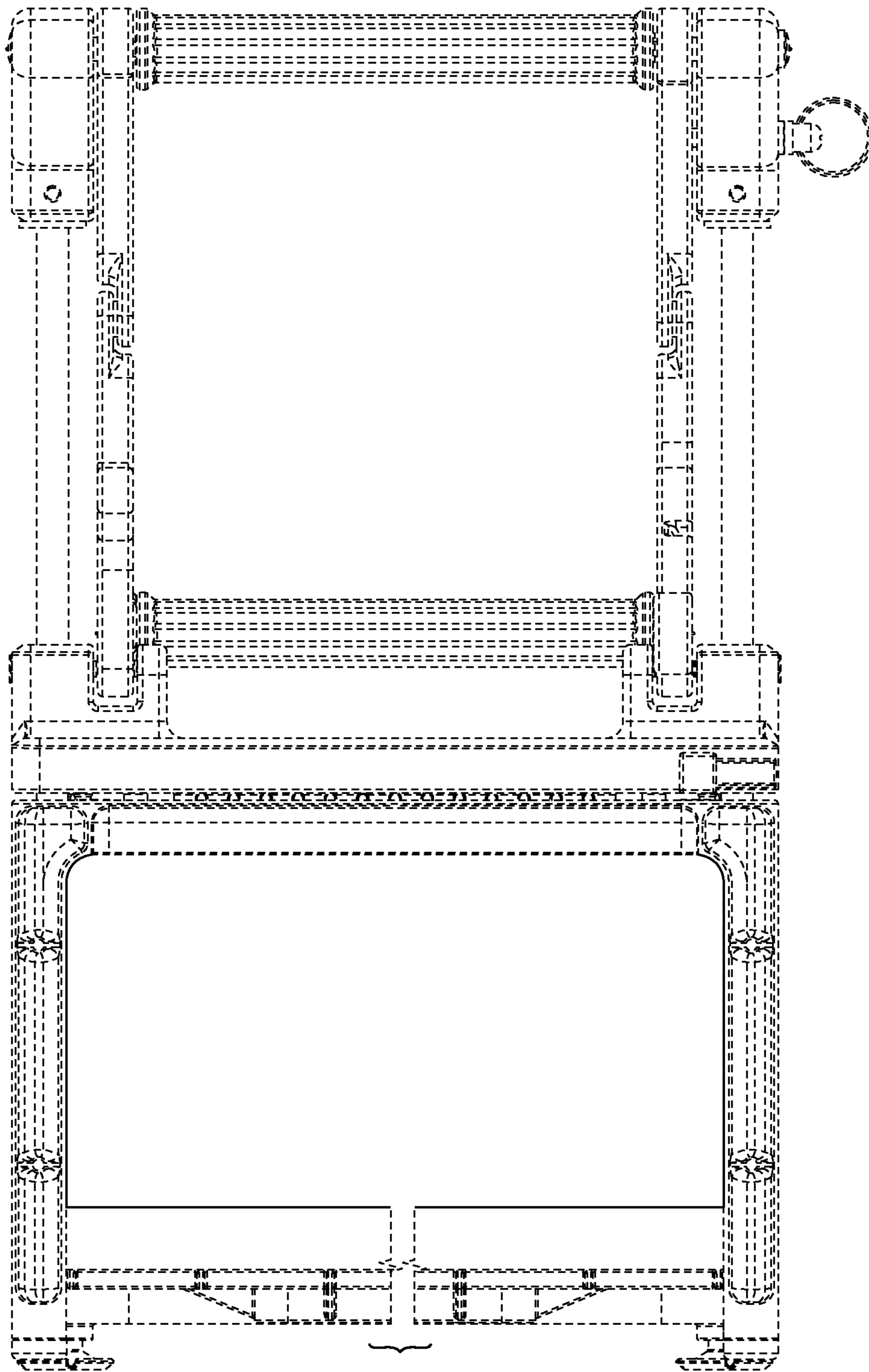


FIG. 3

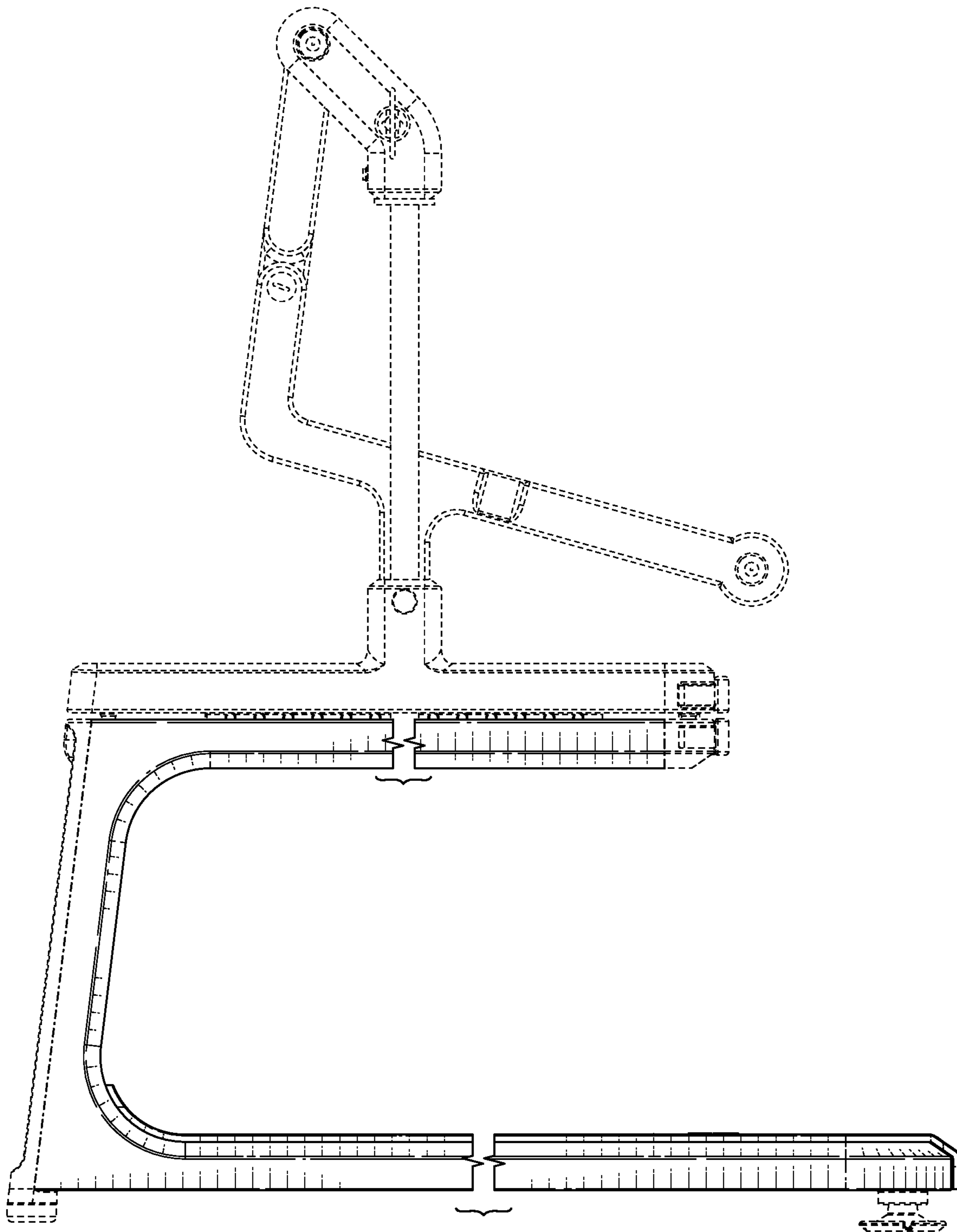


FIG. 4

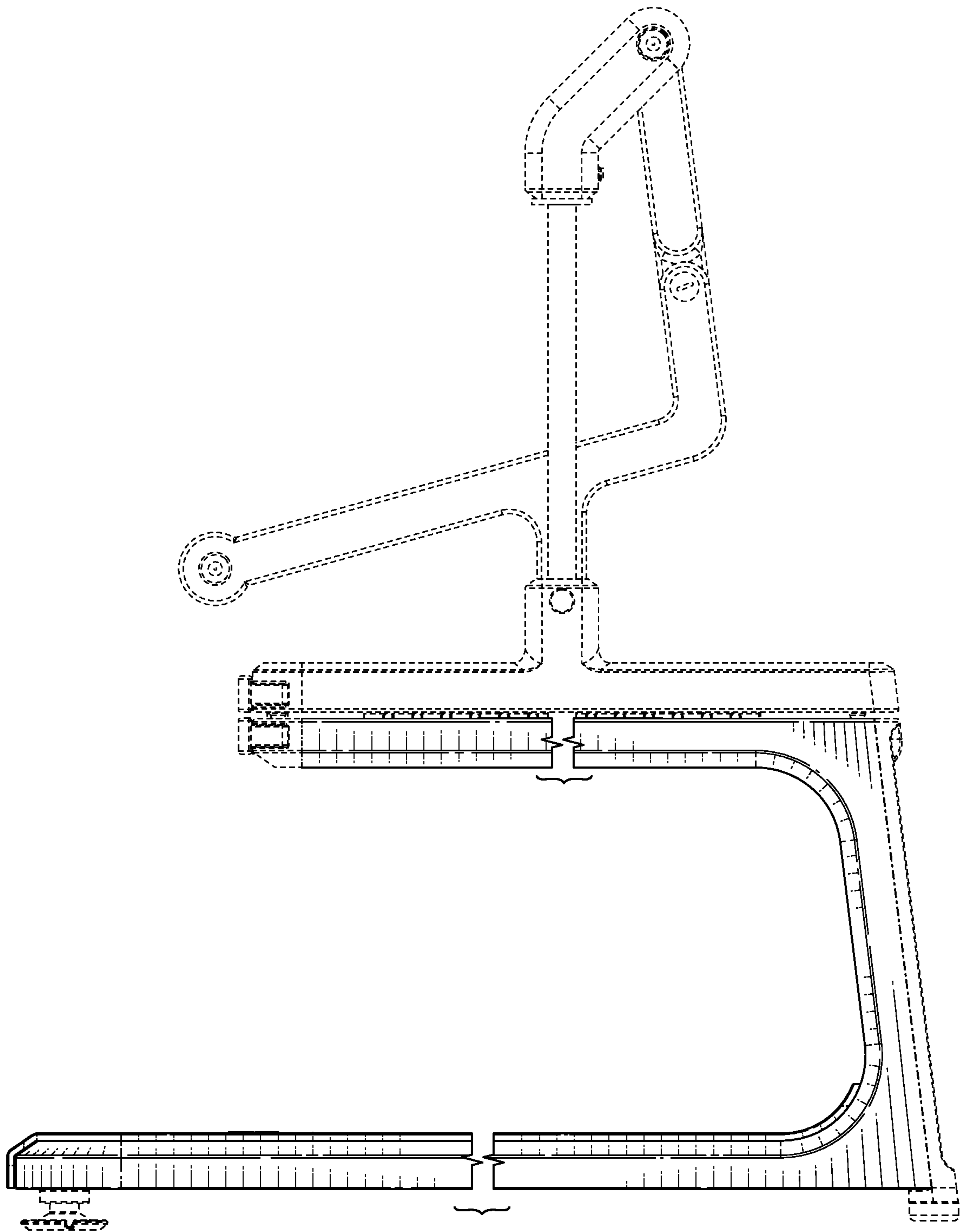


FIG. 5

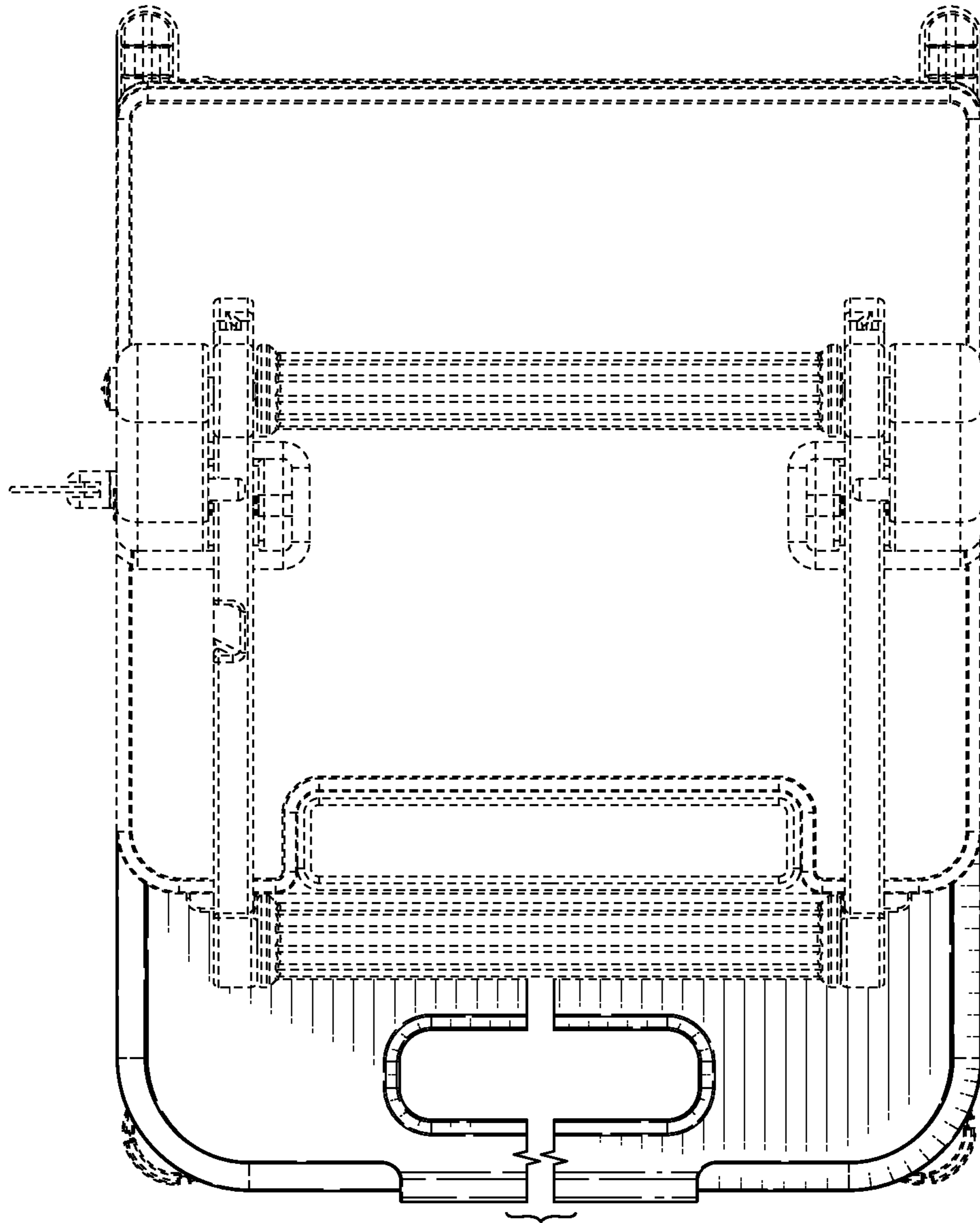


FIG. 6

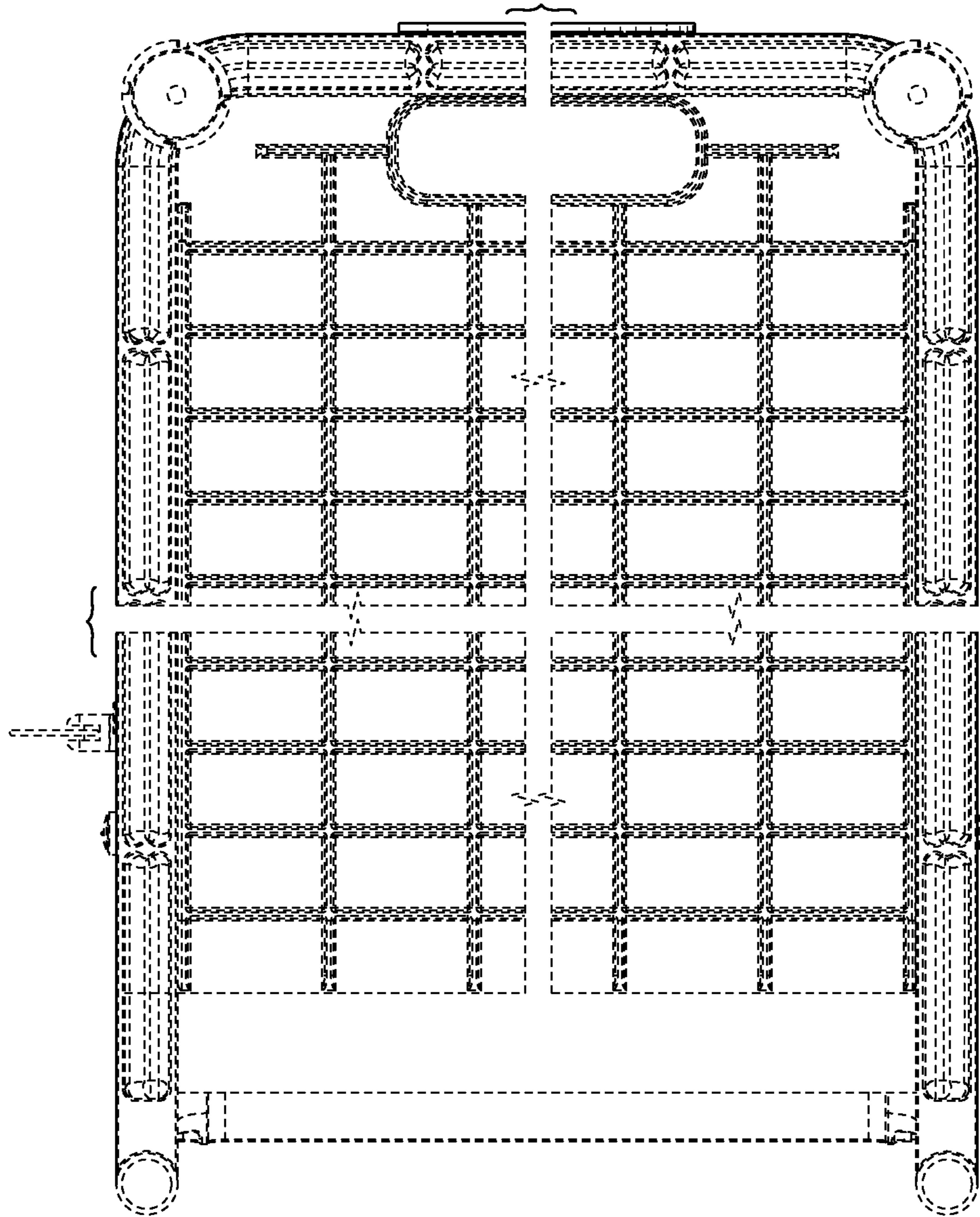


FIG. 7

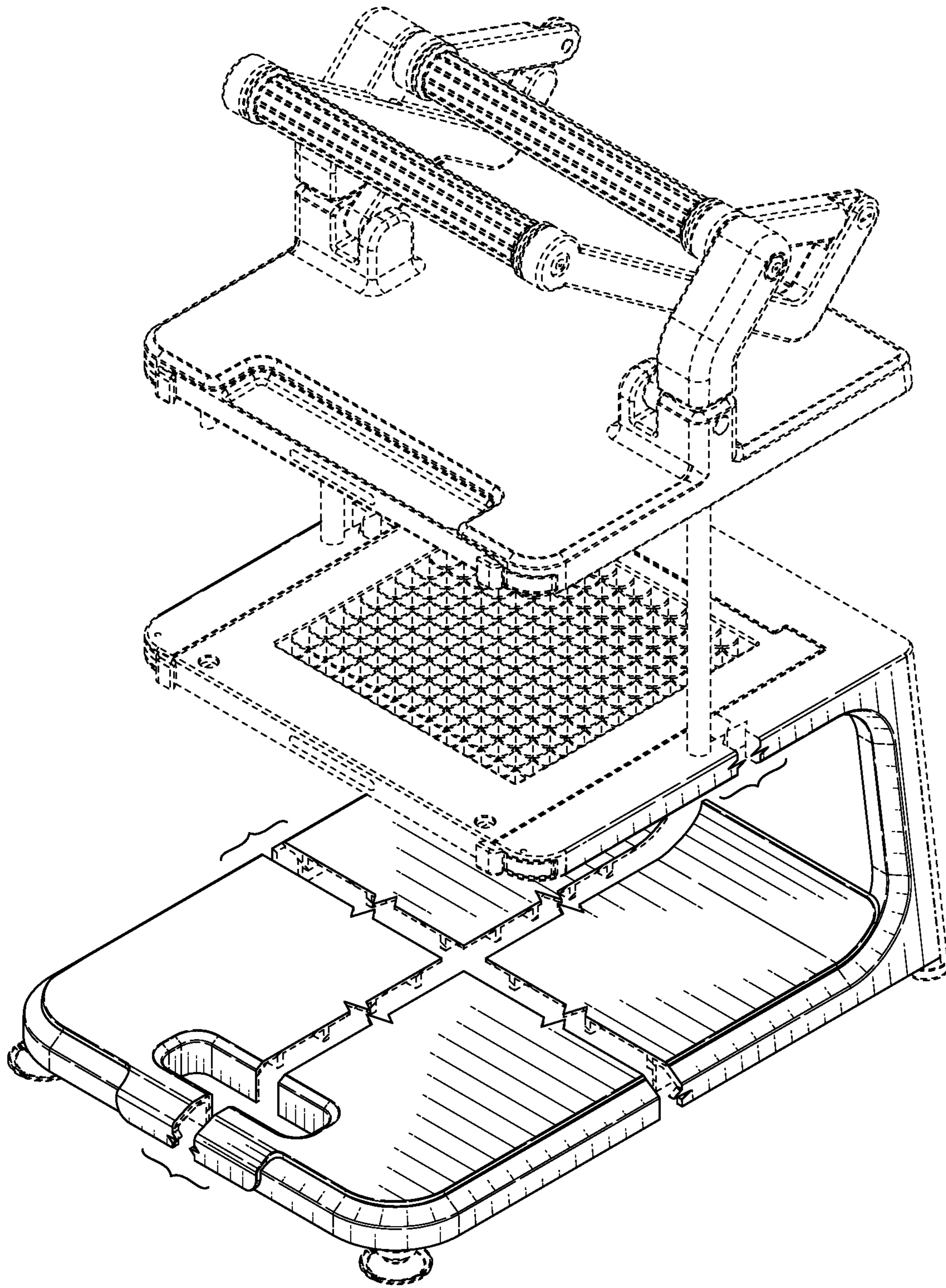


FIG. 8