



US00D932237S

(12) **United States Design Patent** (10) **Patent No.:** **US D932,237 S**  
**Carulla i Callis** (45) **Date of Patent:** **\*\* Oct. 5, 2021**

(54) **MEAT PROCESSING MACHINE**

(71) Applicant: **METALQUIMIA, S.A.U.**, Girona (ES)

(72) Inventor: **Andreu Carulla i Callis**, Girona (ES)

(\*\*) Term: **15 Years**

(21) Appl. No.: **29/684,437**

(22) Filed: **Mar. 21, 2019**

(51) **LOC (13) Cl.** ..... **31-00**

(52) **U.S. Cl.**  
 USPC ..... **D7/376**

(58) **Field of Classification Search**  
 USPC ..... D7/306, 309, 372, 374, 376, 377, 378,  
 D7/379, 380, 381, 383, 384, 385, 386,  
 D7/412, 413, 598, 694, 669, 679  
 CPC .. A47J 43/04; A47J 43/25; A47J 43/27; A47J  
 43/042; A47J 43/044; A47J 43/046; A47J  
 43/075; A47J 43/0722; A47J 43/0727;  
 A47J 42/40; A21C 1/02; A21C 1/04;  
 A23G 9/045; A23N 1/00; A23N 1/02;  
 B01F 3/00; B01F 3/0807; B01F 3/0853;  
 B01F 13/0059; B01F 13/0064; B02C  
 1/08; B02C 2/04; B02C 4/42; B02C  
 4/142; B02C 4/143; B02C 4/423; B02C  
 13/1835; B28C 5/10; B28C 5/12; B28C  
 5/14; B28C 5/16  
 See application file for complete search history.

7,381,122 B2 \* 6/2008 Lagares Corominas .....  
 A22C 11/00  
 452/30  
 D887,794 S \* 6/2020 Jin ..... D7/673  
 2004/0043133 A1 \* 3/2004 Crider, III ..... A23L 13/60  
 426/644  
 2013/0098169 A1 \* 4/2013 Maile ..... A22C 11/08  
 73/862.541  
 2018/0279830 A1 \* 10/2018 Conti ..... A47J 42/40

FOREIGN PATENT DOCUMENTS

CH 597761 A5 \* 4/1978 ..... B02C 18/00  
 EP 1364581 A1 \* 11/2003 ..... A22C 9/004  
 JP 2018176025 A \* 11/2018

OTHER PUBLICATIONS

160-I Deboner, Beef Deboning, Duck Deboning, Poultry Meat Processing Machinery, no announcementdate [online], retrieved Jul. 17, 2020, retrieved from internet, <http://debonermachine.com/1-3-160-i-deboner.html>.\*

\* cited by examiner

*Primary Examiner* — Dana K Weiland  
*Assistant Examiner* — Messina L Smith  
 (74) *Attorney, Agent, or Firm* — Eugenio J. Torres-Oyola;  
 Victor M. Rodriguez-Reyes; Rafael Rodriguez-Muriel

(57) **CLAIM**

The ornamental design for a meat processing machine, as shown and described.

**DESCRIPTION**

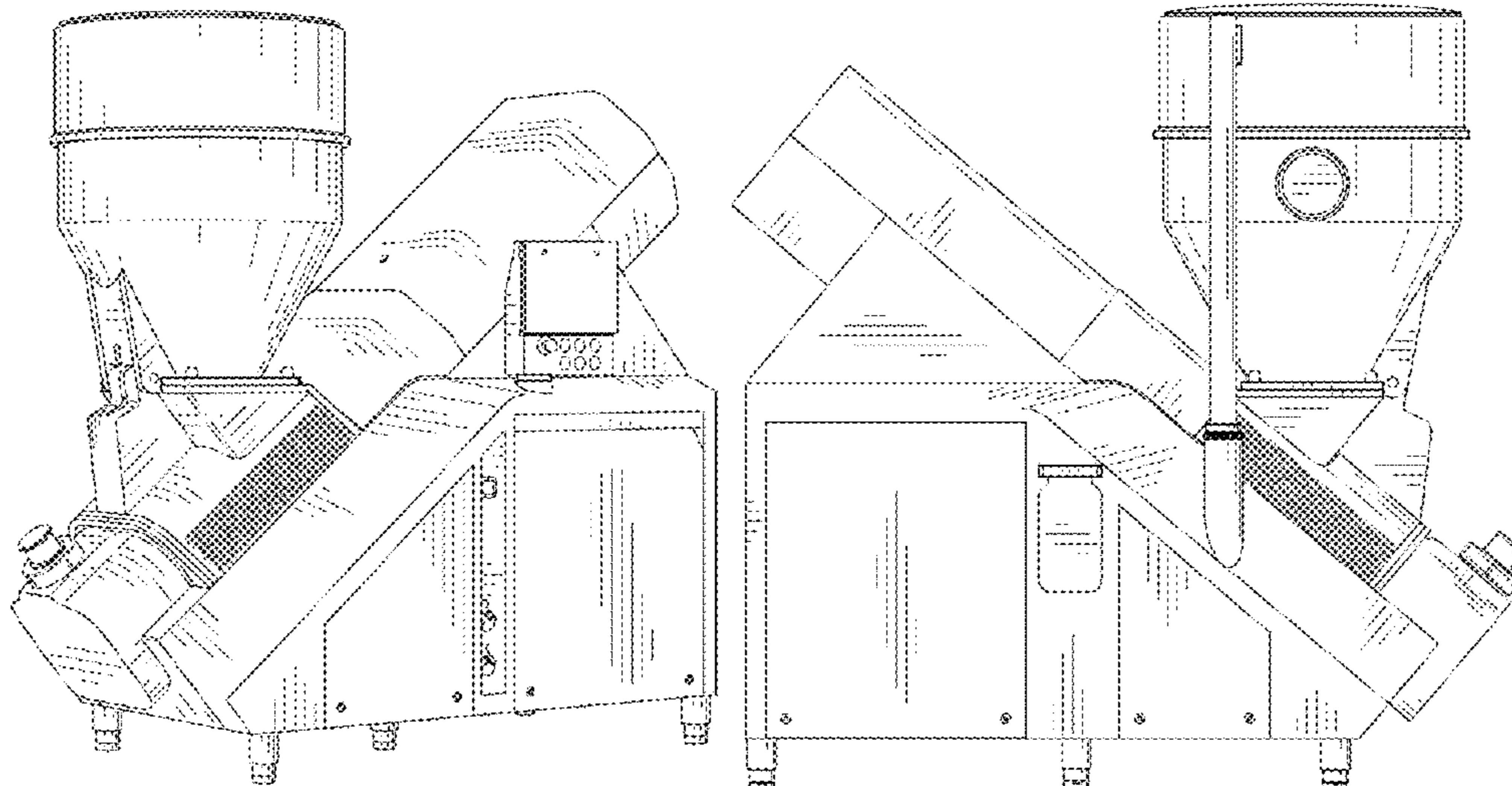
FIG. 1 is a right, front-perspective view of a meat processing machine, showing my new design.  
 FIG. 2 is a left side view of the meat processing machine.  
 FIG. 3 is a front view of the meat processing machine; and,  
 FIG. 4 is a rear view of the meat processing machine.  
 The broken lines shown in the drawings represent portions of the meat processing machine that form no part of the claimed design.

**1 Claim, 4 Drawing Sheets**

(56) **References Cited**

U.S. PATENT DOCUMENTS

1,864,343 A \* 6/1932 Dryden ..... B02C 18/38  
 74/16  
 2,655,967 A \* 10/1953 Mallory ..... B02C 18/30  
 241/82.6  
 4,953,262 A \* 9/1990 Zinser ..... B65G 65/23  
 414/639  
 5,628,237 A \* 5/1997 Lindee ..... B26D 1/0006  
 83/403.1  
 D488,024 S \* 4/2004 Li ..... D7/373



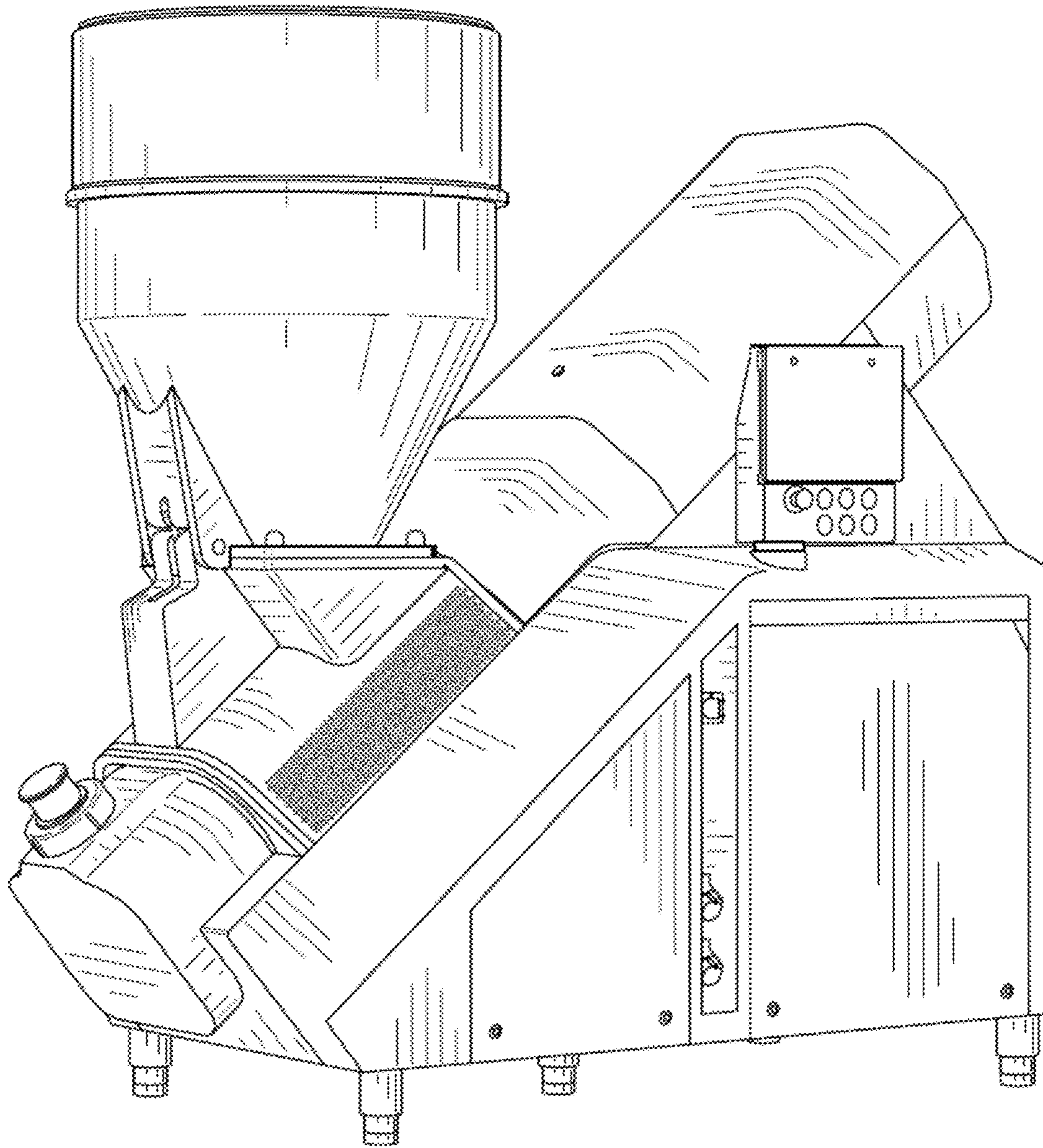


FIG. 1

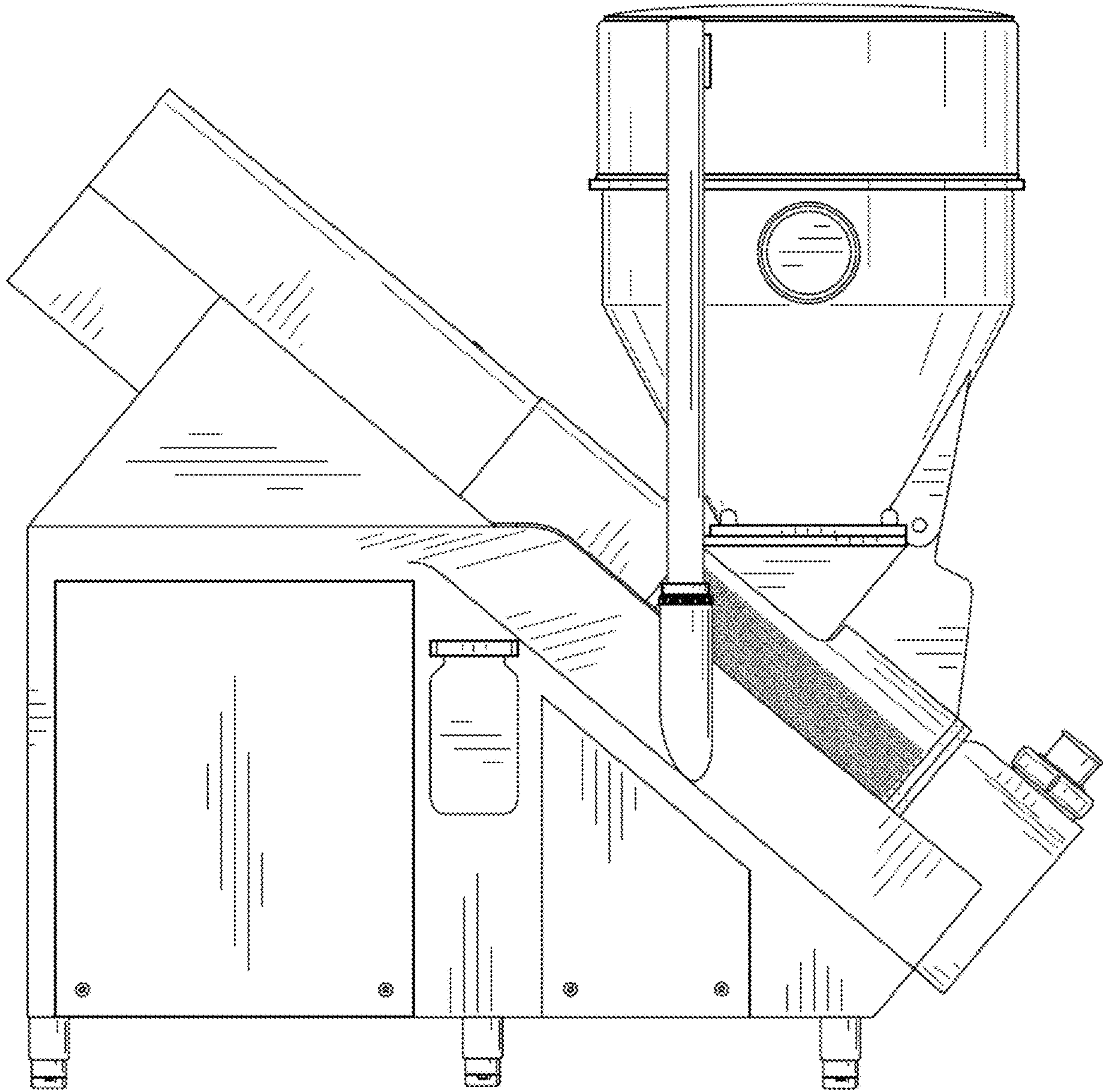


FIG. 2

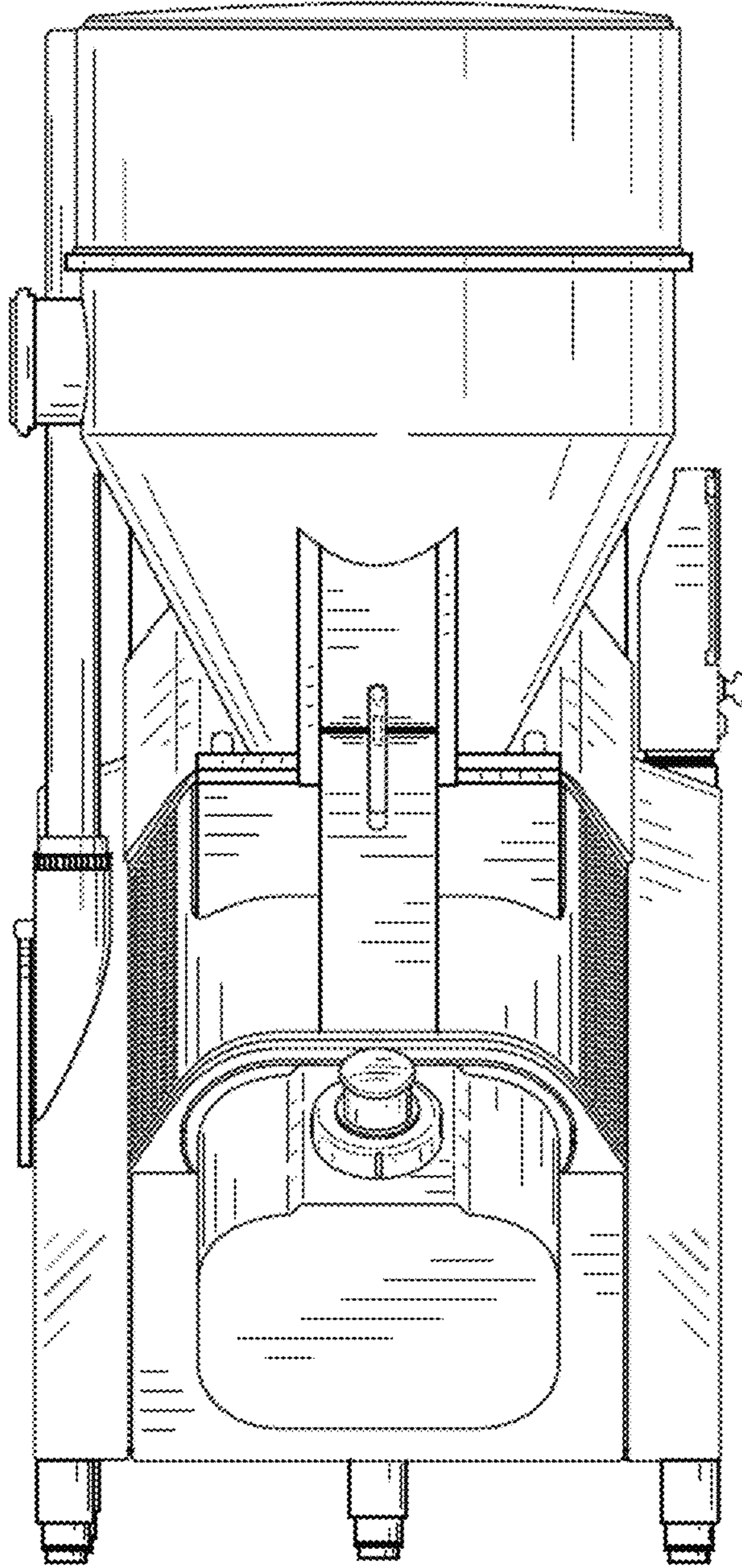


FIG. 3

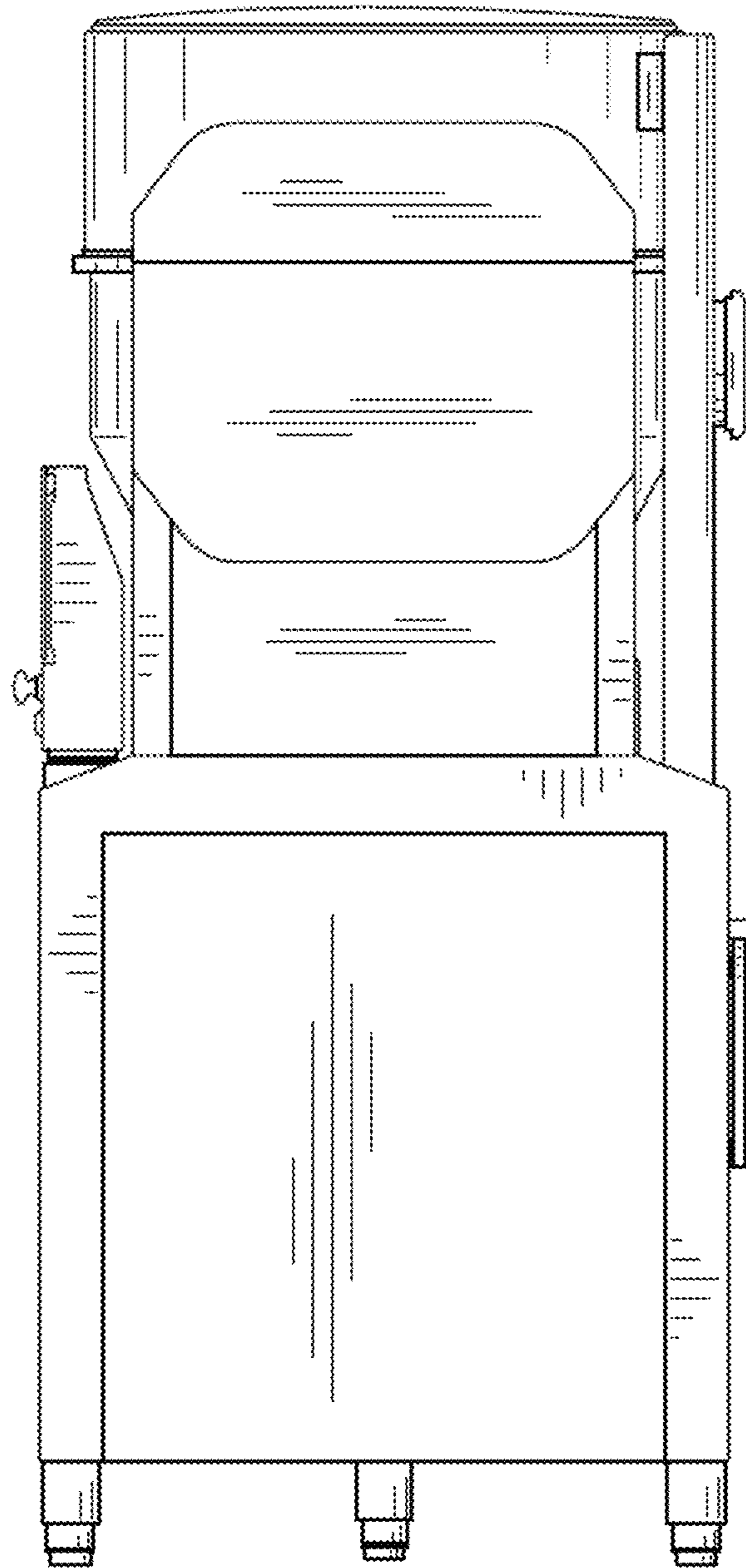


FIG. 4