



US00D932236S

(12) **United States Design Patent** (10) **Patent No.:** **US D932,236 S**
Leppert et al. (45) **Date of Patent:** **** Oct. 5, 2021**

(54) **MEAT GRINDER WITH FUNNELED FEED CHUTE**
(71) Applicants: **Kevin L Leppert**, Lanexa, VA (US);
Ernest B Pryor, Jr., Maidens, VA (US);
Michael G Sandford, Mechanicsville, VA (US)
(72) Inventors: **Kevin L Leppert**, Lanexa, VA (US);
Ernest B Pryor, Jr., Maidens, VA (US);
Michael G Sandford, Mechanicsville, VA (US)
(73) Assignee: **Hamilton Beach Brands, Inc.**, Glen Allen, VA (US)
(**) Term: **15 Years**

(21) Appl. No.: **29/741,566**
(22) Filed: **Jul. 14, 2020**
(51) **LOC (13) Cl.** **31-00**
(52) **U.S. Cl.**
USPC **D7/372**
(58) **Field of Classification Search**
USPC D7/372, 376-386, 665-666, 669,
D7/678-679, 693-694
CPC A01F 2015/07; A01F 2015/077; A01F
2015/0775; A23N 1/00; A23N 1/02; A47J
19/00; A47J 19/005; A47J 19/02; A47J
19/025; A47J 19/04; A47J 19/06; A47J
42/32; A47J 42/34; A47J 42/36; A47J
43/044; A47J 43/25; A47J 43/255; B01F
7/26; B01F 7/28; B01F 11/0082; B01F
13/04; B02C 13/00; B02C 13/02; B02C
13/10; B02C 18/06; B02C 18/26; B02C
18/2291; B02C 18/30; B02C 18/301;
B02C 18/302; B02C 18/304; B02C
18/305; B02C 25/00; B02C 2002/00;
B02C 2013/00; B02C 2013/14; B02C
2013/145; B02C 2013/18; B02C
2013/1807; B02C 2013/1857; B02C
2013/1864; B30B 9/00;

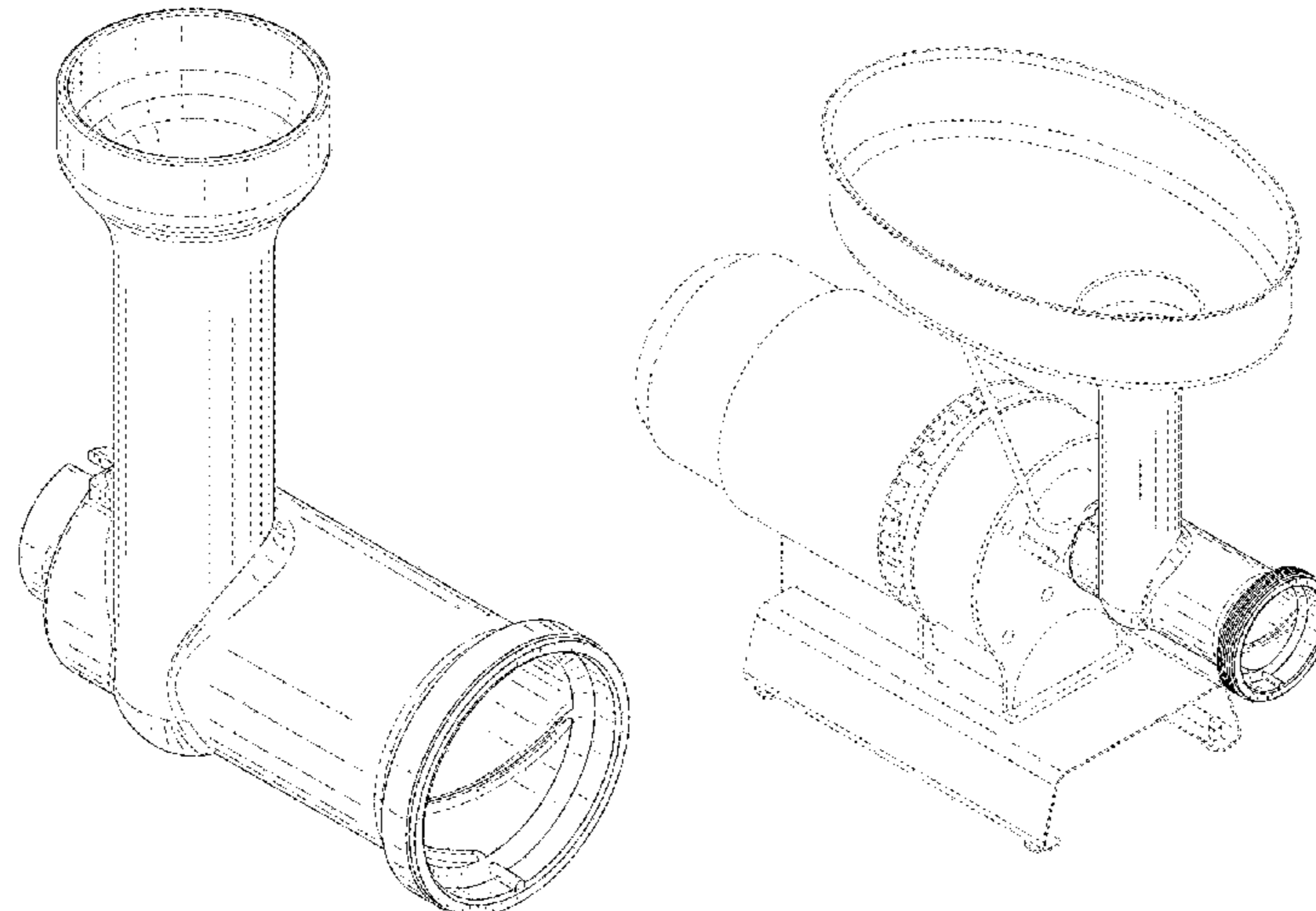
(Continued)

(56) **References Cited**
U.S. PATENT DOCUMENTS
1,942,082 A 1/1934 **Blancalana**
2,526,498 A 10/1950 **Pacciano, Jr.**
2,665,724 A 1/1954 **Lundell**
(Continued)
Primary Examiner — **Ricky Pham**
(74) *Attorney, Agent, or Firm* — **Alexander D. Raring**

(57) **CLAIM**
The ornamental design for a meat grinder with funneled feed chute, as shown and described.

DESCRIPTION
FIG. 1 is a top, front and left side perspective view of funneled feed chute for a meat grinder showing our new design;
FIG. 2 is a front view thereof;
FIG. 3 is a rear view thereof;
FIG. 4 is a right side view thereof;
FIG. 5 is a left side view thereof;
FIG. 6 is a top view thereof;
FIG. 7 is a bottom view thereof;
FIG. 8 is an additional perspective plan view thereof;
FIG. 9 is a top, front and left side perspective view of an embodiment of the funneled feed chute for meat grinder showing our new design;
FIG. 10 is a front view thereof;
FIG. 11 is a rear view thereof;
FIG. 12 is a right side view thereof;
FIG. 13 is a left side view thereof;
FIG. 14 is a top view thereof;
FIG. 15 is a bottom view thereof; and,
FIG. 16 is an additional perspective plan view thereof.
Broken lines illustrate environmental structure. The broken lines in the drawings are included for illustrative purposes only and form no part of the claimed design.

1 Claim, 16 Drawing Sheets



(58) **Field of Classification Search**

CPC B30B 9/16; B30B 9/18; B30B 9/20; B30B
9/26; B30B 9/205; B30B 9/207

See application file for complete search history.

(56) **References Cited**

U.S. PATENT DOCUMENTS

2,792,042	A	5/1957	Dwyer et al.	
3,771,729	A	11/1973	Frable	
4,180,229	A	12/1979	Schulein	
6,460,791	B1	10/2002	Stehr	
7,207,510	B2	4/2007	Wong	
D601,391	S *	10/2009	Chiang D7/665
D610,396	S *	2/2010	Chiang D7/372
D712,696	S *	9/2014	Huber D7/372
D721,548	S *	1/2015	Jin D7/665
D775,491	S *	1/2017	Brinkley D7/372
D811,158	S *	2/2018	Yuan D7/372
D885,822	S *	6/2020	McConnell D7/372
2003/0129274	A1	7/2003	Garwood	
2007/0040055	A1	2/2007	Riendeau et al.	
2012/0216687	A1 *	8/2012	Trovinger A23N 1/02 99/510
2012/0227592	A1 *	9/2012	Lim A47J 19/025 99/486
2013/0074707	A1 *	3/2013	Asbury A47J 19/02 99/495
2016/0143484	A1 *	5/2016	Palmer B02C 18/301 241/82.1
2016/0332166	A1 *	11/2016	Chen B02C 18/30
2018/0099289	A1 *	4/2018	Moore B02C 18/2291

* cited by examiner

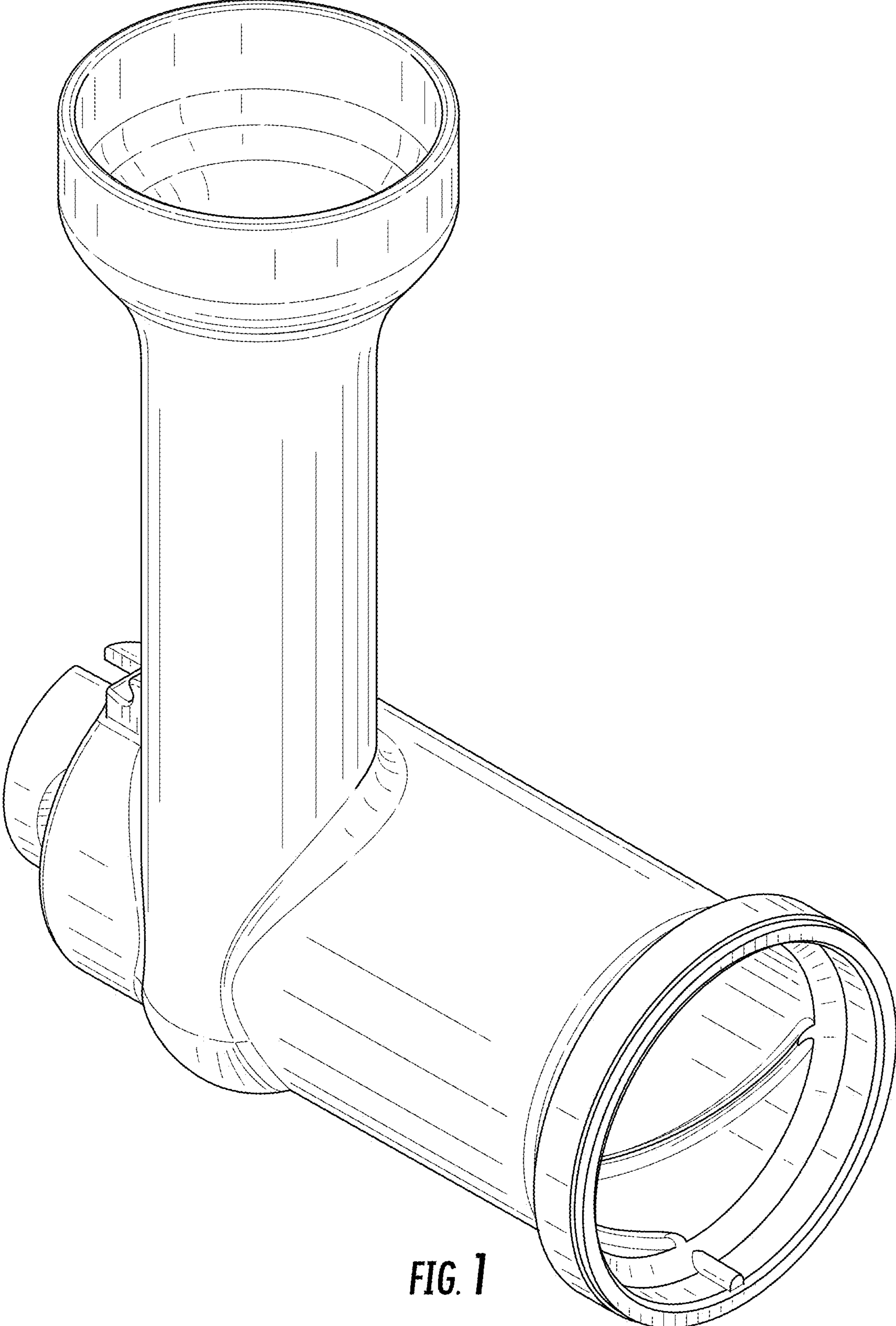


FIG. 1

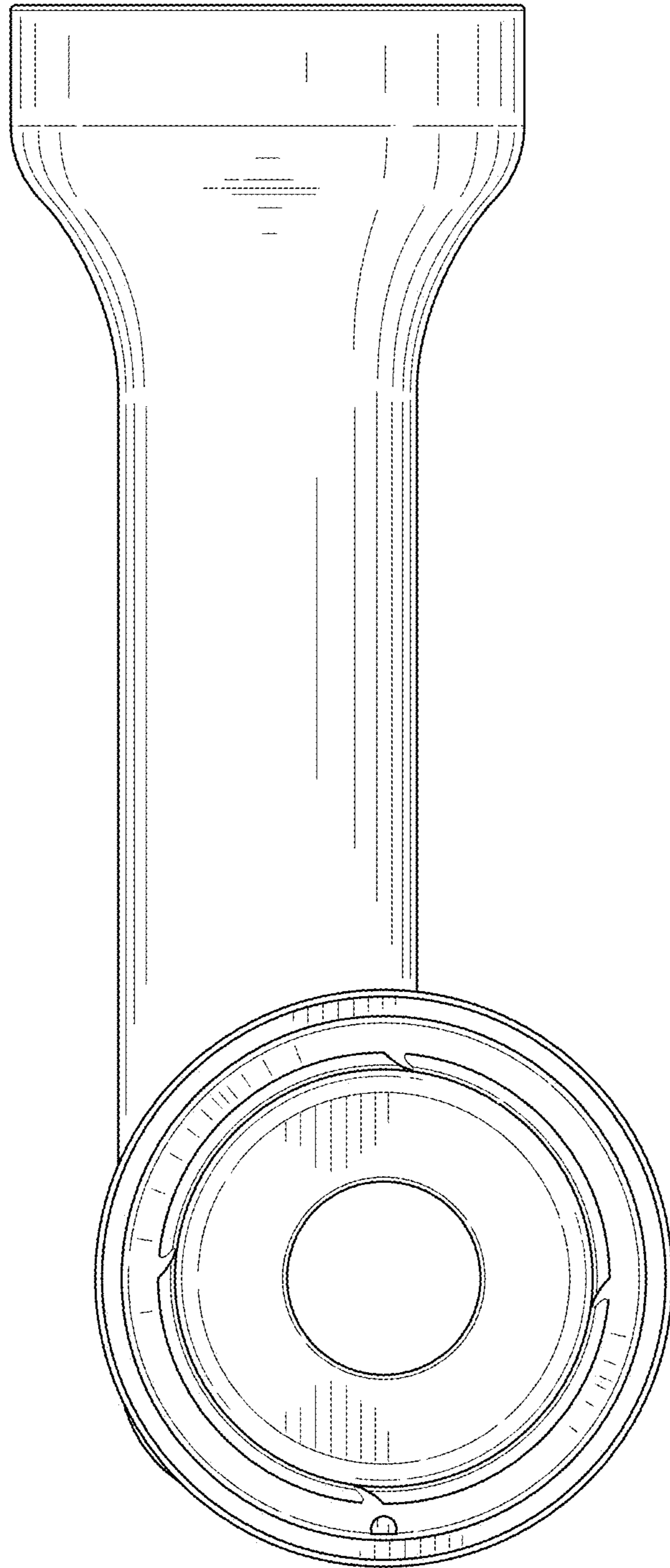


FIG. 2

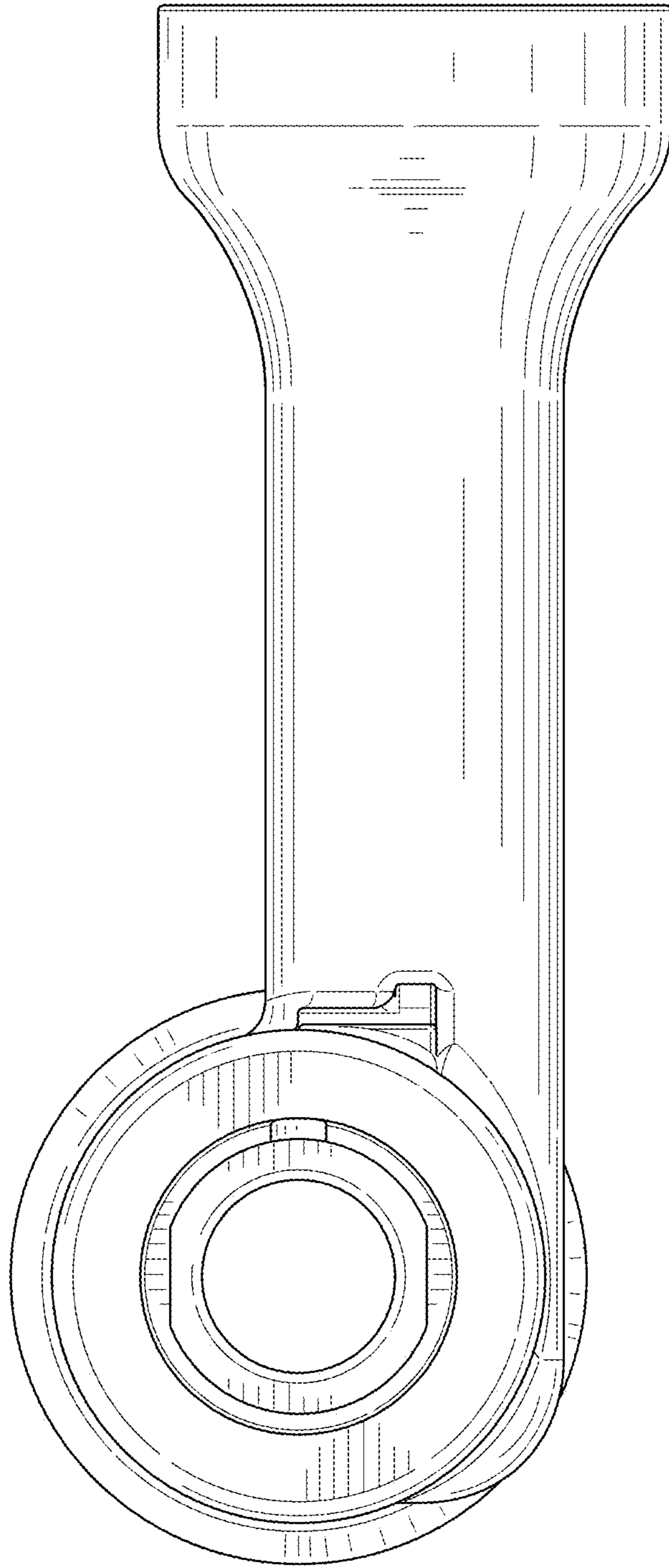


FIG. 3

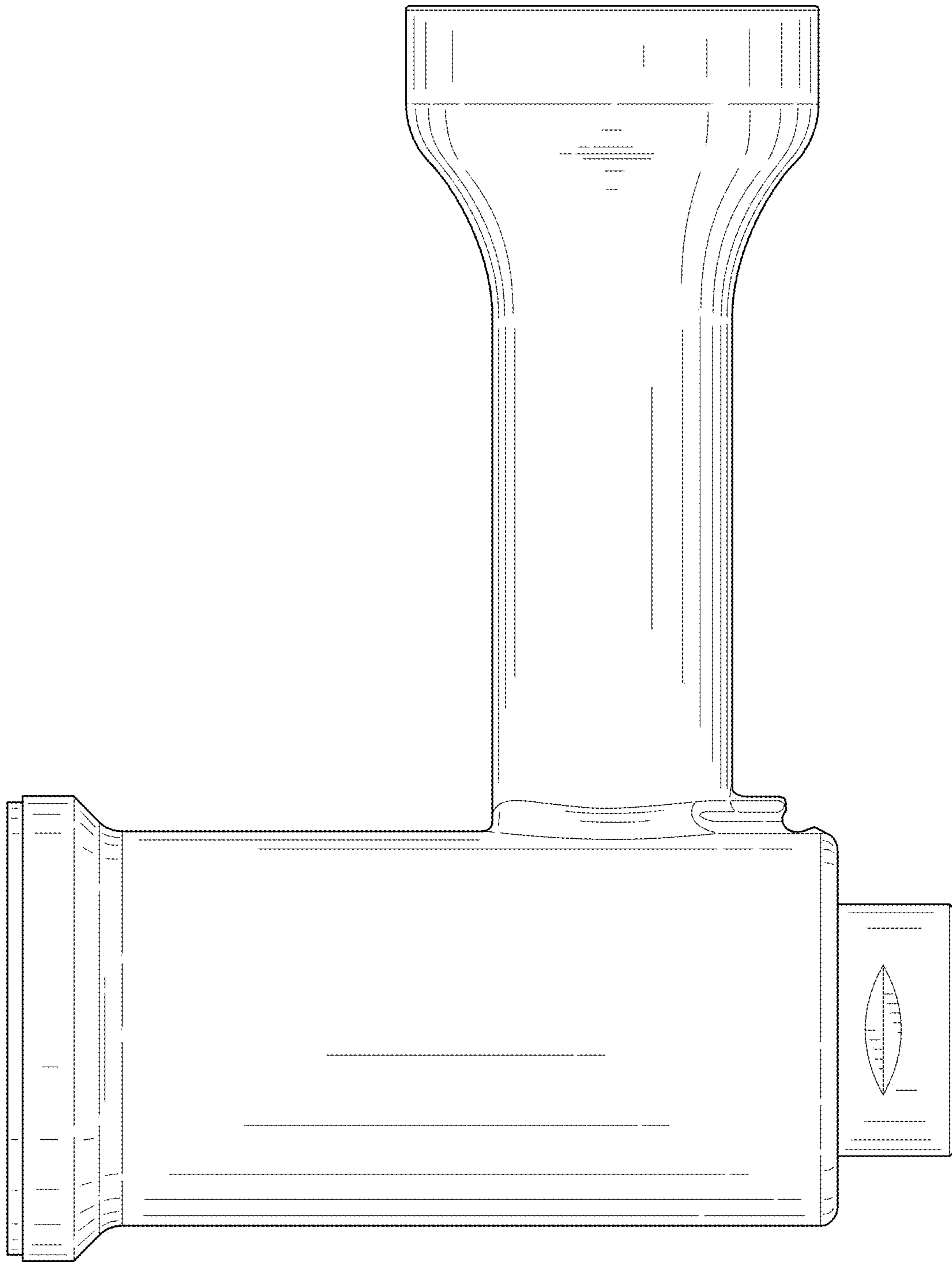


FIG. 4

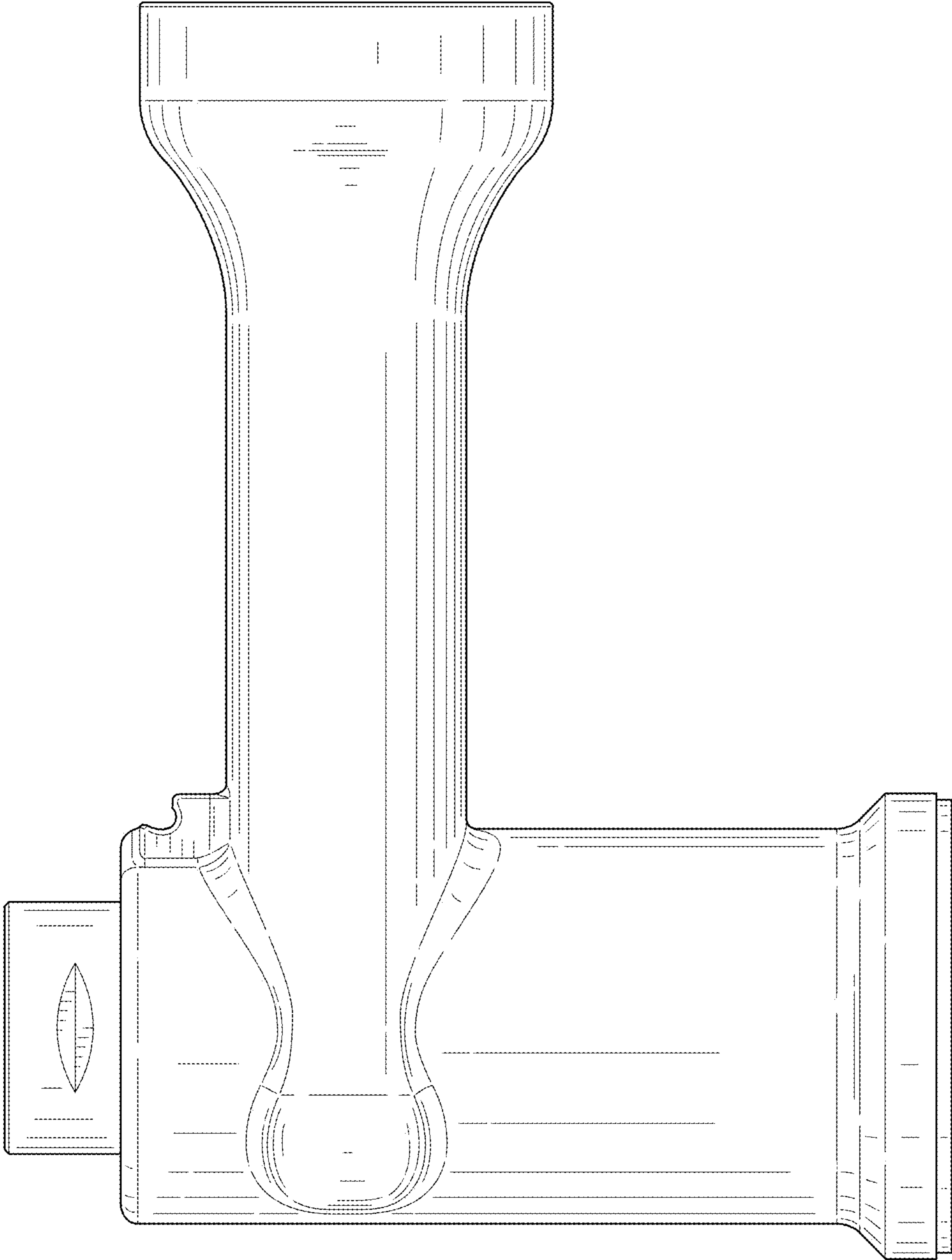


FIG. 5

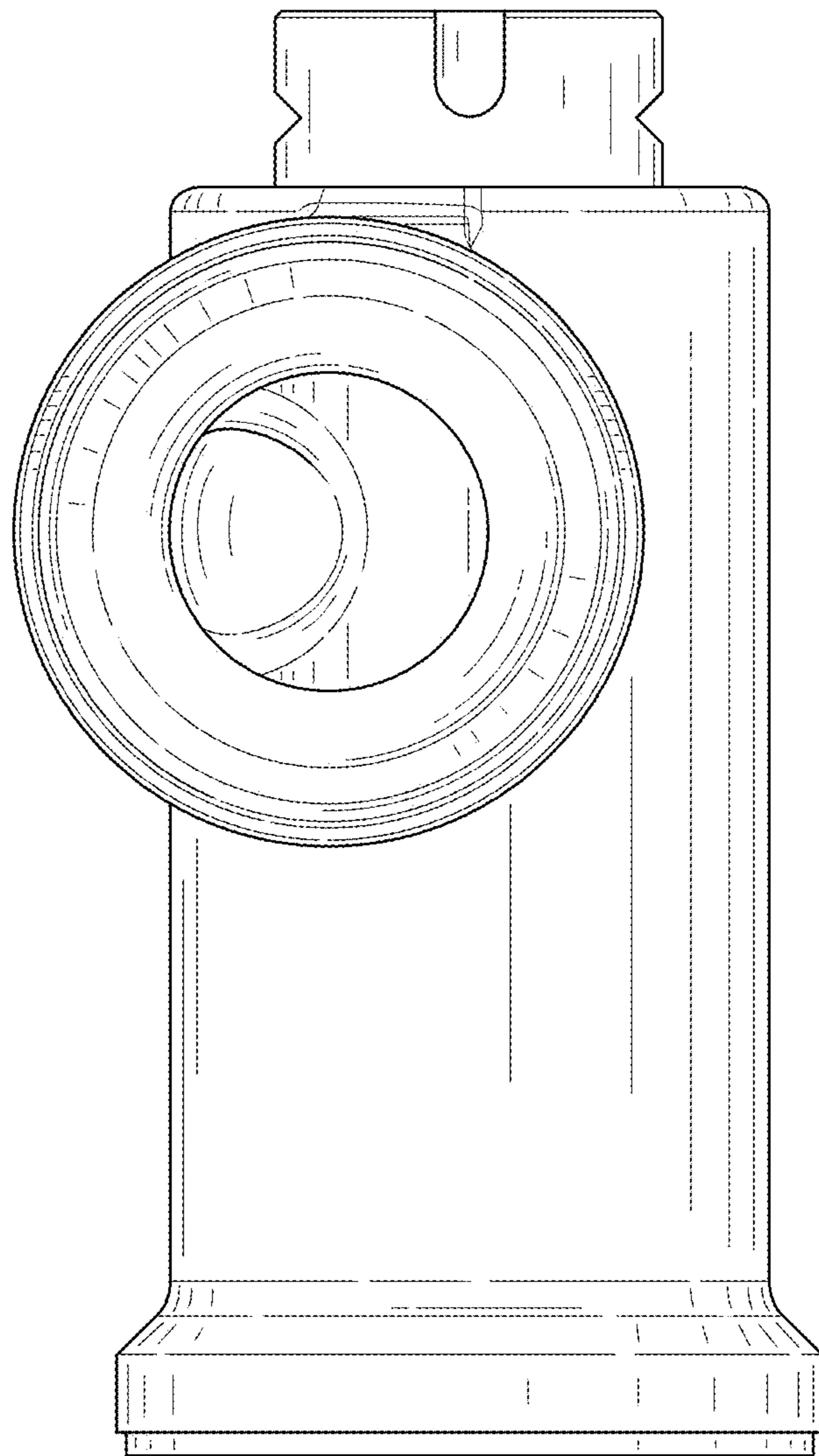


FIG. 6

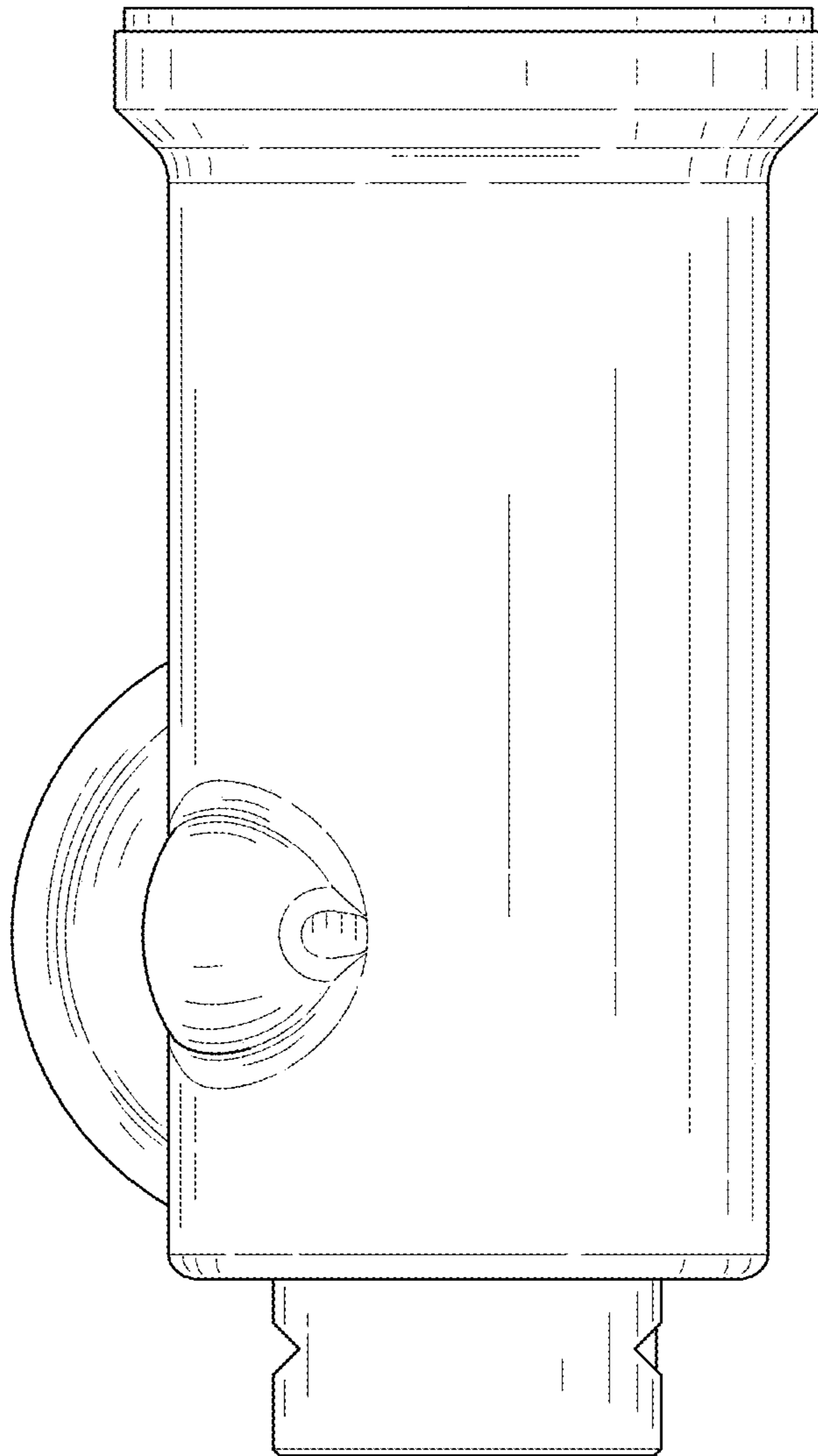


FIG. 7

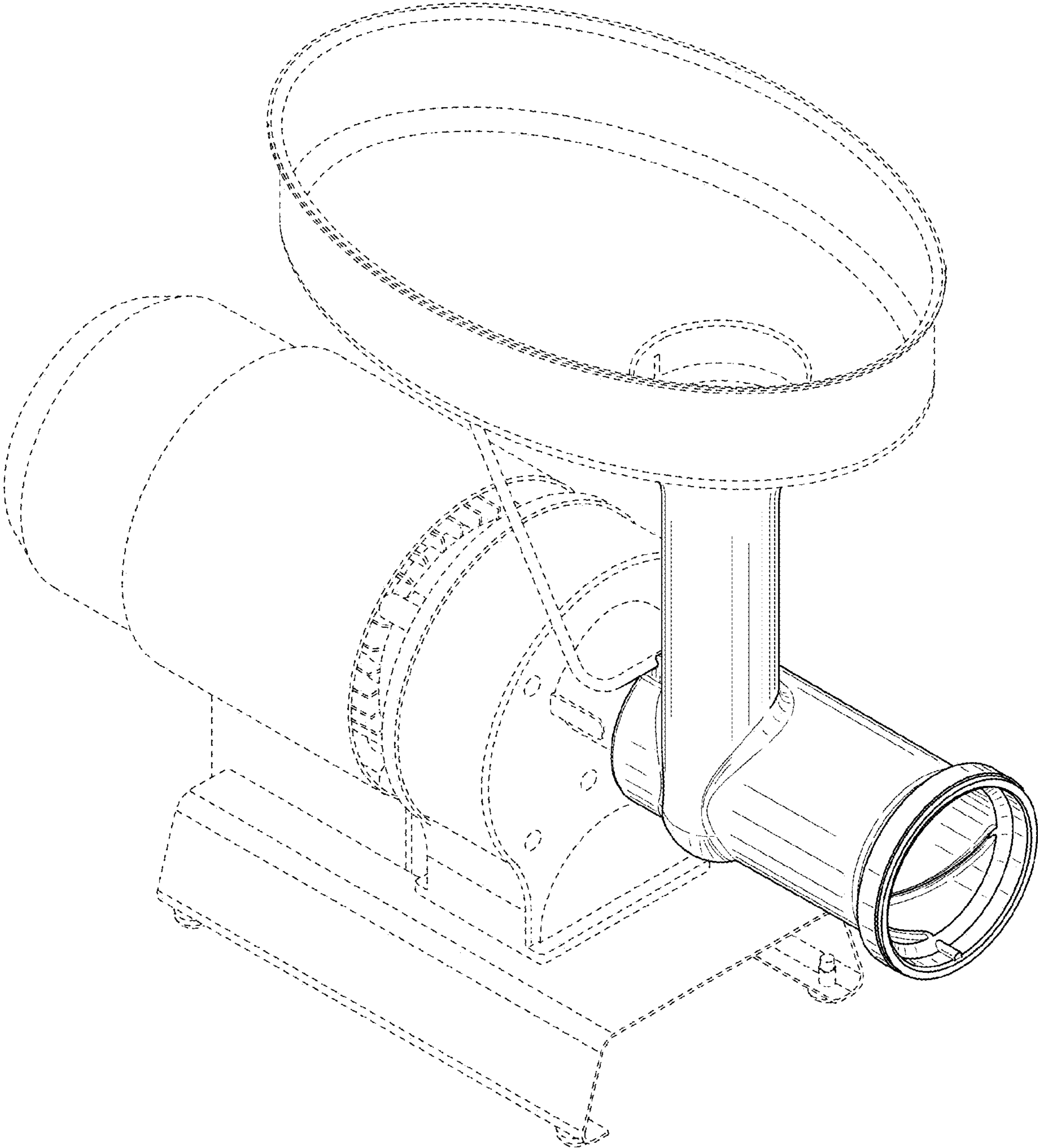


FIG. 8

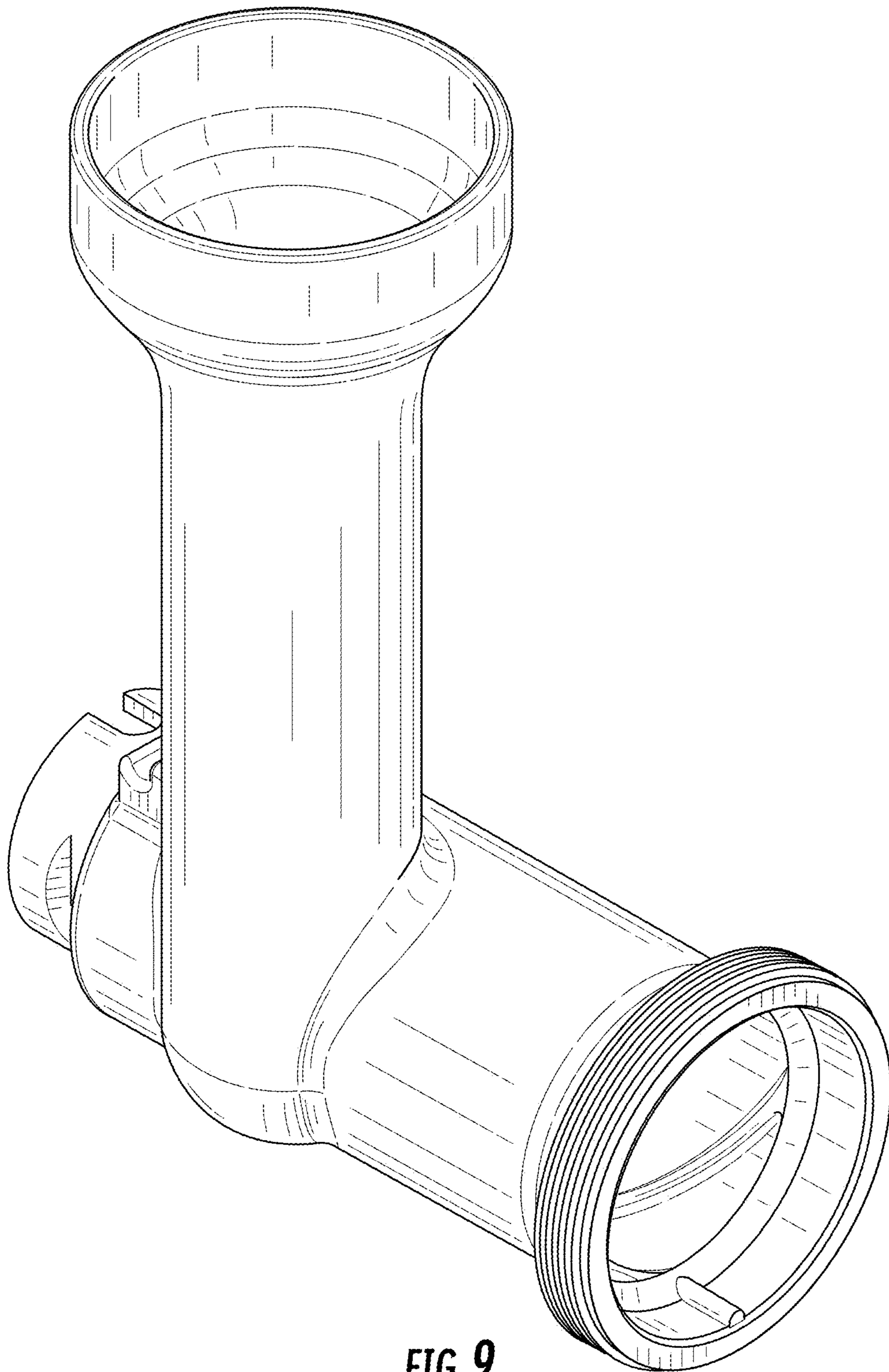


FIG. 9

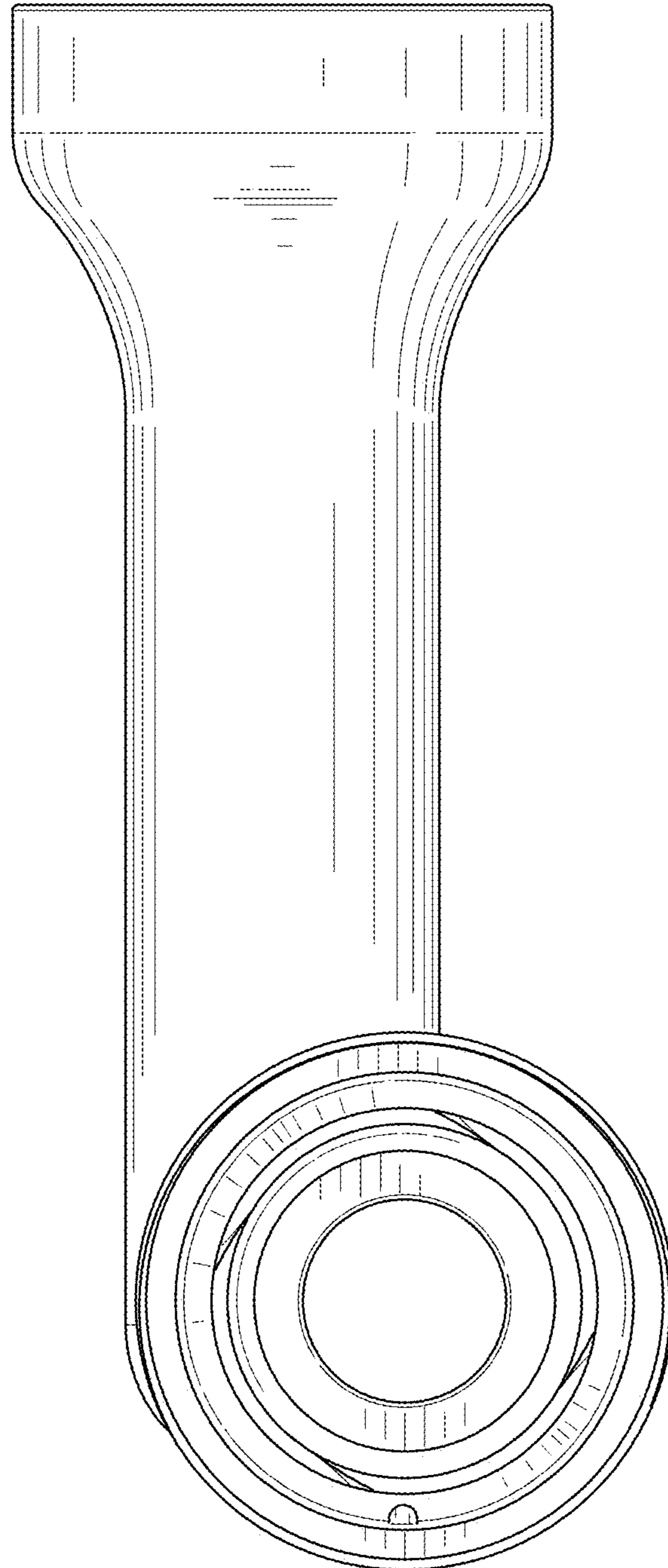


FIG. 10

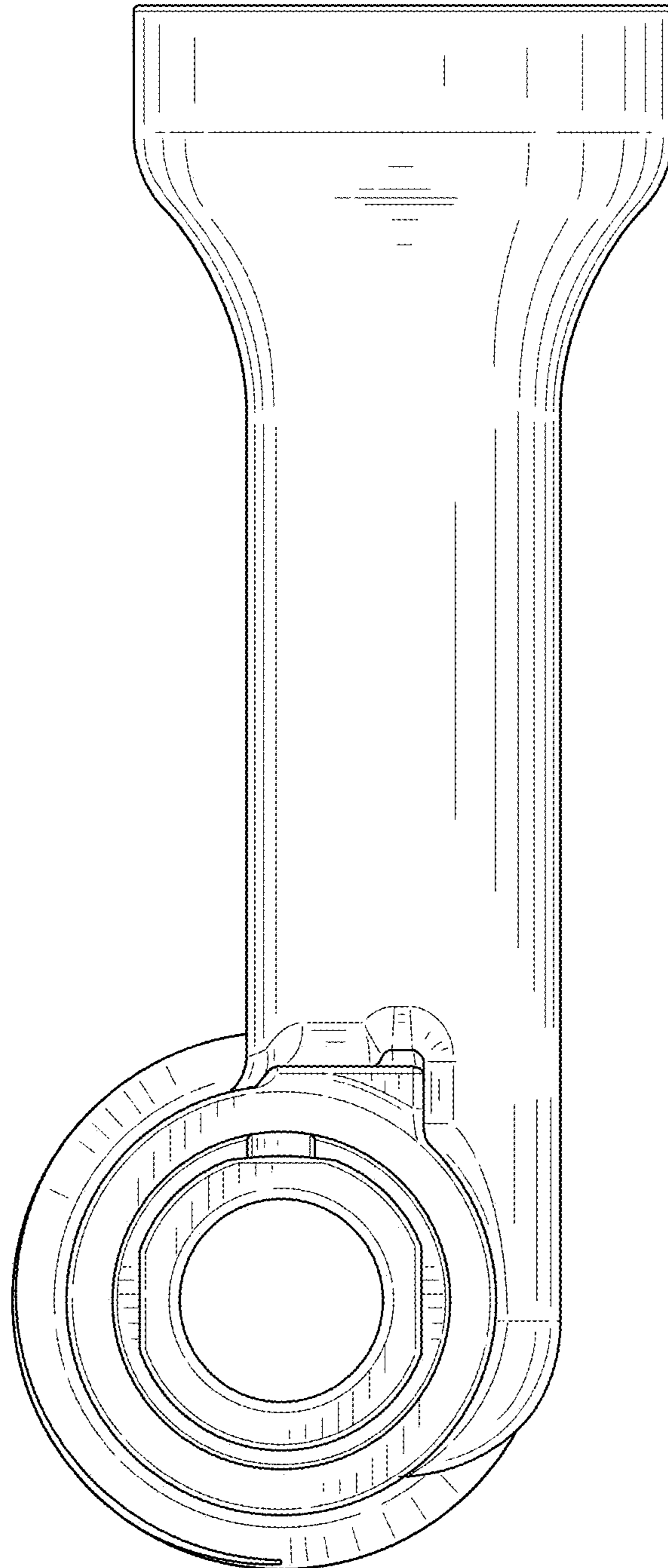


FIG. 11

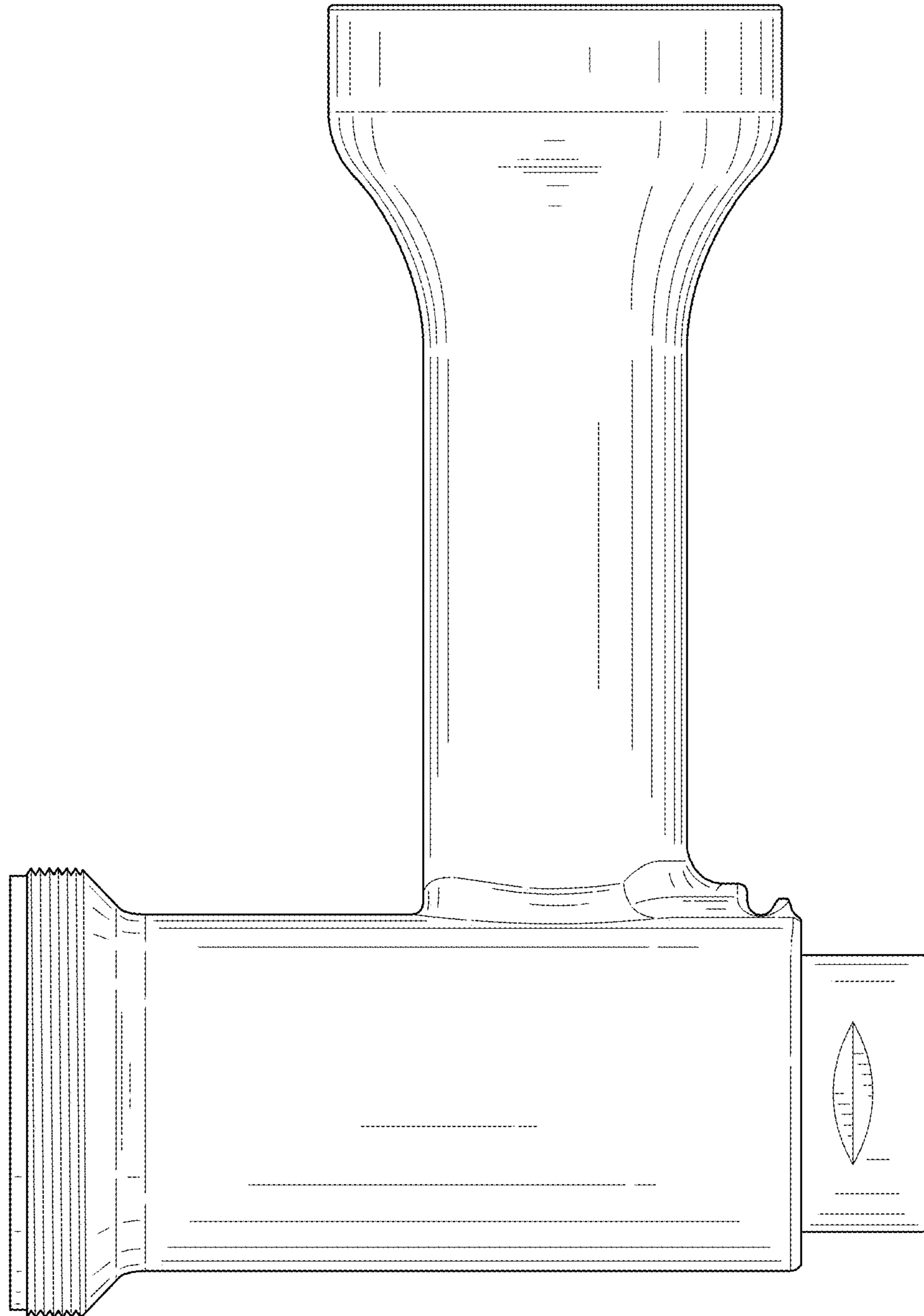


FIG. 12

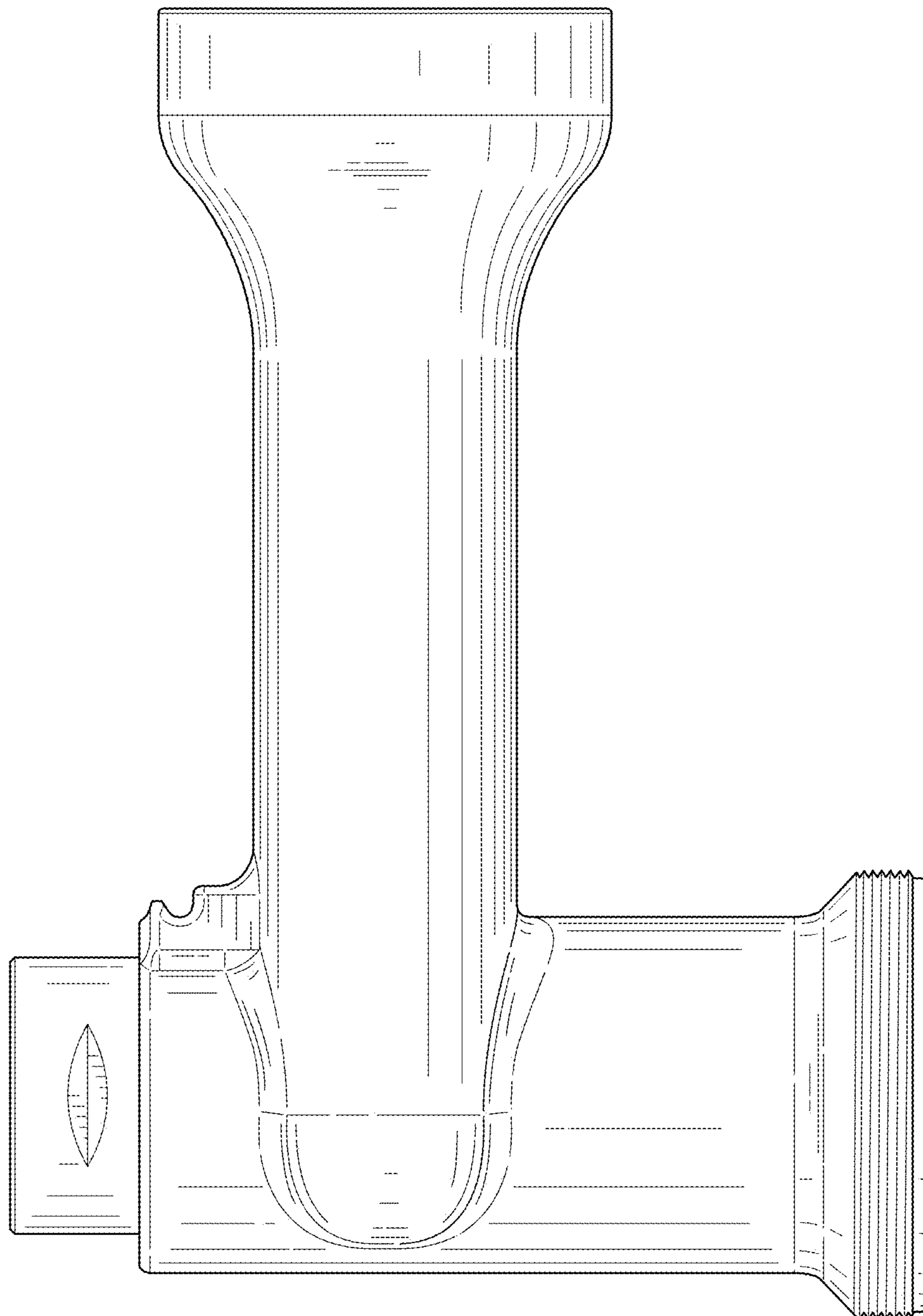


FIG. 13

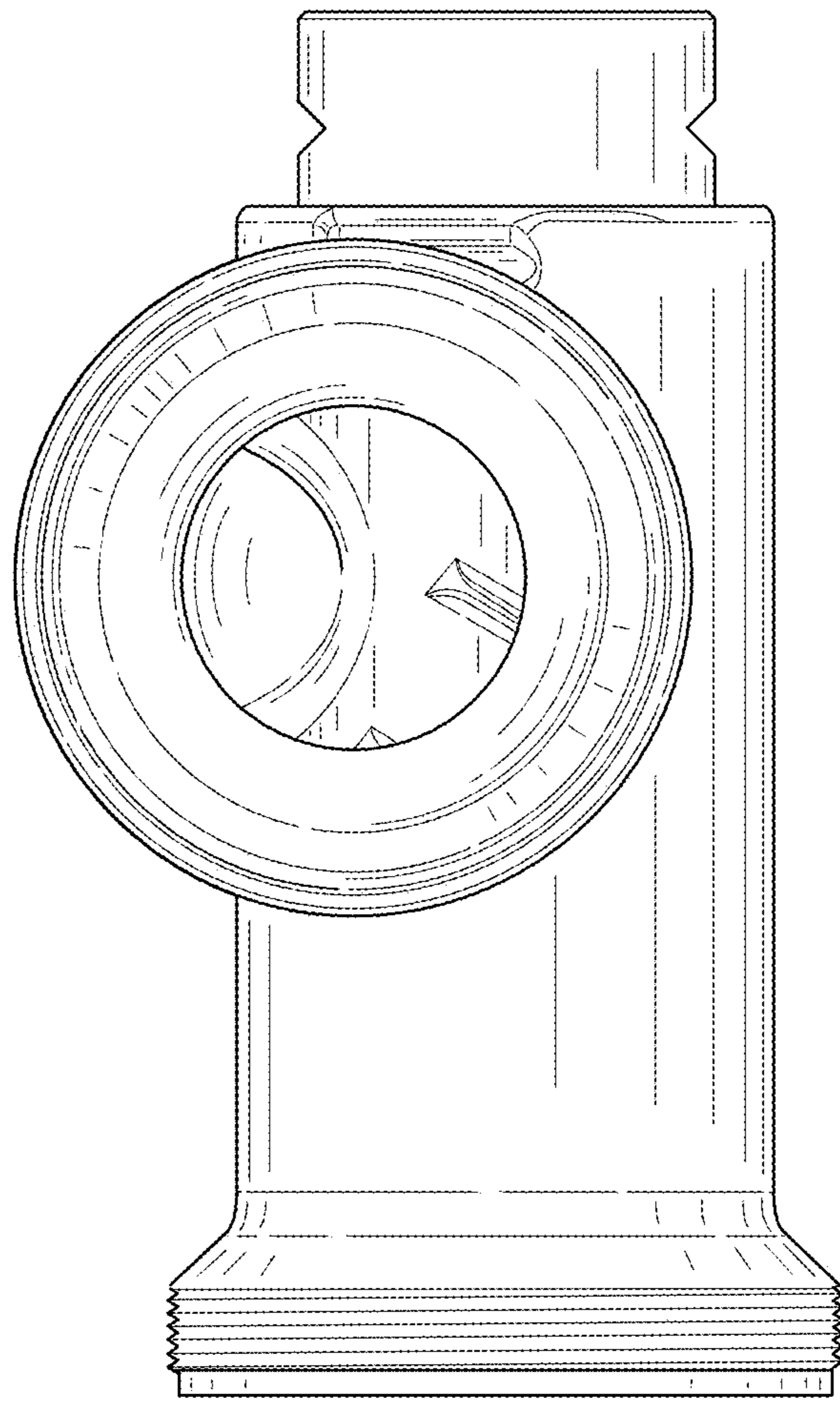


FIG. 14

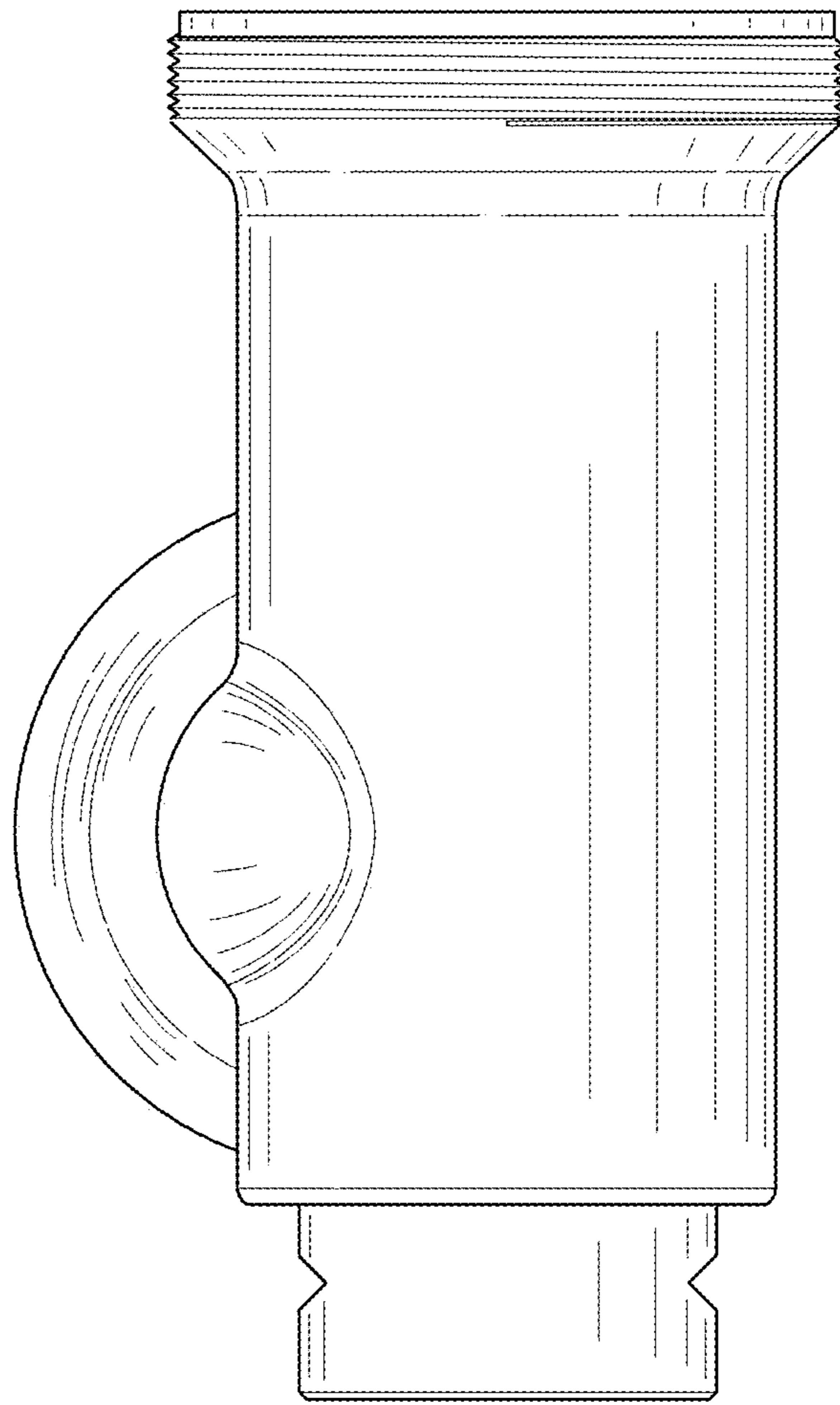


FIG. 15

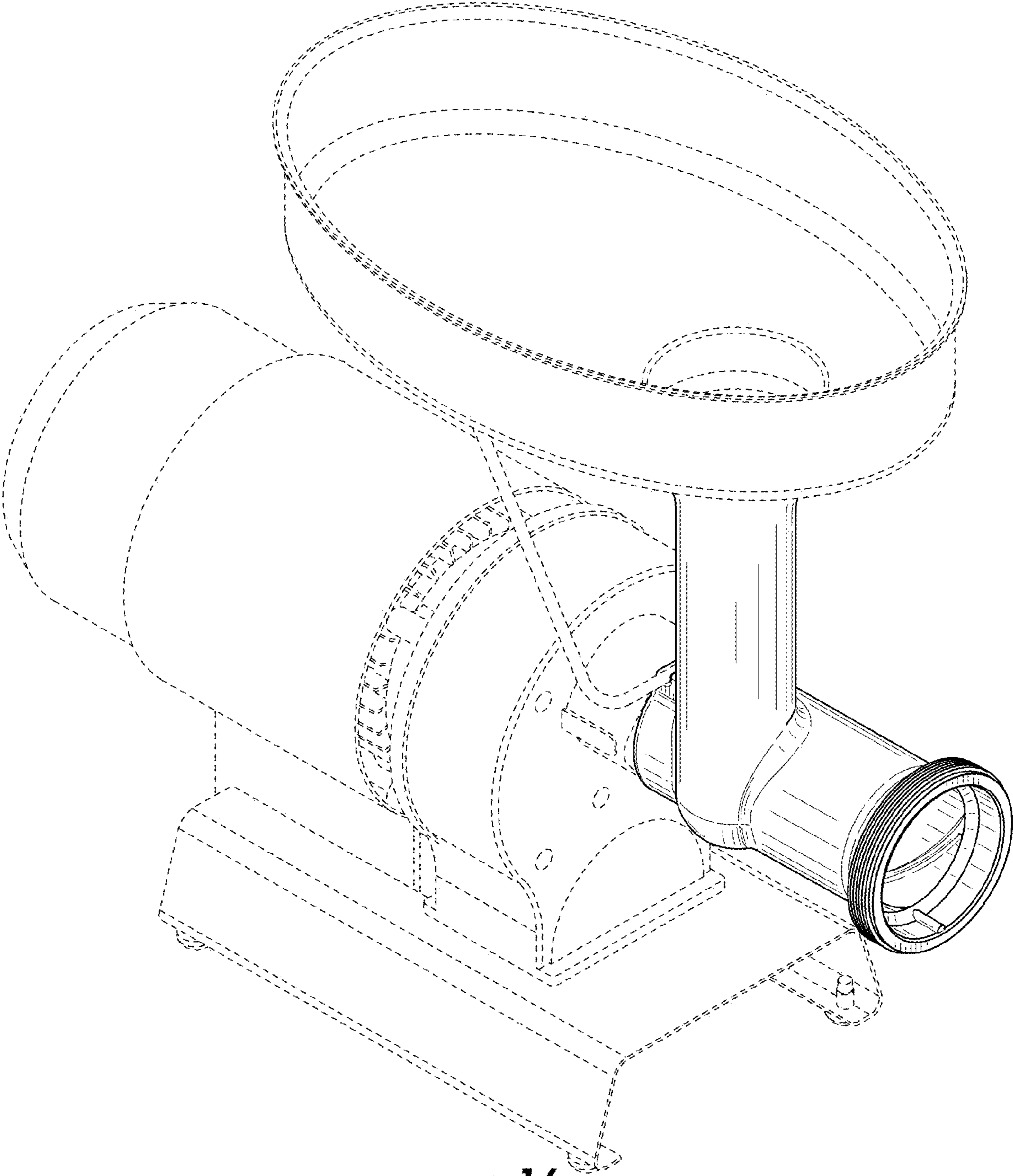


FIG. 16