



US00D932235S

(12) **United States Design Patent**  
**Sarnoff et al.**

(10) **Patent No.:** **US D932,235 S**

(45) **Date of Patent:** **\*\* Oct. 5, 2021**

(54) **PAN WITH LID**

(71) Applicant: **HFA, INC.**, Wheeling, IL (US)

(72) Inventors: **Brad Sarnoff**, Highland Park, IL (US);  
**Norton Sarnoff**, Boca Raton, FL (US);  
**Raj Patel**, Kildeer, IL (US)

(73) Assignee: **HFA, Inc.**, Wheeling, IL (US)

(\*\*) Term: **15 Years**

(21) Appl. No.: **29/758,301**

(22) Filed: **Nov. 13, 2020**

**Related U.S. Application Data**

(60) Division of application No. 29/745,121, filed on Aug. 4, 2020, and a continuation-in-part of application No. (Continued)

(51) **LOC (13) Cl.** ..... **07-02**

(52) **U.S. Cl.**  
USPC ..... **D7/359**

(58) **Field of Classification Search**  
USPC ..... D7/323, 331, 352, 354, 355, 356, 357,  
D7/359, 360, 361, 362, 363, 364, 365,  
(Continued)

(56) **References Cited**

**U.S. PATENT DOCUMENTS**

D415,420 S 10/1999 Chen  
D450,580 S 11/2001 Littlejohn  
(Continued)

**FOREIGN PATENT DOCUMENTS**

CN 304405155 \* 12/2017  
CN 306063995 \* 9/2020  
(Continued)

**OTHER PUBLICATIONS**

48oz Round Black Meal Prep Containers, announced © 1993-2021 [online], retrieved Jun. 17, 2021, retrieved from internet, http://

www.pak-man.com/48-oz-black-microwavable-round-container-9-inch.html.\*

(Continued)

*Primary Examiner* — Dana K Weiland

*Assistant Examiner* — Messina L Smith

(74) *Attorney, Agent, or Firm* — Adam K. Sacharoff;  
Much Shelist, P.C.

(57) **CLAIM**

The ornamental design for a pan with lid, as shown and described.

**DESCRIPTION**

FIG. 1 is a front, side perspective view of a pan with lid showing the new design in a first embodiment;  
FIG. 2 is a left side view thereof;  
FIG. 3 is a right side view thereof;  
FIG. 4 is a front view thereof;  
FIG. 5 is a rear side view thereof;  
FIG. 6 is a top plan view thereof;  
FIG. 7 is a bottom plan view thereof;  
FIG. 8 is a bottom perspective view thereof;  
FIG. 9 is an exploded front, side perspective view of the pan with lid;  
FIG. 10 is a bottom perspective view thereof;  
FIG. 11 is a side view thereof;  
FIG. 12 is a top plan view thereof;  
FIG. 13 is a bottom plan view thereof;  
FIG. 14 is a front, side perspective of the pan with lid shown in a second embodiment;  
FIG. 15 is a left side view thereof;  
FIG. 16 is a right side view thereof;  
FIG. 17 is a front view thereof;  
FIG. 18 is a rear side view thereof;  
FIG. 19 is a top plan view thereof;  
FIG. 20 is a bottom plan view thereof;  
FIG. 21 is a bottom perspective view thereof;  
FIG. 22 is an exploded front, side perspective view of the pan with lid of FIG. 14;  
FIG. 23 is a bottom perspective view thereof;  
FIG. 24 is a side view thereof;

(Continued)

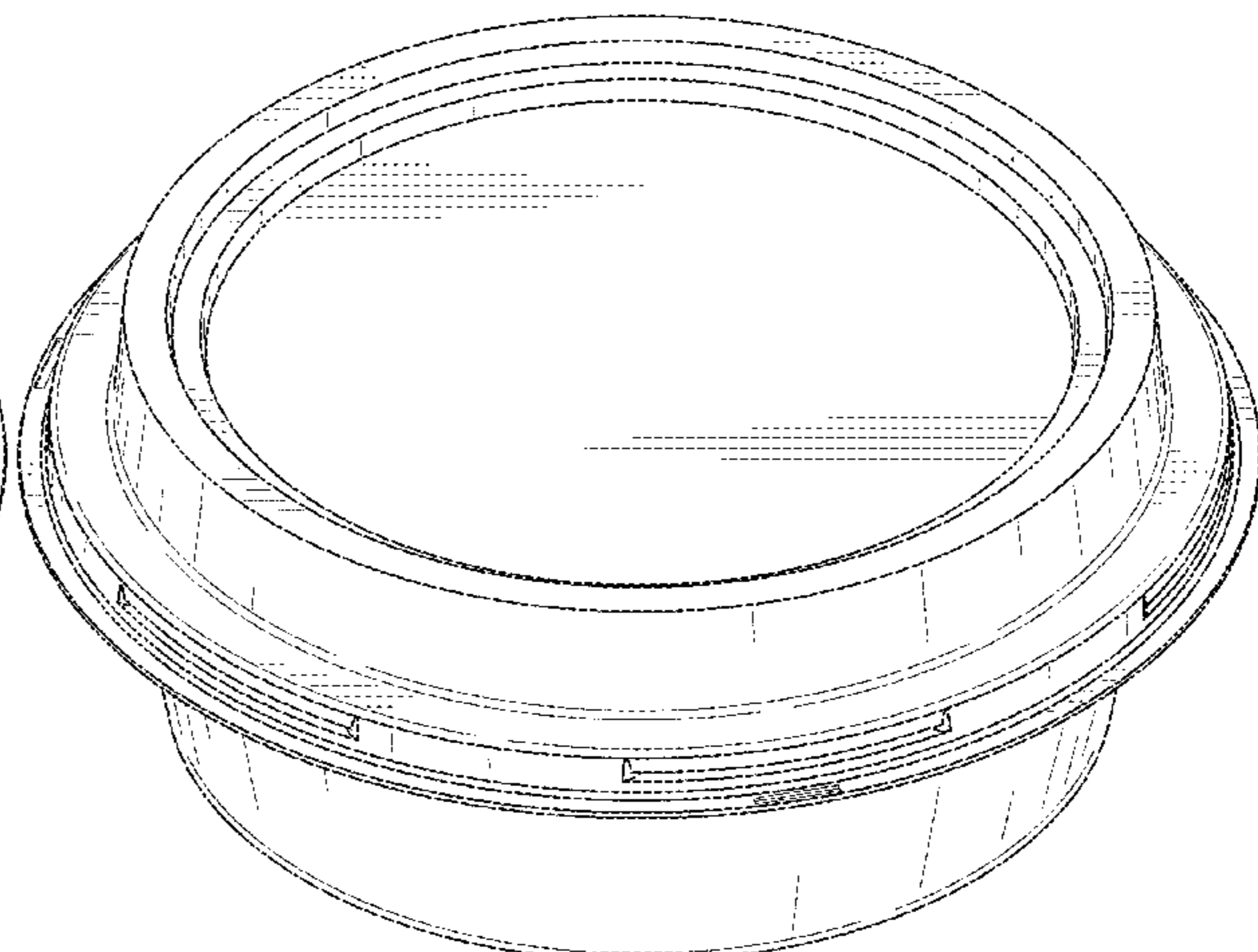
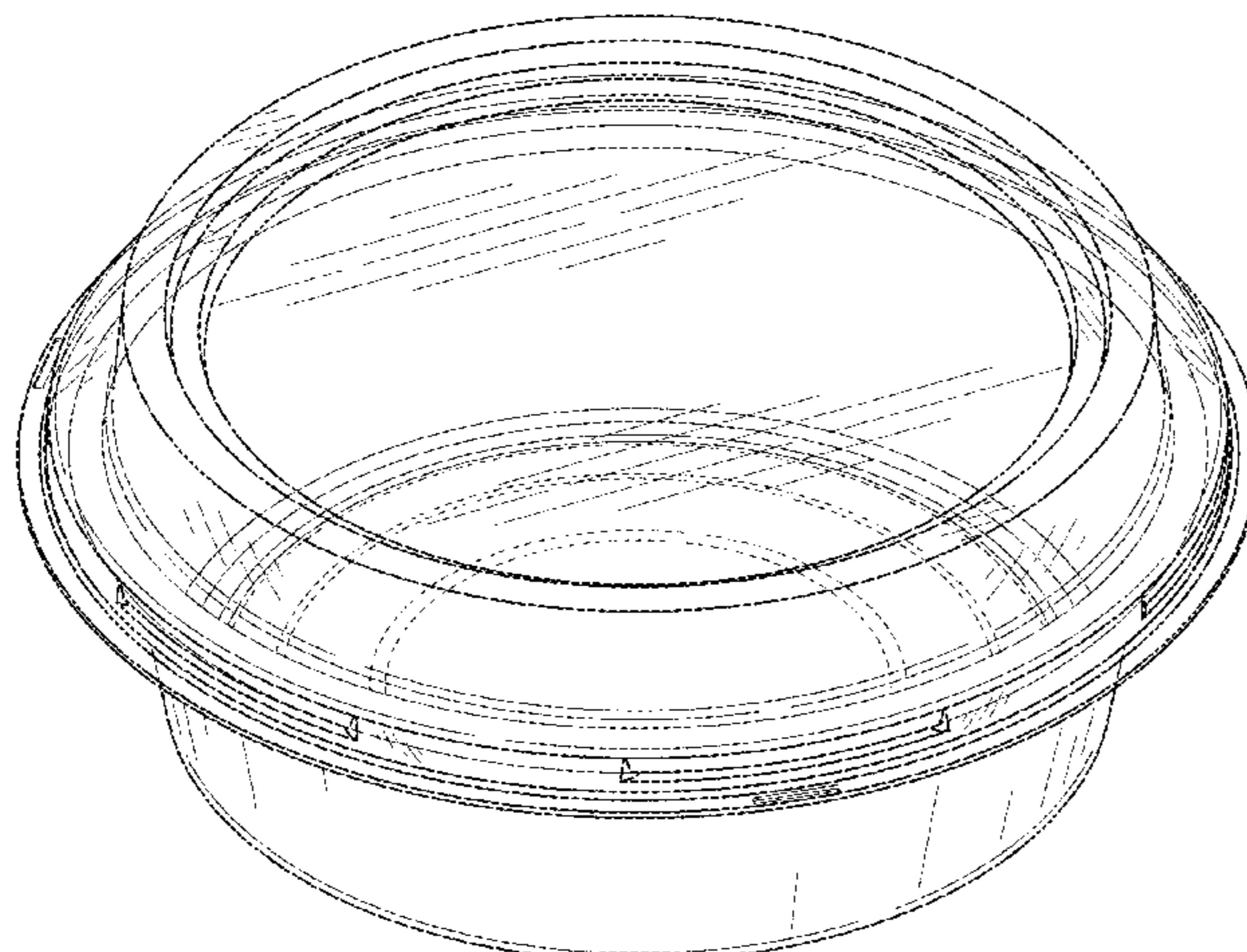


FIG. 25 is a top plan view thereof; and, FIG. 26 is a bottom plan view thereof. The broken lines illustrate portions of the pan that form no part of the claimed design. The surface shading lines show contour and/or distinguish between areas and form no part of the claimed design. The surface shading lines are not surface ornamentation.

**1 Claim, 22 Drawing Sheets**

**Related U.S. Application Data**

29/708,717, filed on Oct. 9, 2019, now abandoned, which is a division of application No. 29/641,313, filed on Mar. 21, 2018, now Pat. No. Des. 876,880.

(58) **Field of Classification Search**

USPC ..... D7/366, 402, 409, 410; D3/304; D9/736, 749, 755, 758, 760, 456; D1/105, 123, 124  
 CPC .. A21B 3/00; A21B 3/13; A21B 3/131; A21B 3/132; A21B 3/135; A21B 3/136; A21B 3/137; A21B 3/15; A21B 5/00; A21B 5/02; A21B 5/04; A47J 29/00; A47J 29/02; A47J 29/06; A47J 36/00; A47J 36/02; A47J 36/06; A47J 36/16; A47J 36/24; A47J 36/022; A47J 36/027; A47J 37/00; A47J 37/01; A47J 37/04; A47J 37/06; A47J 37/10; A47J 37/07; A47J 43/20

See application file for complete search history.

(56) **References Cited**

U.S. PATENT DOCUMENTS

D474,078 S \* 5/2003 Sarnoff ..... D7/354  
 D475,621 S 6/2003 Buchalski  
 7,055,712 B2 6/2006 Tang  
 D549,050 S \* 8/2007 Spencer ..... D7/538  
 D594,324 S 6/2009 Colacitti  
 D594,325 S 6/2009 Colacitti  
 D594,326 S 6/2009 Colacitti  
 D598,744 S 8/2009 Shields  
 D606,368 S 12/2009 Wu  
 D634,618 S \* 3/2011 Colacitti ..... D9/425  
 D664,033 S \* 7/2012 Liang ..... D9/428  
 D680,861 S 4/2013 Chen  
 D681,449 S 5/2013 Sneed  
 D687,705 S \* 8/2013 Krupa ..... D9/428

D730,727 S \* 6/2015 Chen ..... D9/500  
 D807,704 S 1/2018 Epstein  
 D819,392 S 6/2018 Mattei  
 D820,027 S 6/2018 Weernink  
 D830,110 S 10/2018 Mirchandani  
 D838,585 S 1/2019 Kui  
 D854,381 S 7/2019 Yang  
 D871,834 S \* 1/2020 Sarnoff ..... D7/392.1  
 D876,879 S \* 3/2020 Sarnoff ..... D7/359  
 D876,880 S \* 3/2020 Sarnoff ..... D7/359  
 D911,102 S \* 2/2021 Ozturk ..... D7/392.1  
 2002/0175171 A1 11/2002 Stewart  
 2007/0034161 A1 2/2007 Thompson

FOREIGN PATENT DOCUMENTS

CN 306166359 \* 11/2020  
 CN 306265671 \* 1/2021  
 CN 306592755 \* 6/2021  
 JP 09051853 2/1997  
 JP 09051853 A \* 2/1997

OTHER PUBLICATIONS

Take away disposable round kraft paper soup bowl, announced © 2018-2021 [online], retrieved Jun. 17, 2021, retrieved from internet, <https://www.kraftpaperbowls.com/sale-11139684-take-away-disposable-round-kraft-paper-soup-bowl-500ml-to-go-container-with-clear-lid.html>.  
 Round Plastic Containers, announced © 2003-2021 [online], retrieved Jun. 17, 2021, retrieved from internet, <https://www.webstaurantstore.com/803/plastic-microwaveable-take-out-containers.html?filter=shape:round>.  
 Round Plastic Container, announced © 1996-2021 [online], retrieved Jun. 17, 2021, retrieved from internet, <https://www.indiamart.com/proddetail/round-plastic-container-ro-40-oz-22662445097.html>.  
 HFA 4227-45-50WDL 7" Round Black and Gold Container with Dome Lid, announced © 2021 [online], retrieved Jun. 17, 2021, retrieved from internet, <https://www.shopatdean.com/products/hfa-4227-45-50wdl-7-round-black-and-gold-container-with-dome-lid>.  
 Handi-Foil 862COMBO 36 oz Snap 'N Stack™ Foil Containers w/ Snap On Dome Lids, announced © 2001-2021 [online], retrieved Jun. 17, 2021, retrieved from internet, <https://www.katom.com/428-862COMBO.html>.  
 Jetfoil Round Disposable Aluminum Foil Pans with Clear Plastic Lids, reviewed Jul. 4, 2016 [online], retrieved Sep. 11, 2019, retrieved from internet, see Quayle Action for full website address.  
 Durable Packaging 8" Round Aluminum Foil Take-Out, reviewed May 16, 2017 [online], retrieved Sep. 11, 2019, retrieved from internet, <https://www.amazon.com/Durable-Packaging-Round-Aluminum-Take-Out/dp/B01JH4GVCU>.  
 U.S. Office Action, Copending U.S. Appl. No. 29/641,313; dated Sep. 19, 2019.

\* cited by examiner

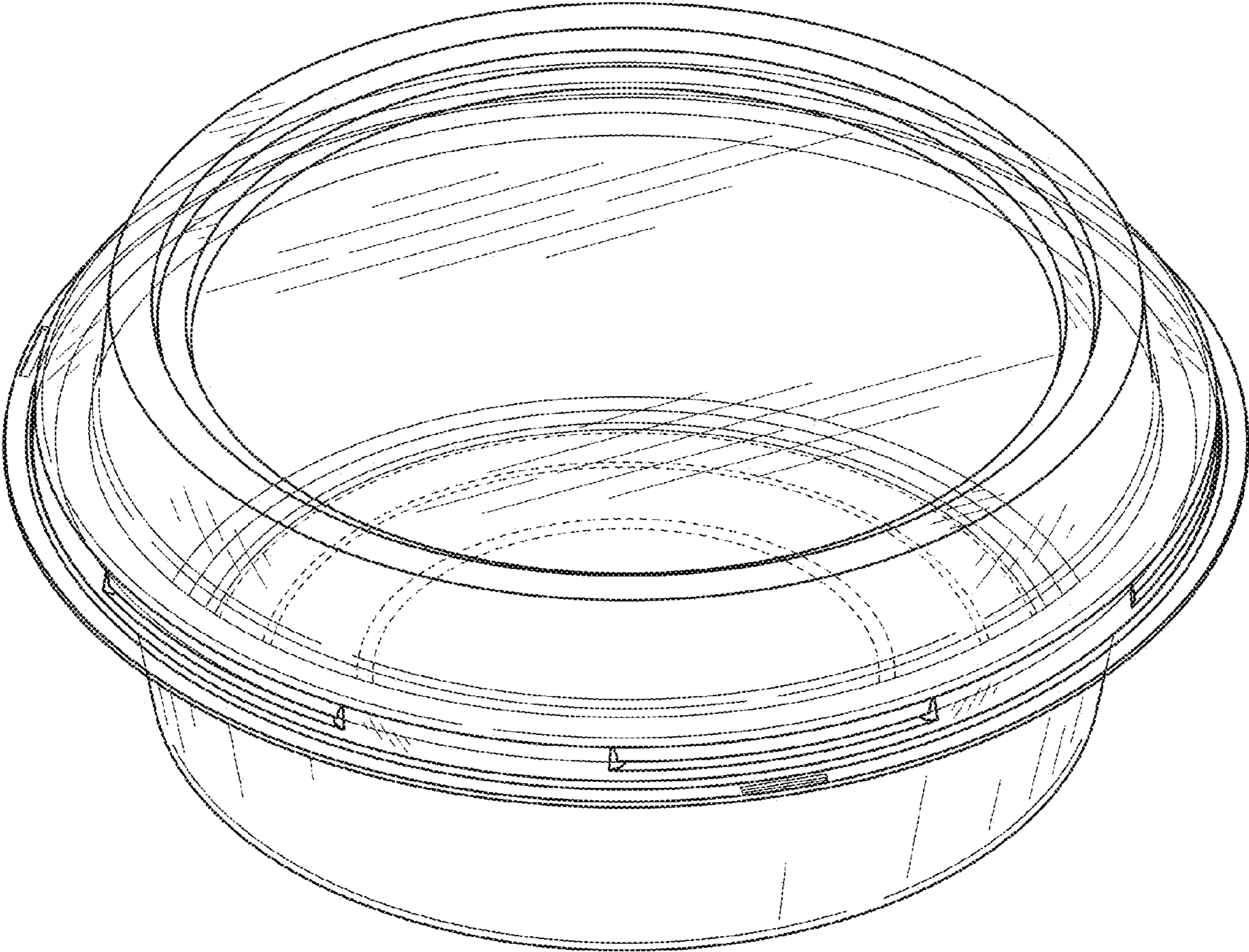


FIG. 1

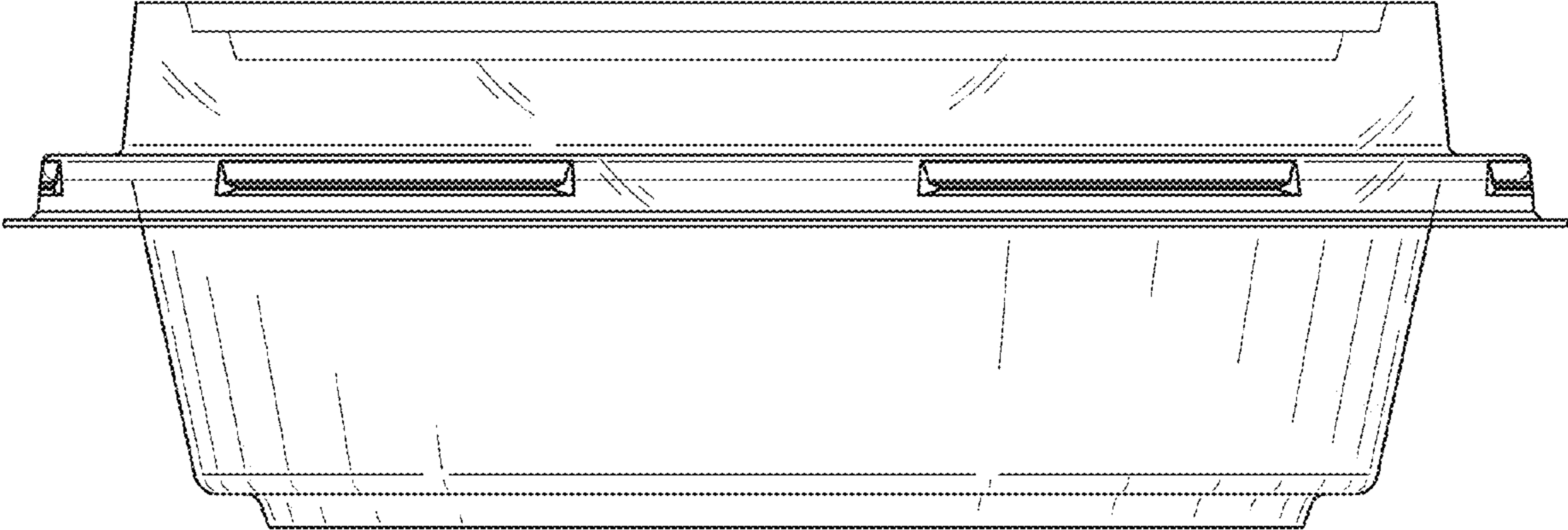


FIG. 2

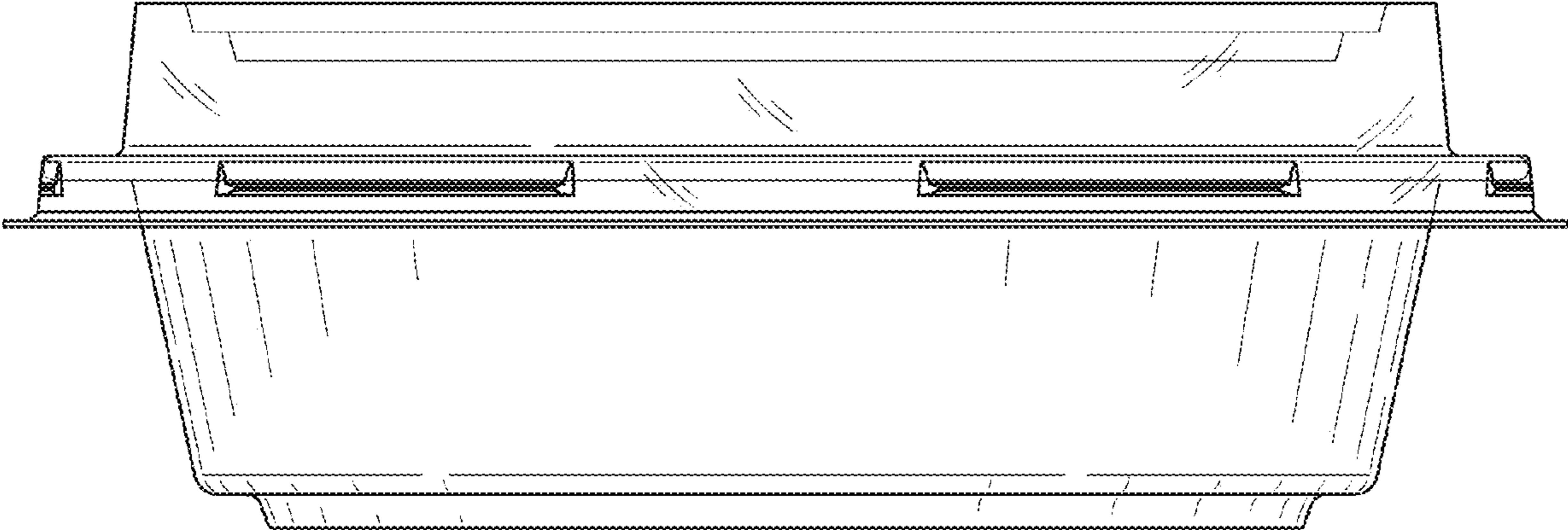


FIG. 3

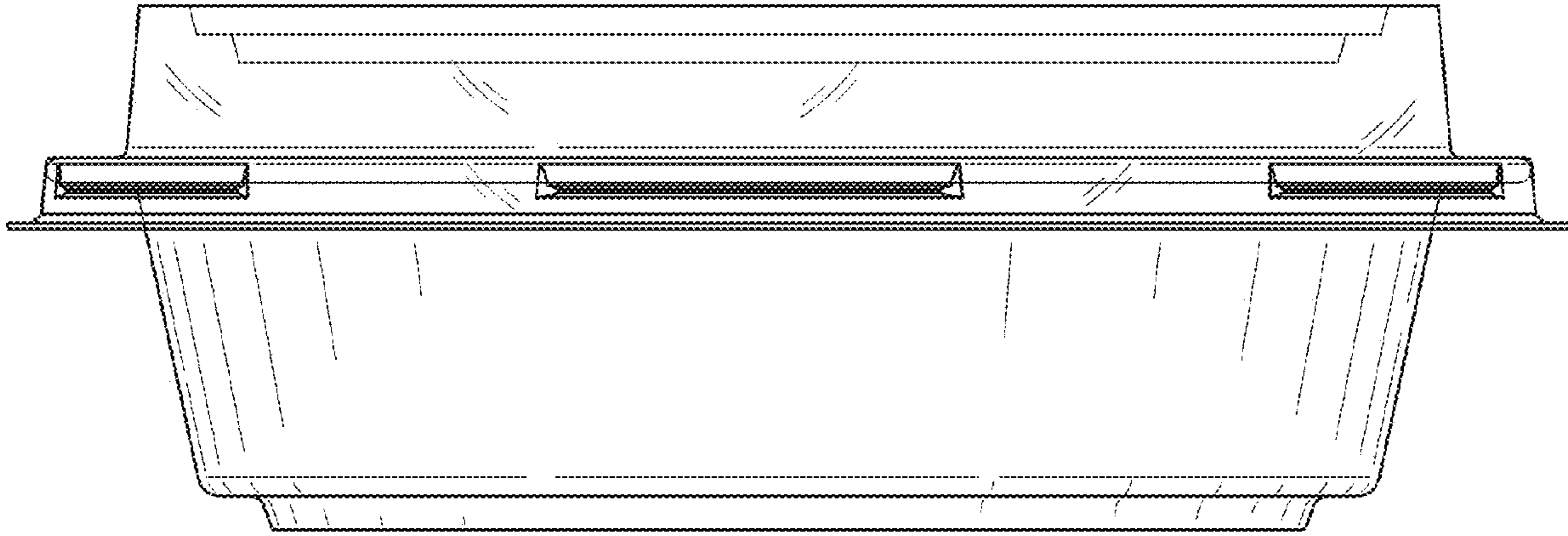


FIG. 4

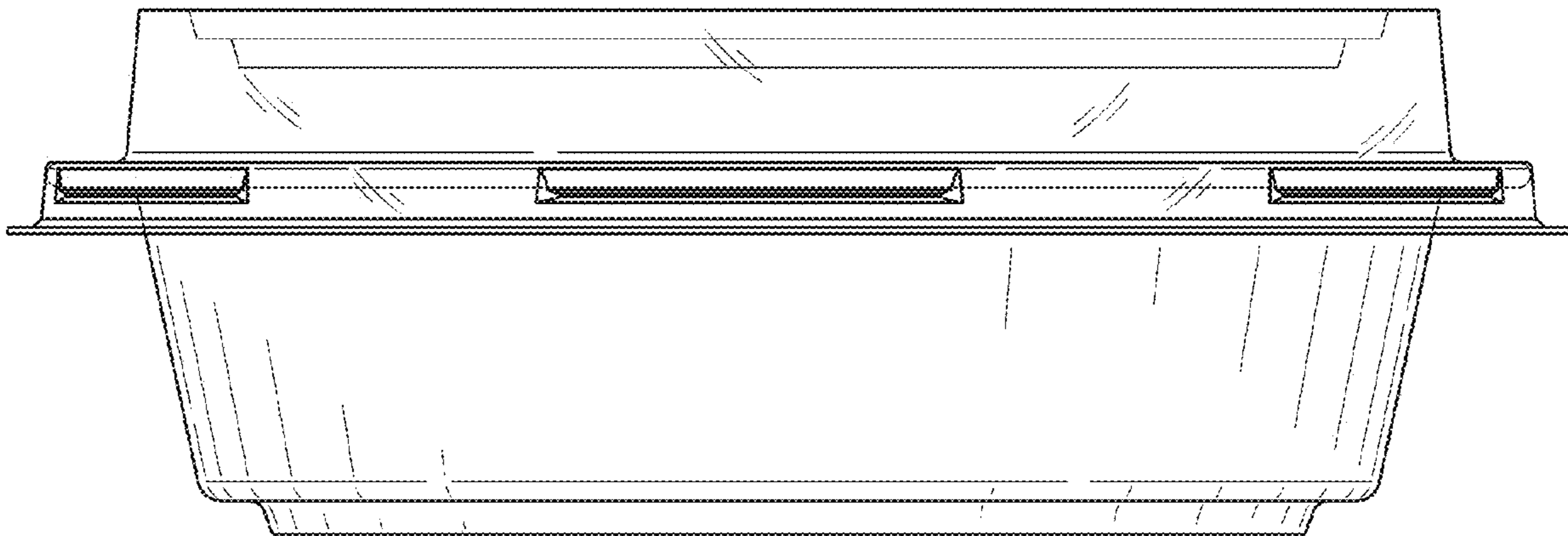


FIG. 5

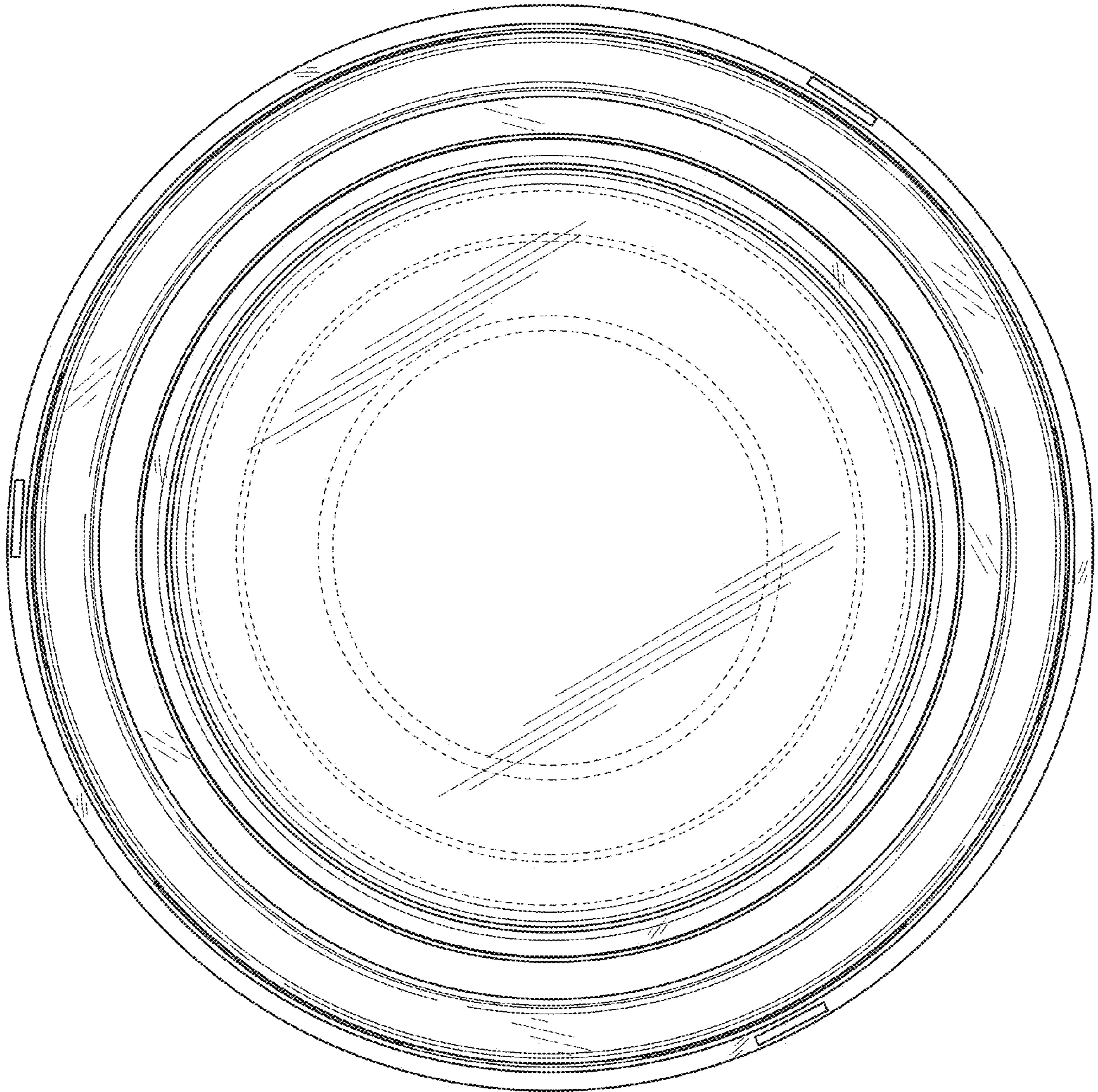


FIG. 6

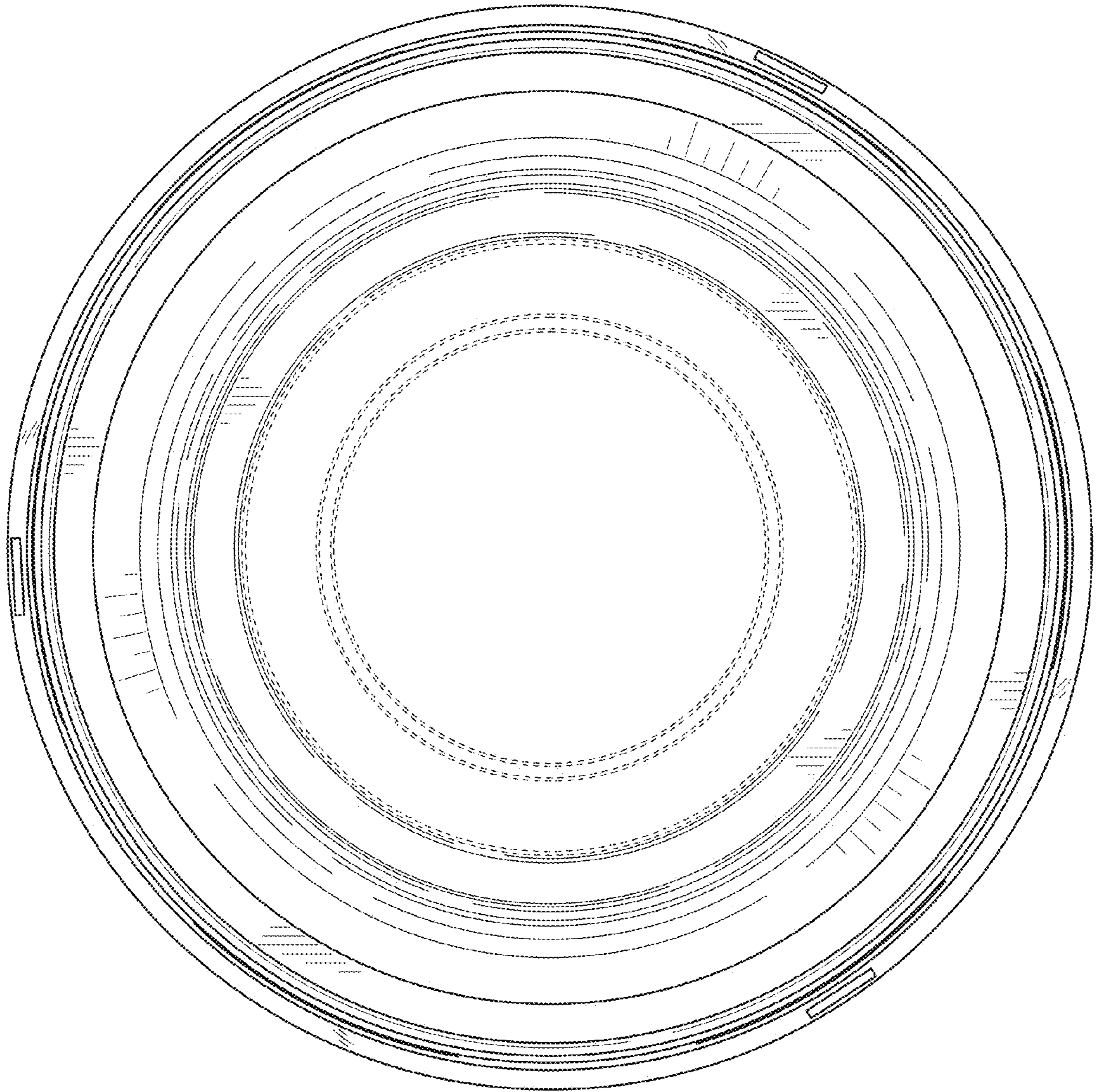


FIG. 7

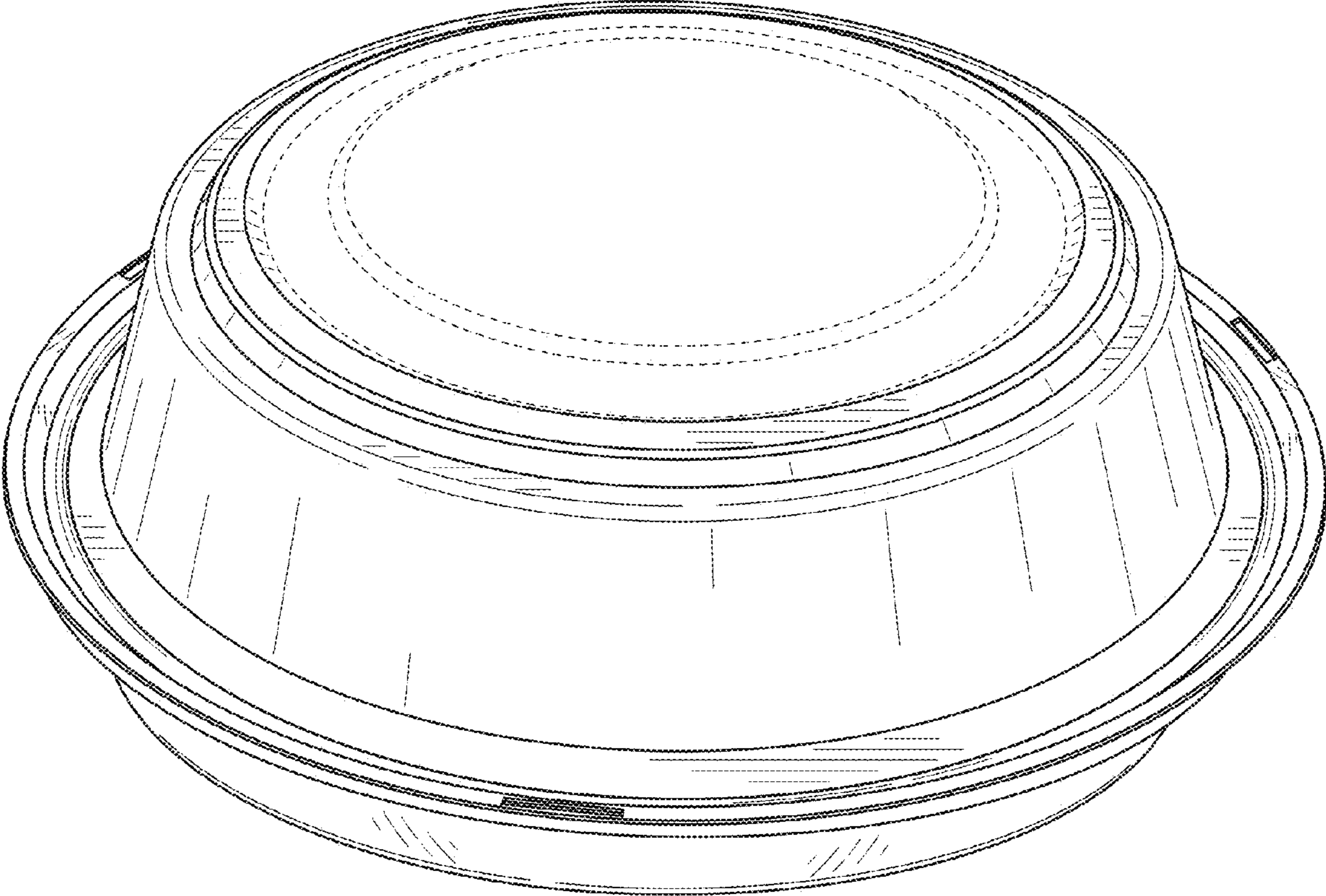


FIG. 8



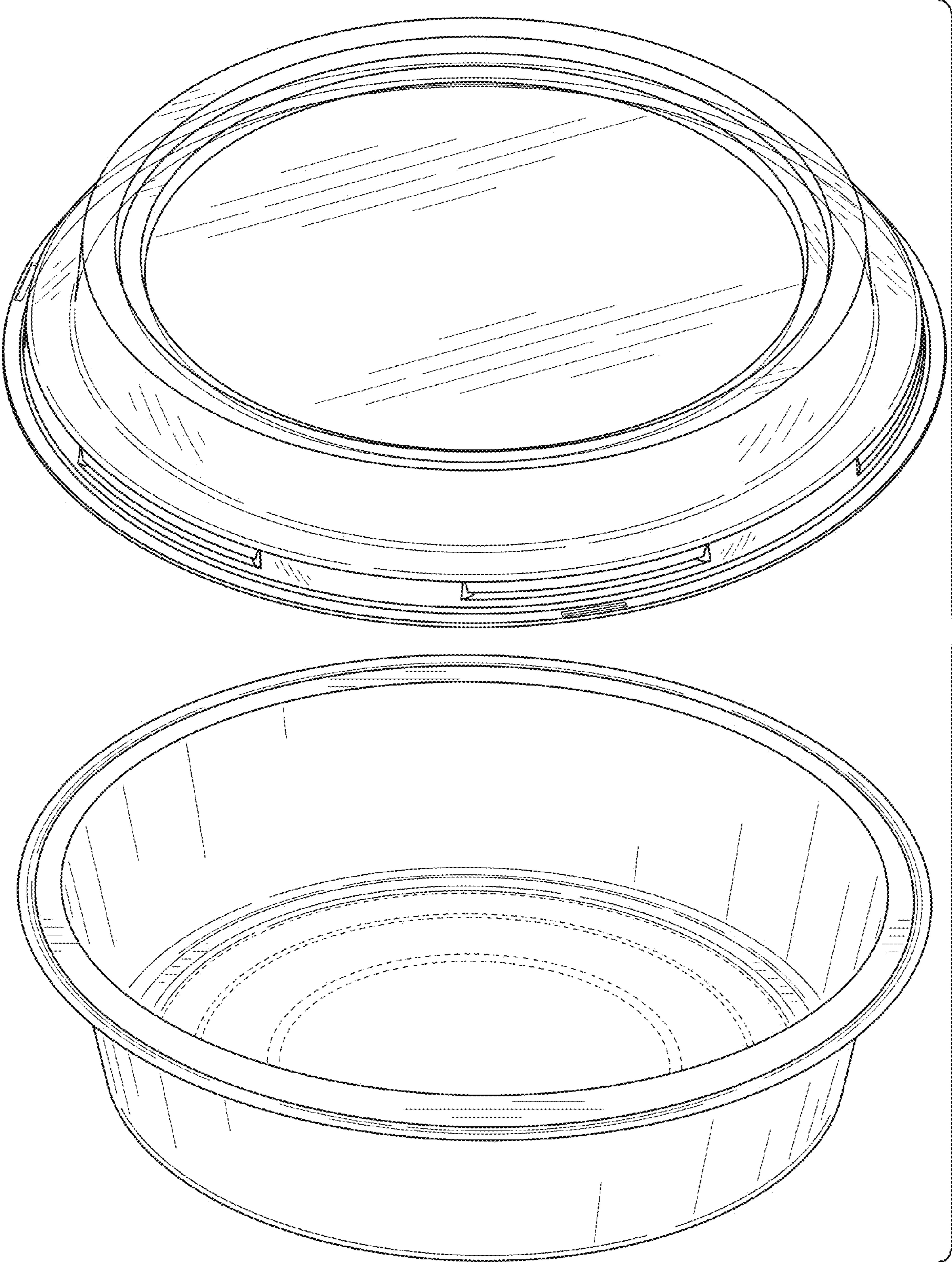


FIG. 9

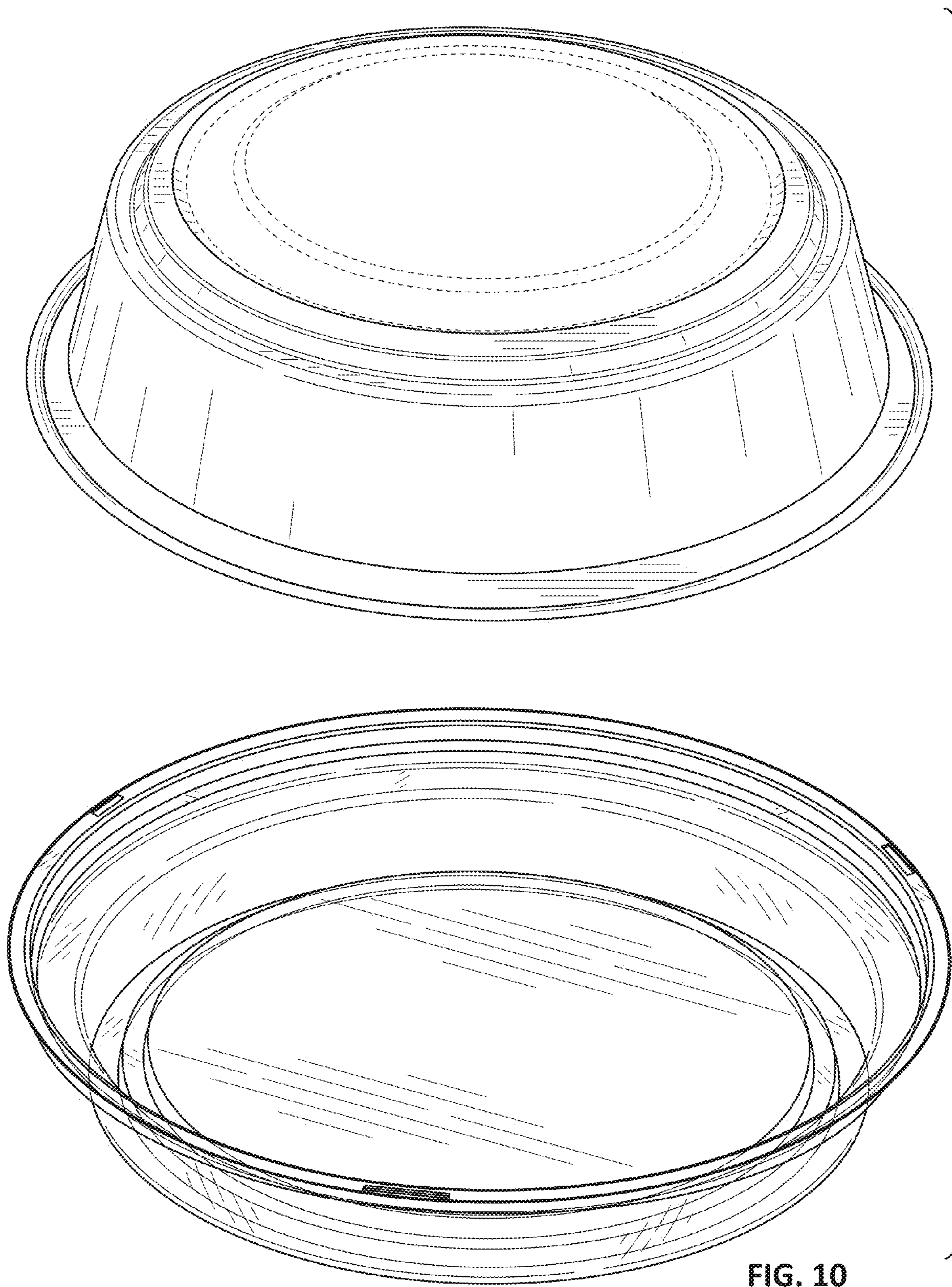


FIG. 10

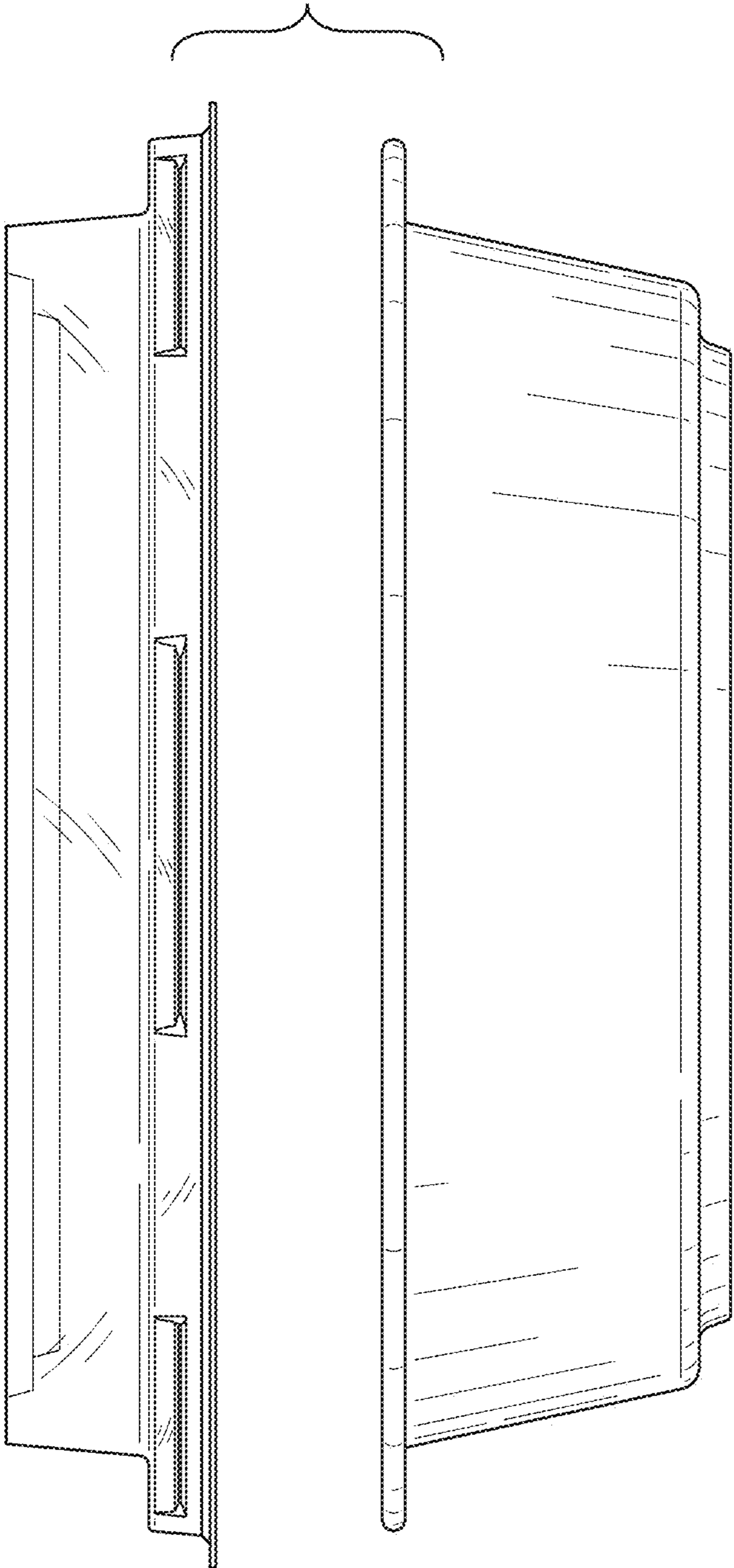


FIG. 11

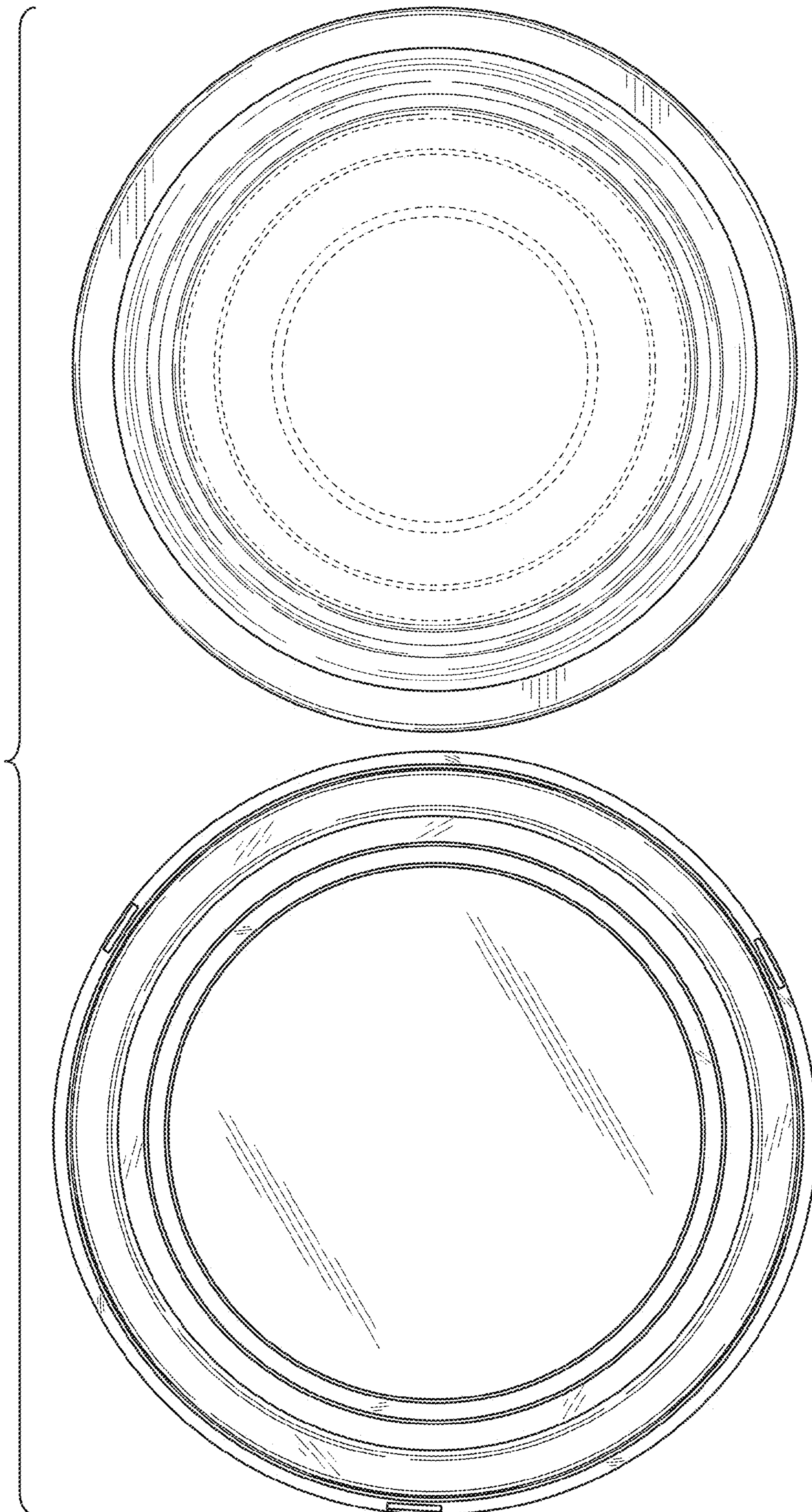


FIG. 12

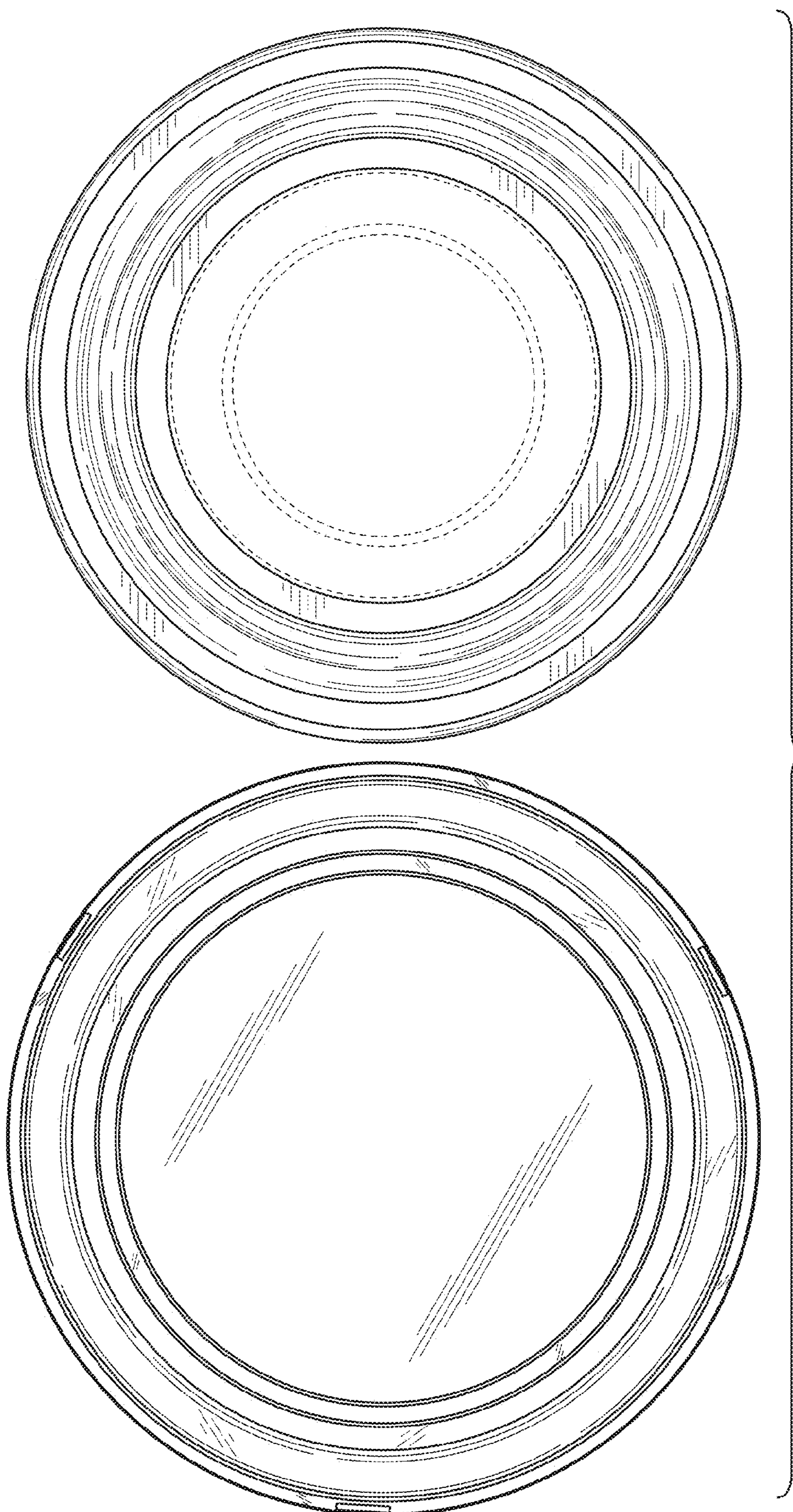


FIG. 13

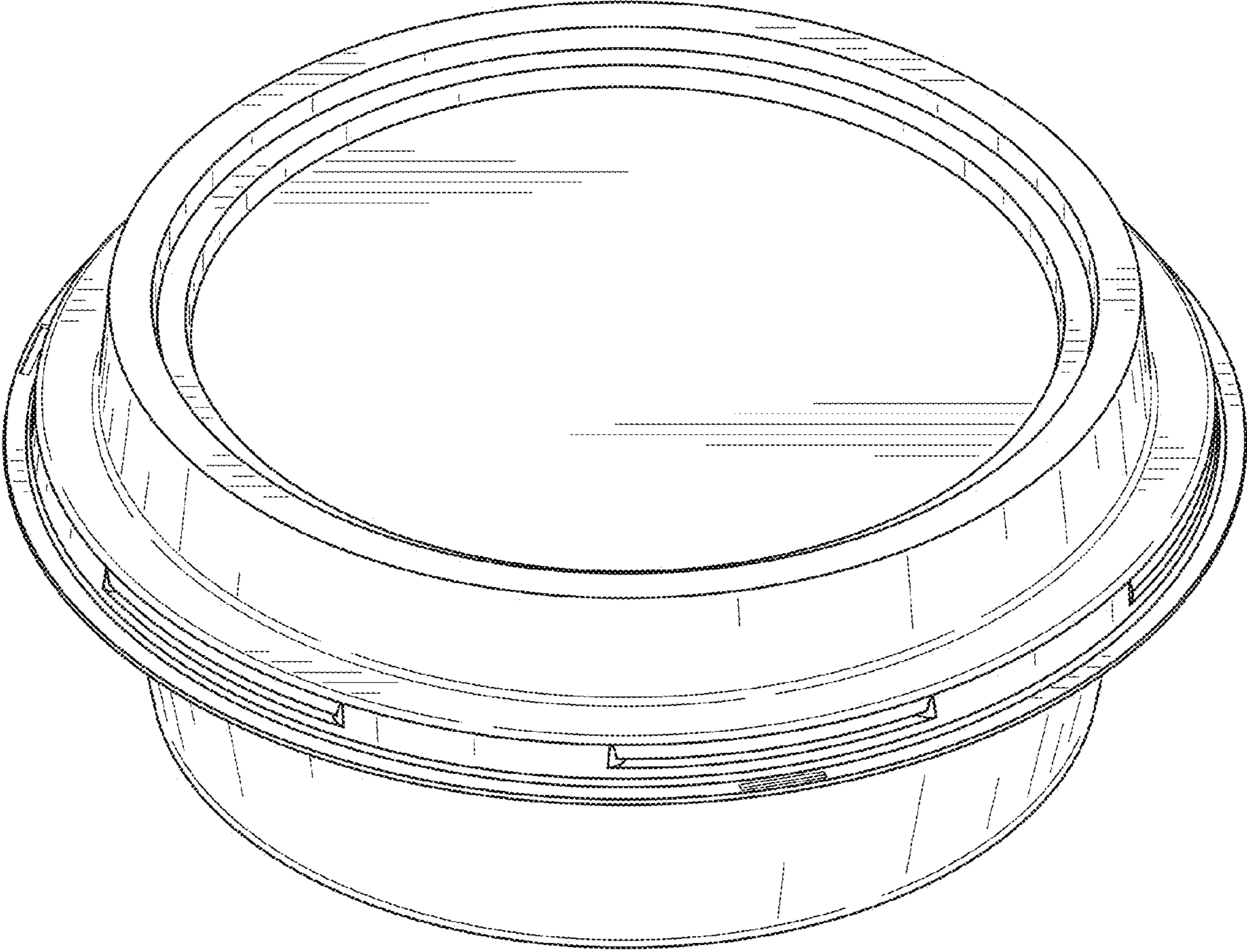


FIG. 14

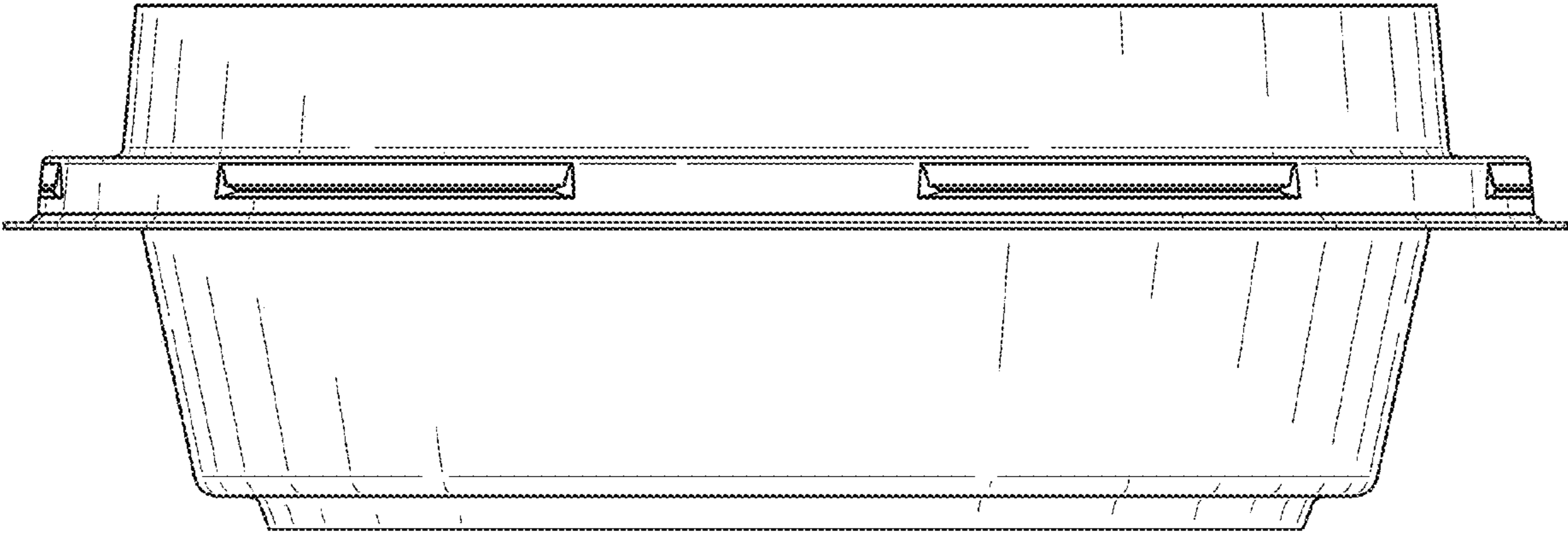


FIG. 15

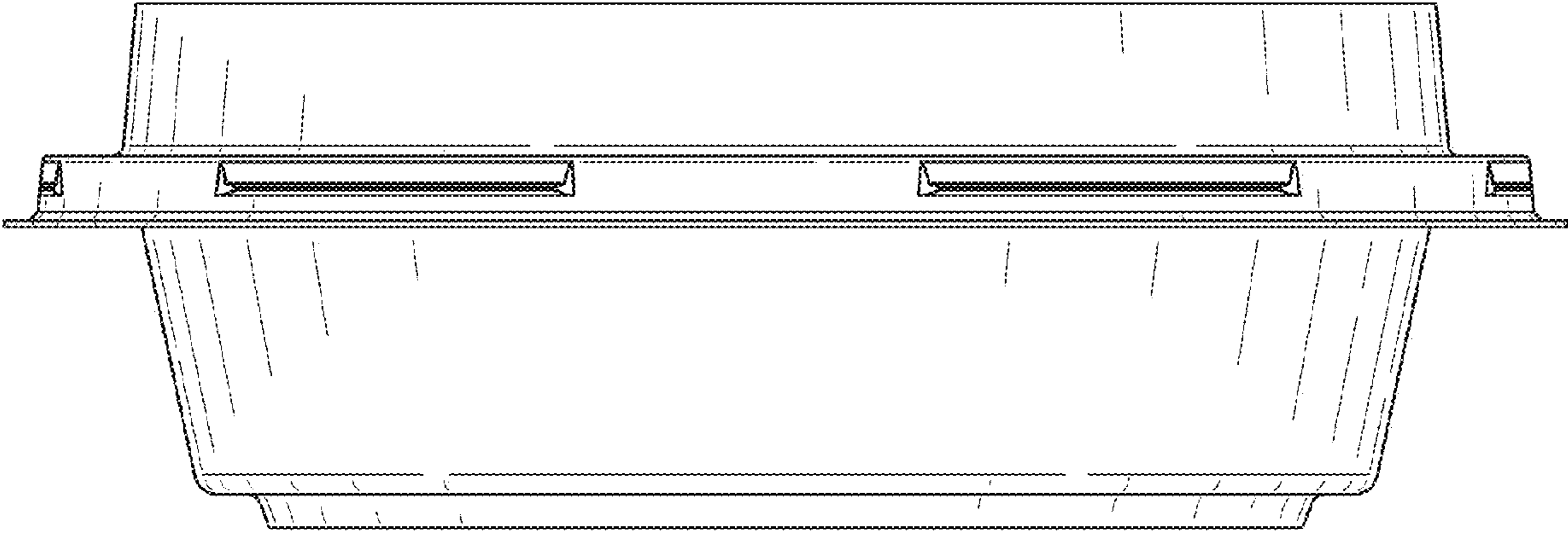


FIG. 16

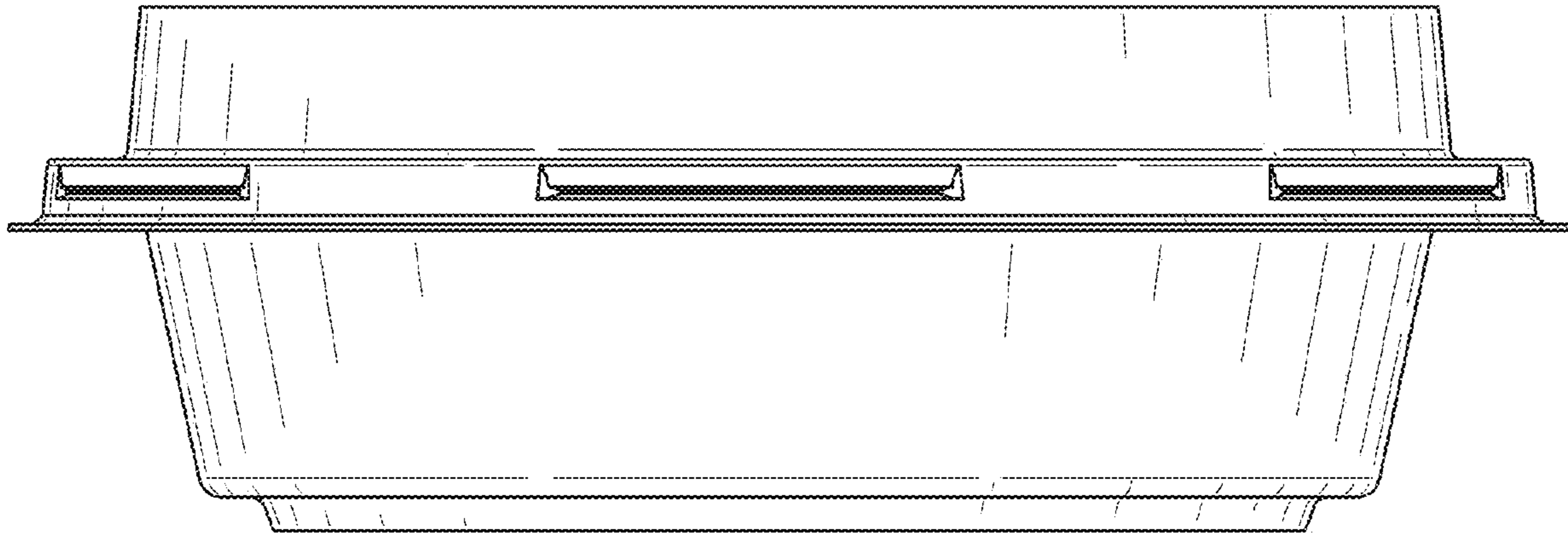


FIG. 17

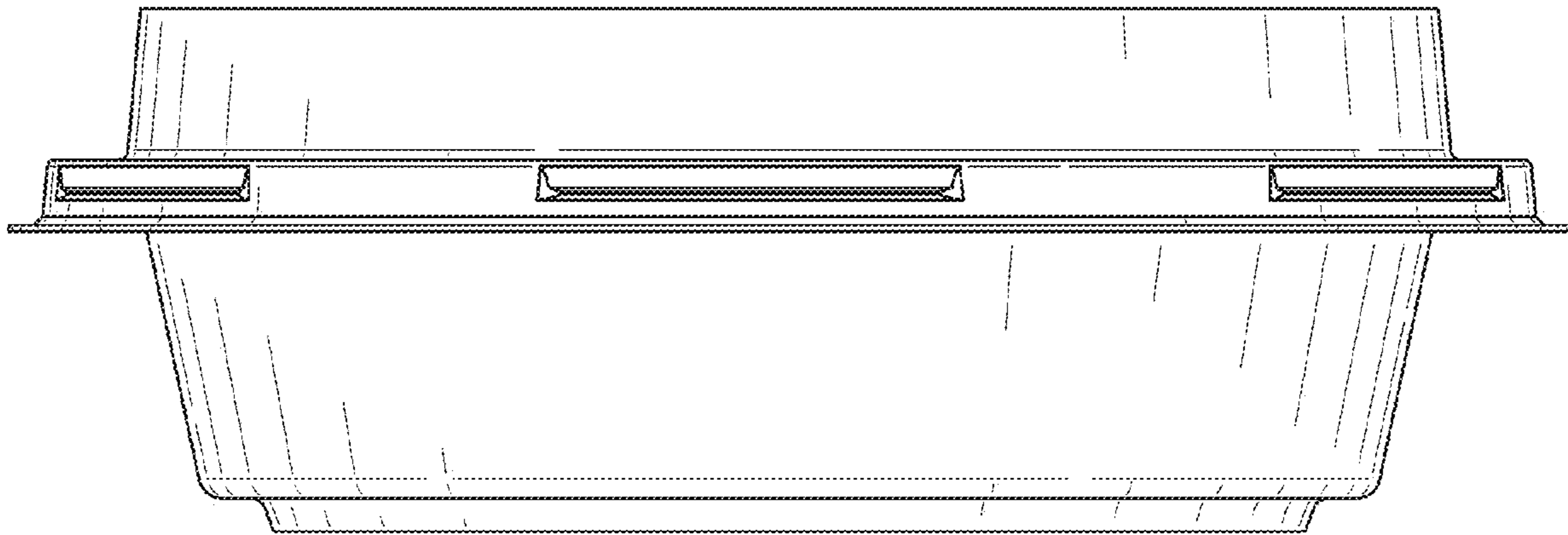


FIG. 18



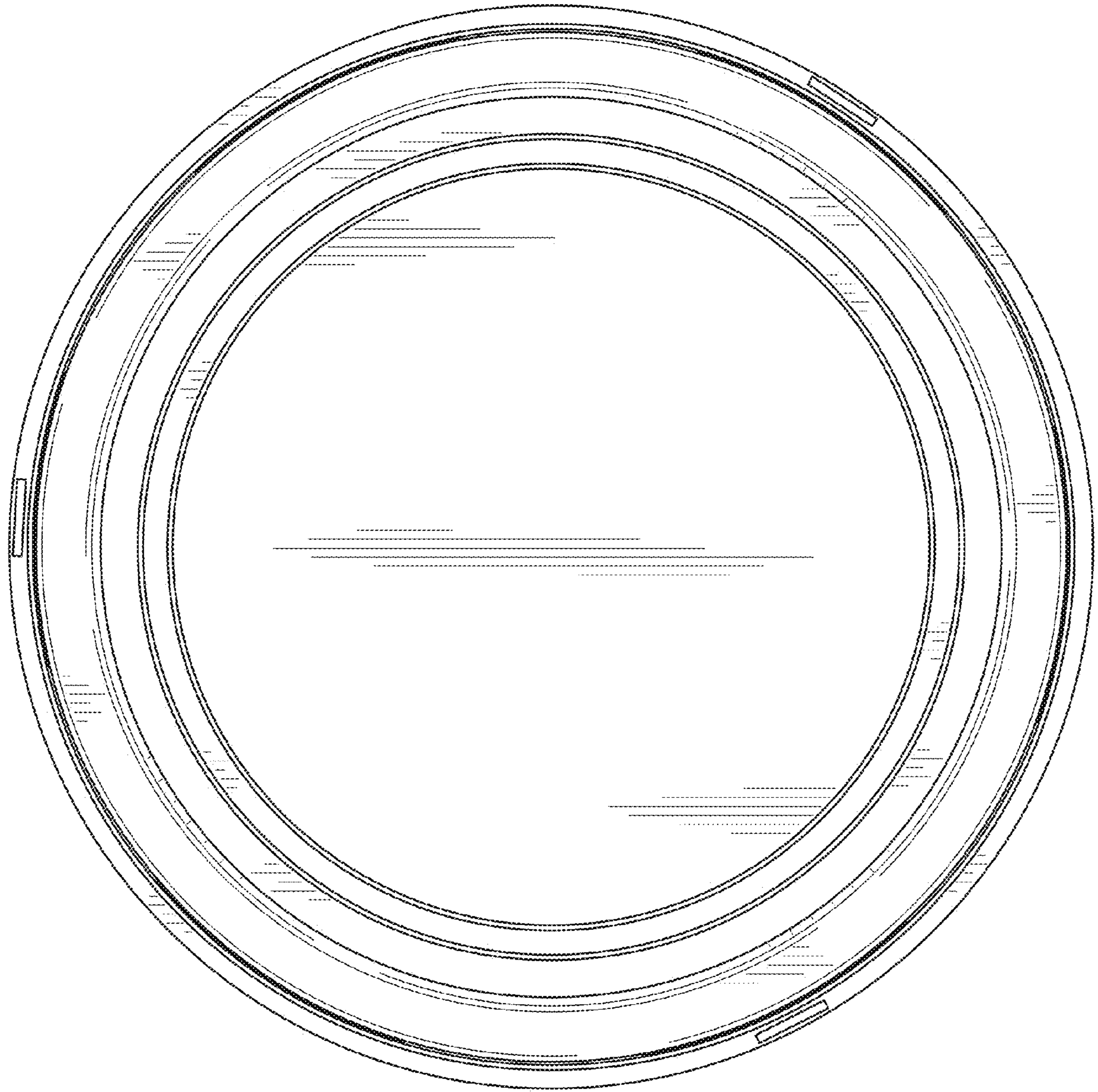


FIG. 19

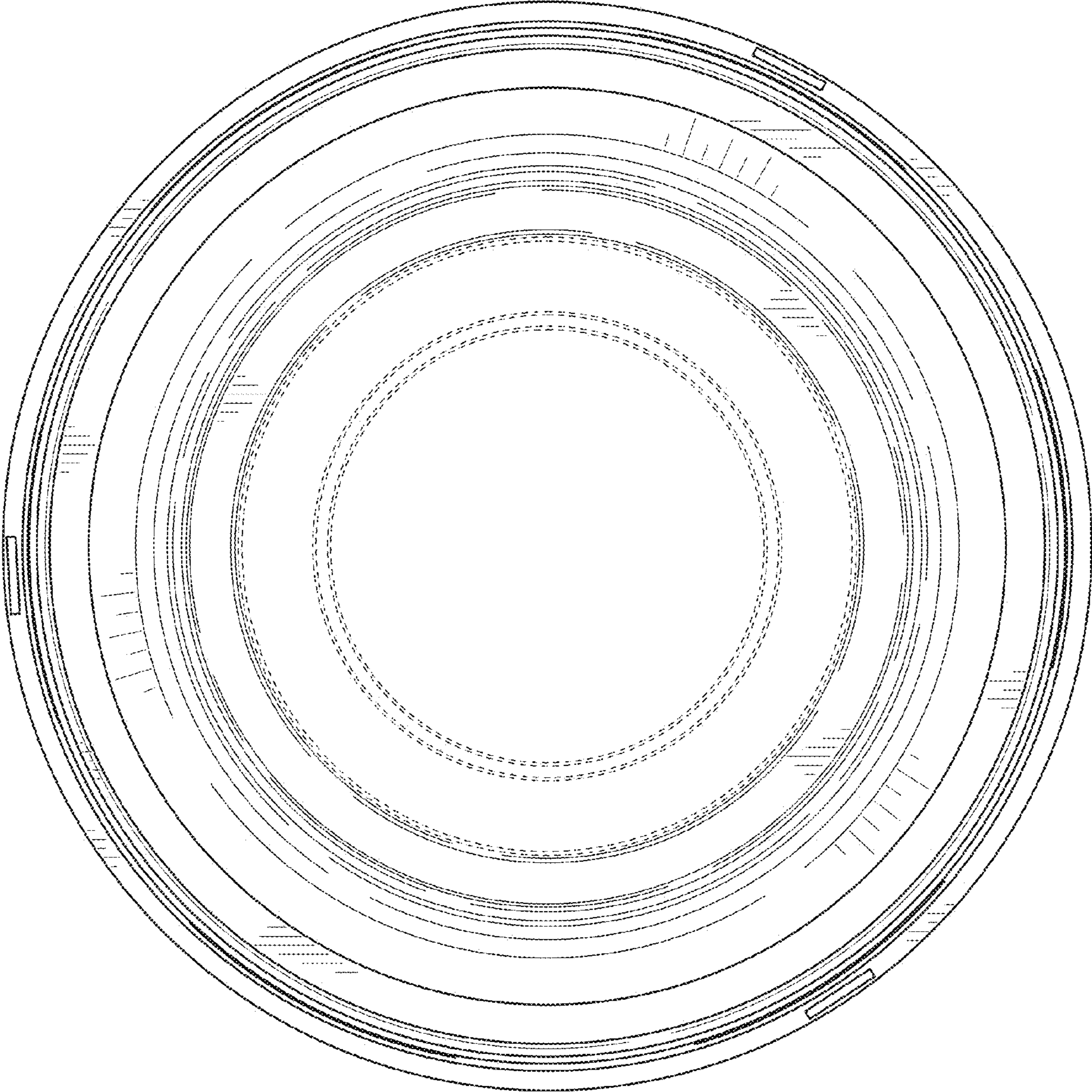


FIG. 20

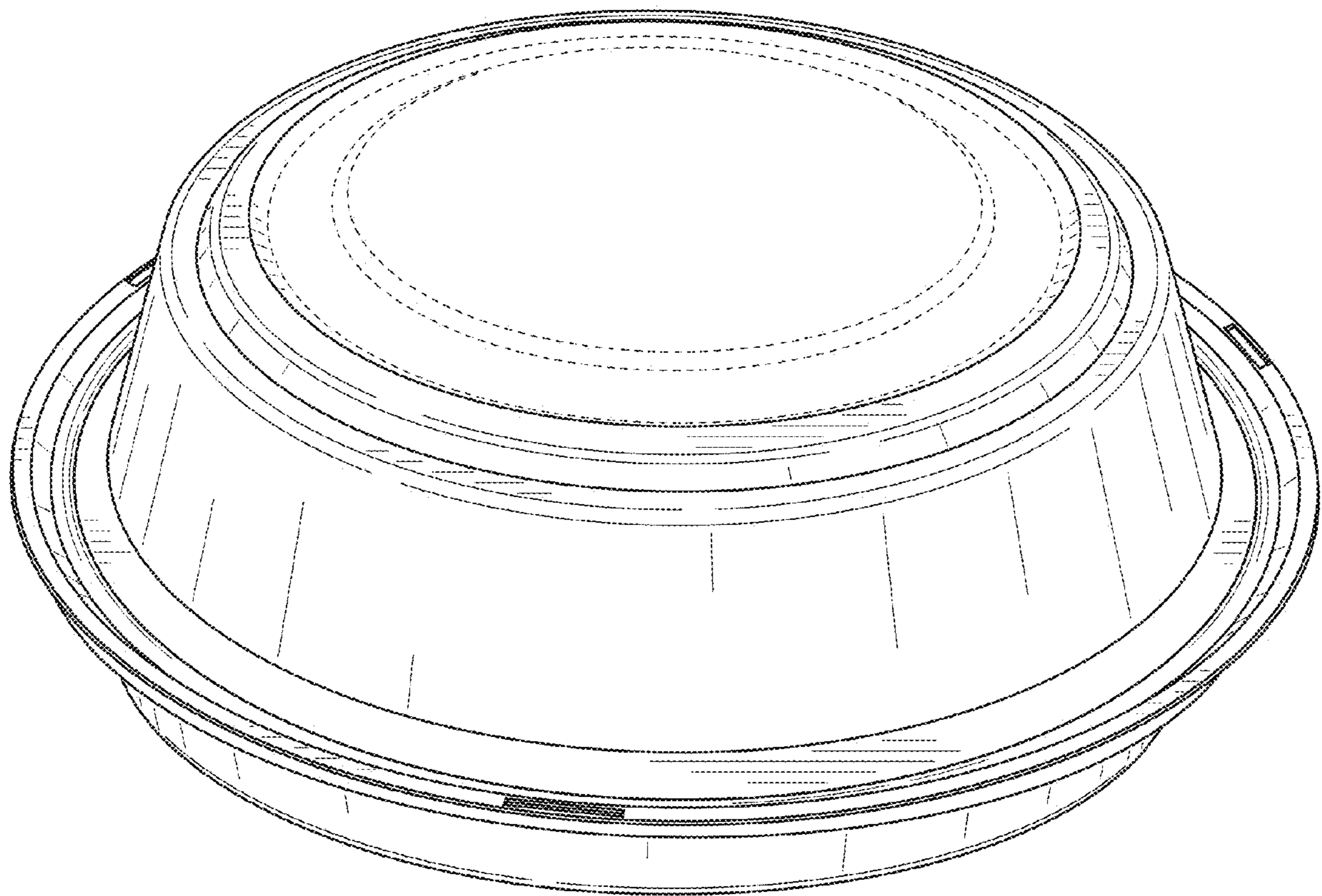


FIG. 21

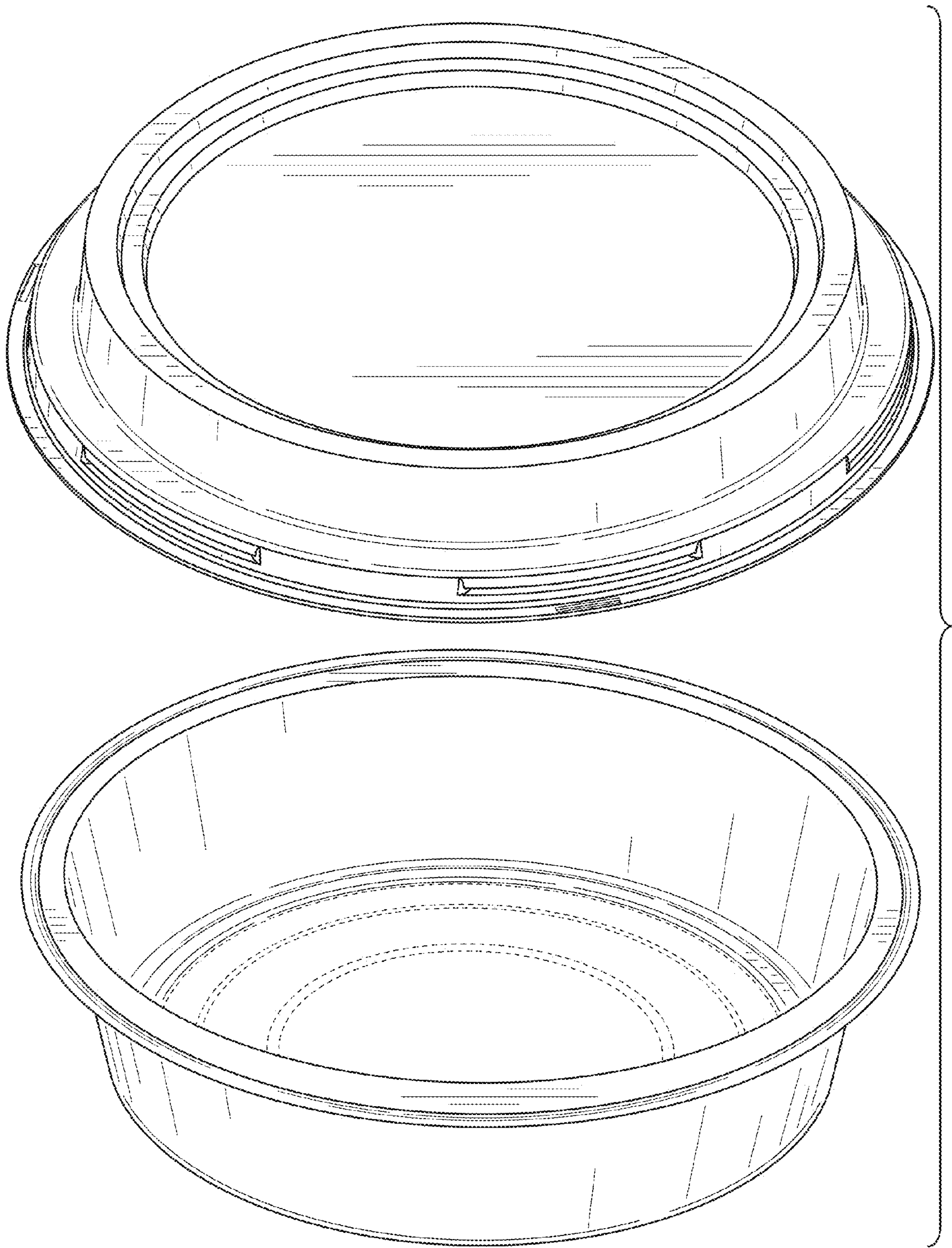
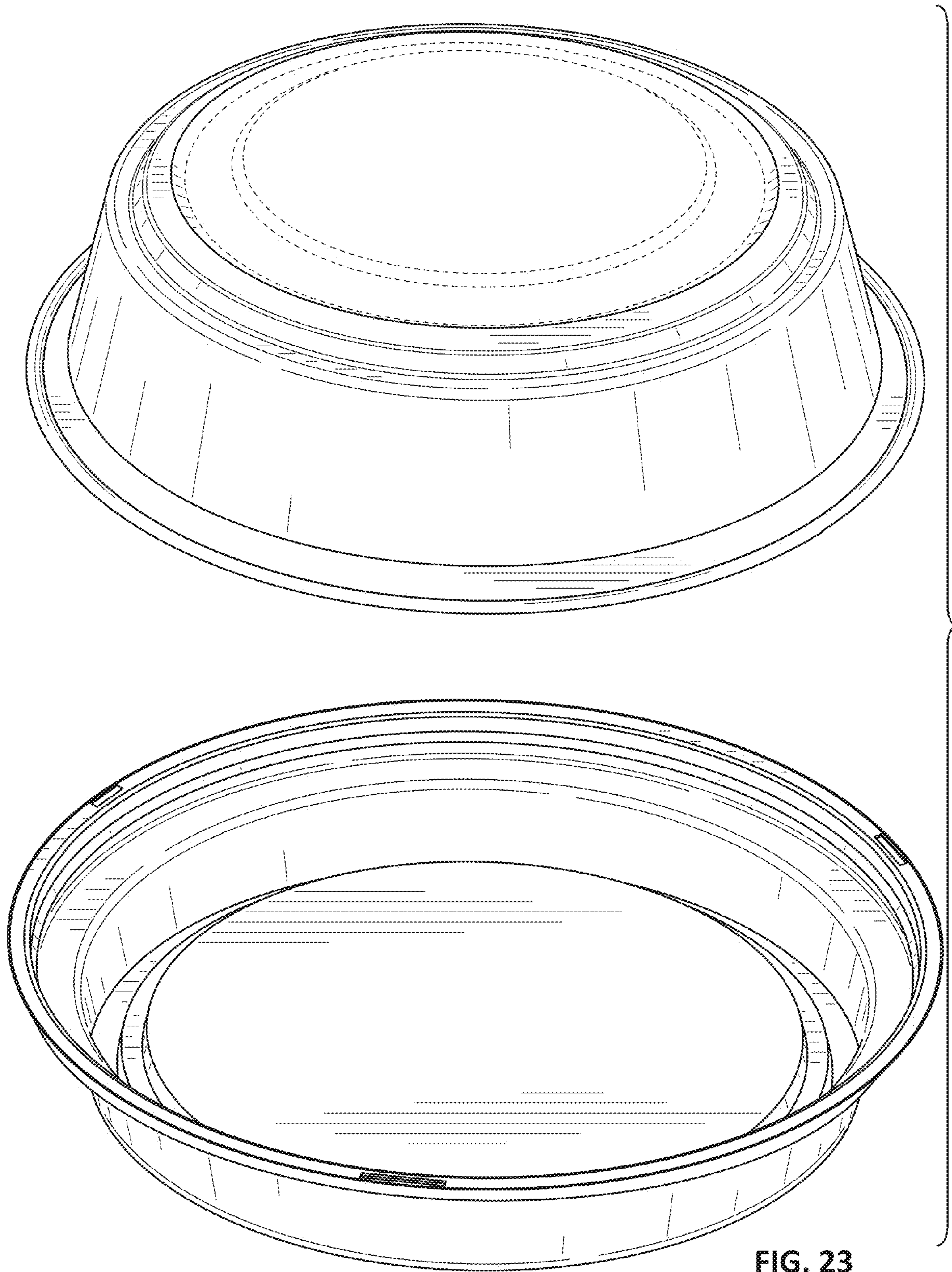


FIG. 22



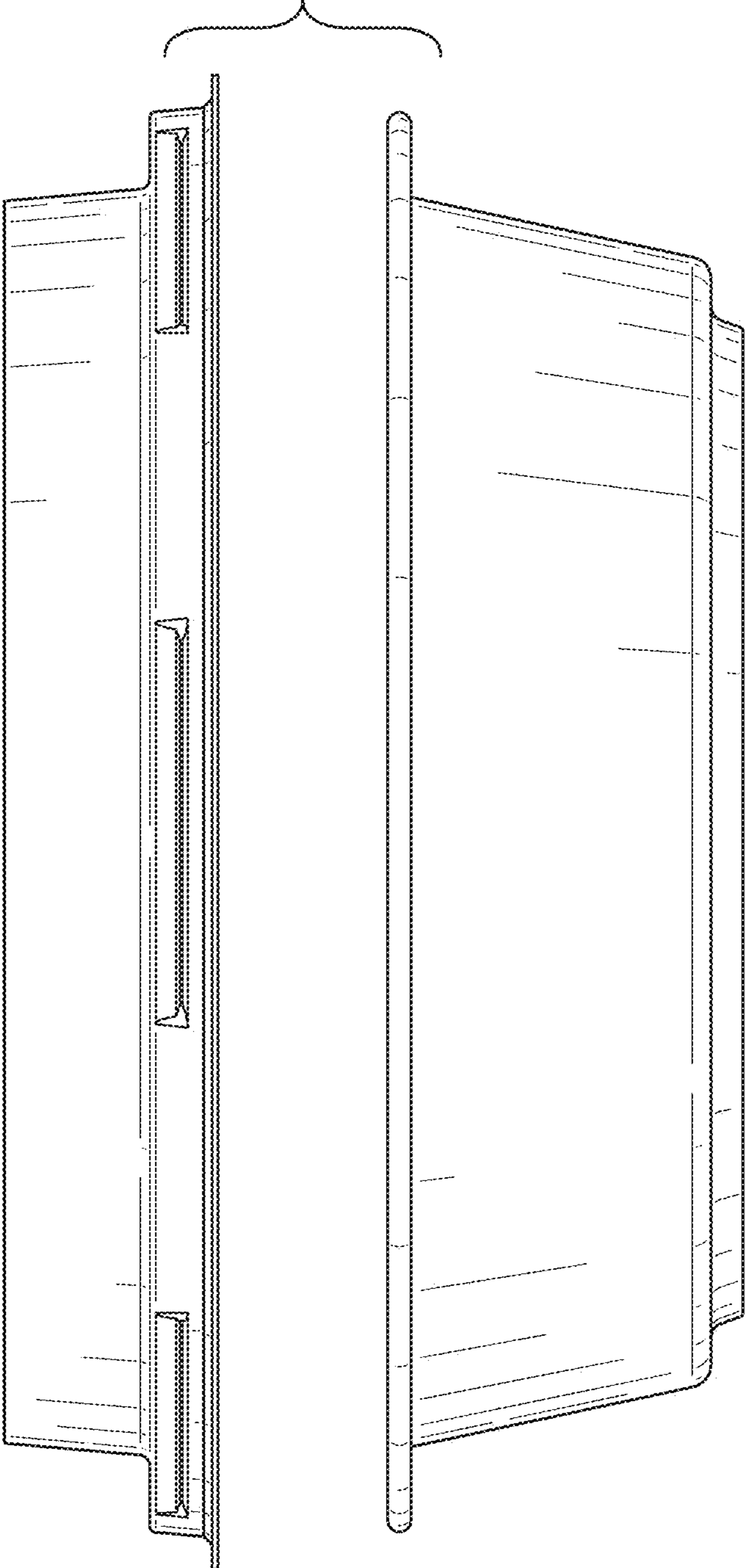


FIG. 24

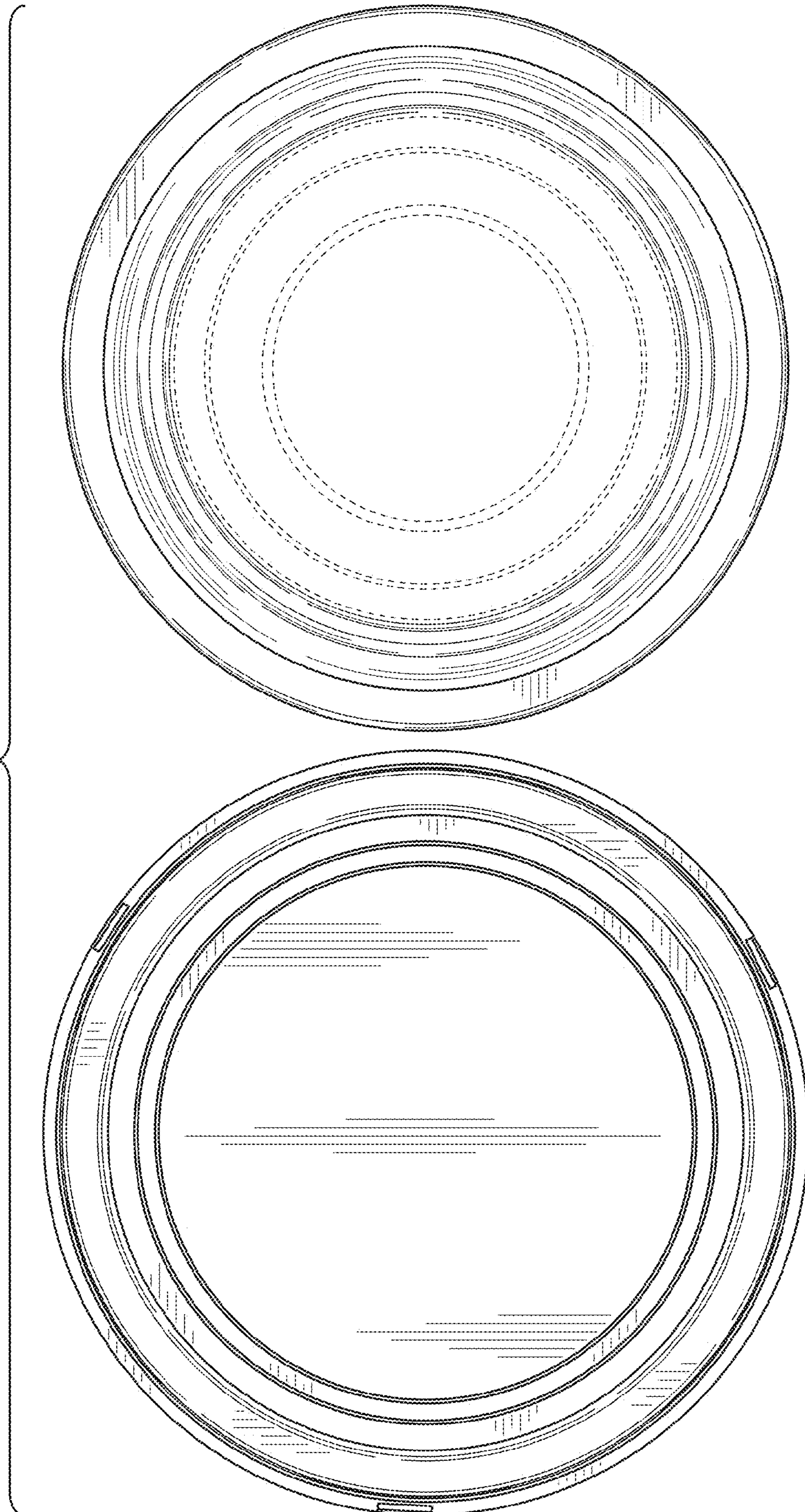


FIG. 25

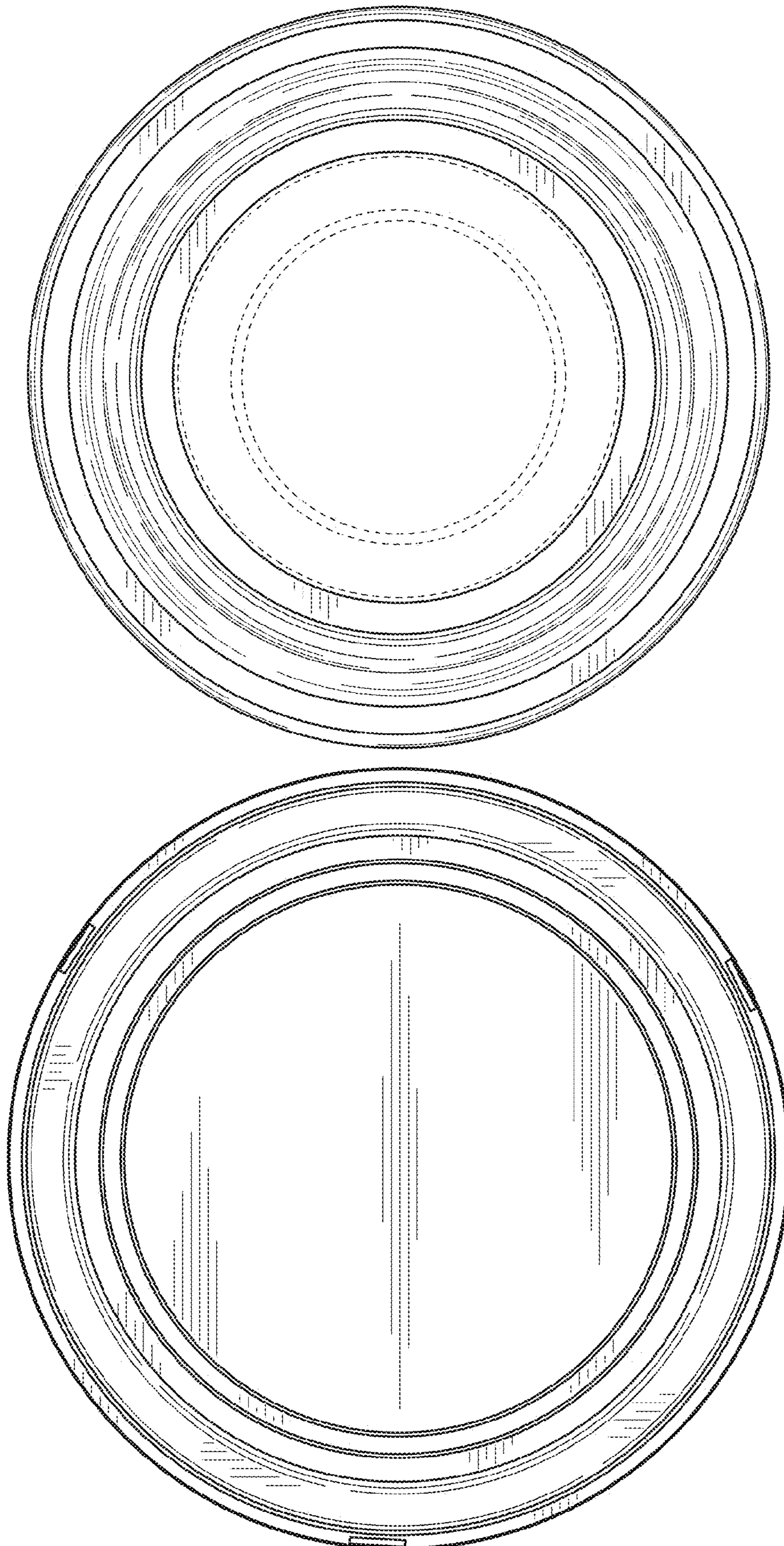


FIG. 26