



US00D932232S

(12) **United States Design Patent**
Yang et al.

(10) **Patent No.:** **US D932,232 S**

(45) **Date of Patent:** **** Oct. 5, 2021**

(54) **AIR FRYER**

(71) Applicant: **ETEK CITY CORPORATION,**
Anaheim, CA (US)

(72) Inventors: **Lin Yang,** Shenzhen (CN); **Hai Yang,**
Shenzhen (CN)

(**) Term: **15 Years**

(21) Appl. No.: **29/709,066**

(22) Filed: **Oct. 10, 2019**

(30) **Foreign Application Priority Data**

Apr. 11, 2019 (CN) 201930163698.2

(51) **LOC (13) Cl.** **07-02**

(52) **U.S. Cl.**
USPC **D7/354**

(58) **Field of Classification Search**
USPC D7/323, 337, 339, 340, 341, 346, 350.3,
D7/352, 354, 355, 356, 357, 358, 359,
D7/360, 361, 362, 363, 364, 365, 366,
D7/367, 402, 403, 406, 407, 601
CPC A21B 1/06; A21B 1/50; A21B 1/52; A47J
37/04; A47J 37/06; A47J 37/015; A47J
37/067; A47J 37/0611; A47J 37/0629;
A47J 37/0676; A47J 37/108; F24C 7/06;
F24C 7/083; F24C 15/02; F24C 15/66;
H05B 3/20; H05B 3/40
See application file for complete search history.

(56) **References Cited**

U.S. PATENT DOCUMENTS

D387,243 S * 12/1997 Bumoux D7/354
D668,908 S * 10/2012 De' Longhi D7/354
D804,236 S * 12/2017 Zhang D7/354
D833,202 S * 11/2018 Yang D7/358
D839,040 S * 1/2019 Seymour D7/354
D871,827 S * 1/2020 Moon D7/354

D878,850 S * 3/2020 Hu D7/354
D879,540 S * 3/2020 Chen D7/354
D879,541 S * 3/2020 Chen D7/354
D879,542 S * 3/2020 Chen D7/354
D880,220 S * 4/2020 Chen D7/354
D883,729 S * 5/2020 Yang D7/354
D891,849 S * 8/2020 Yang D7/354
D901,229 S * 11/2020 Ou D7/354
2018/0255971 A1* 9/2018 Moon A47J 36/00

OTHER PUBLICATIONS

COSORI Air Fryer Large Hot Electric Oven, announced Nov. 26, 2019 [online], retrieved Dec. 4, 2020, retrieved from internet, https://www.amazon.com/COSORI-3-7-Quart-1500-Watt-Electric-Temperature/dp/B081NLFM91/ref=asc_df_B081NLFM91/?tag=hyprod-20&linkCode=df0&hvadid=459434223061&hvpos=&hvnetw=g&hvrnd=1517092.*

(Continued)

Primary Examiner — Dana K Weiland
Assistant Examiner — Messina L Smith
(74) *Attorney, Agent, or Firm* — Tsz Lung Yeung

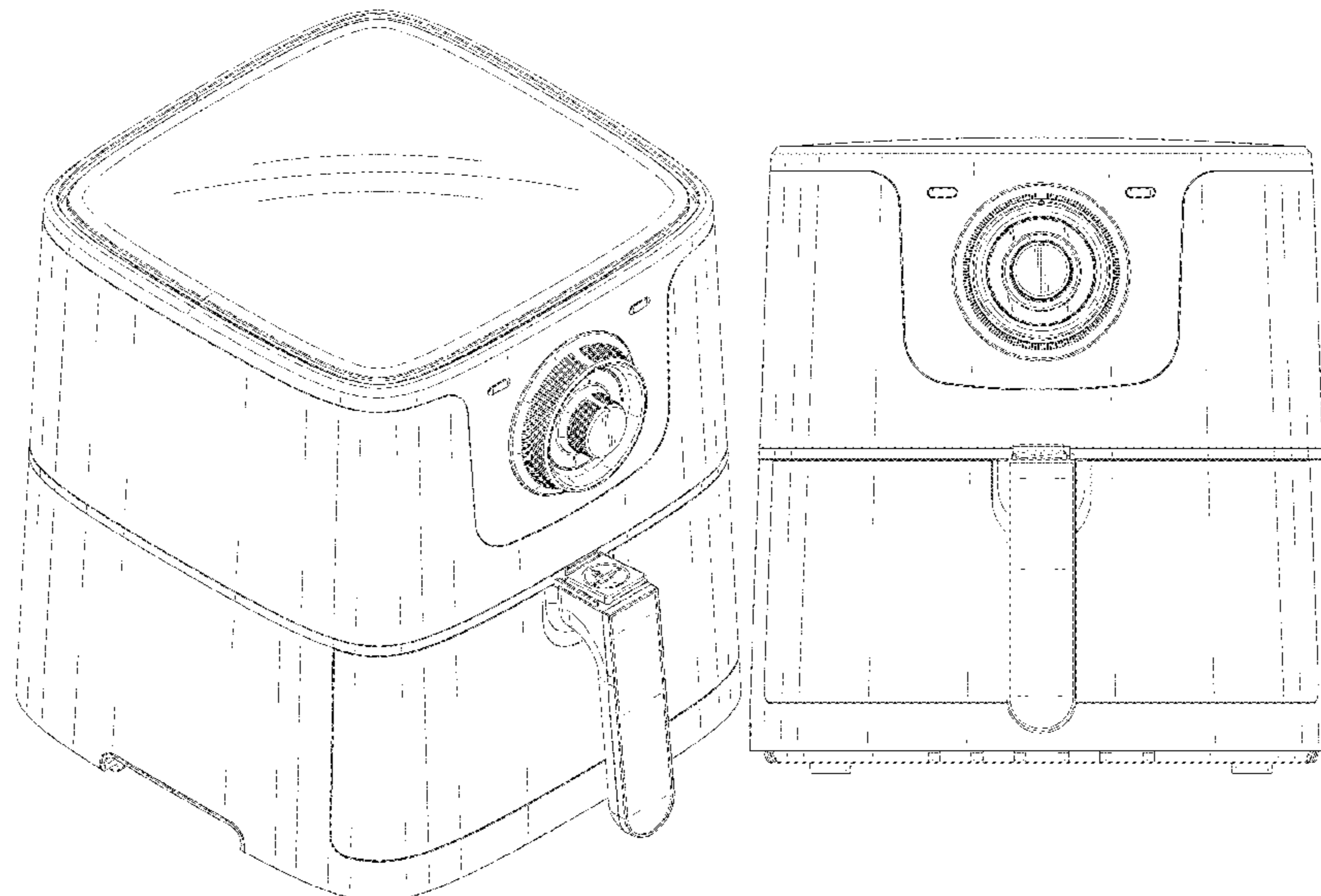
(57) **CLAIM**

The ornamental design for an air fryer, as shown and described.

DESCRIPTION

FIG. 1 is a perspective view of an air fryer showing my new design;
FIG. 2 is a front view thereof;
FIG. 3 is a rear view thereof;
FIG. 4 is a left side view thereof;
FIG. 5 is a right side view thereof;
FIG. 6 is a top view thereof; and,
FIG. 7 is a bottom view thereof.
The broken lines depict portions of the air fryer that form no part of the claimed design.

1 Claim, 7 Drawing Sheets



(56)

References Cited

OTHER PUBLICATIONS

A Cosori air fryer is on sale at Amazon for one day only, announced Aug. 5, 2020 [online], retrieved Dec. 4, retrieved from internet, <https://www.cnn.com/2020/08/05/cnn-underscored/cosori-air-fryer-sale-amazon/index.html>.*

Bella 5.3QT Air Fryer, announced 2018 [online], retrieved Dec. 4, 2020, retrieved from internet, <https://bellahousewares.com/products-bella/bella-5-3qt-air-convection-fryer/>.*

* cited by examiner

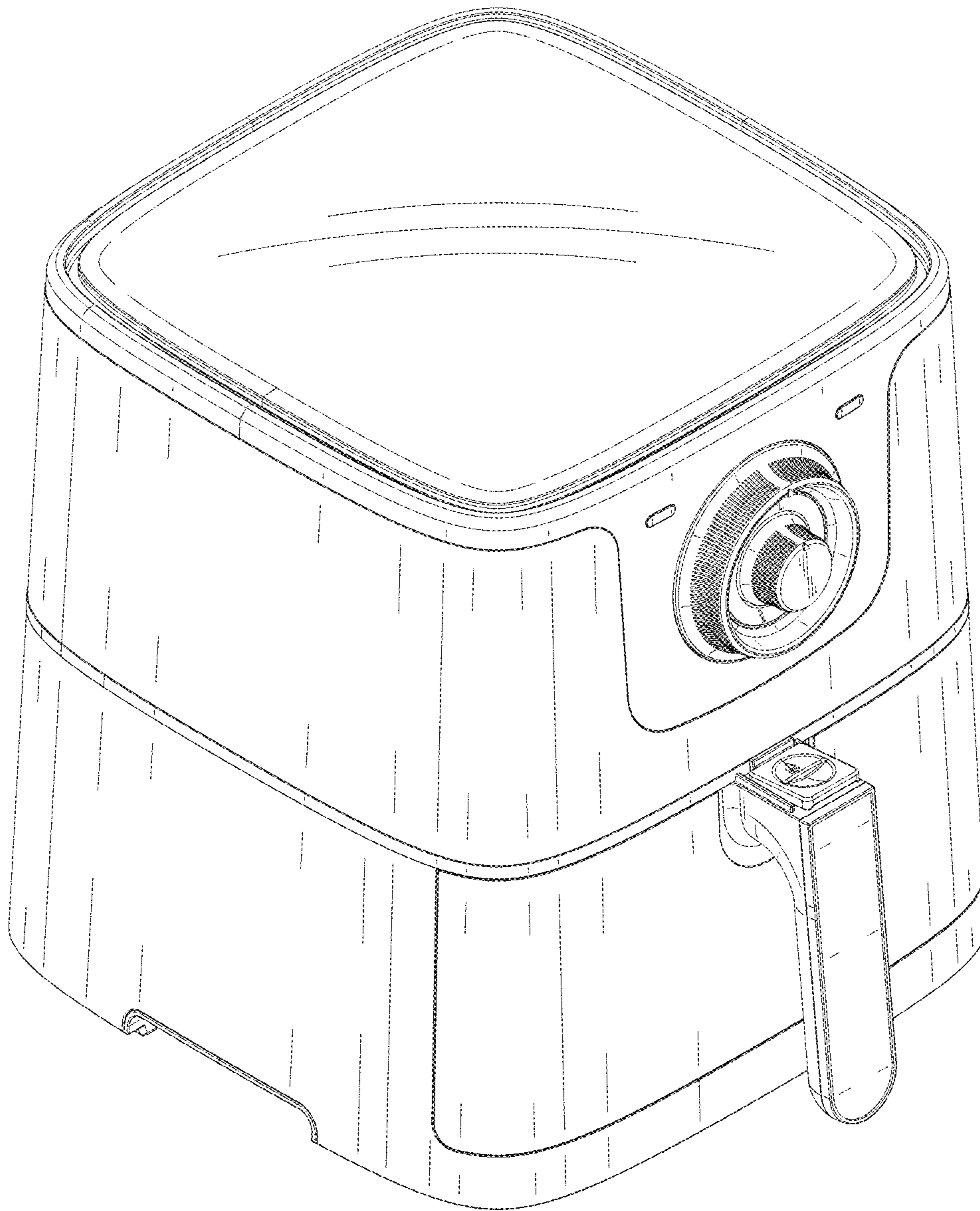


FIG. 1

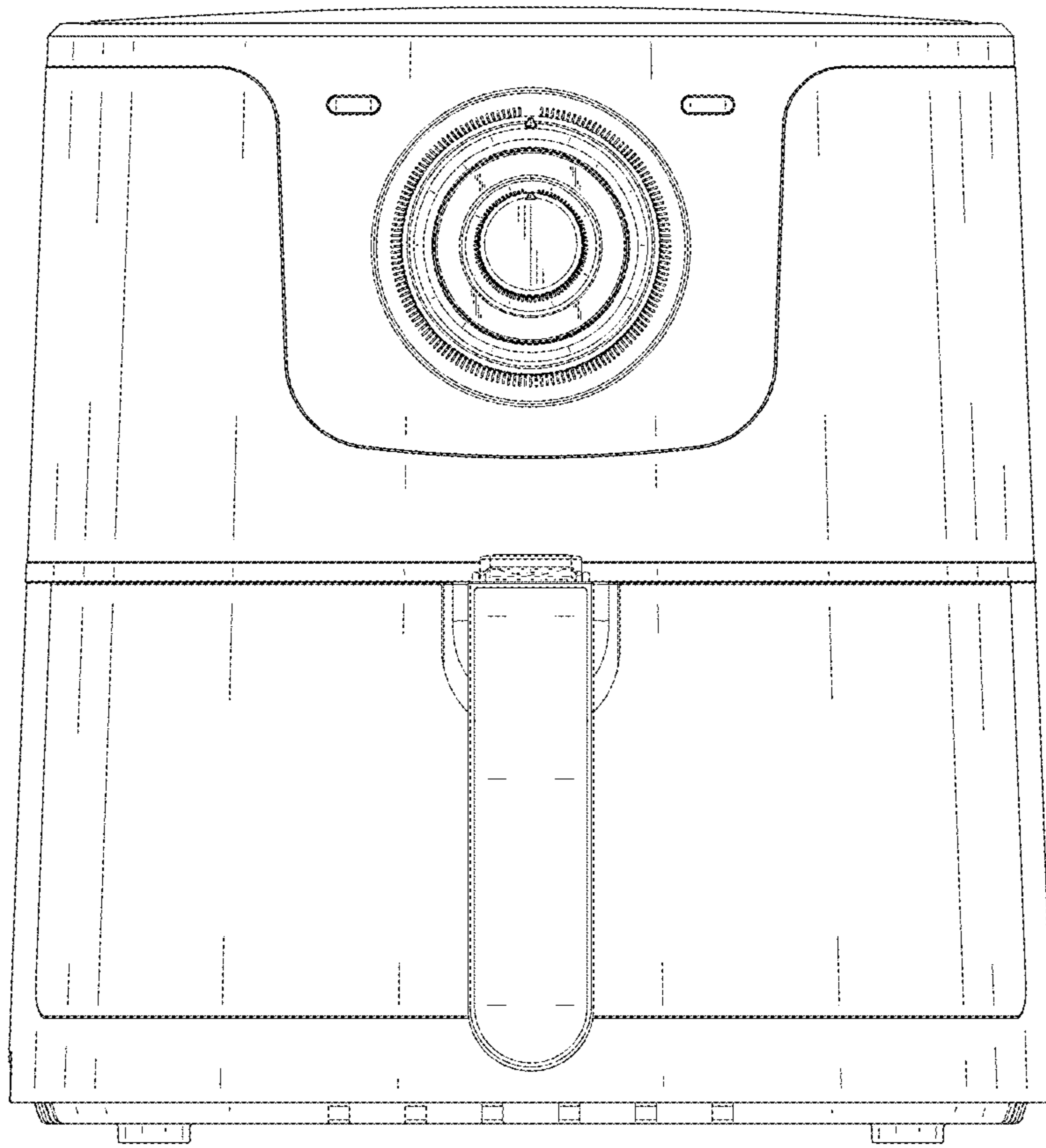


FIG.2

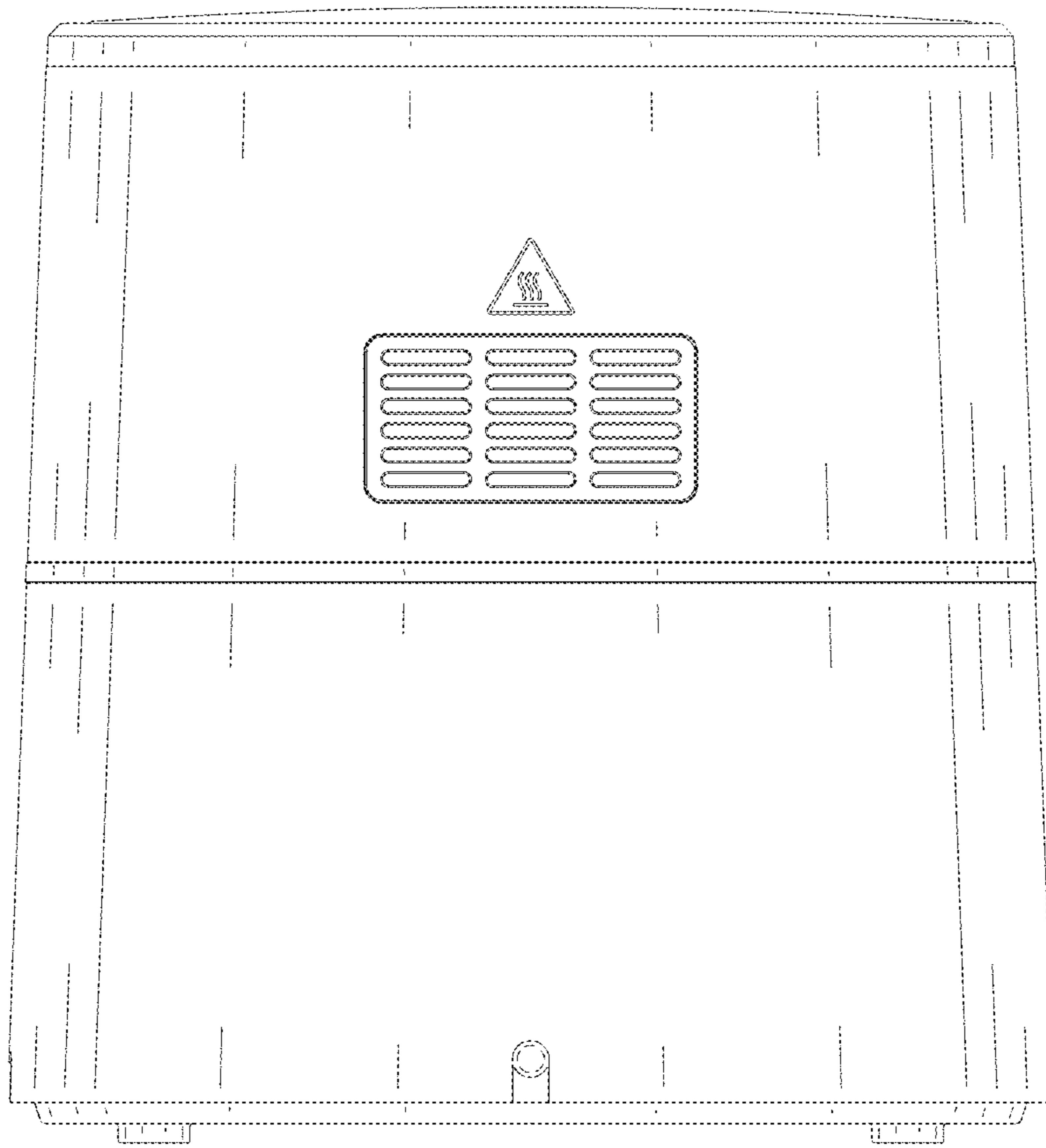


FIG. 3

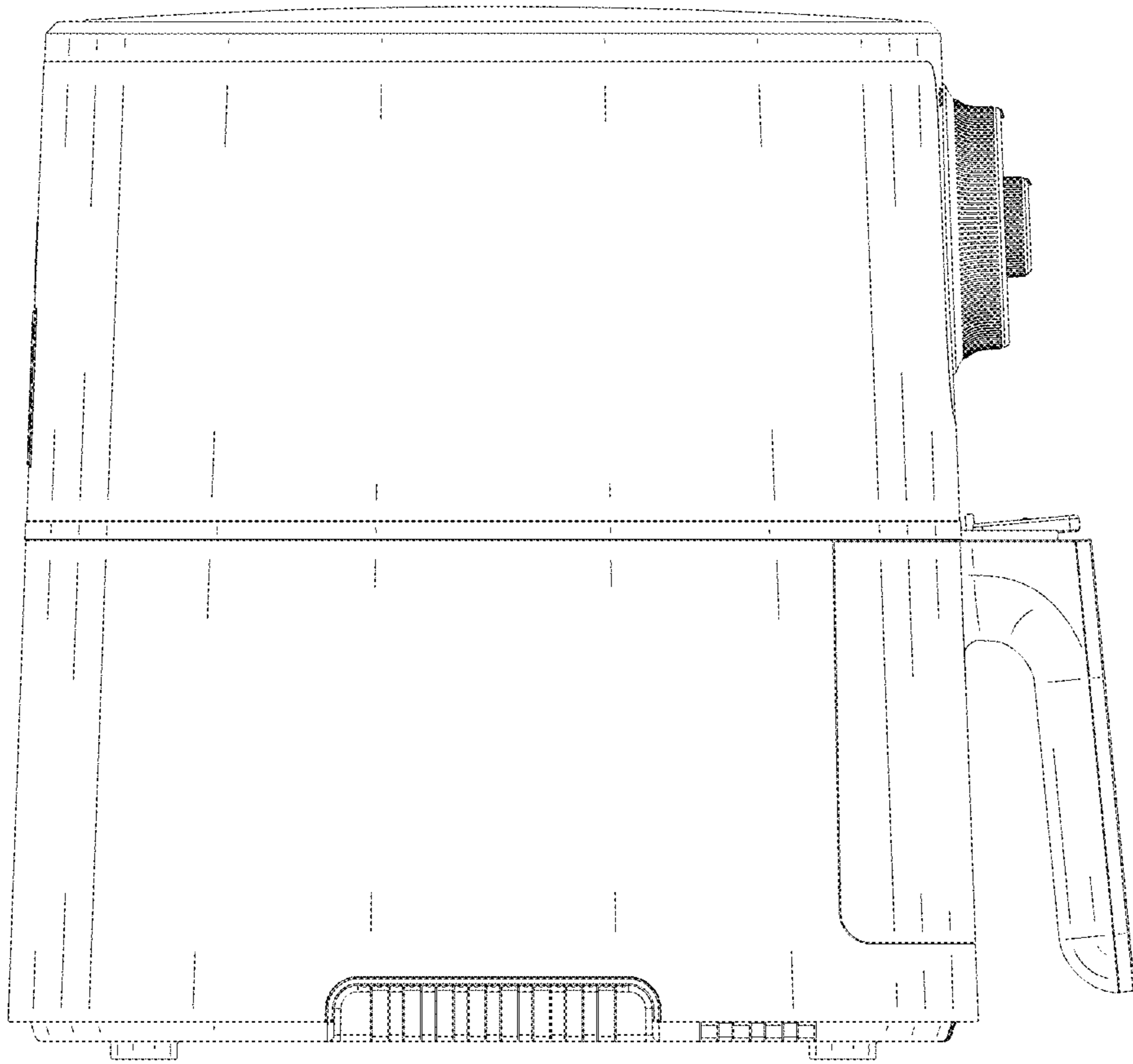


FIG. 4

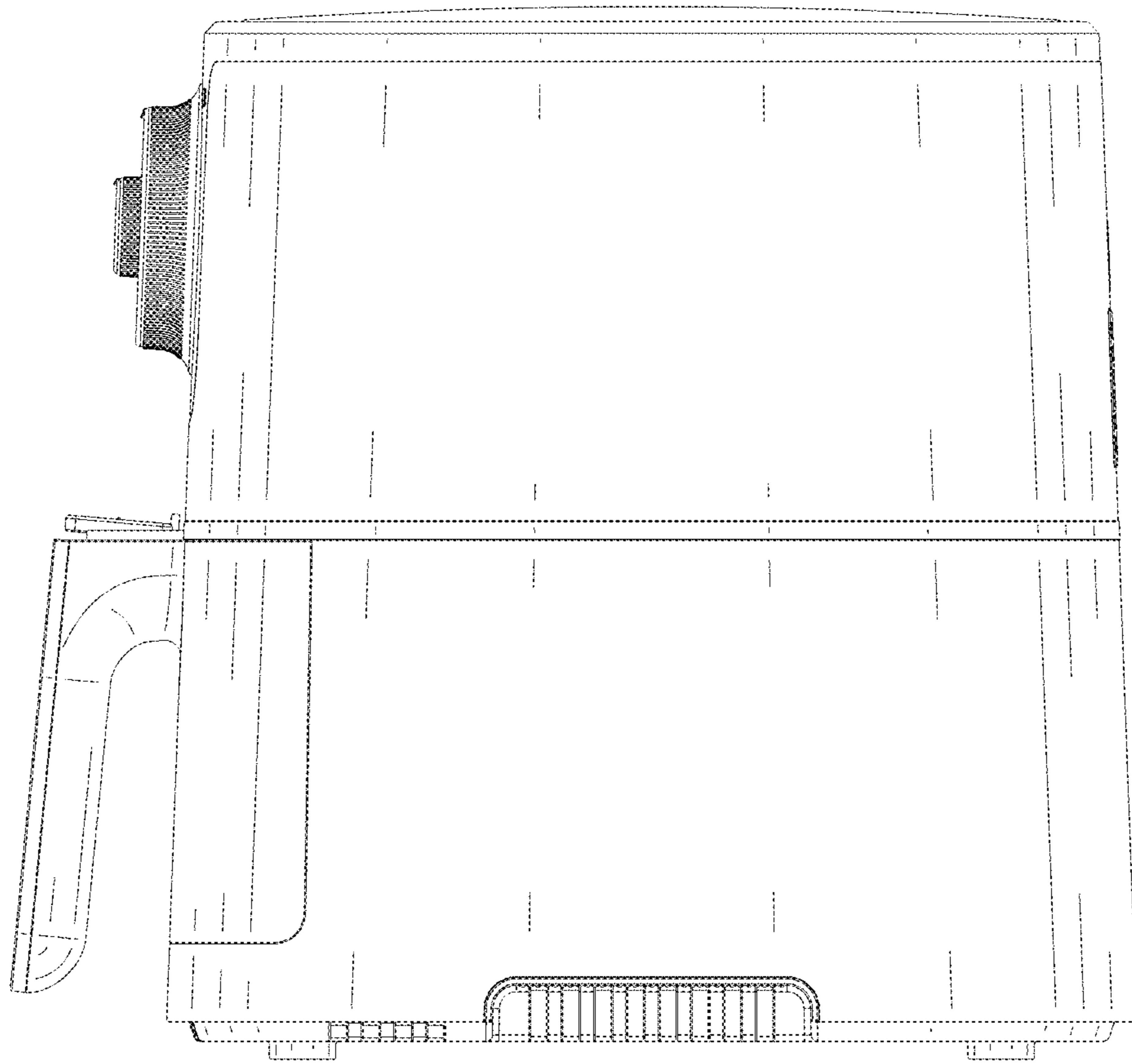


FIG. 5

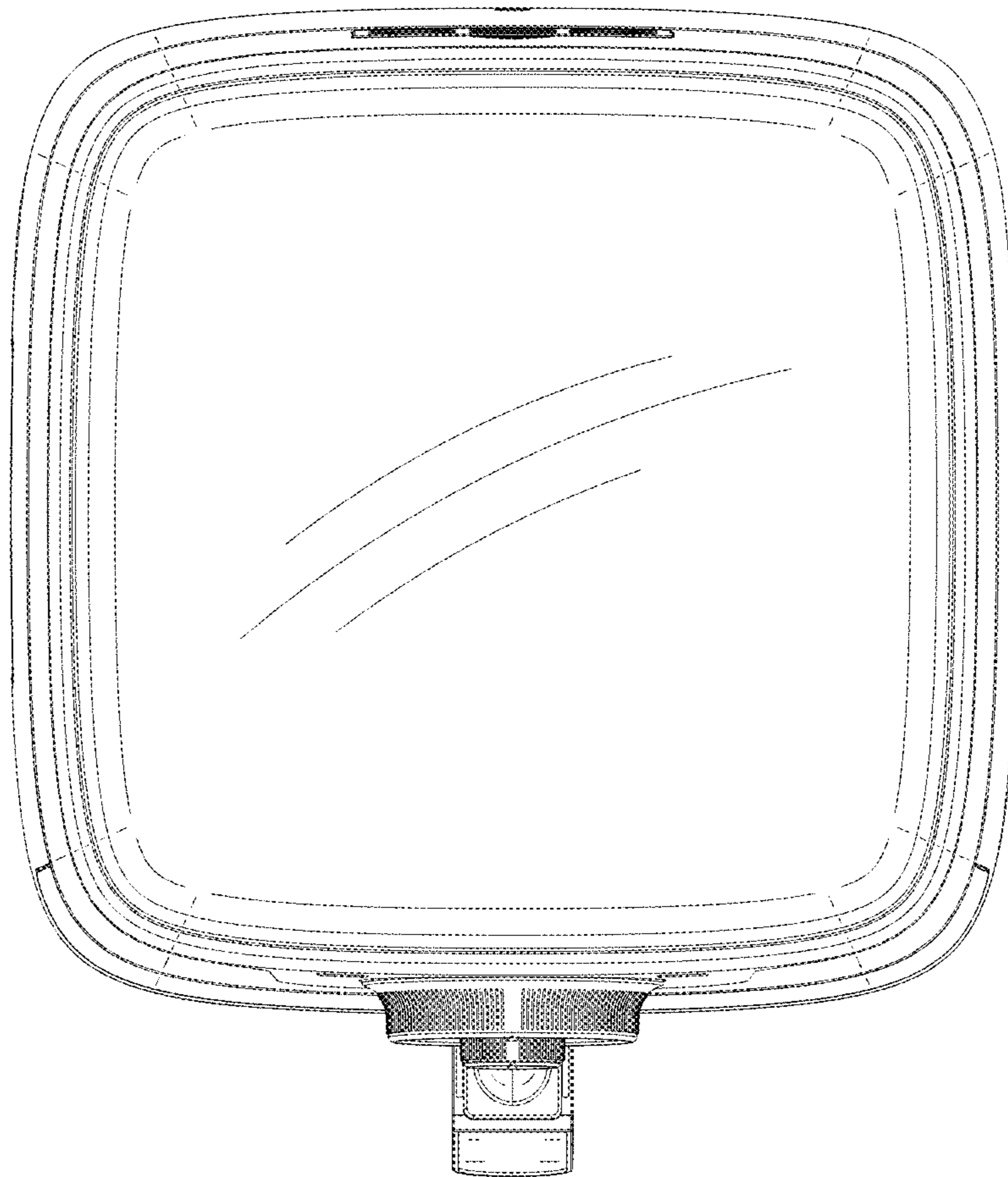


FIG. 6

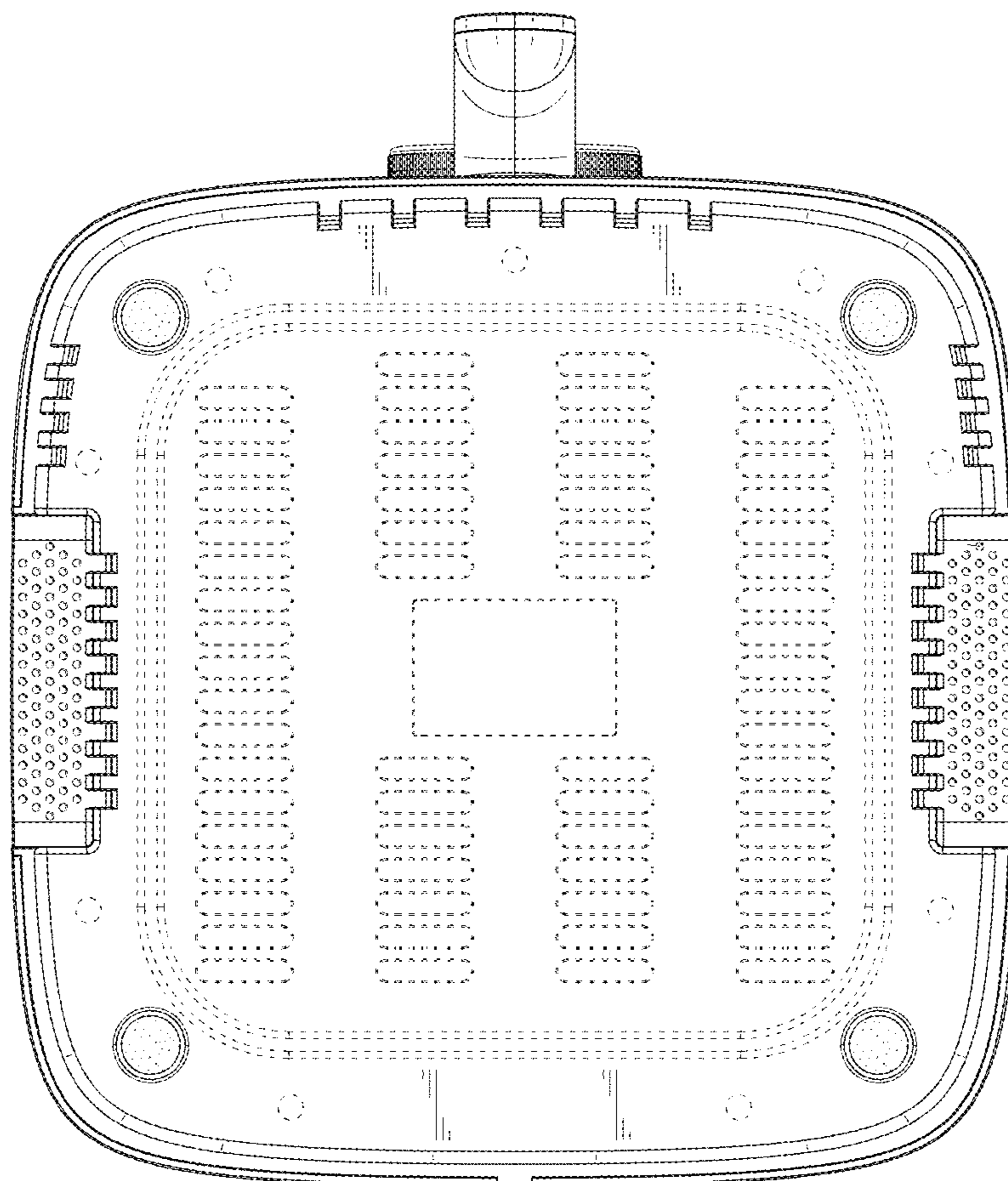


FIG. 7