



US00D932230S

(12) **United States Design Patent**
Wang

(10) **Patent No.:** **US D932,230 S**

(45) **Date of Patent:** **** Oct. 5, 2021**

(54) **OVEN**

(71) Applicant: **ILLINOIS TOOL WORKS INC.,**
Glenview, IL (US)

(72) Inventor: **Fuli Wang,** Guangdong (CN)

(73) Assignee: **ILLINOIS TOOL WORKS INC.,**
Glenview, IL (US)

(**) Term: **15 Years**

(21) Appl. No.: **29/739,180**

(22) Filed: **Jun. 23, 2020**

(30) **Foreign Application Priority Data**

Dec. 27, 2019 (CN) 201930733962.1

(51) **LOC (13) Cl.** **07-02**

(52) **U.S. Cl.**
USPC **D7/348**

(58) **Field of Classification Search**

USPC D7/323, 328-332, 339-349, 350.1, 351,
D7/390, 402-406; D8/300-306
CPC ... A21B 2/00; A47J 37/00; A47J 37/06; A47J
37/0611; A47J 37/0704; A47J 37/0781;
A47J 37/08; A47J 37/0807; A47J
37/0814; A47J 37/0835; A47J 37/0842;
A47J 37/085; A47J 37/0864; A47J
37/0878; A47J 37/0885; A47J 37/0892;
F24B 1/22; F24B 1/182; F24C 7/00;
F24C 7/002; F24C 7/046; F24C 7/067;
F24C 15/02; F24C 15/04; F24C 15/10;
F24C 15/102

See application file for complete search history.

(56) **References Cited**

U.S. PATENT DOCUMENTS

D247,948 S * 5/1978 Takeuchi D7/351
D424,862 S 5/2000 Holbrook

D468,962 S 1/2003 Jones
D524,095 S 7/2006 Pino
D525,476 S 7/2006 Bengtson
D527,948 S 9/2006 Bengtson
D560,958 S 2/2008 Shin
D592,009 S * 5/2009 Crookshanks D7/405
D612,209 S 3/2010 Crookshanks
D612,682 S 3/2010 Baker
D671,790 S 12/2012 Busalt
D709,726 S 7/2014 Borjesson
D710,646 S 8/2014 Borjesson
D724,889 S 3/2015 Borjesson
D728,309 S * 5/2015 Borjesson D7/405
D741,104 S 10/2015 Funnell, II
D747,912 S * 1/2016 Funnell, II D7/348
D754,476 S 4/2016 Crookshanks

(Continued)

Primary Examiner — Ricky Pham

(74) *Attorney, Agent, or Firm* — Thompson Hine LLP

(57) **CLAIM**

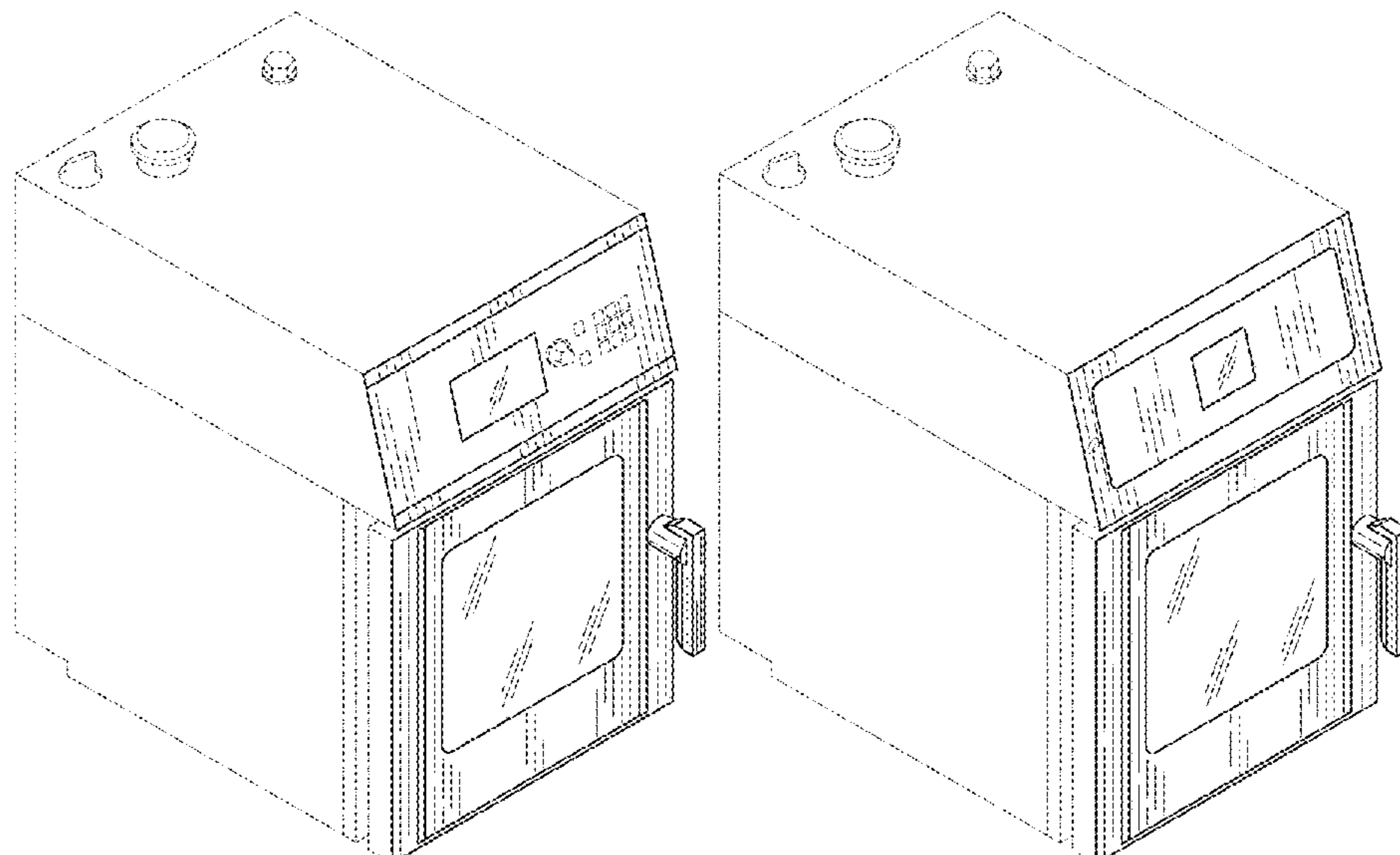
The ornamental design for an oven, as shown and described.

DESCRIPTION

FIG. 1 is a perspective view of an oven according to a first embodiment;
FIG. 2 is top view thereof;
FIG. 3 is a front view thereof;
FIG. 4 is right side view thereof;
FIG. 5 is a left side view thereof;
FIG. 6 is a bottom thereof;
FIG. 7 is a perspective view of an oven according to a second embodiment;
FIG. 8 is top view thereof;
FIG. 9 is a front view thereof;
FIG. 10 is a right side view thereof;
FIG. 11 is a left side view thereof; and,
FIG. 12 is a bottom view thereof.

The broken lines represent environmental structure and form no part of the claimed design.

1 Claim, 8 Drawing Sheets



(56)

References Cited

U.S. PATENT DOCUMENTS

D814,231 S 4/2018 Kim
D817,067 S 5/2018 Shoemaker
D817,705 S 5/2018 Kim
D821,799 S 7/2018 Kim
D821,813 S 7/2018 Kim
D829,484 S 10/2018 Kim
D836,393 S * 12/2018 Taccardi D7/405
D838,133 S 1/2019 Fuller
D840,184 S 2/2019 Kim
D840,185 S 2/2019 Kim
D866,253 S * 11/2019 Moretti D7/405
D869,232 S * 12/2019 Kim D7/402
D874,866 S * 2/2020 Carcano D7/348
D880,218 S 4/2020 Kim
D893,253 S * 8/2020 Kwon D7/405
D909,806 S * 2/2021 Hu D7/350.1
2010/0140247 A1 6/2010 Watkins
2012/0031389 A1 2/2012 McMaster

* cited by examiner

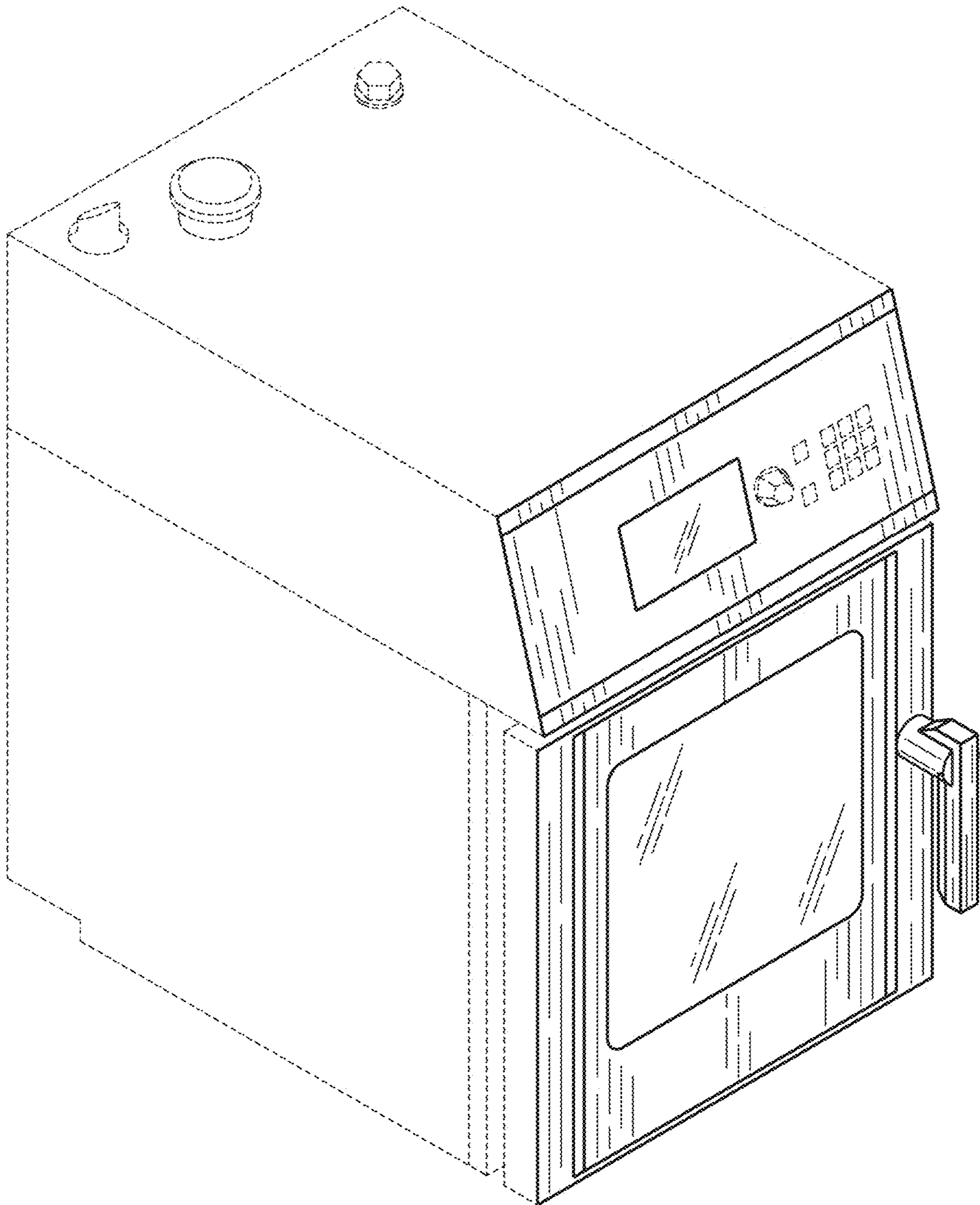


Fig. 1

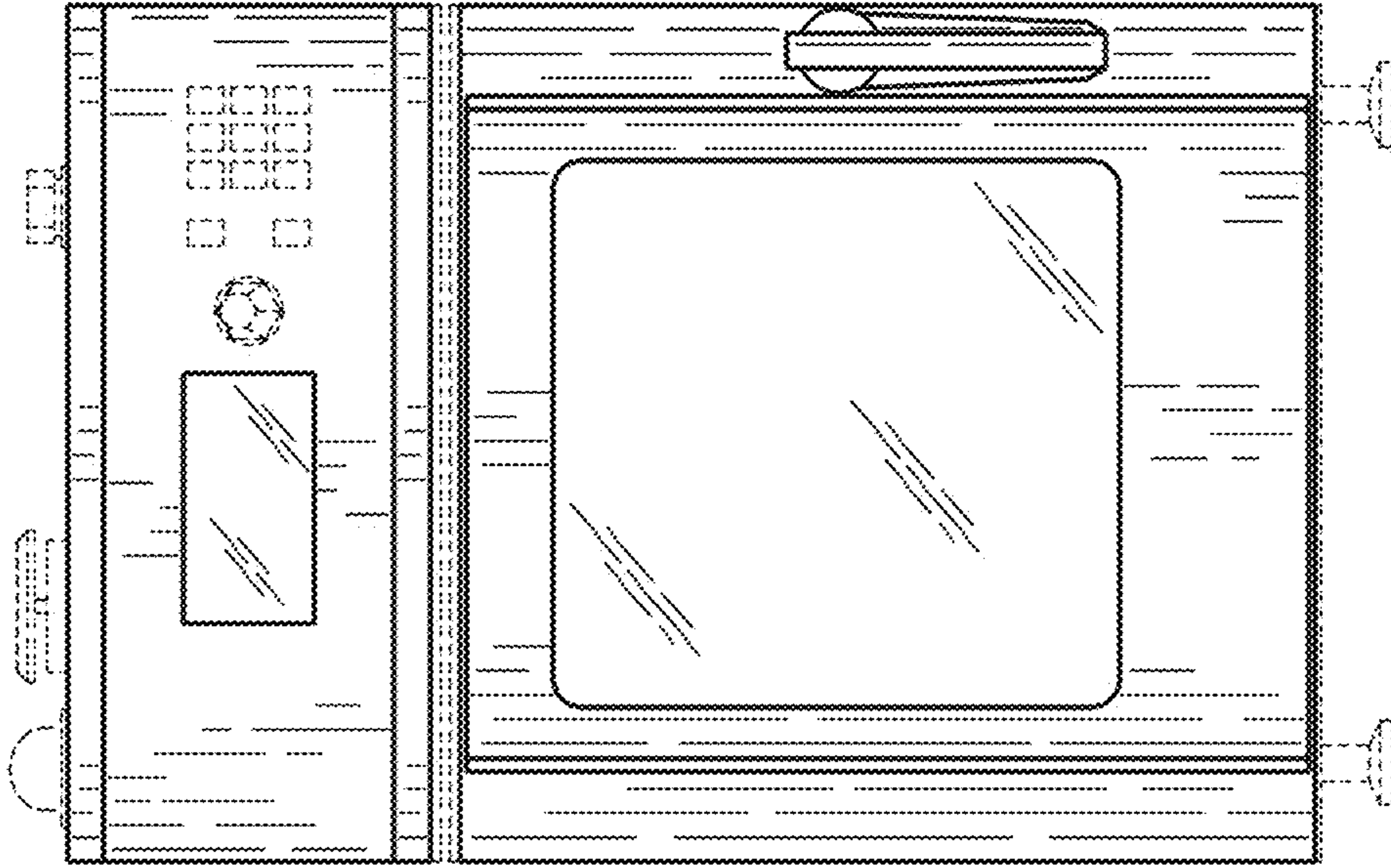


Fig. 3



Fig. 2

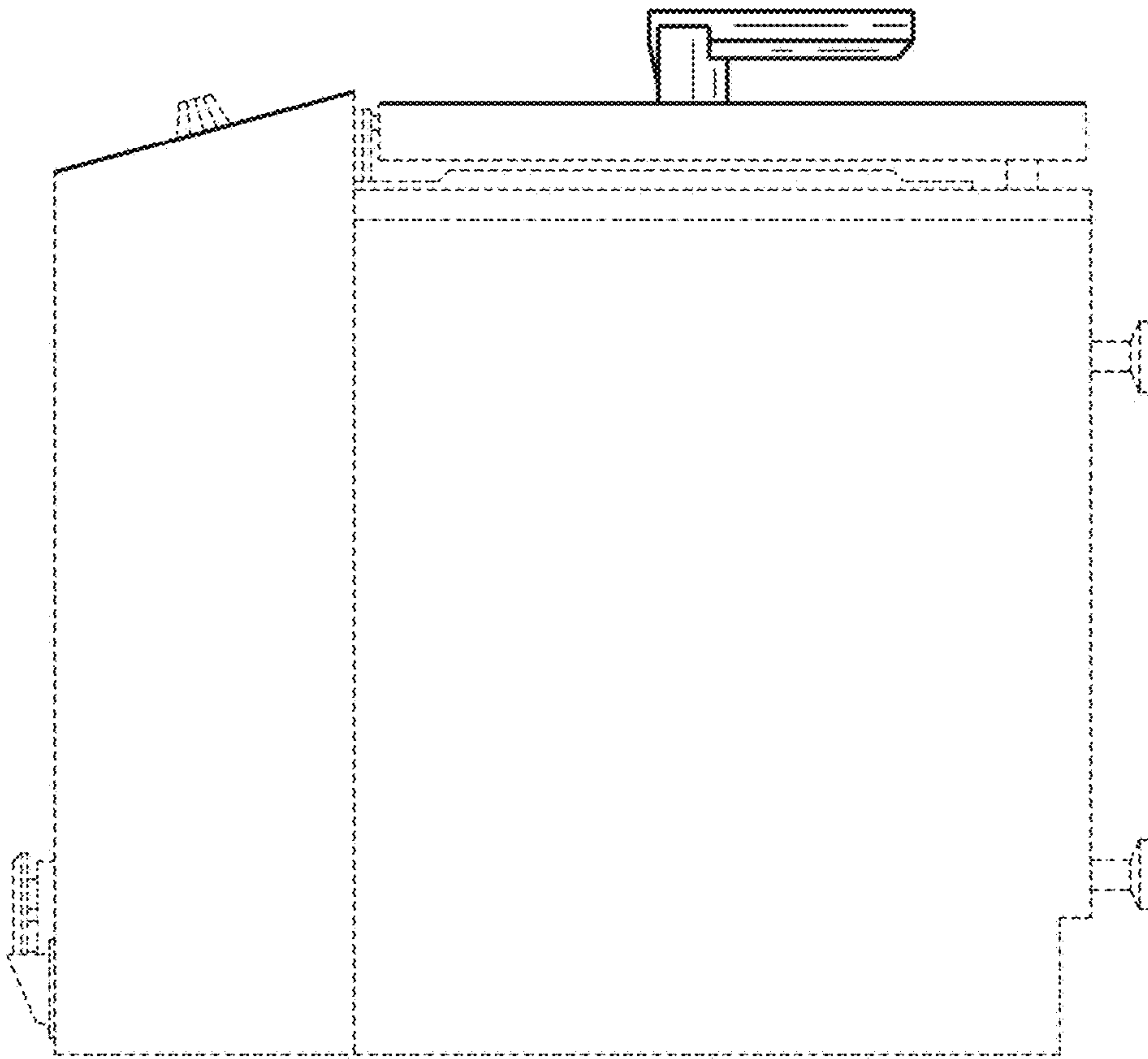


Fig. 4

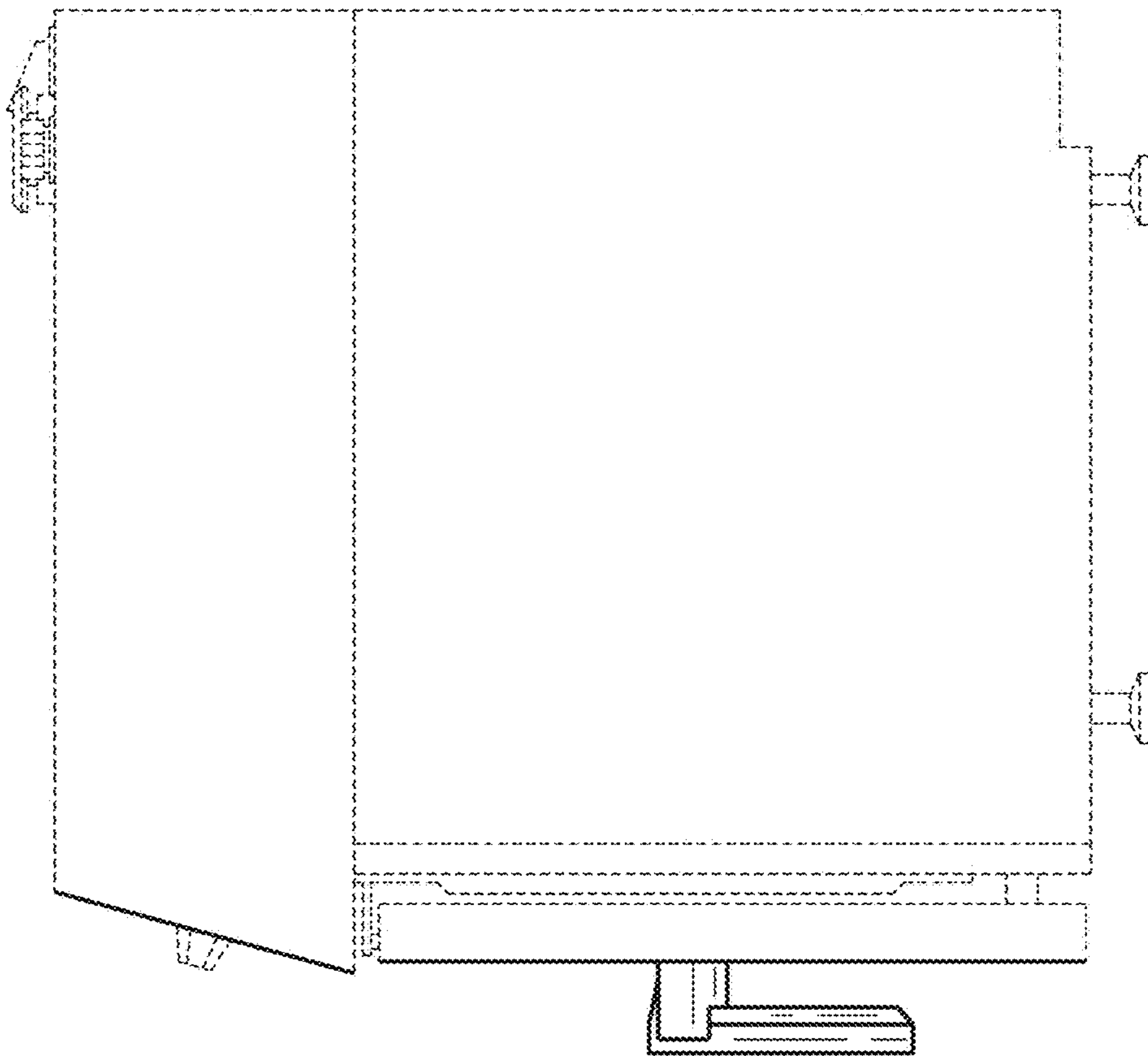


Fig. 5

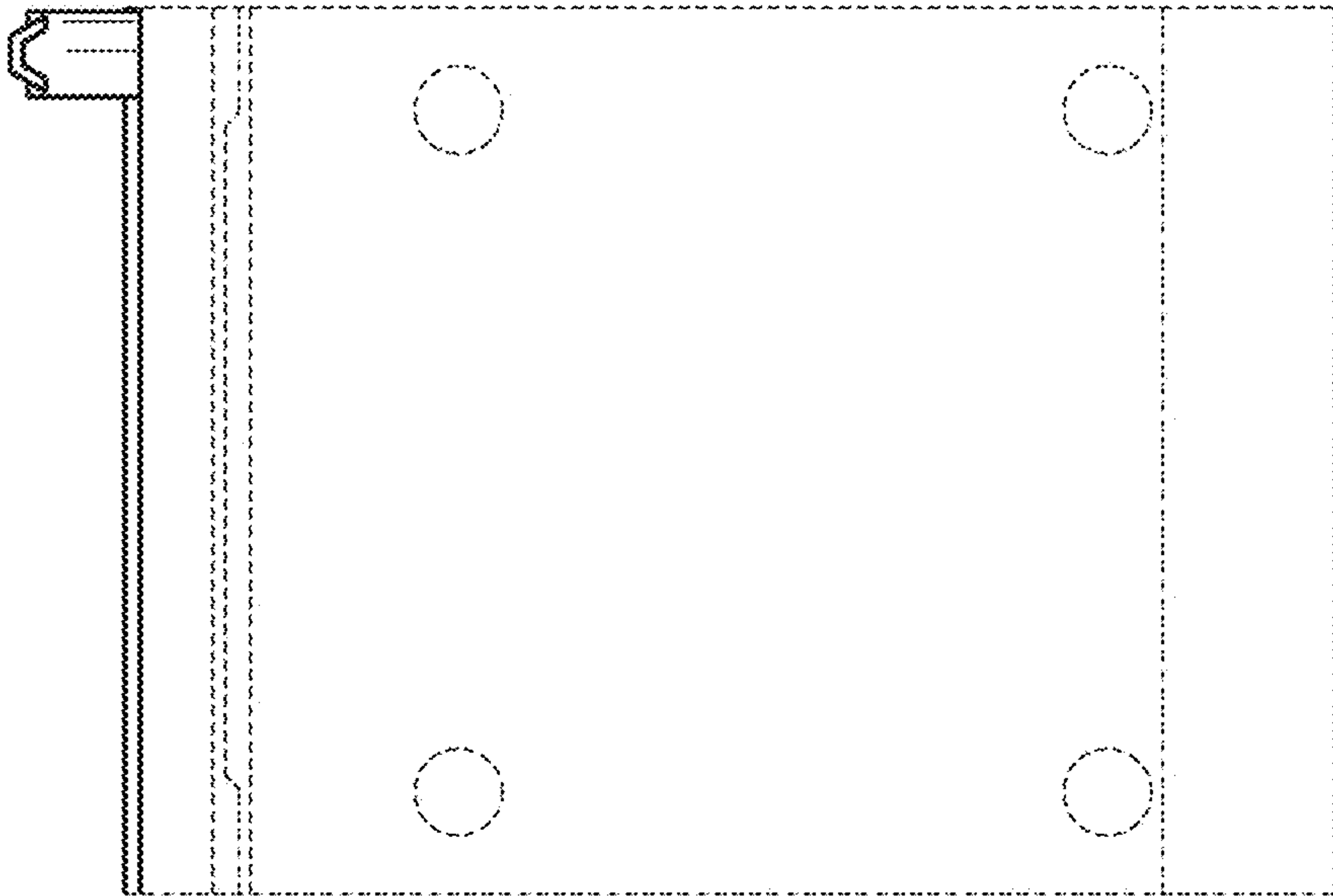


Fig. 6

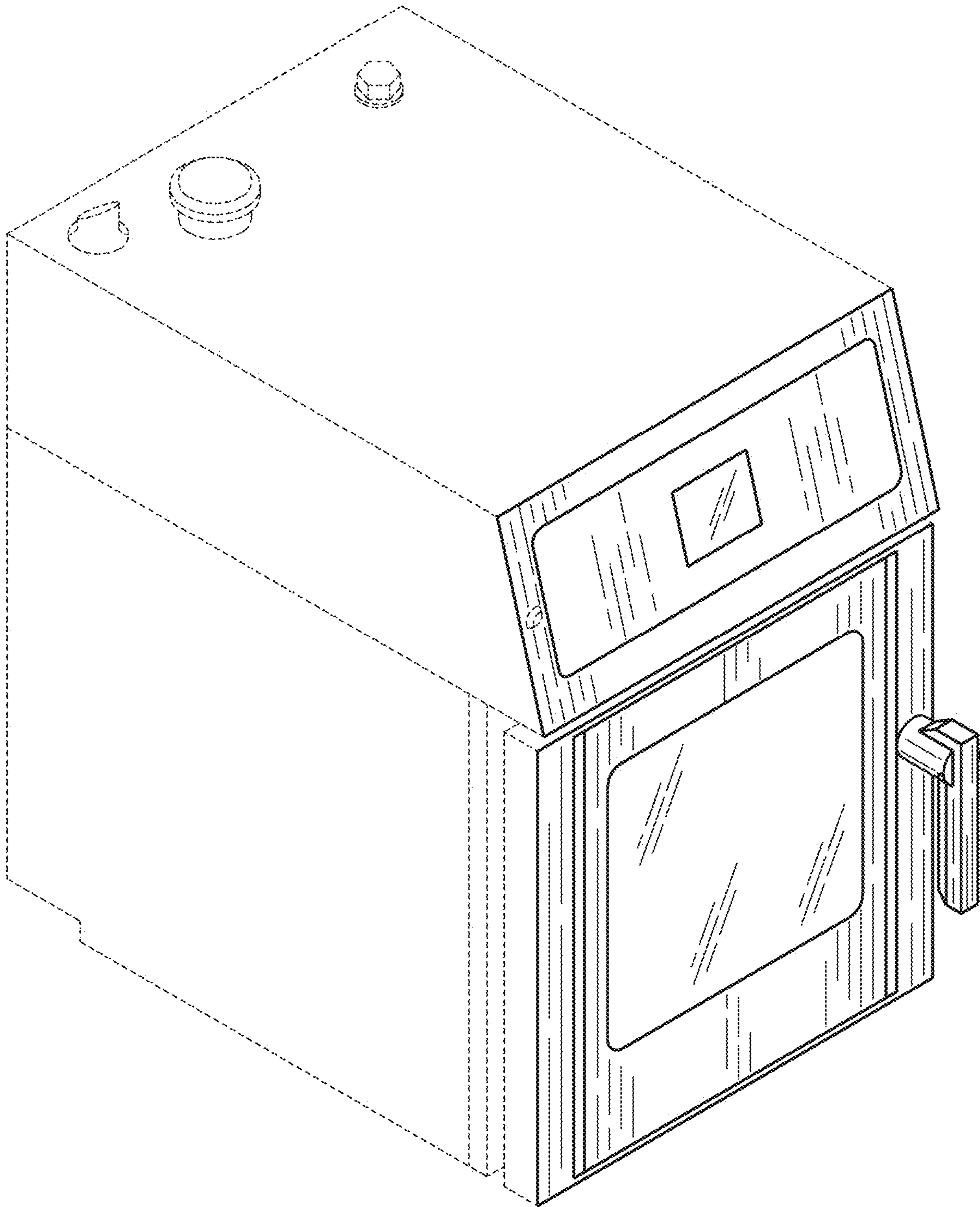


Fig. 7

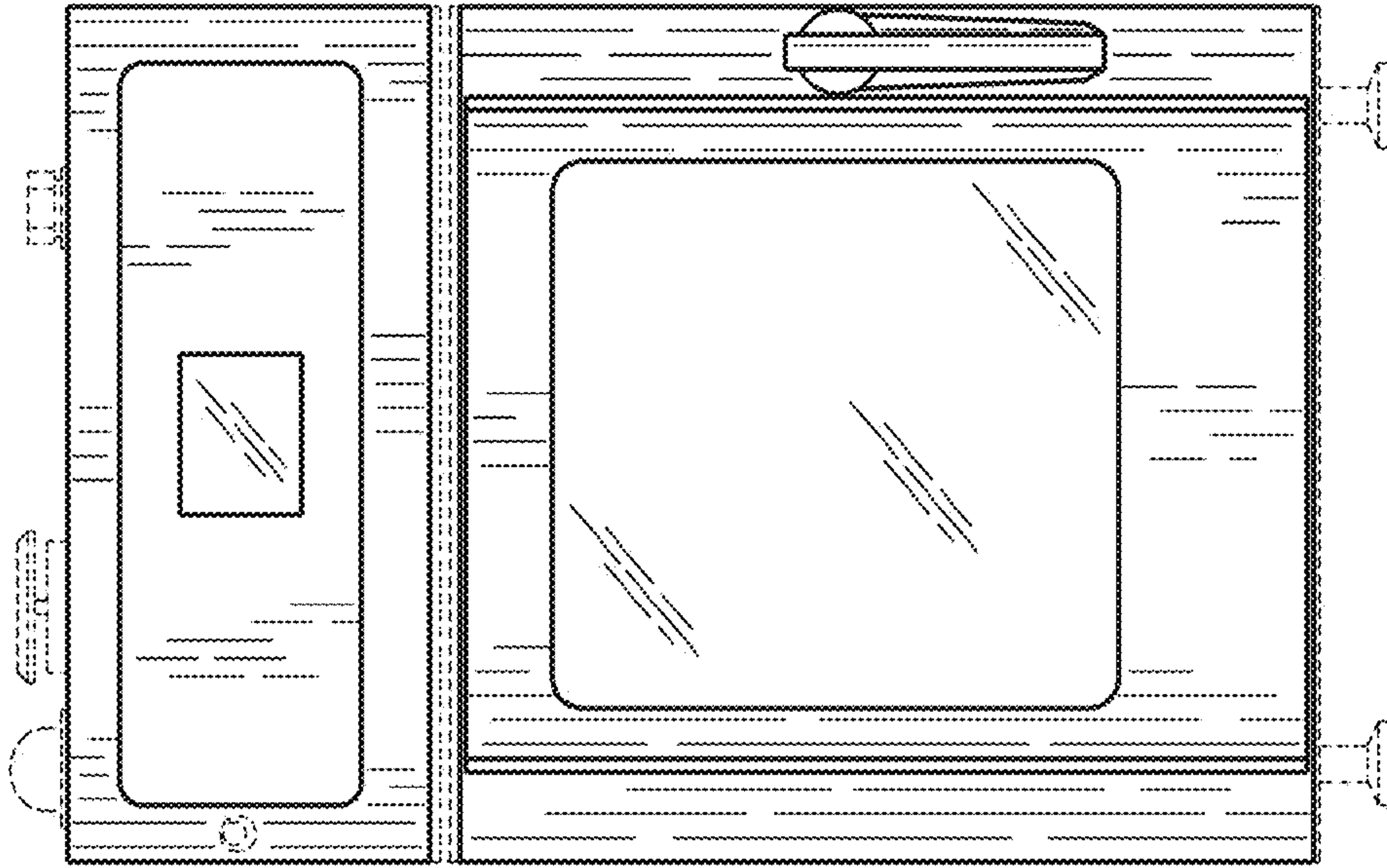


Fig. 9



Fig. 8

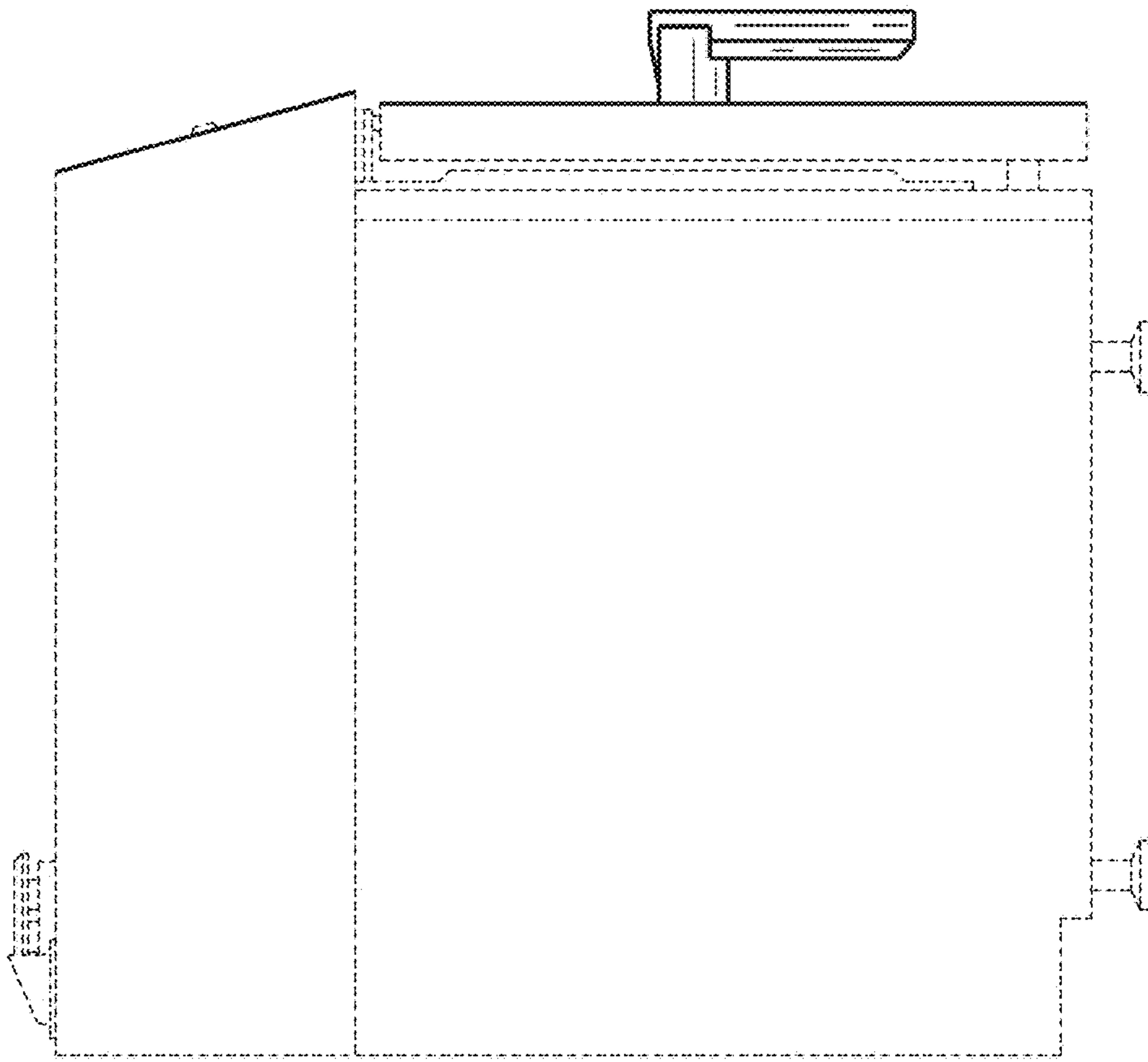


Fig. 11

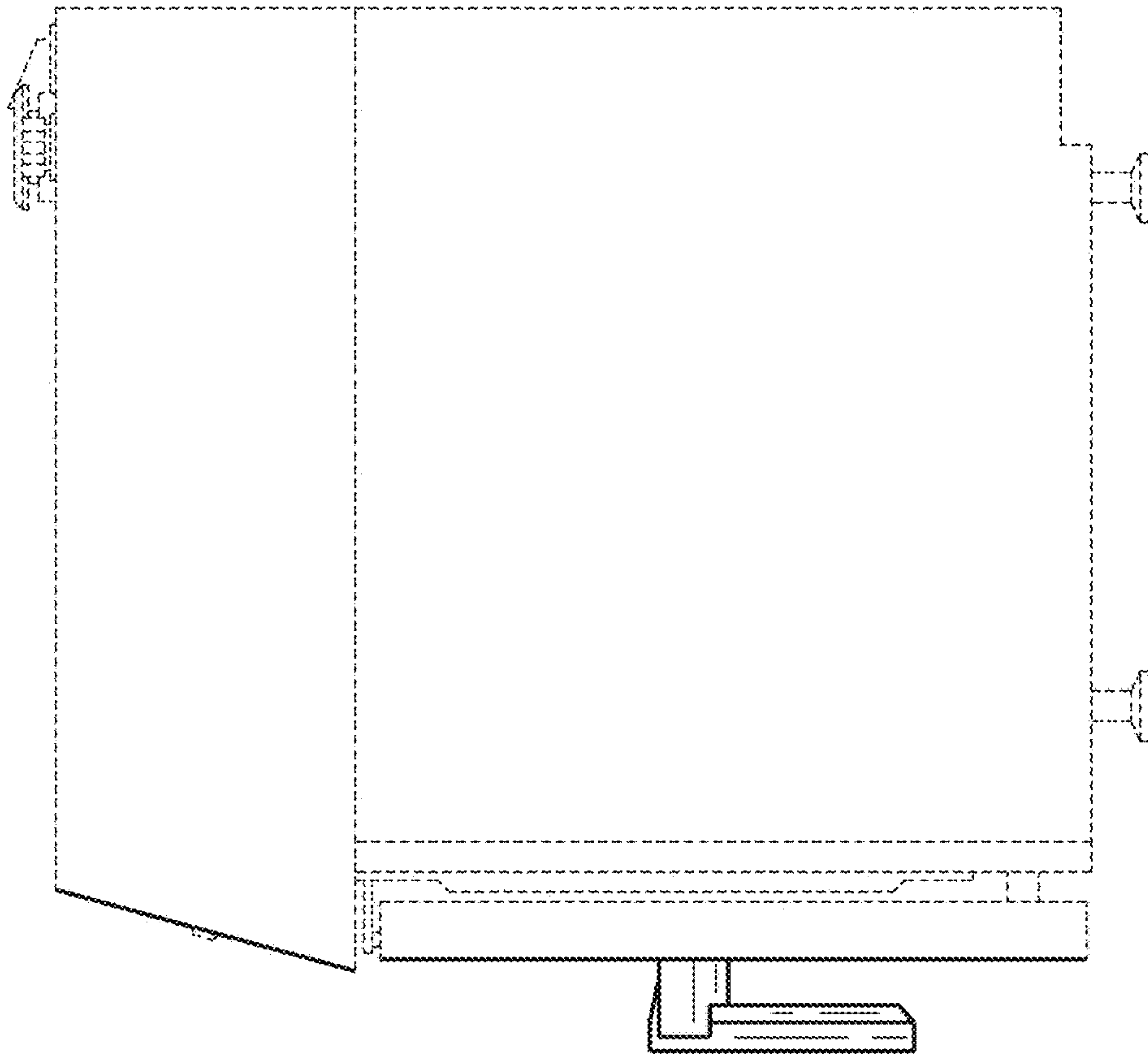


Fig. 10

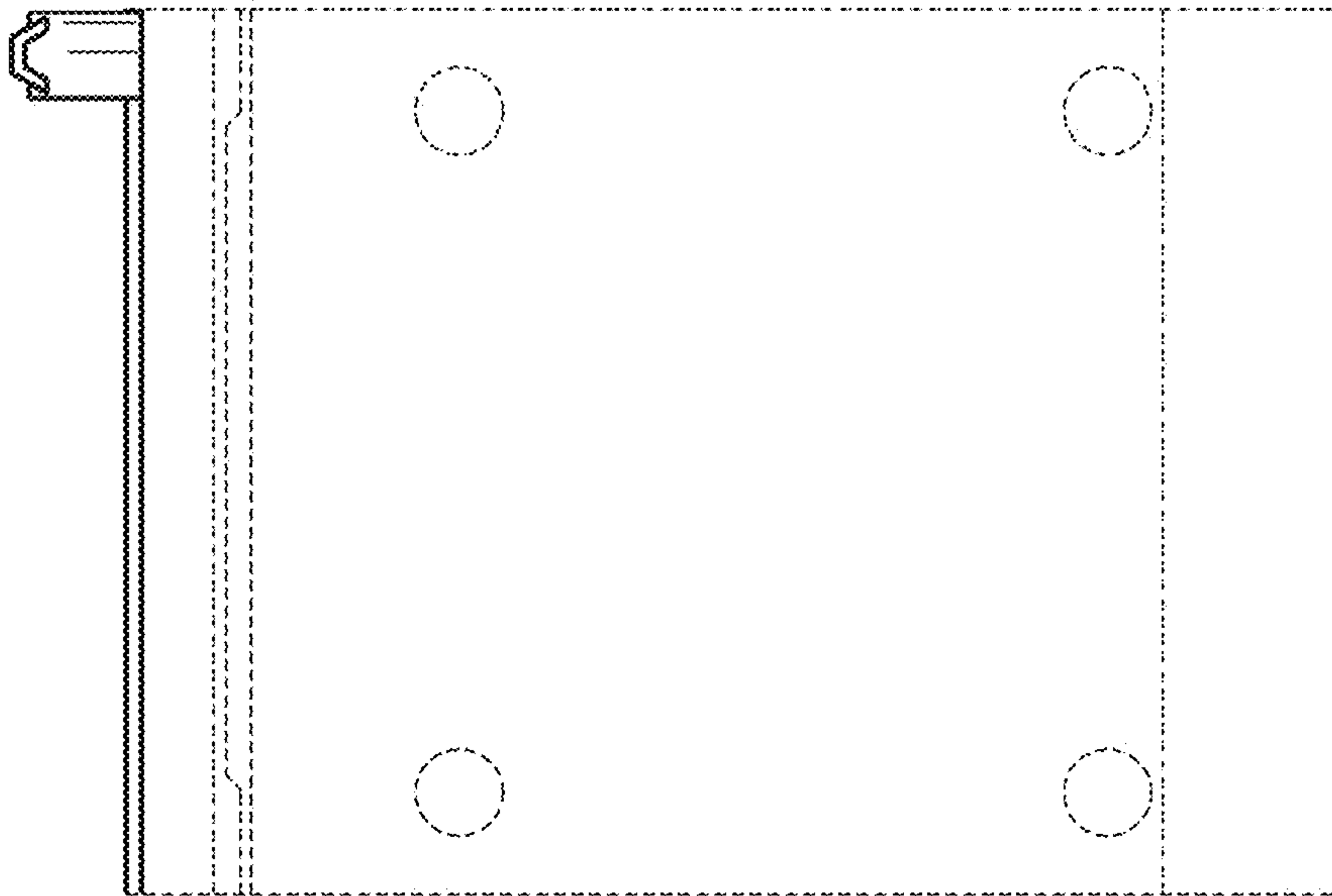


Fig. 12