



US00D932229S

(12) **United States Design Patent** (10) **Patent No.:** **US D932,229 S**
Raubenheimer (45) **Date of Patent:** **** Oct. 5, 2021**

(54) **GRILL**
(71) Applicant: **Pieter Jacobus Adriaan Raubenheimer**, Sasolburg (ZA)
(72) Inventor: **Pieter Jacobus Adriaan Raubenheimer**, Sasolburg (ZA)
(**) Term: **15 Years**

D685,601 S * 7/2013 Morabito D7/337
D730,104 S * 5/2015 Stredney D7/337
D762,409 S * 8/2016 Fisher D7/337
D789,731 S * 6/2017 Feng D7/354
D811,798 S * 3/2018 Mansueto D7/337
D908,414 S * 1/2021 Sun A47J 37/0763
D7/332
2018/0035846 A1 * 2/2018 Zheng A47J 37/0754
2018/0372324 A1 * 12/2018 Gamble A45F 4/00

(21) Appl. No.: **29/711,615**
(22) Filed: **Nov. 1, 2019**
(51) **LOC (13) Cl.** **07-02**
(52) **U.S. Cl.**
USPC **D7/337**
(58) **Field of Classification Search**
USPC D7/323, 332, 334-337, 339-341,
D7/346-349, 350.1, 350.3, 351-353, 362,
D7/363, 387, 402, 403, 405-409, 367;
D8/315-318
CPC .. A47J 33/00; A47J 36/00; A47J 36/26; A47J
37/00; A47J 37/04; A47J 37/06; A47J
37/0611; A47J 37/0623; A47J 37/0647;
A47J 37/0652; A47J 37/07; A47J
37/0704; A47J 37/0713; A47J 37/0718;
A47J 37/0727; A47J 37/0731; A47J
37/074; A47J 37/0754; A47J 37/0763;
A47J 207/0777; F23D 14/10; F24C 1/00;
F24C 3/00; F24C 3/002; F24C 3/022;
F24C 3/042; F24C 3/08; F24C 3/082;
F24C 3/10; F24C 3/106; F24C 3/14;
F24C 7/00; F24C 7/02; F24C 7/04; F24C
7/043; F24C 7/10; F24C 7/083; F24C
15/10; F24C 15/36
See application file for complete search history.

(56) **References Cited**
U.S. PATENT DOCUMENTS
4,726,349 A * 2/1988 Gehrke A47J 37/0763
126/145
D427,839 S * 7/2000 Toyama D7/332

OTHER PUBLICATIONS

Design No. 127830-001, Sep. 8, 1978—France National Institute Of Industrial Property (INPI) Publication Date—May 10, 1979 Owner—De La Bruyere Vincent Michel WIPO, available at <https://www3.wipo.int/designdb/en/index.jsp> (Year: 1979).*

(Continued)

Primary Examiner — Mary Ann Calabrese
Assistant Examiner — Natalya M Rapundalo
(74) *Attorney, Agent, or Firm* — Tutunjian & Bitetto, P.C.

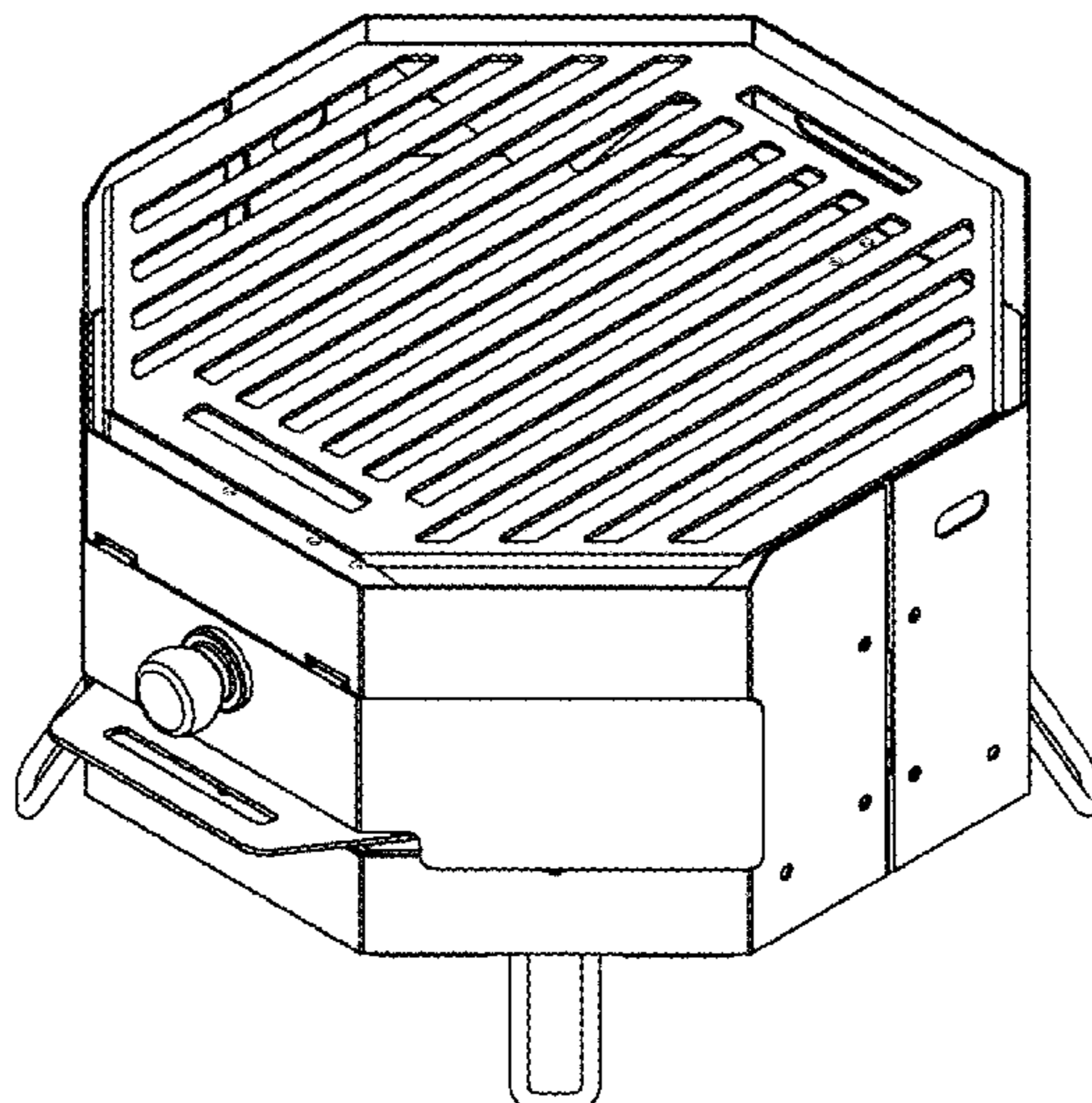
(57) **CLAIM**

The ornamental design for a grill, as shown and described.

DESCRIPTION

FIG. 1 is a left perspective view of the grill showing my new design;
FIG. 2 is a right perspective view thereof;
FIG. 3 is a front view thereof;
FIG. 4 is right side view thereof, the left side being a mirror image of the right side;
FIG. 5 is a rear view thereof;
FIG. 6 is a top view thereof; and,
FIG. 7 is a bottom view thereof.
The broken lines in the drawings depict structure that forms no part of the claimed design.

1 Claim, 7 Drawing Sheets



(56)

References Cited

OTHER PUBLICATIONS

Design No. 002574657-0001, Nov. 10, 2014—European Union Intellectual Property Office (EUIPO) Publication Date—Dec. 12, 2014 Owner—Elegant Union Industrial Co Ltd DesignView, available at www.tmdn.org/tmdsview-web/welcome (Year: 2014).*

Design No. 6009978, Mar. 30, 2017—UK Intellectual Property Office Publication Date—Mar. 30, 2017 Owner—Yuda Internet Technology Company Limited DesignView, available at www.tmdn.org/tmdsview-web/welcome (Year: 2017).*

Design No. D1664896, Jul. 13, 2020—Japan Patent Office Publication Date—Aug. 3, 2020 Owner—Pearl Metal Co., Ltd., Designer—Takanami Fumio WIPO, available at <https://www3.wipo.int/designdb/en/index.jsp> (Year: 2020).*

Gecko Grill, Gecko Grill Company, [online], [site visited Feb. 4, 2021], Available from internet URL: <https://geckogrill.co.za/product/gecko-grill-pizza/> (Year: 2021).*

* cited by examiner

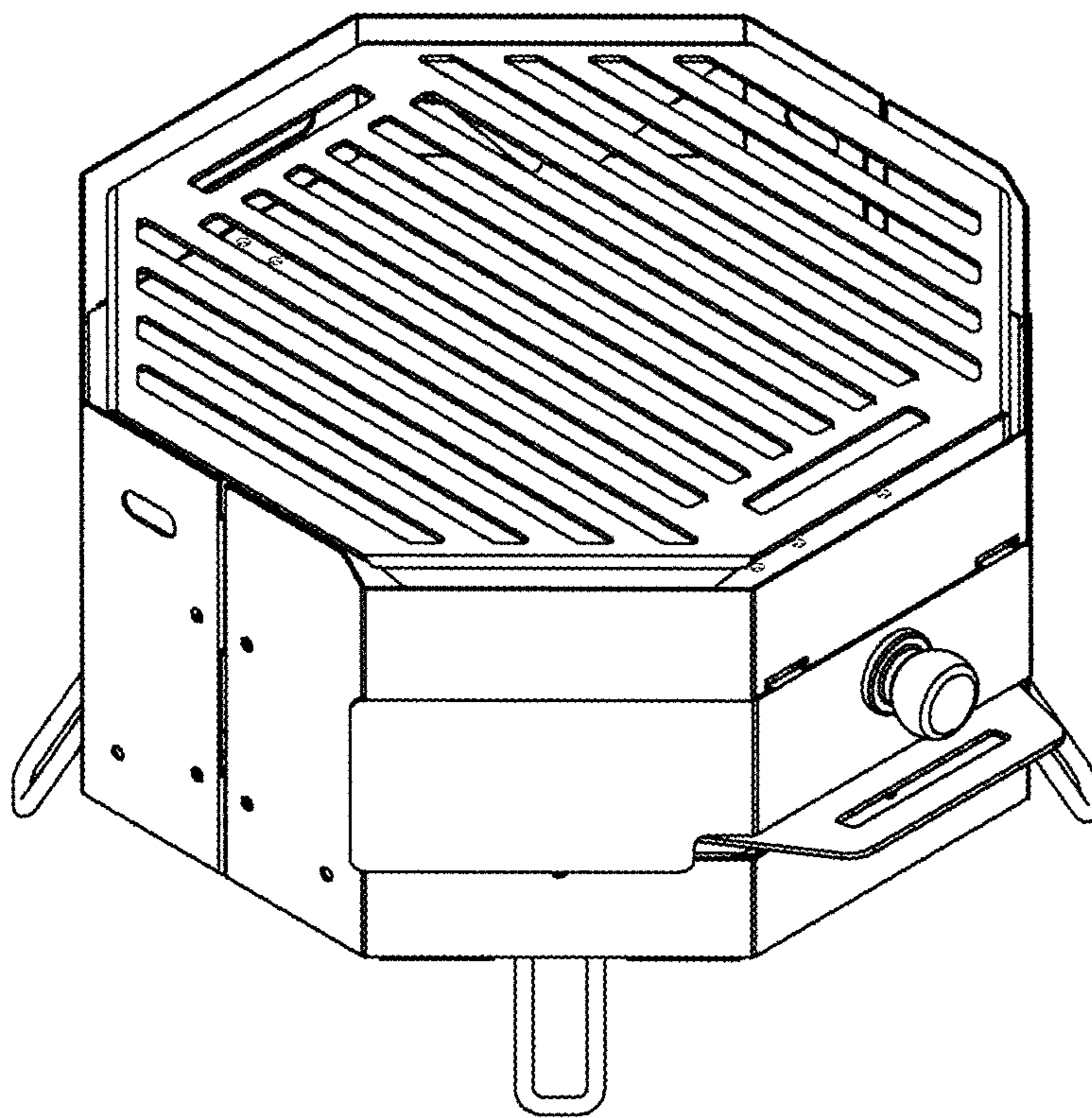


FIG. 1

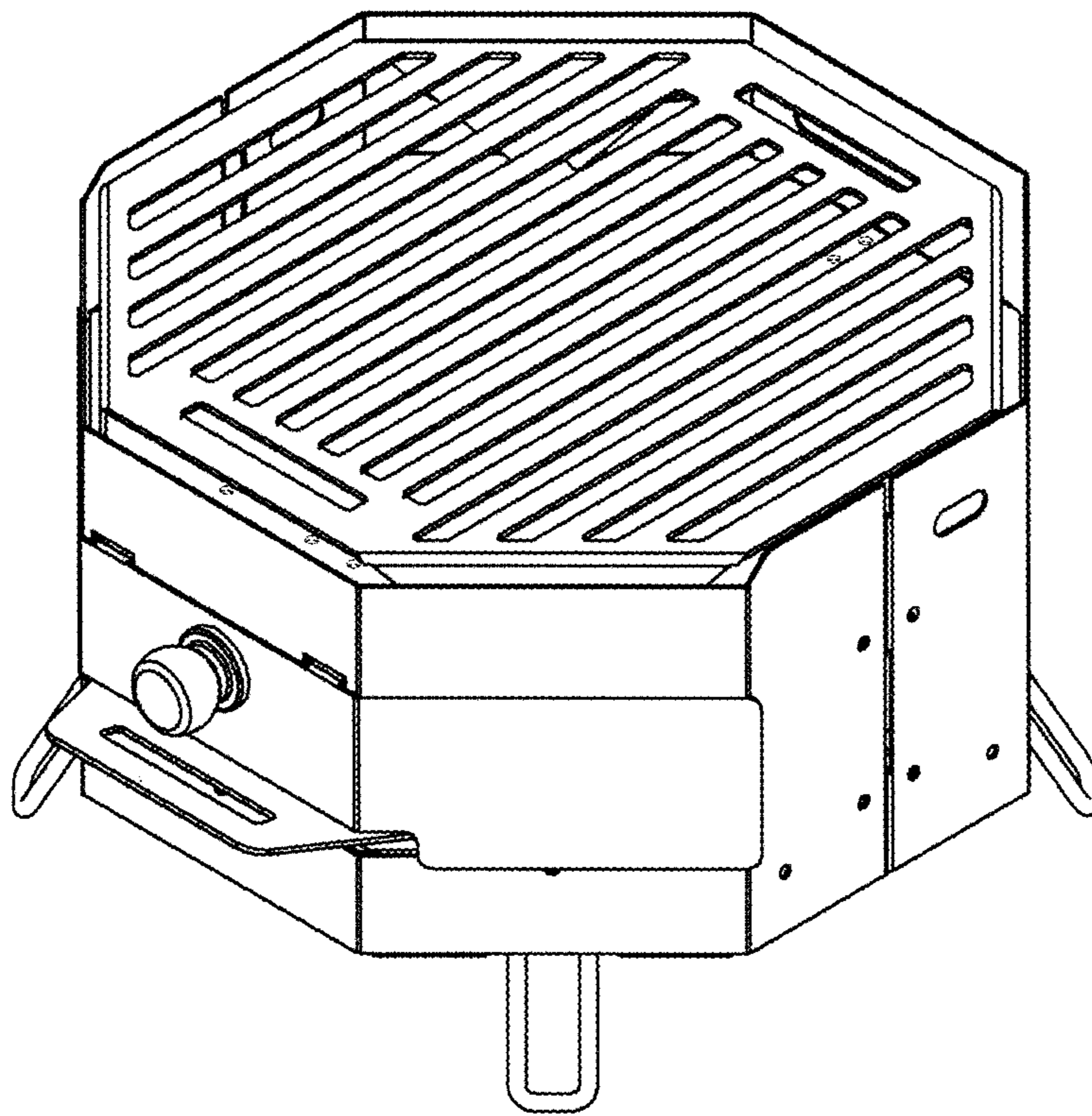


FIG. 2

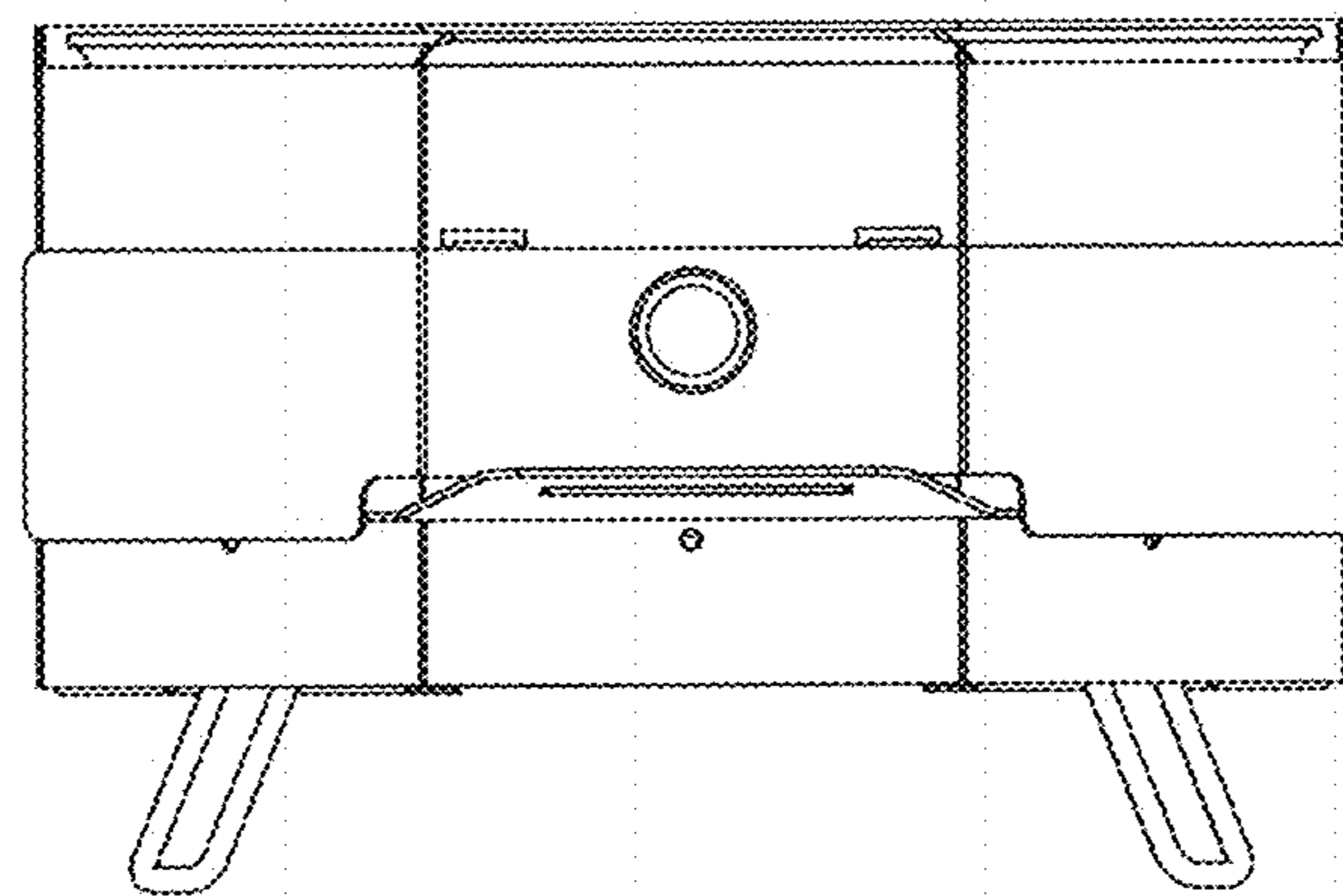
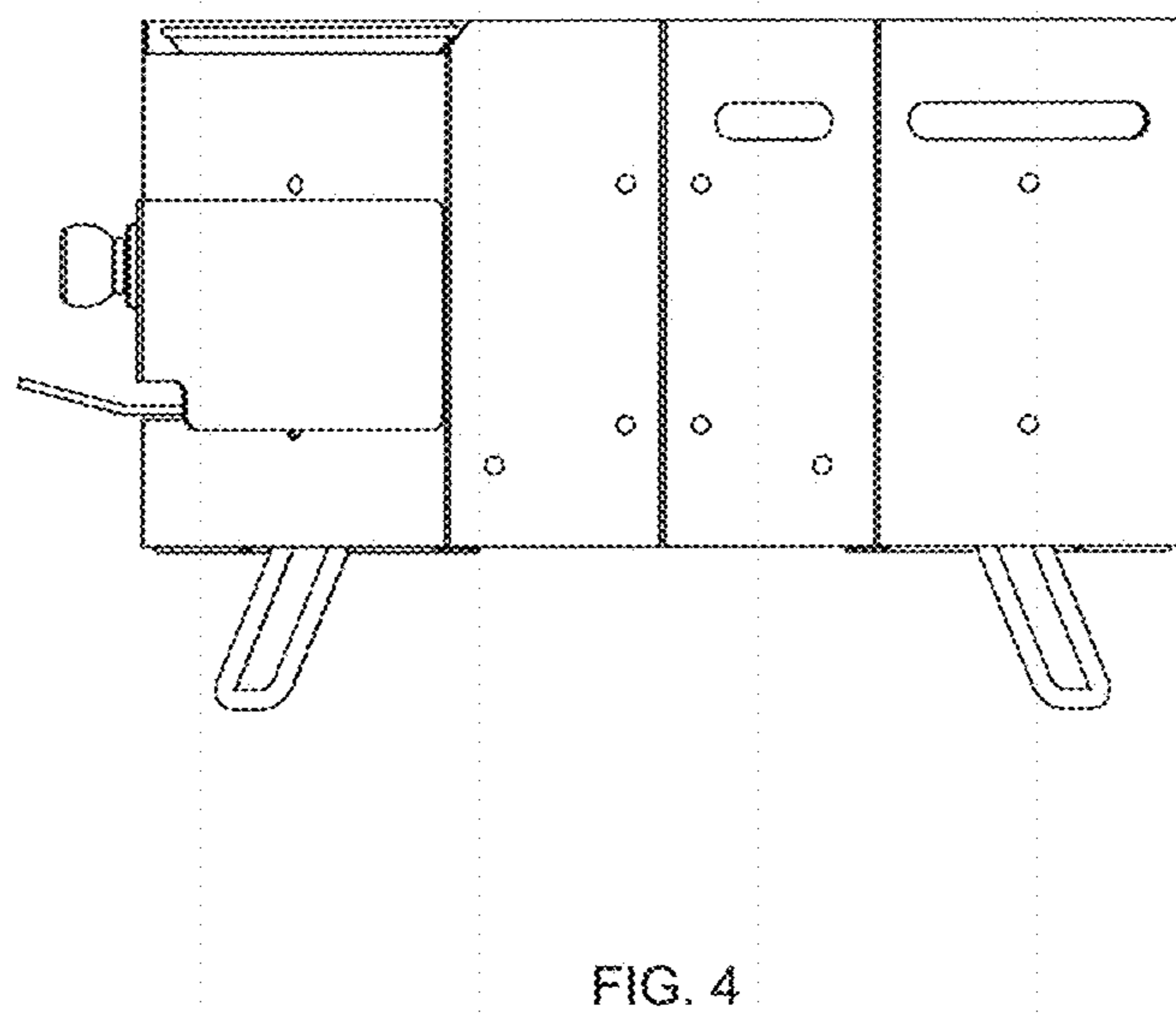


FIG. 3



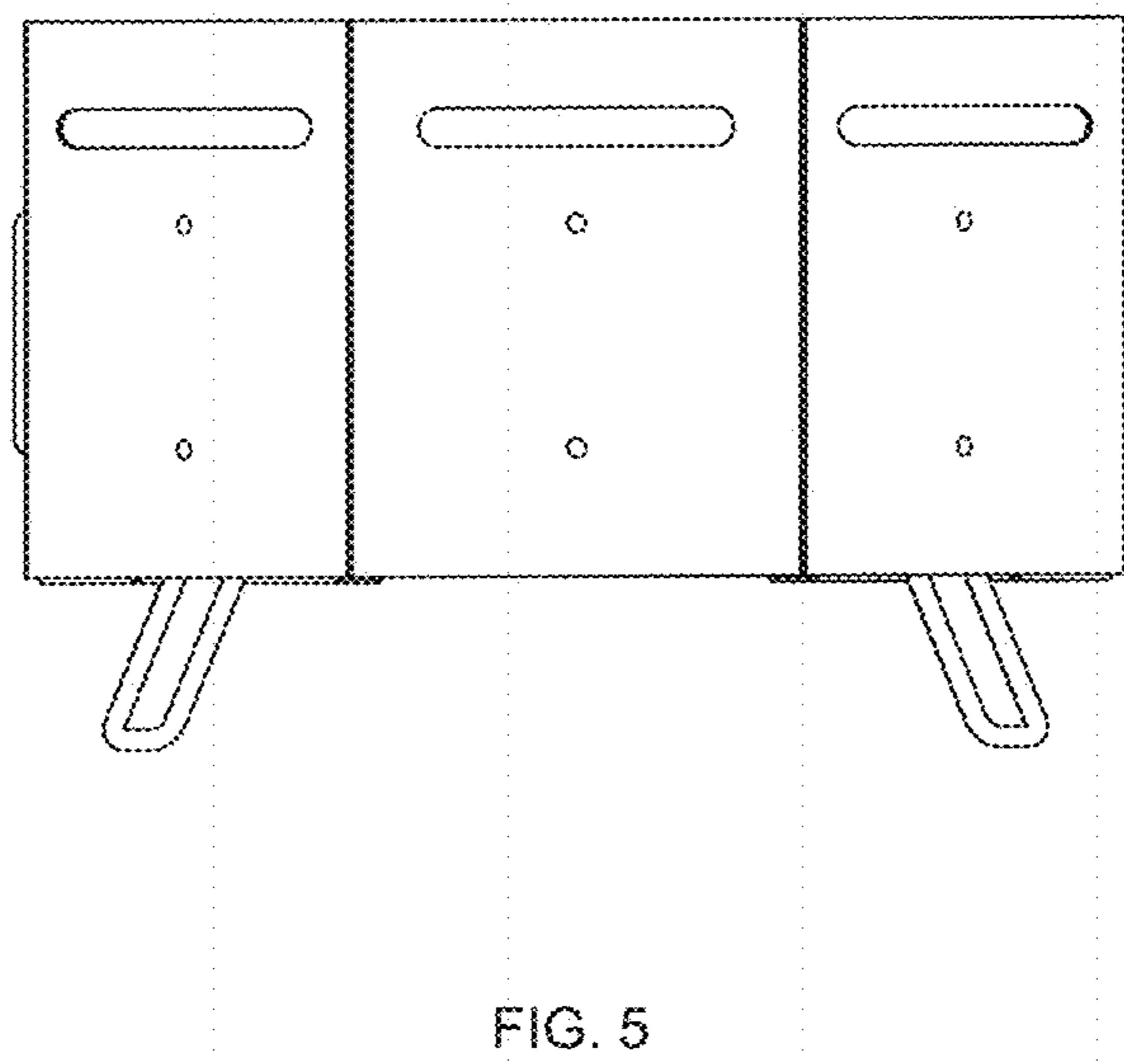


FIG. 5

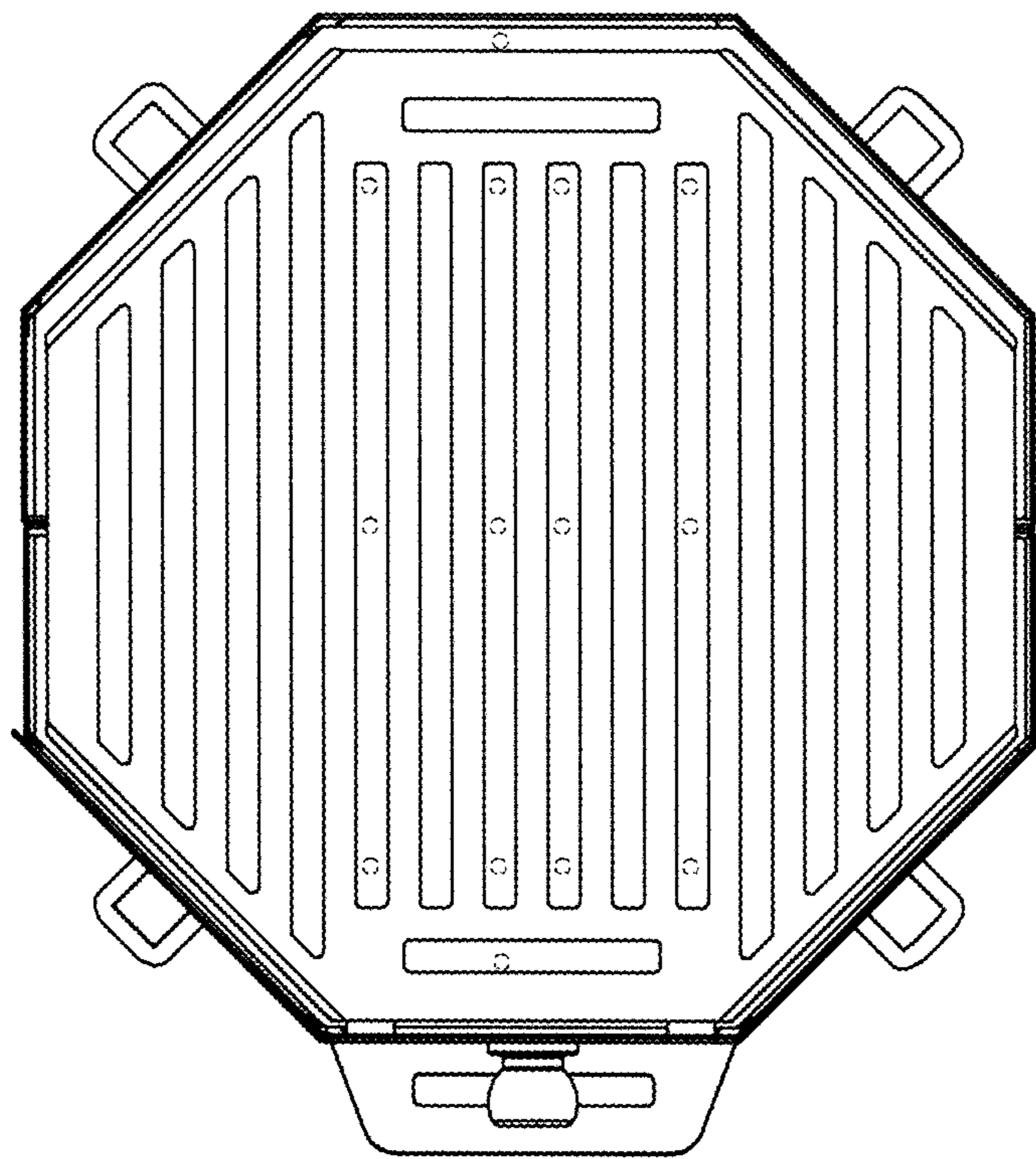


FIG. 6

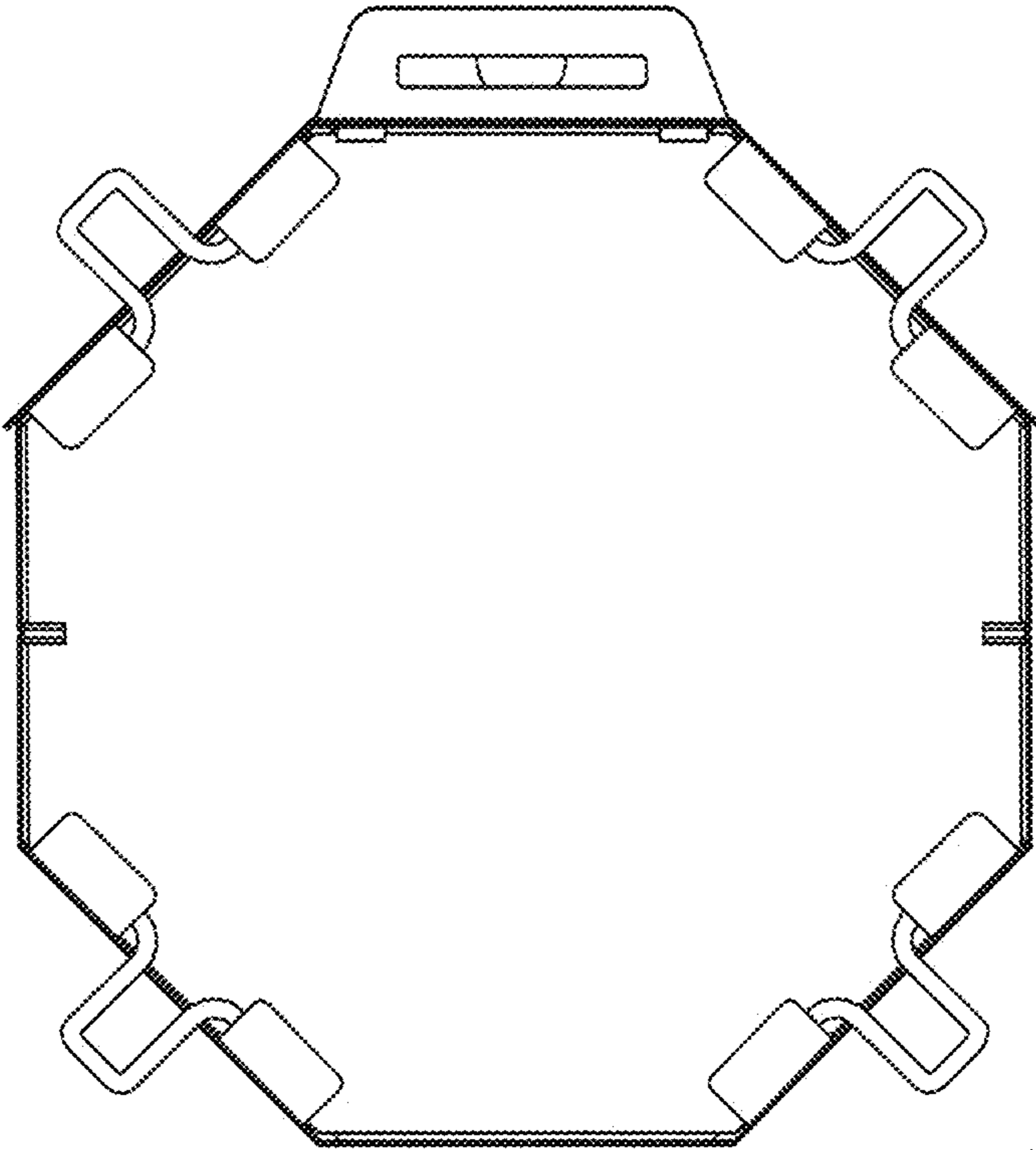


FIG. 7