



US00D932227S

(12) **United States Design Patent**
Papiernik

(10) **Patent No.:** **US D932,227 S**

(45) **Date of Patent:** **** Oct. 5, 2021**

(54) **COOKING BLENDER, STEAMER, WARMER,
AND DEFROSTER FOR BABY FOOD**

(71) Applicant: **BEABA**, Paris (FR)

(72) Inventor: **Elie Papiernik**, Paris (FR)

(73) Assignee: **BEABA**, Paris (FR)

(**) Term: **15 Years**

(21) Appl. No.: **35/508,556**

(22) Filed: **Aug. 8, 2019**

(80) **Hague Agreement Data**

Int. Filing Date: **Aug. 8, 2019**

Int. Reg. No.: **DM/205342**

Int. Reg. Date: **Aug. 8, 2019**

Int. Reg. Pub. Date: **Feb. 14, 2020**

(30) **Foreign Application Priority Data**

Feb. 21, 2019 (EM) 006264537

(51) **LOC (13) Cl.** **07-02**

(52) **U.S. Cl.**

USPC **D7/326**

(58) **Field of Classification Search**

USPC D7/323, 326-327, 368, 601, 602, 605

CPC A01J 9/08; A23L 3/10; A47J 27/04; A47J

27/004; A47J 36/24; A47J 36/2411; A47J

36/2416; A47J 36/2433; A47J 36/2438;

A47J 39/00; A47J 39/006; A47J 41/00;

H05B 3/0004

See application file for complete search history.

(56) **References Cited**

U.S. PATENT DOCUMENTS

7,905,757 B1 * 3/2011 Stapleton A63H 33/04

446/85

D843,776 S * 3/2019 Sandberg D7/378

D894,662 S * 9/2020 Beneteau D7/326

2007/0238359 A1 * 10/2007 Gutierrez H02M 1/126

439/620.01

2010/0147869 A1 * 6/2010 Iliffe B65D 83/10

221/232

2019/0030776 A1 * 1/2019 Schoonover F16B 21/084

2020/0187697 A1 * 6/2020 Stewart A47J 27/08

2020/0253087 A1 * 8/2020 Torok H05K 7/20854

* cited by examiner

Primary Examiner — Michael A. Pratt

(74) *Attorney, Agent, or Firm* — Oliff PLC

(57) **CLAIM**

The ornamental design for a cooking blender, steamer, warmer, and defroster for baby food, as shown and described.

DESCRIPTION

1. Cooking blender, steamer, warmer, and defroster for baby food

1.1 is a right-side elevational view

1.2 is a rear elevational view

1.3 is a front elevational view

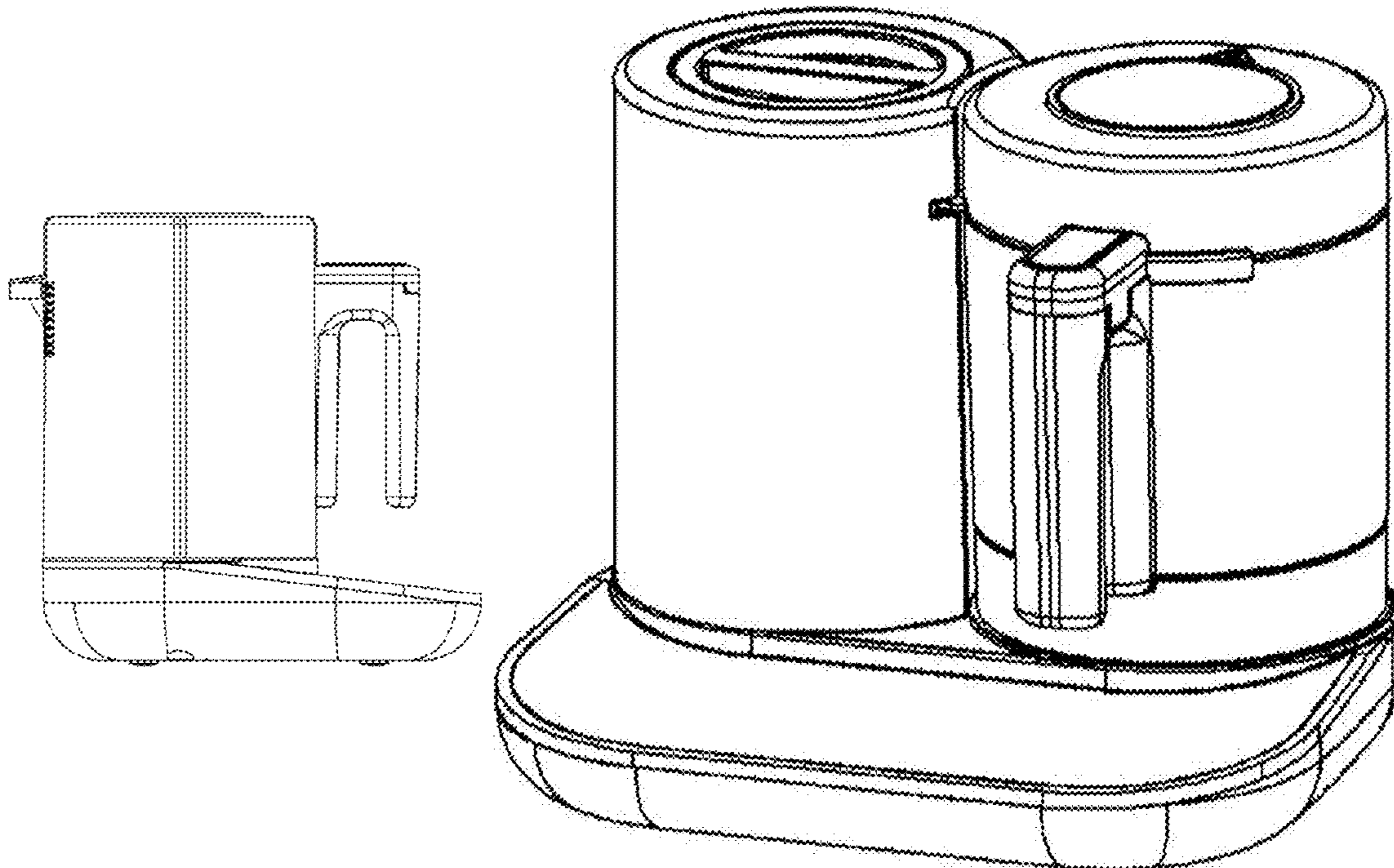
1.4 is a top plan view

1.5 is a bottom plan view

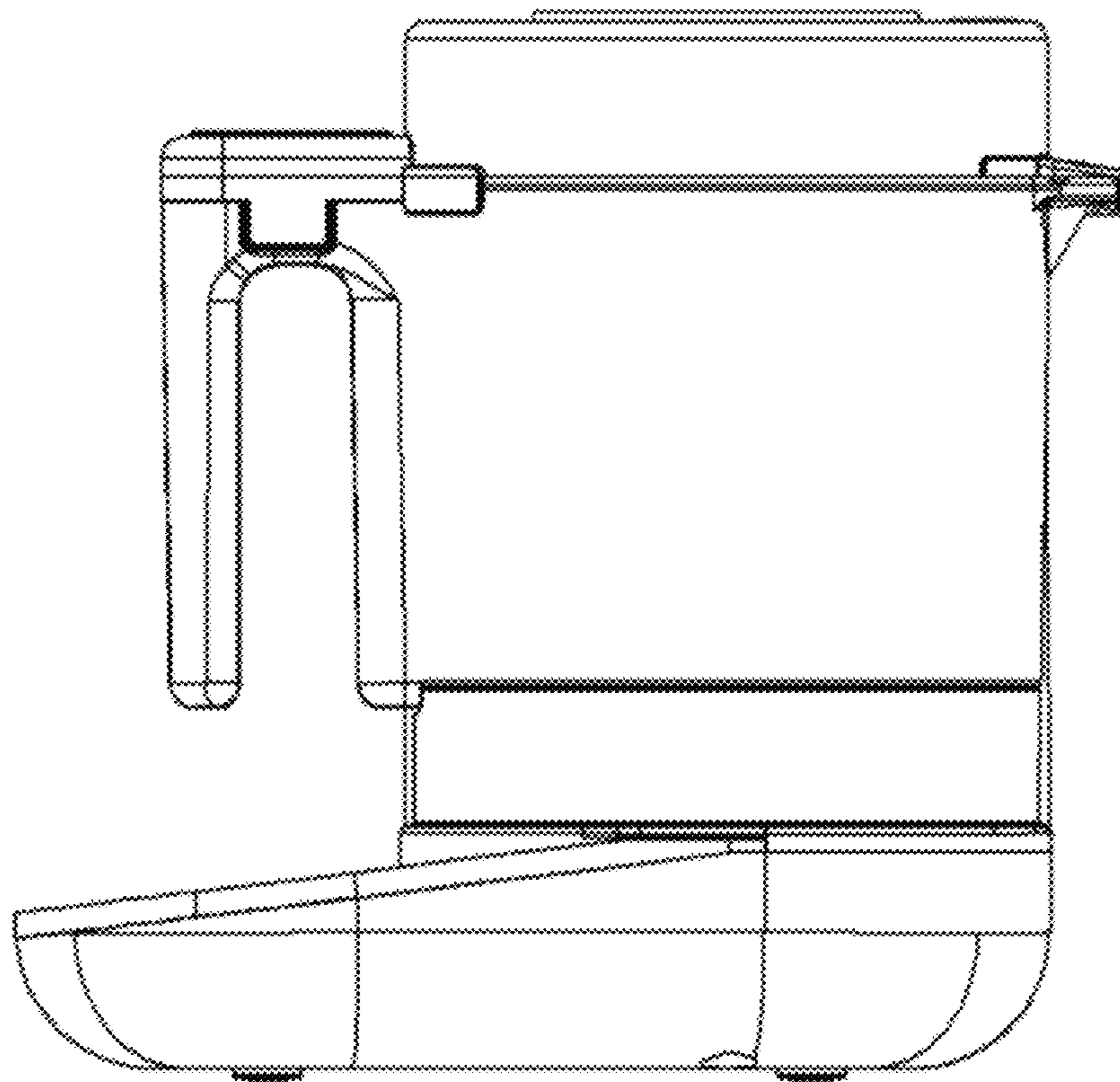
1.6 is a left-side elevational view

1.7 is a front, right-side, top perspective view

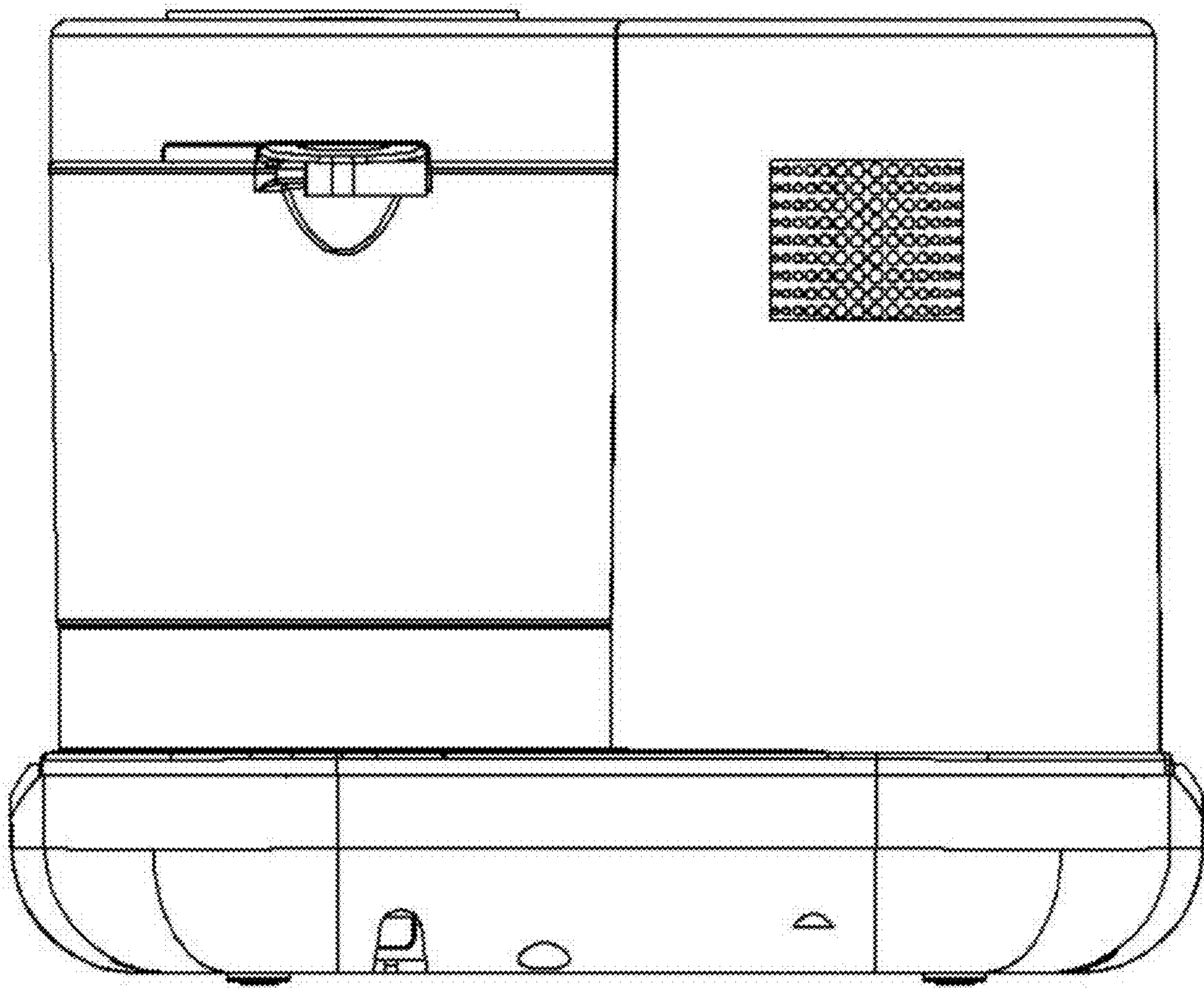
1 Claim, 7 Drawing Sheets



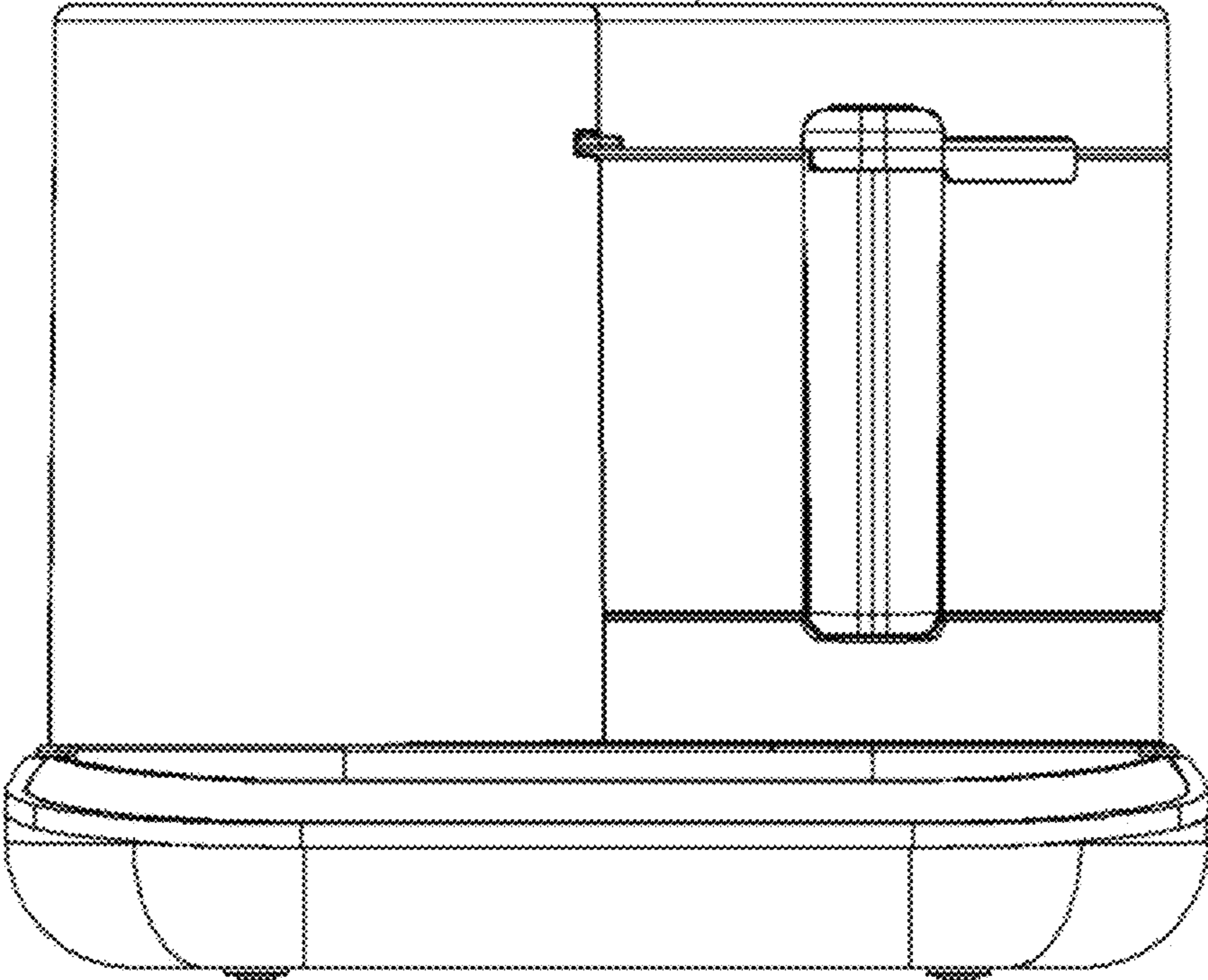
1.1



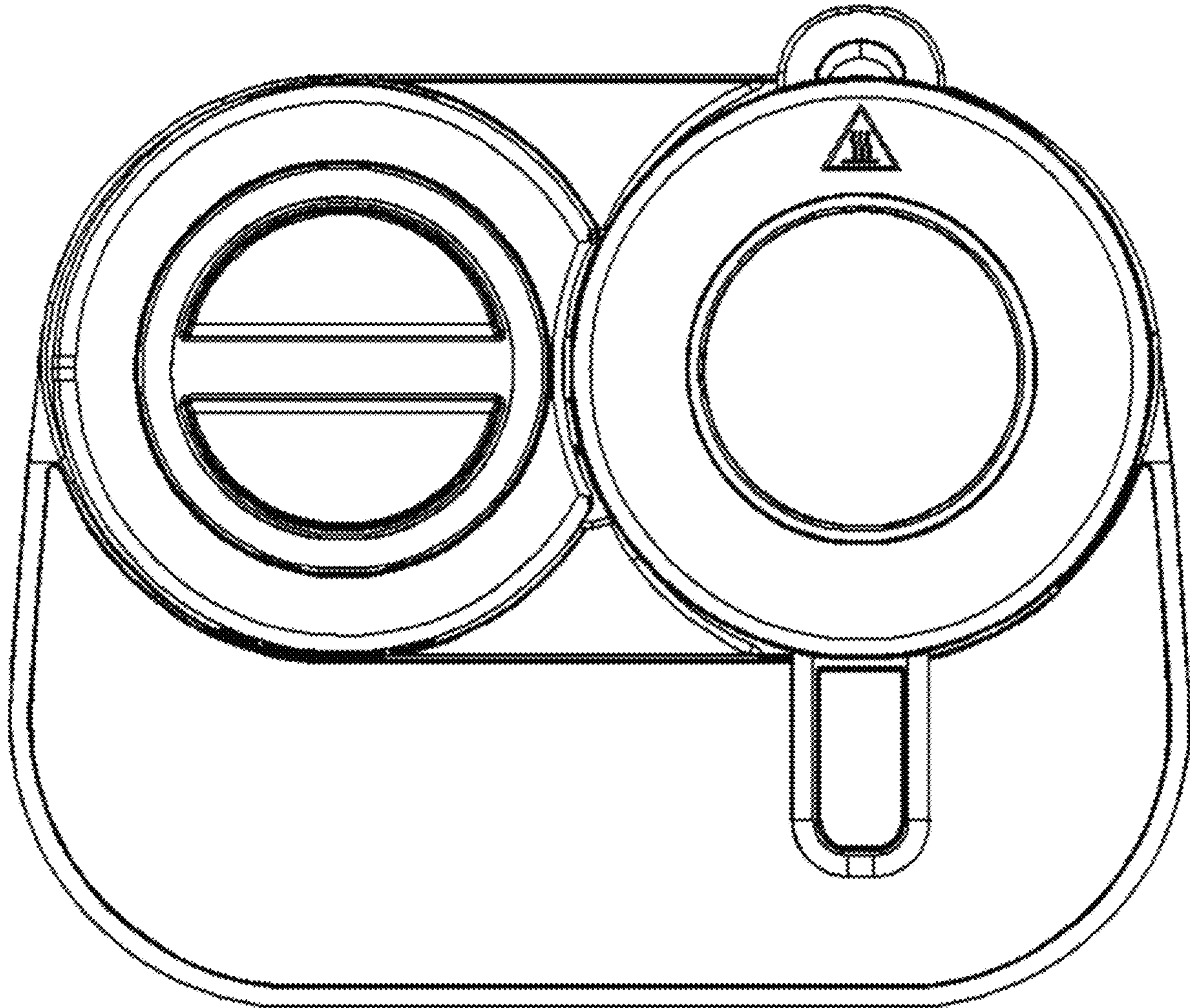
1.2



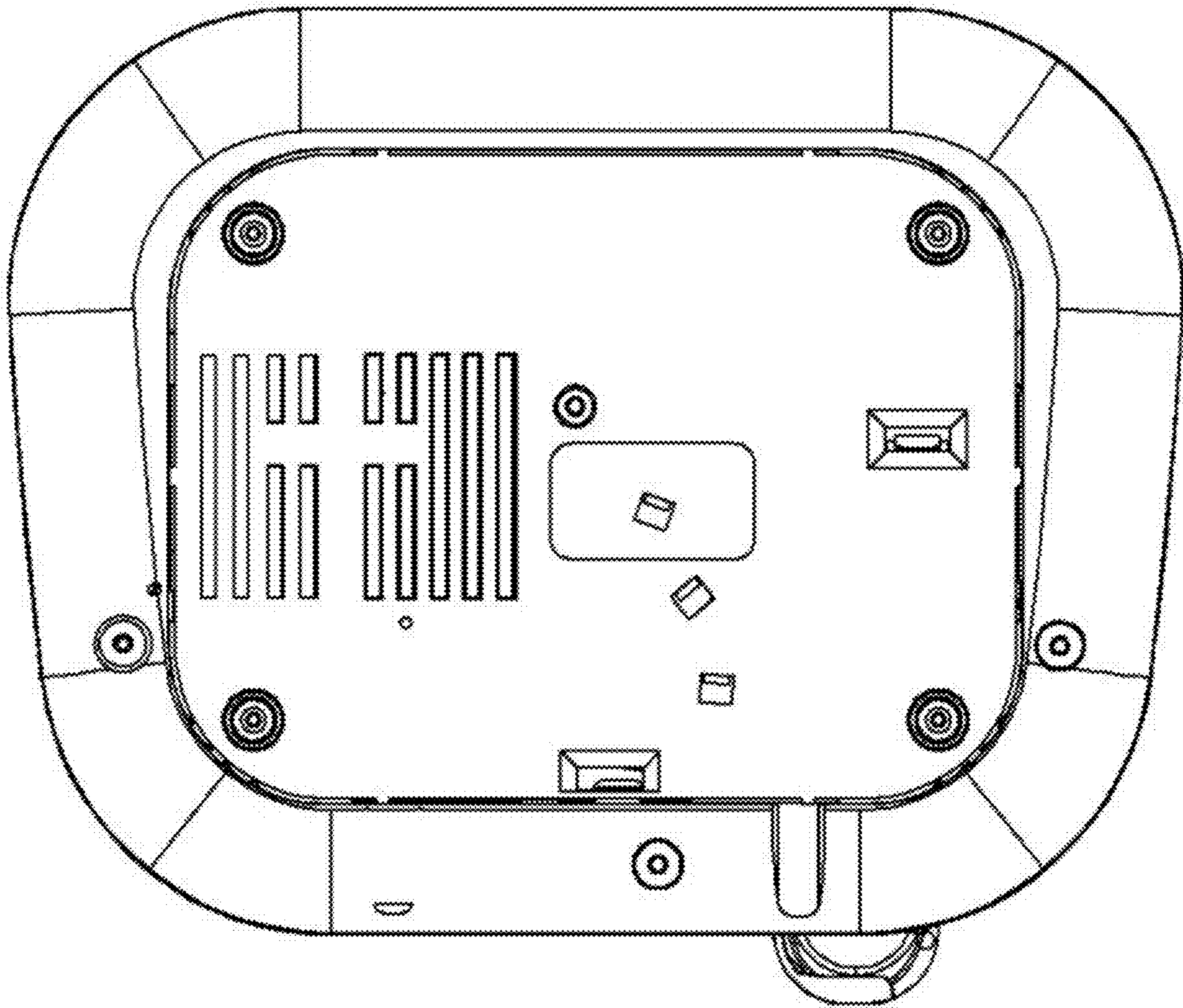
1.3



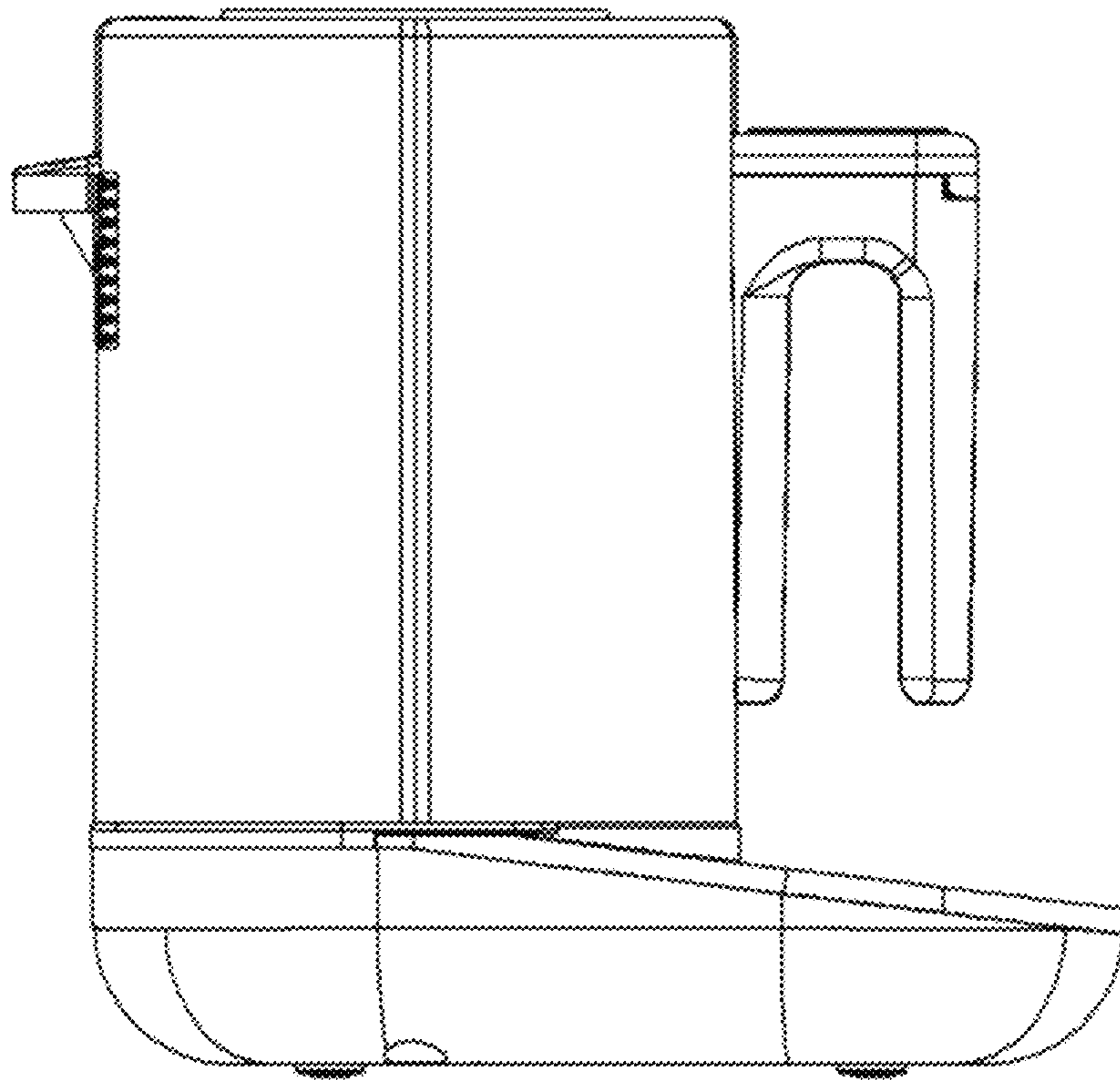
1.4



1.5



1.6



1.7

