



US00D932225S

(12) **United States Design Patent** (10) **Patent No.:** **US D932,225 S**  
**Gates** (45) **Date of Patent:** **\*\* Oct. 5, 2021**

(54) **WATER COOLER**  
(71) Applicant: **LVD Acquisition, LLC**, Columbus, OH (US)  
(72) Inventor: **Jared Robert Gates**, Worthington, OH (US)  
(73) Assignee: **LVD Acquisition, LLC**, Columbus, OH (US)

D600,060 S \* 9/2009 Fletcher ..... D7/306  
D643,239 S \* 8/2011 Wang ..... D7/306  
D660,636 S \* 5/2012 Wang ..... D7/306  
D717,091 S \* 11/2014 Suzuki ..... D7/309  
D787,250 S \* 5/2017 Walton ..... D7/306  
D795,629 S \* 8/2017 Ullman ..... D7/306  
D828,709 S \* 9/2018 Wang ..... D7/307  
D842,966 S \* 3/2019 Shin ..... D23/207

(Continued)

(\*\*) Term: **15 Years**  
(21) Appl. No.: **29/712,495**  
(22) Filed: **Nov. 8, 2019**  
(51) **LOC (13) Cl.** ..... **07-01**  
(52) **U.S. Cl.**  
USPC ..... **D7/306**  
(58) **Field of Classification Search**  
USPC ..... D7/300, 300.1, 302-322, 387, 397-398,  
D7/412-415, 510-511, 589-590,  
D7/598-600, 601, 602, 605, 619.1;  
D3/202; D9/417, 435, 447; D15/81;  
D20/4, 5; D23/201-202; D30/121, 129,  
D30/132-133; 222/129.1  
CPC .. A01K 7/00; A01K 7/025; A47J 31/00; A47J  
31/007; A47J 31/40; A47J 31/44; A47J  
31/4425; A47J 31/46; A47J 31/50; B67D  
1/0003; B67D 1/0004; B67D 1/0009;  
B67D 1/06; B67D 1/0857; B67D 3/00;  
B67D 3/0003; B67D 3/0009; B67D  
3/0029; B67D 3/0032; B67D 3/0035;  
B67D 3/0038; E03B 9/20  
See application file for complete search history.

(56) **References Cited**  
U.S. PATENT DOCUMENTS  
5,493,873 A \* 2/1996 Donselman ..... B67D 3/00  
222/146.1  
D367,797 S \* 3/1996 Hauser, II ..... D7/306

**OTHER PUBLICATIONS**

Design No. 305282818, Jul. 30, 2019—China National Intellectual Property Administration (CNIPA) Publication Date—Jul. 30, 2019 Owner—Ningbo Aquaworld Electric Manufacture Co Ltd, Designer—Hu Genlong, et. al. WIPO, available at <https://www3.wipo.int/designdb/en/index.jsp> (Year: 2019).\*

(Continued)

*Primary Examiner* — Mary Ann Calabrese  
*Assistant Examiner* — Natalya M Rapundalo  
(74) *Attorney, Agent, or Firm* — Standley Law Group LLP

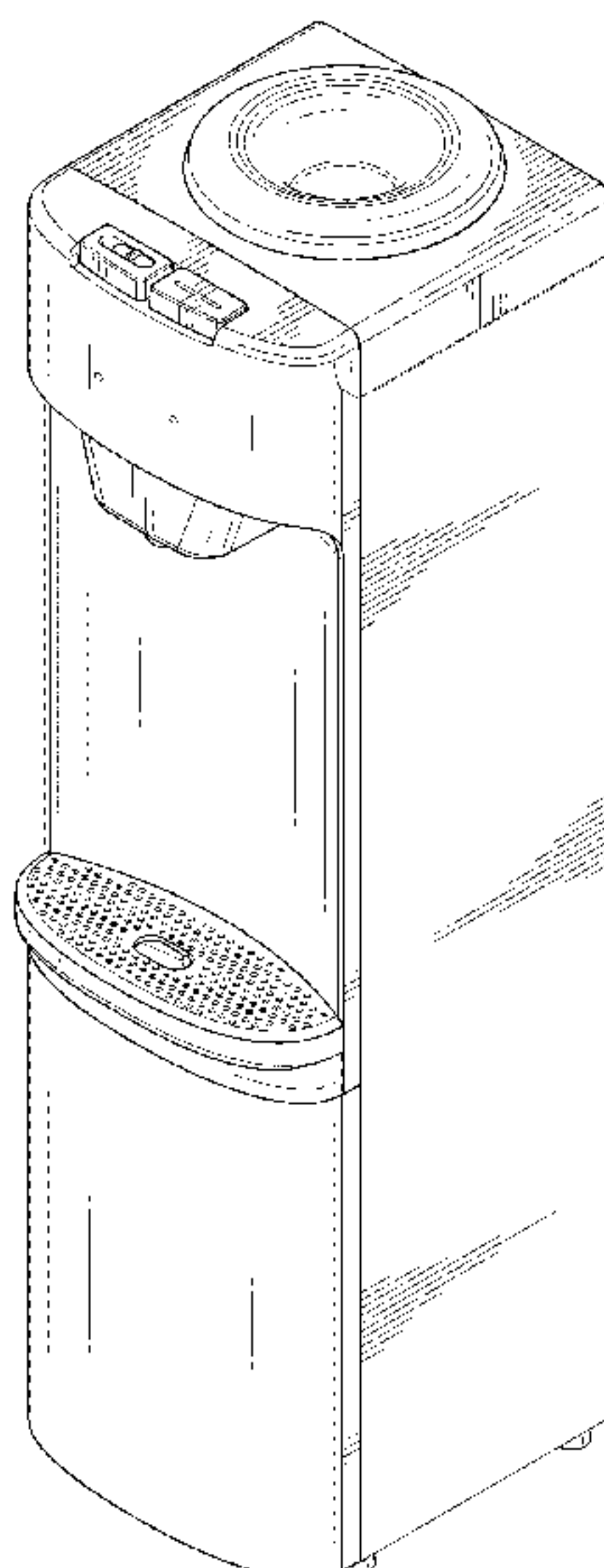
(57) **CLAIM**

The ornamental design for a water cooler, as shown and described above.

**DESCRIPTION**

FIG. 1 is a front perspective view of a water cooler showing the new design;  
FIG. 2 is a front elevation view thereof, the rear elevation view not shown as it contains no claimed ornamental features;  
FIG. 3 is a right-side elevation view thereof;  
FIG. 4 is a left side elevation view thereof;  
FIG. 5 is a top plan view thereof; and,  
FIG. 6 is bottom plan view thereof.  
The broken lines shown in the drawings depict portions of the water cooler that form no part of the claimed design.

**1 Claim, 5 Drawing Sheets**



(56)

References Cited

U.S. PATENT DOCUMENTS

D846,328	S *	4/2019	Tan	.....	A47J 31/4403 D7/306
D851,447	S *	6/2019	Walton	.....	D7/397
D878,134	S *	3/2020	Rubin	.....	B67D 3/00 D7/313
D882,037	S *	4/2020	Roh	.....	D23/207
D882,320	S *	4/2020	Wang	.....	B67D 3/0029 D7/306
D884,407	S *	5/2020	Tan	.....	B67D 3/0009 D7/313
D893,234	S *	8/2020	Broen	.....	D7/306
2004/0226313	A1 *	11/2004	Busick	.....	B67D 3/0029 62/397
2013/0334251	A1 *	12/2013	Zheng	.....	A47J 31/4403 222/129.1
2016/0362287	A1 *	12/2016	Yui	.....	B67D 3/0009
2019/0000046	A1 *	1/2019	Wu	.....	A01K 1/0356

OTHER PUBLICATIONS

Design No. 305304193, Aug. 13, 2019—China National Intellectual Property Administration (CNIPA) Publication Date—Aug. 13, 2019 Owner—Ningbo Aikete life appliance Co Ltd, Designer—Li Jian  
Bing WIPO, available at <https://www3.wipo.int/designdb/en/index.jsp> (Year: 2019).\*

Design No. 305304195, Aug. 13, 2019—China National Intellectual Property Administration (CNIPA) Publication Date—Aug. 13, 2019 Owner—Ningbo Aikete life appliance Co Ltd, Designer—Li Jian

Bing WIPO, available at <https://www3.wipo.int/designdb/en/index.jsp> (Year: 2019).\*

Design No. 306121180, Oct. 23, 2020—China National Intellectual Property Administration (CNIPA) Publication Date—Oct. 23, 2020 Owner—LVD acquired LLC, Designer—J R gates WIPO, available at <https://www3.wipo.int/designdb/en/index.jsp> (Year: 2020).\*

Design No. 306244880, Dec. 22, 2020—China National Intellectual Property Administration (CNIPA) Publication Date—Oct. 23, 2020 Owner—LVD acquired LLC, Designer—J R gates WIPO, available at <https://www3.wipo.int/designdb/en/index.jsp> (Year: 2020).\*

Design No. 306484796, Apr. 20, 2021—China National Intellectual Property Administration (CNIPA) Publication Date—Apr. 20, 2021 Owner—Foshan Midea Chungho Water Purification Mfg Co Ltd, Designer—Ding Jinhui, et. al. WIPO, available at <https://www3.wipo.int/designdb/en/index.jsp> (Year: 2021).\*

Design No. 306554548, May 18, 2021—China National Intellectual Property Administration (CNIPA) Publication Date—May 18, 2021 Owner—Ningbo Aquart Electrical Appliance Co Ltd, Designer—Wu Xueliang, et. al. WIPO, available at <https://www3.wipo.int/designdb/en/index.jsp> (Year: 2021).\*

Design No. 306590611, Jun. 4, 2021—China National Intellectual Property Administration (CNIPA) Publication Date—Jun. 4, 2021 Owner—Ningbo Jingmao Electric Appliance Technology Co Ltd, Designer—Lai Zhengyun WIPO, available at <https://www3.wipo.int/designdb/en/index.jsp> (Year: 2021).\*

Oasis #MIR311D-3 Mirage Bottled Water Cooler, Superwater, [online], [site visited Jun. 14, 2021], Available from internet URL: [https://www.superwater.com/oamimibowaco.html?gclid=EAlalQobChMls8O9t-yX8QIV1trlCh26UgR\\_EAkYBSABEgJYqvD\\_BwE](https://www.superwater.com/oamimibowaco.html?gclid=EAlalQobChMls8O9t-yX8QIV1trlCh26UgR_EAkYBSABEgJYqvD_BwE) (Year: 2021).\*

\* cited by examiner

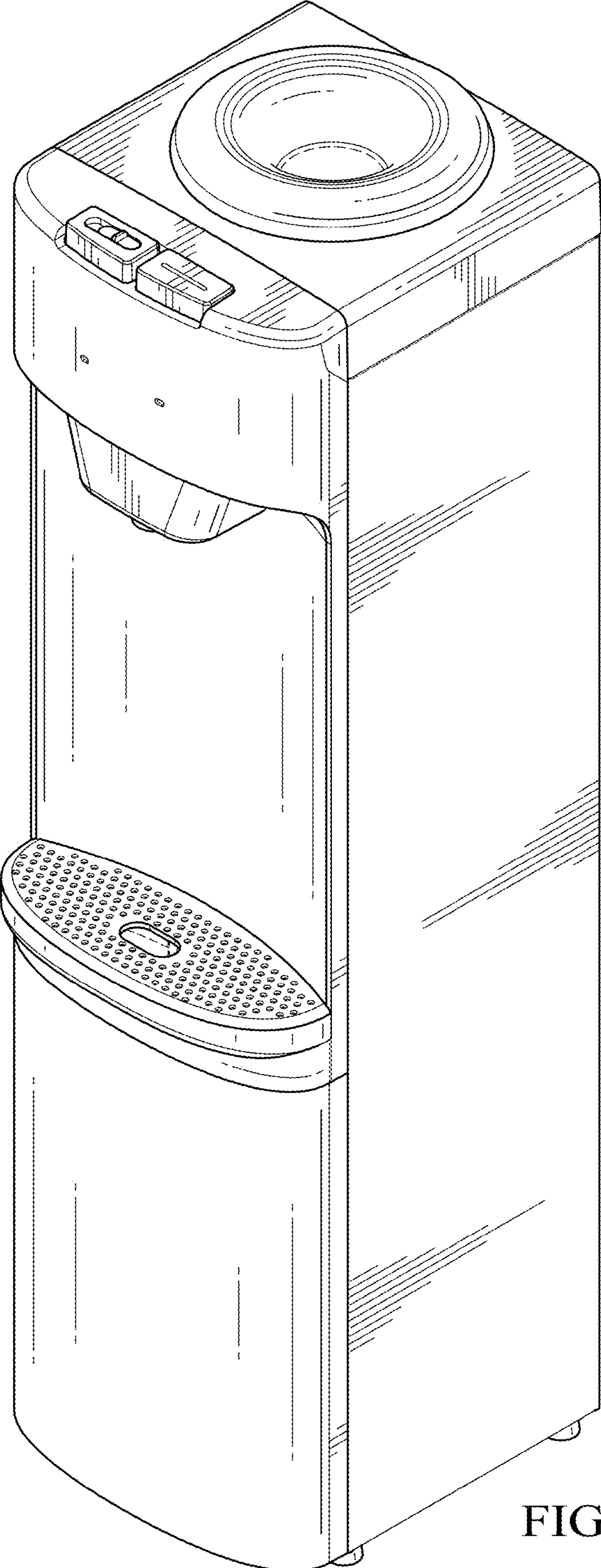


FIG. 1



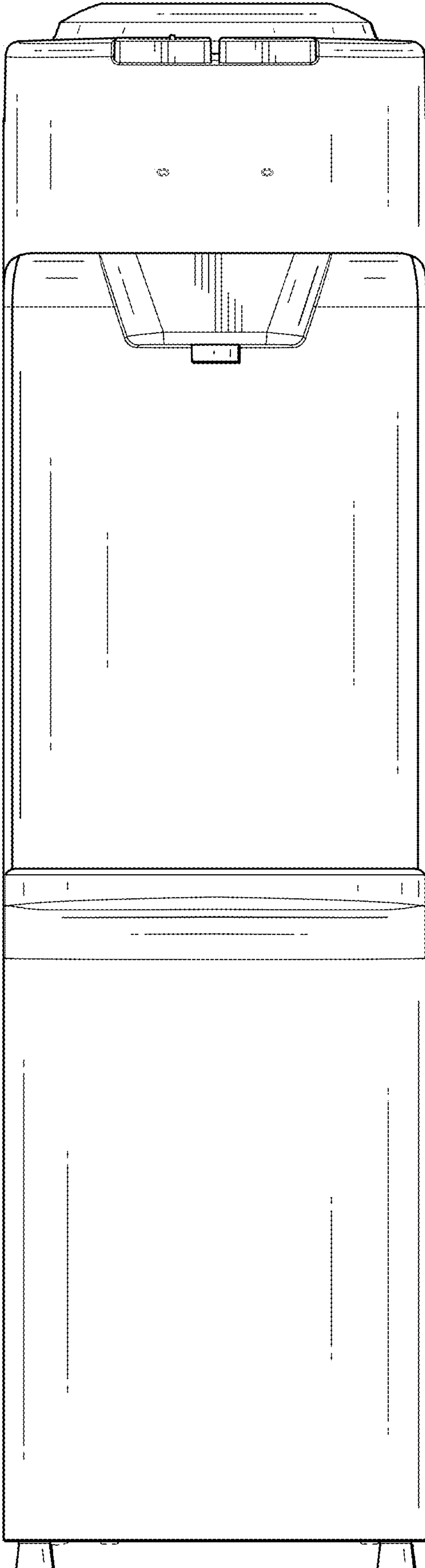


FIG. 2

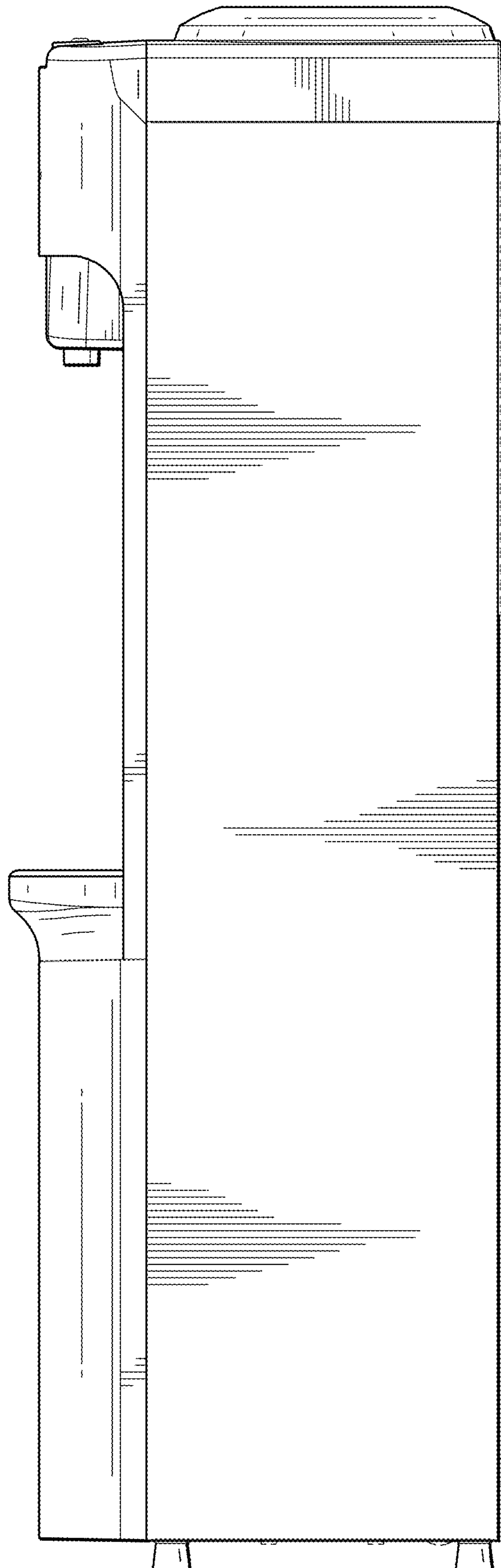


FIG. 3

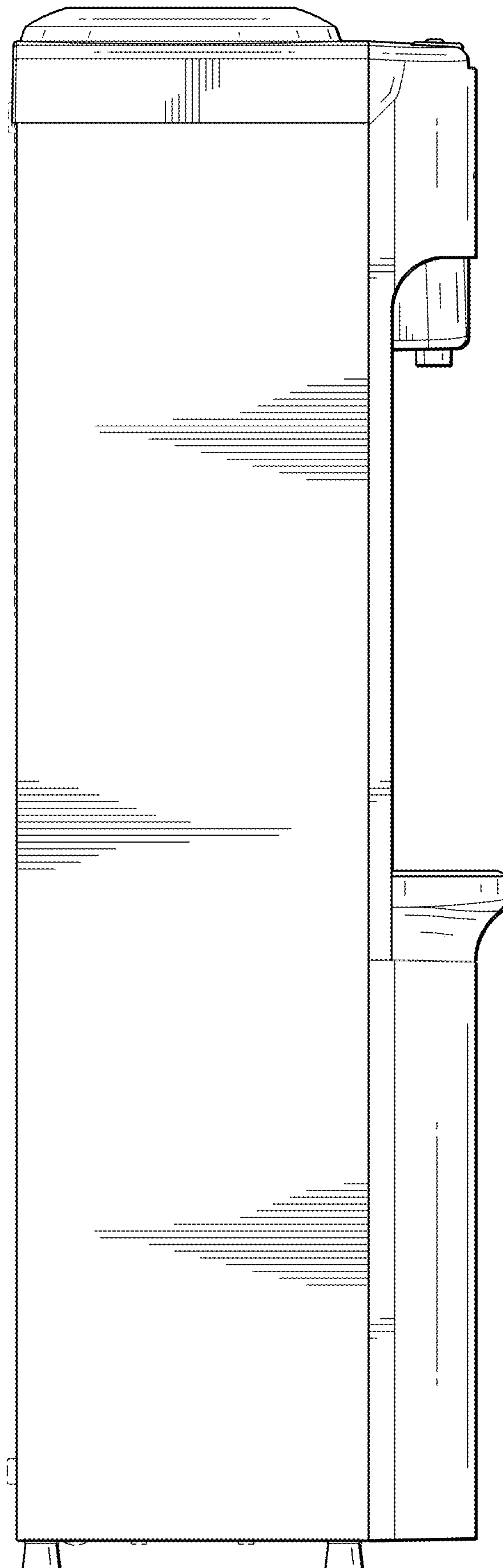


FIG. 4

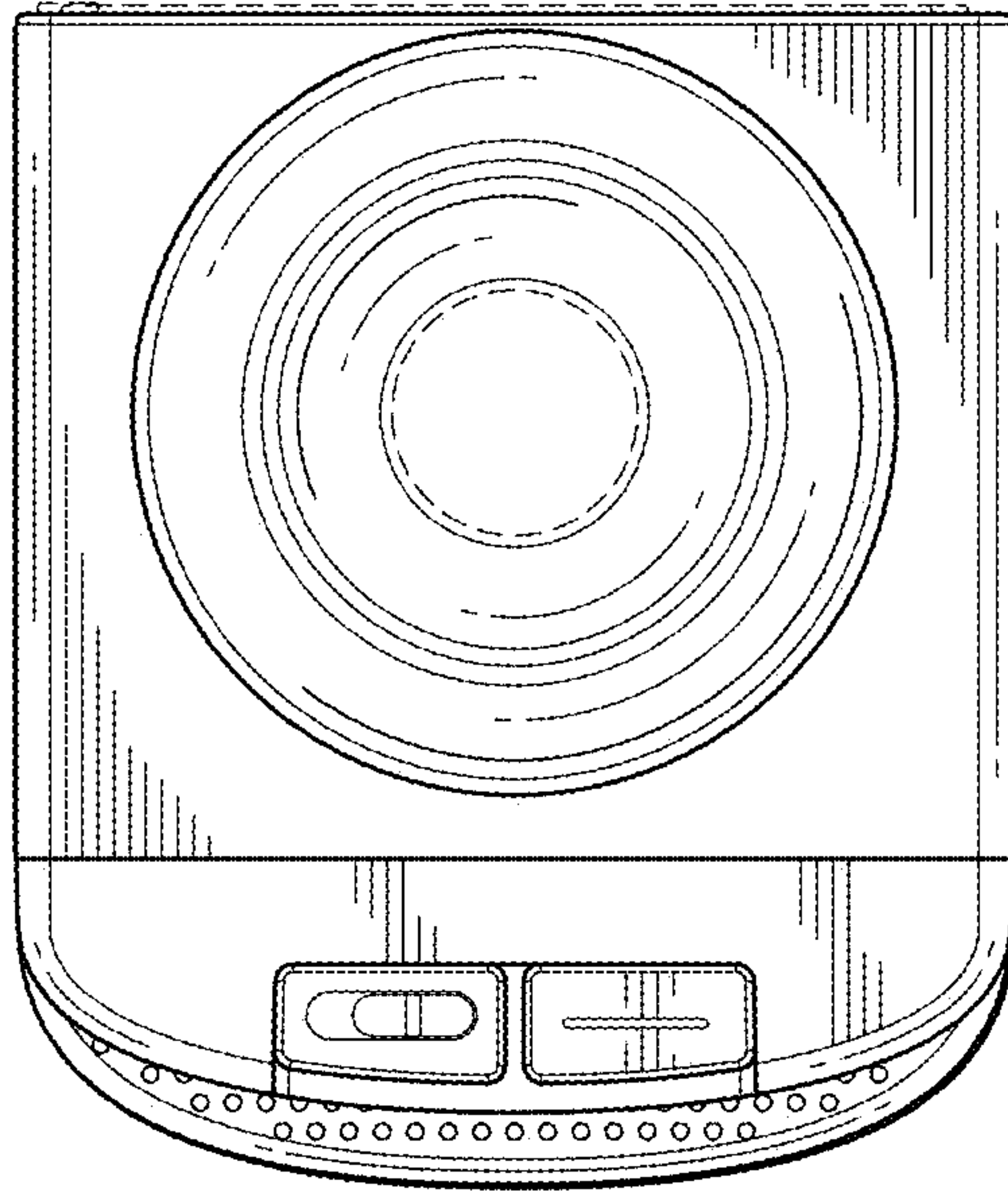


FIG. 5

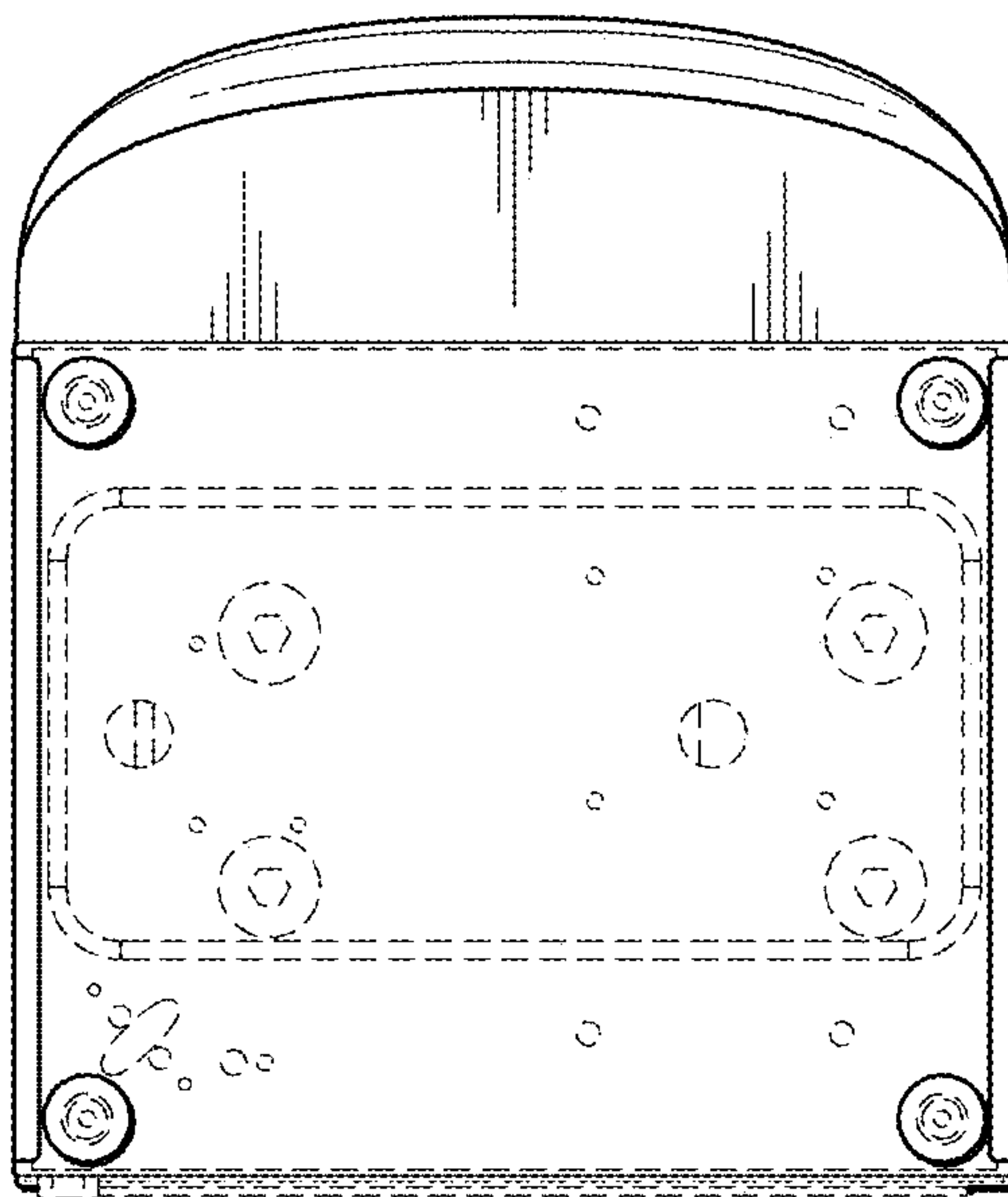


FIG. 6