



US00D932224S

(12) **United States Design Patent** (10) **Patent No.:** **US D932,224 S**
Wei (45) **Date of Patent:** **** Oct. 5, 2021**

(54) **WARDROBE SPLITTER PLATE**
(71) Applicant: **Yongjin Wei**, Wuzhou (CN)
(72) Inventor: **Yongjin Wei**, Wuzhou (CN)
(**) Term: **15 Years**

(21) Appl. No.: **29/753,146**
(22) Filed: **Sep. 30, 2020**
(51) **LOC (13) Cl.** **06-06**
(52) **U.S. Cl.**
USPC **D6/706**
(58) **Field of Classification Search**
USPC D6/553, 332, 491, 492, 509, 510, 511,
D6/706; D8/380, 381; 108/27, 50.02,
108/60; 211/153, 184; D19/34.1
CPC A47G 25/1471; B60R 7/02
See application file for complete search history.

(56) **References Cited**

U.S. PATENT DOCUMENTS

D308,394 S * 6/1990 Smith D19/34.1
D511,060 S * 11/2005 Linden D6/706
D674,216 S * 1/2013 Erickson D6/683.1
D707,994 S * 7/2014 Le D6/706

D720,588 S 1/2015 Pugh
D743,194 S 11/2015 Reinhart
D753,420 S 4/2016 Cheng
D779,865 S * 2/2017 Bram D6/706
D843,149 S * 3/2019 Nilsson D6/706
D845,688 S * 4/2019 Dibdin D6/706
2017/0137177 A1* 5/2017 Prezecki, II B65D 25/06
2019/0174916 A1* 6/2019 Merey A47B 57/58

* cited by examiner

Primary Examiner — Wan Laymon
Assistant Examiner — Mark Booker

(74) *Attorney, Agent, or Firm* — True Shepherd LLC;
Andrew C. Cheng

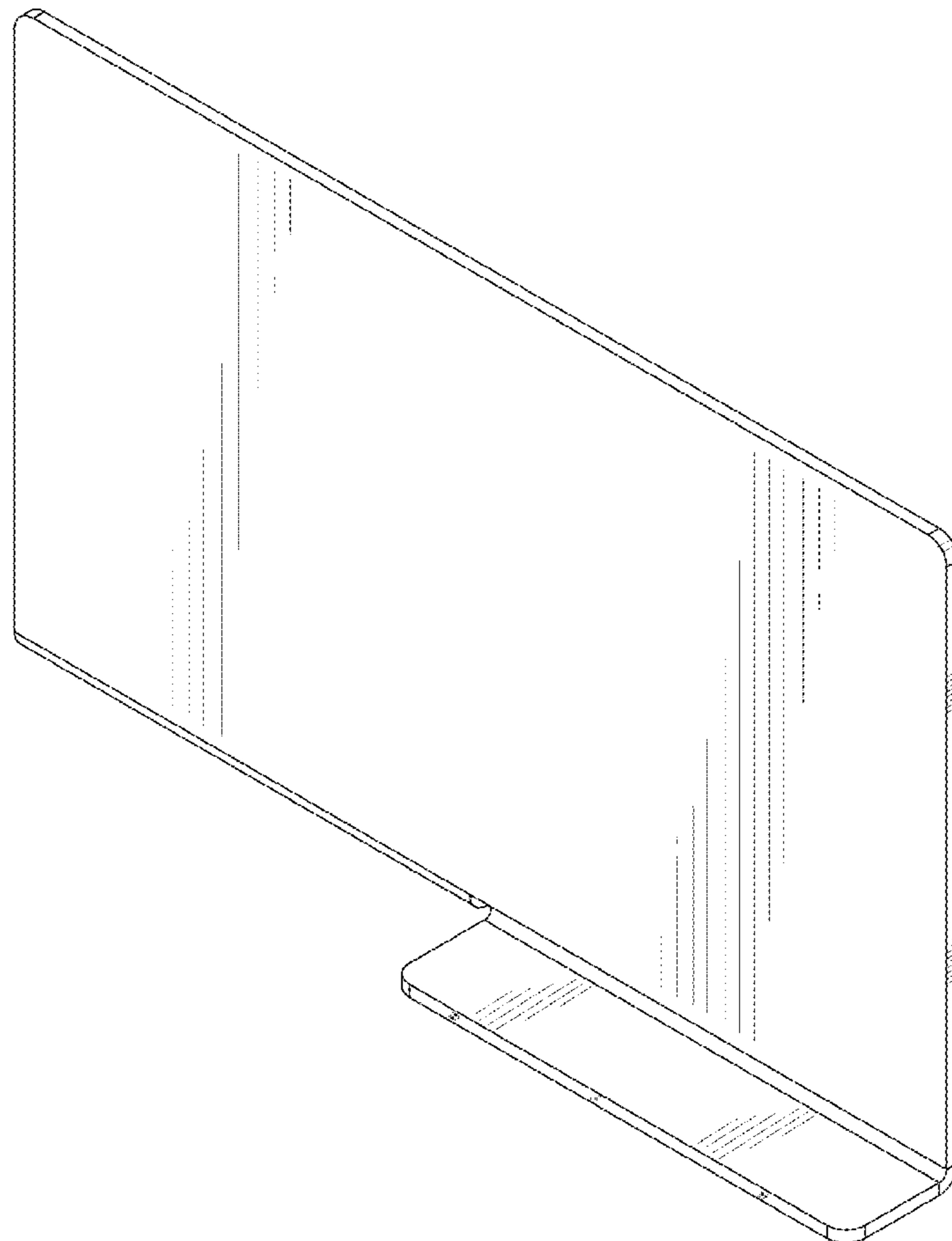
(57) **CLAIM**

The ornamental design for a wardrobe splitter plate, as shown and described.

DESCRIPTION

FIG. 1 is a perspective view of a wardrobe splitter plate showing my new design;
FIG. 2 is a front view thereof;
FIG. 3 is a rear view thereof;
FIG. 4 is a left side view thereof;
FIG. 5 is a right side view thereof;
FIG. 6 is a top plan view thereof; and,
FIG. 7 is a bottom plan view thereof.

1 Claim, 7 Drawing Sheets



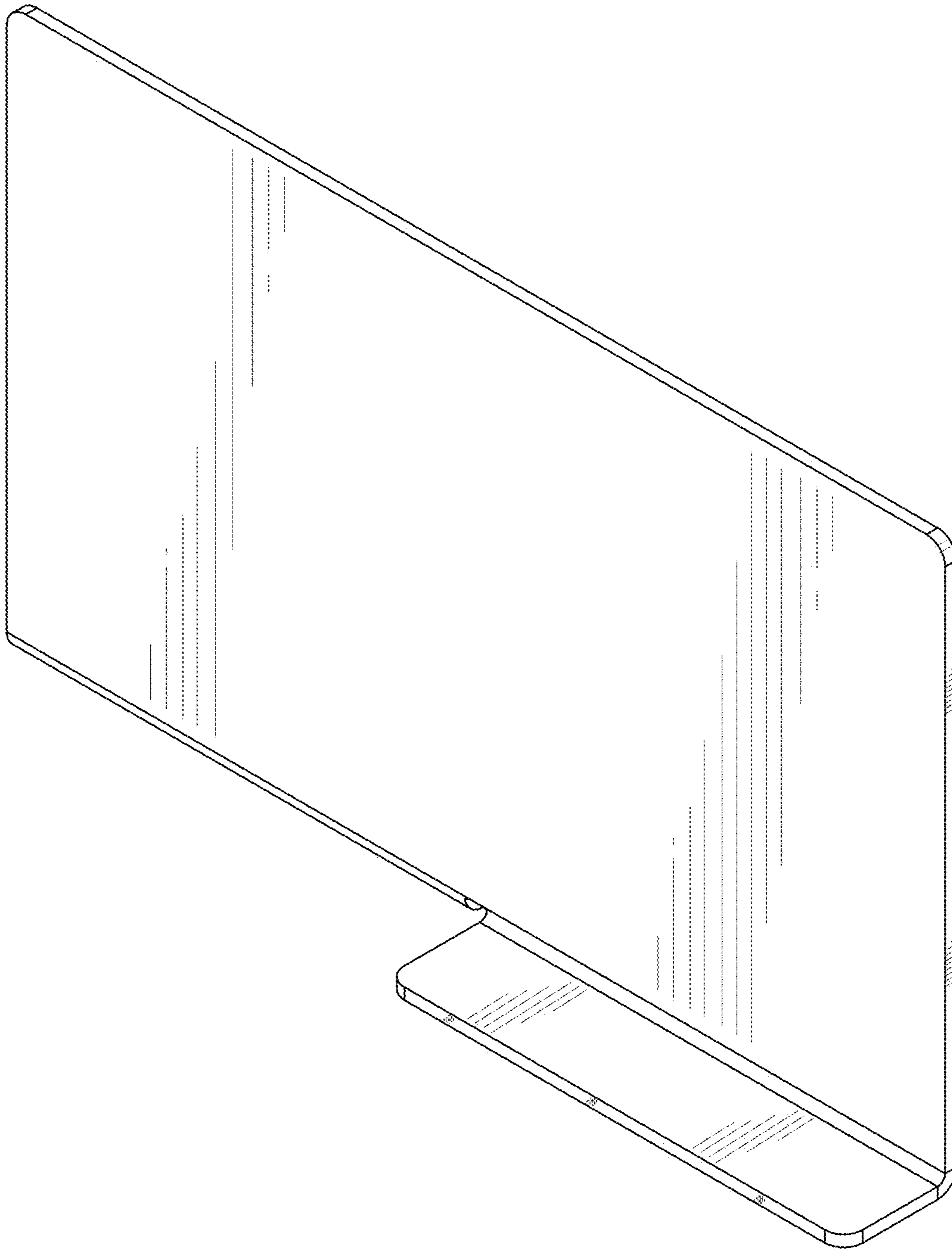


FIG. 1

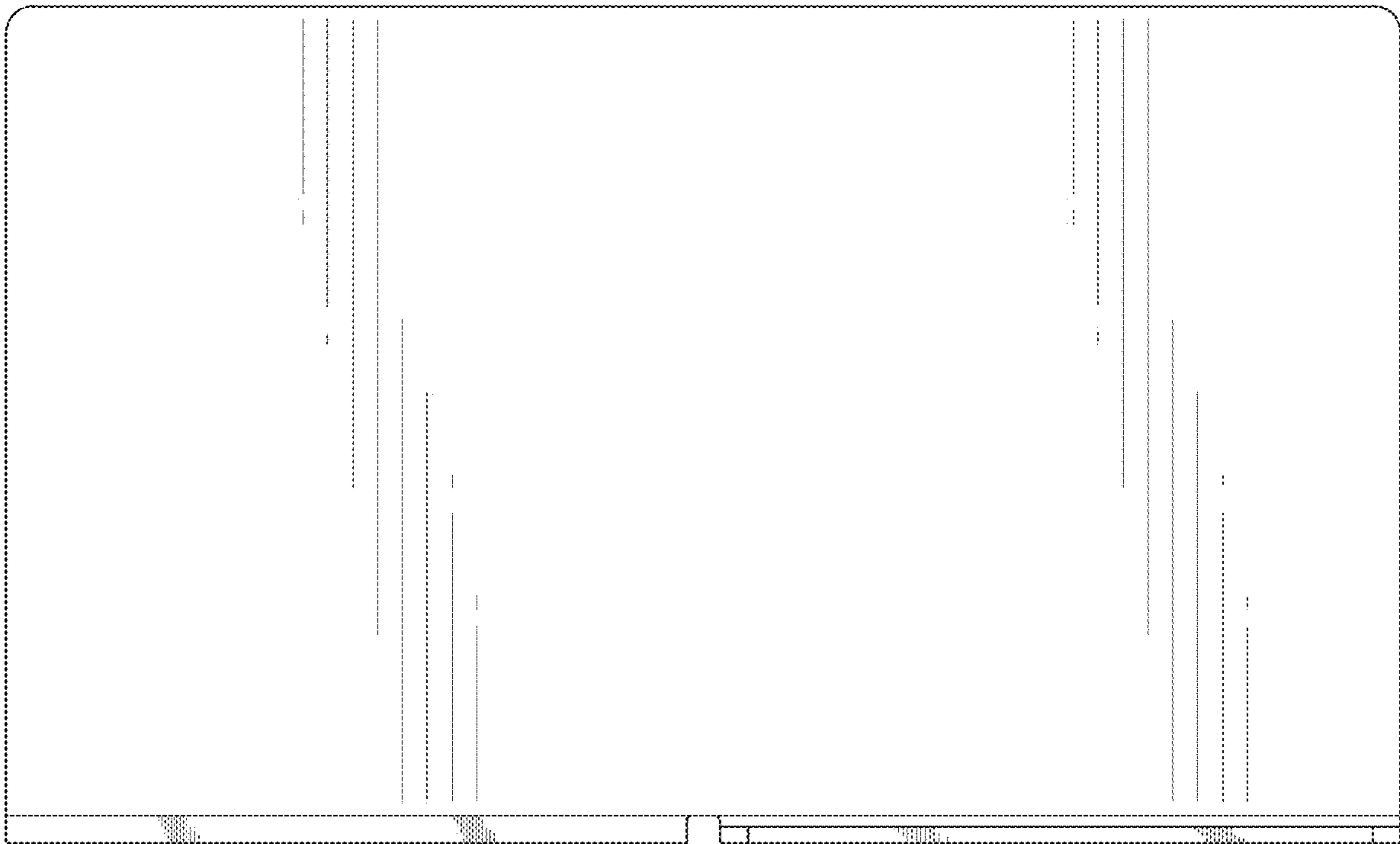


FIG.2

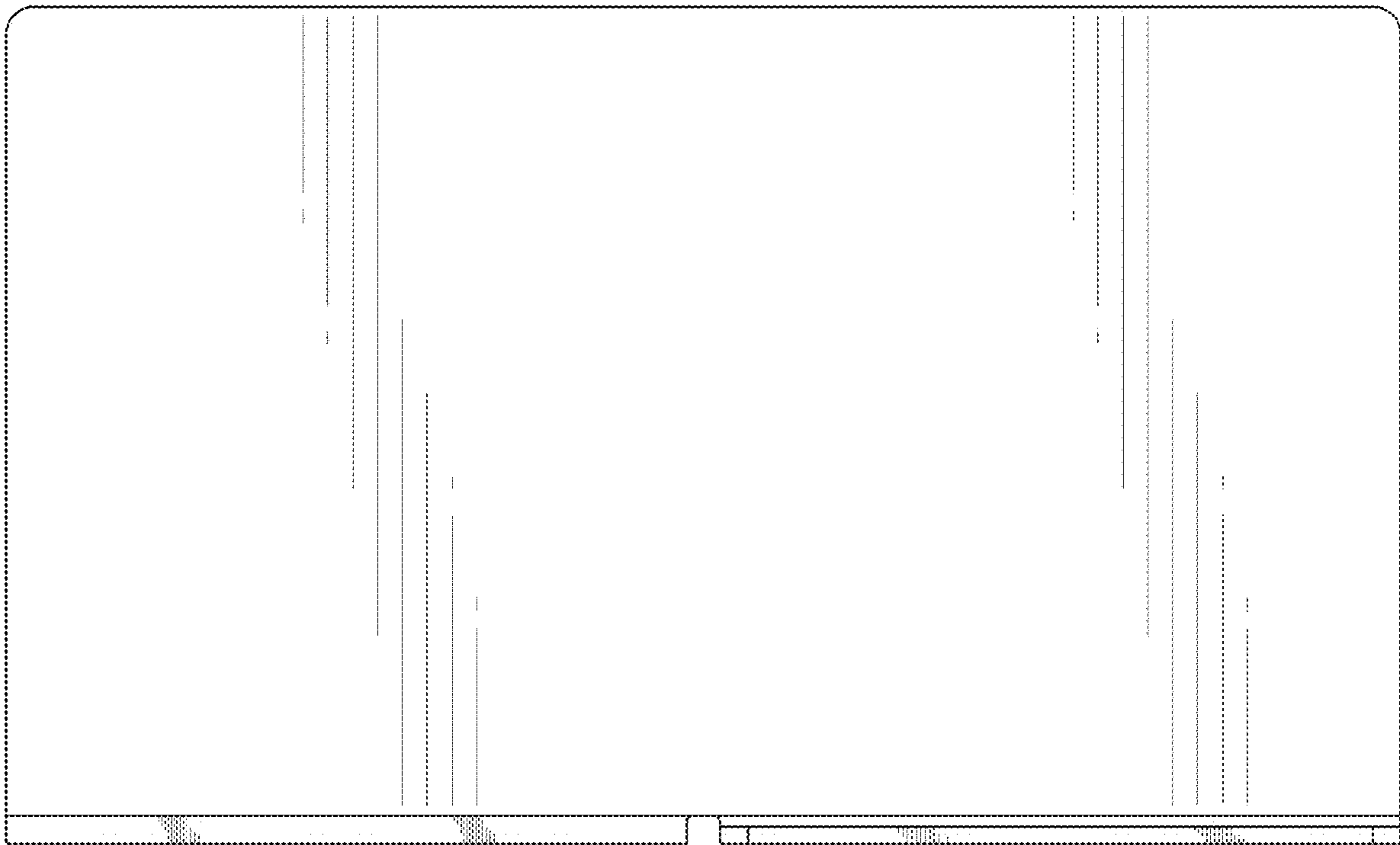


FIG.3

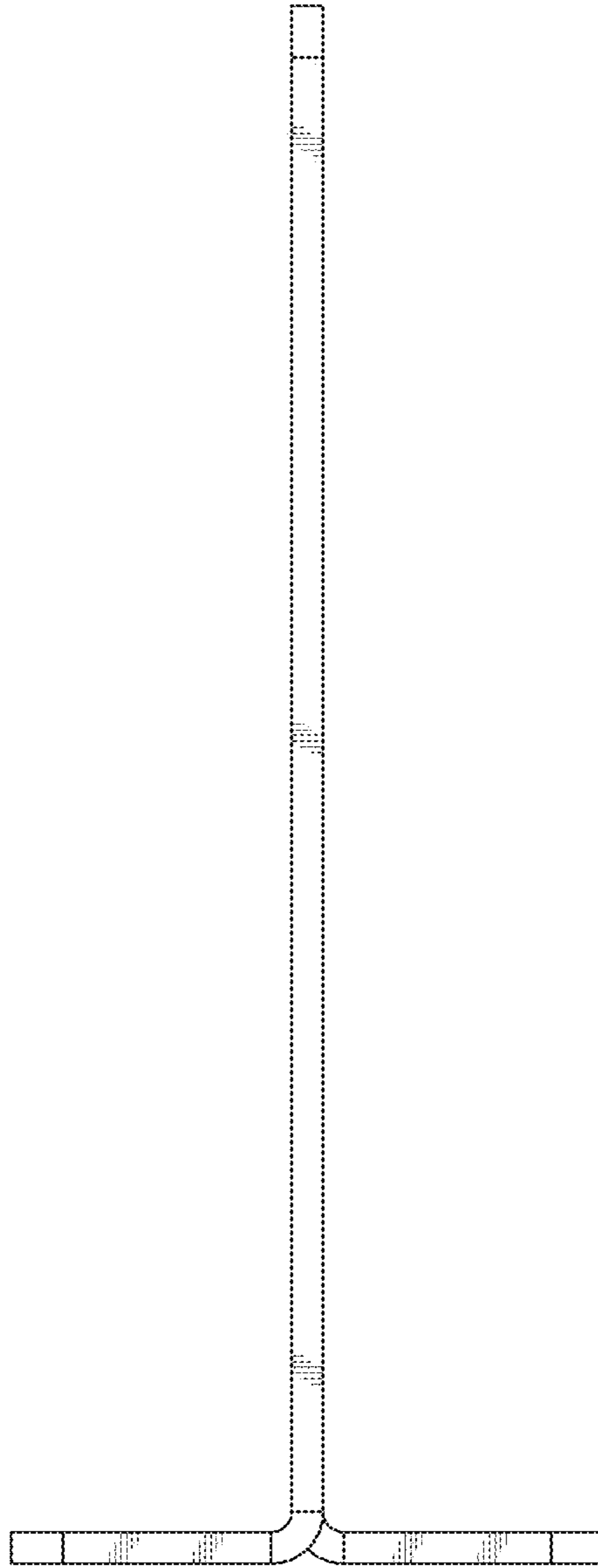


FIG. 4

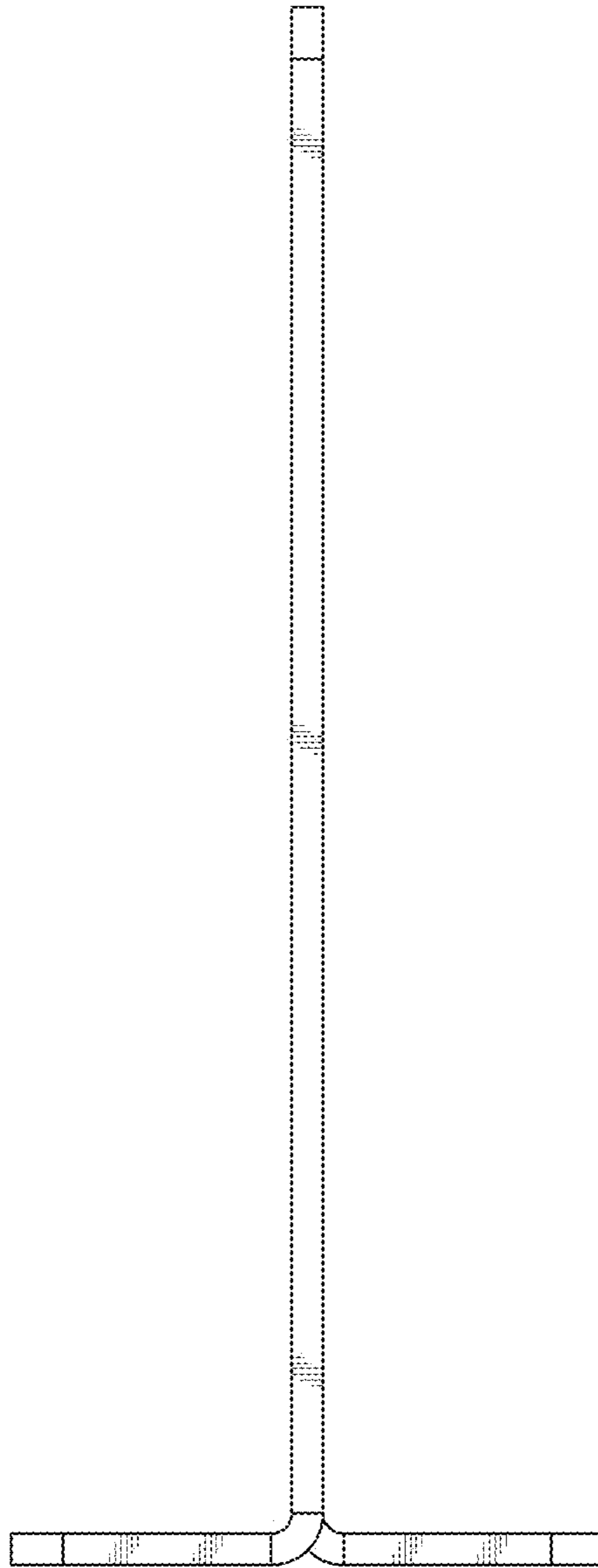


FIG.5

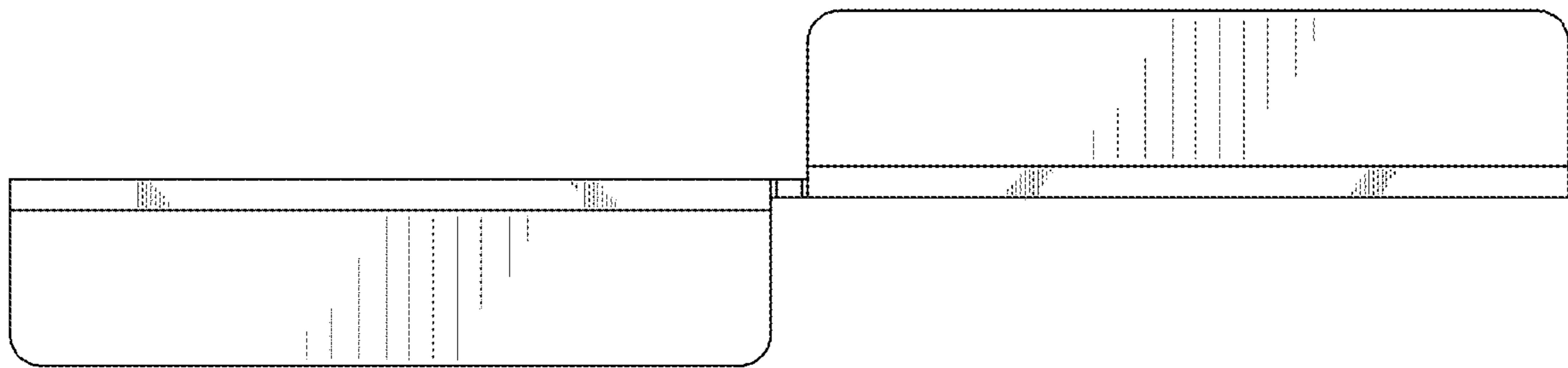


FIG.6

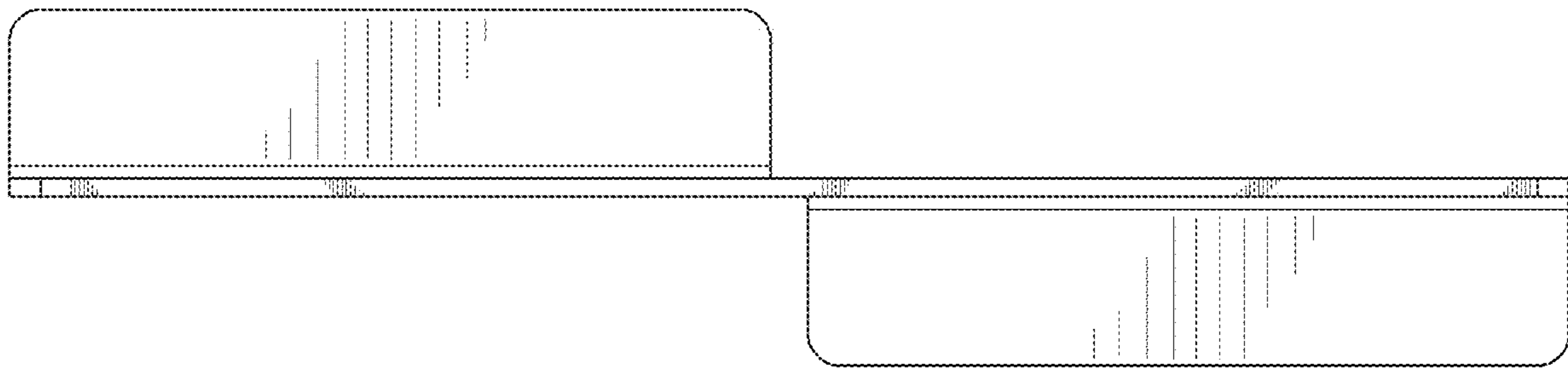


FIG. 7