



US00D932222S

(12) **United States Design Patent** (10) **Patent No.:** **US D932,222 S**
Liu (45) **Date of Patent:** **** Oct. 5, 2021**

(54) **JEWELRY STAND**
(71) Applicant: **Wuhan Chengyuan Dehe Technology Co., Ltd., Wuhan (CN)**
(72) Inventor: **Chuanke Liu, Wuhan (CN)**
(73) Assignee: **Wuhan Chengyuan Dehe Technology Co., Ltd., Wuhan (CN)**
(**) Term: **15 Years**
(21) Appl. No.: **29/768,164**
(22) Filed: **Jan. 28, 2021**
(51) **LOC (13) Cl.** **06-06**
(52) **U.S. Cl.**
USPC **D6/682.6**
(58) **Field of Classification Search**
USPC D6/672, 675, 675.1, 678, 678.1, 680.2,
D6/681, 681.1, 682, 682.5, 682.6
CPC .. A47F 5/04; A47F 5/0876; A47F 7/00; A47F
7/02; A47F 5/10; A47F 5/0018; A47F
5/16
See application file for complete search history.

D315,460 S * 3/1991 Sorce, Jr. D6/682.2
5,033,625 A * 7/1991 Campbell A47F 7/02
211/85.2
D328,681 S * 8/1992 Radosevich D6/567
D338,117 S * 8/1993 Caldwell D6/682.2
D396,363 S * 7/1998 Skrum D6/682.2
D591,085 S 4/2009 Burns
9,107,514 B1 * 8/2015 Morieras A47F 7/02
D769,025 S * 10/2016 Eberling D6/569
D789,707 S * 6/2017 Porisky D6/569
D808,691 S 1/2018 Davis
D856,022 S 8/2019 Trainor-Smith
D888,473 S * 6/2020 Li D6/682.6
D888,474 S * 6/2020 Li D6/682.6
D908,409 S * 1/2021 Chiang D6/681
D919,341 S * 5/2021 Li D6/682.6

* cited by examiner

Primary Examiner — Kelley A Donnelly
(74) *Attorney, Agent, or Firm* — True Shepherd LLC;
Andrew C. Cheng

(57) **CLAIM**

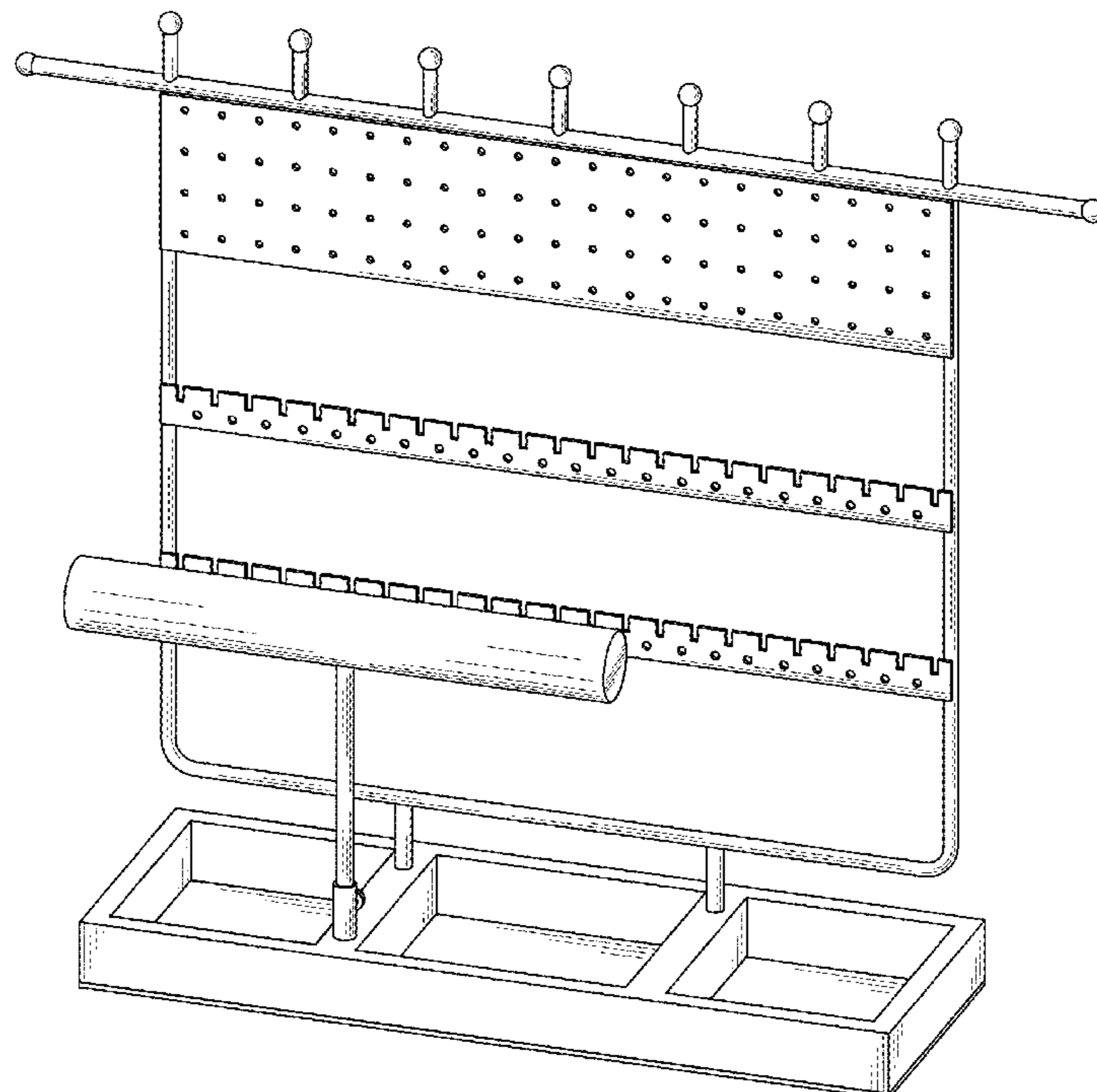
The ornamental design for jewelry stand, as shown and described.

DESCRIPTION

FIG. 1 is a perspective view of a jewelry stand showing my new design;
FIG. 2 is a front view thereof;
FIG. 3 is a rear view thereof;
FIG. 4 is a left side view thereof;
FIG. 5 is a right side view thereof;
FIG. 6 is a top plan view thereof; and,
FIG. 7 is a bottom plan view thereof.

1 Claim, 7 Drawing Sheets

(56) **References Cited**
U.S. PATENT DOCUMENTS
D248,801 S * 8/1978 Tafoya D6/682.2
D253,210 S * 10/1979 Ulrich D6/682.2
4,739,886 A * 4/1988 Seaberg A47F 7/02
206/486
4,767,011 A * 8/1988 Butler A47F 7/02
206/486
D303,193 S * 9/1989 Rimer D6/569
D305,709 S * 1/1990 Blignaut D6/682.6



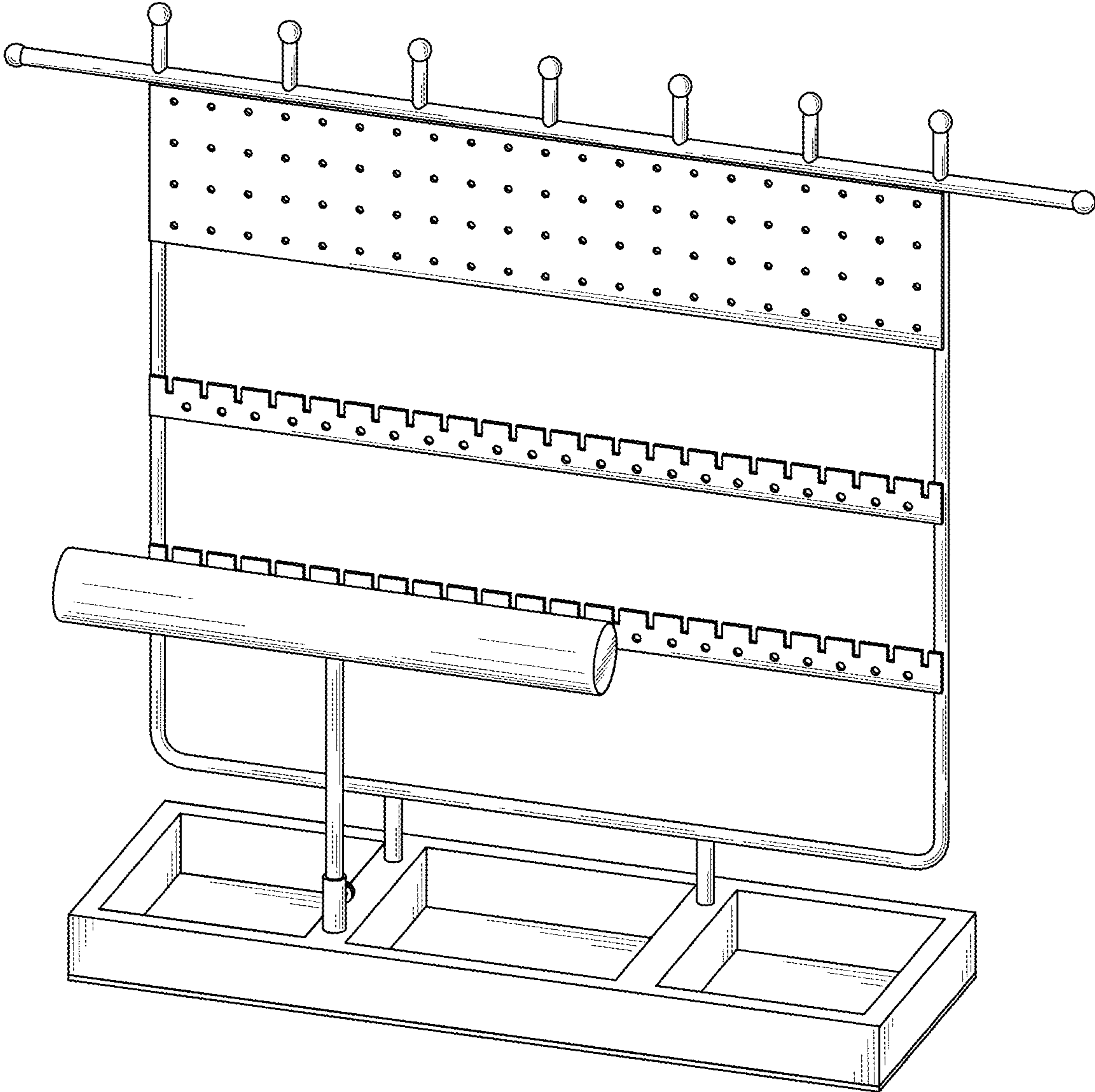


FIG. 1

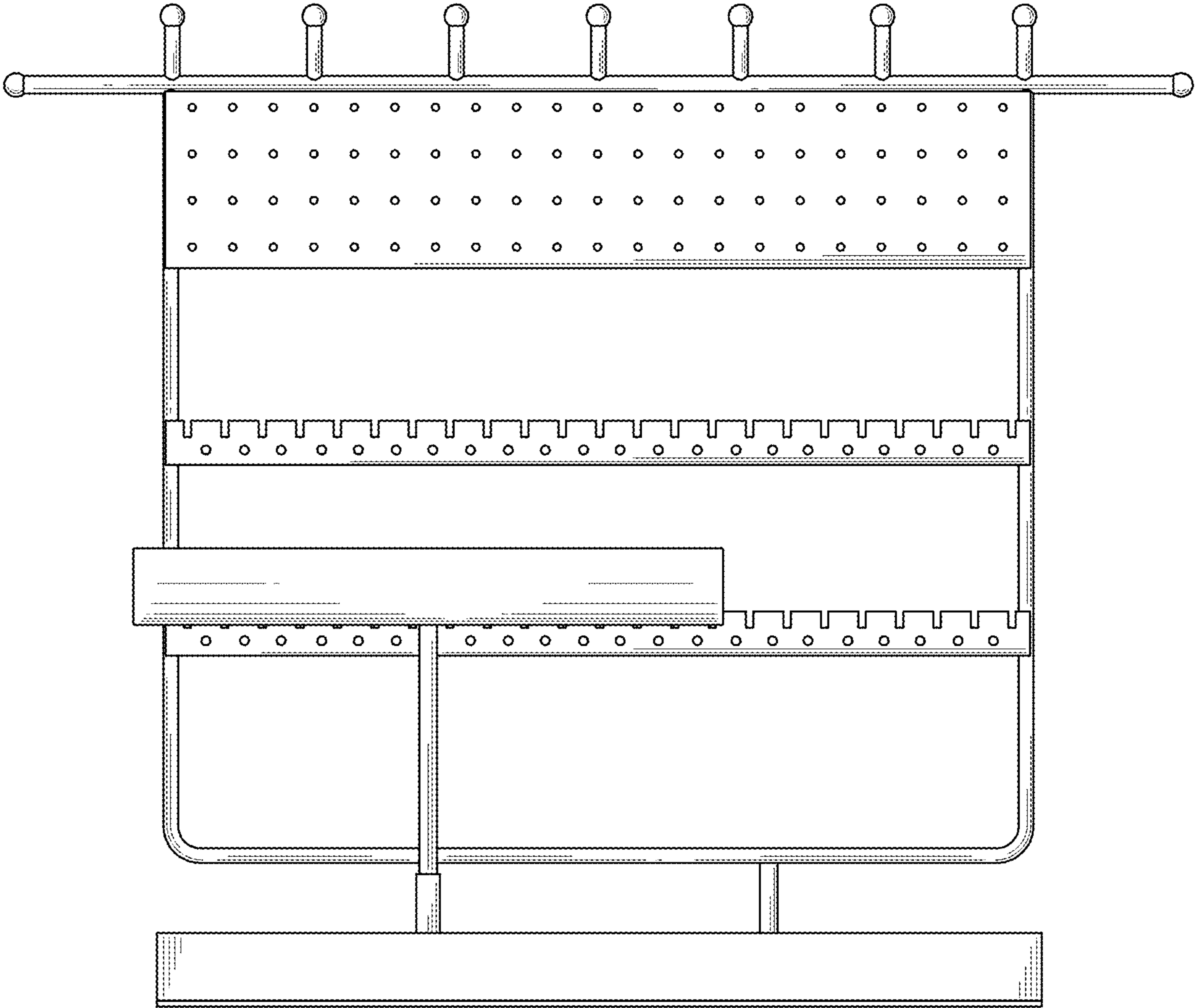


FIG. 2

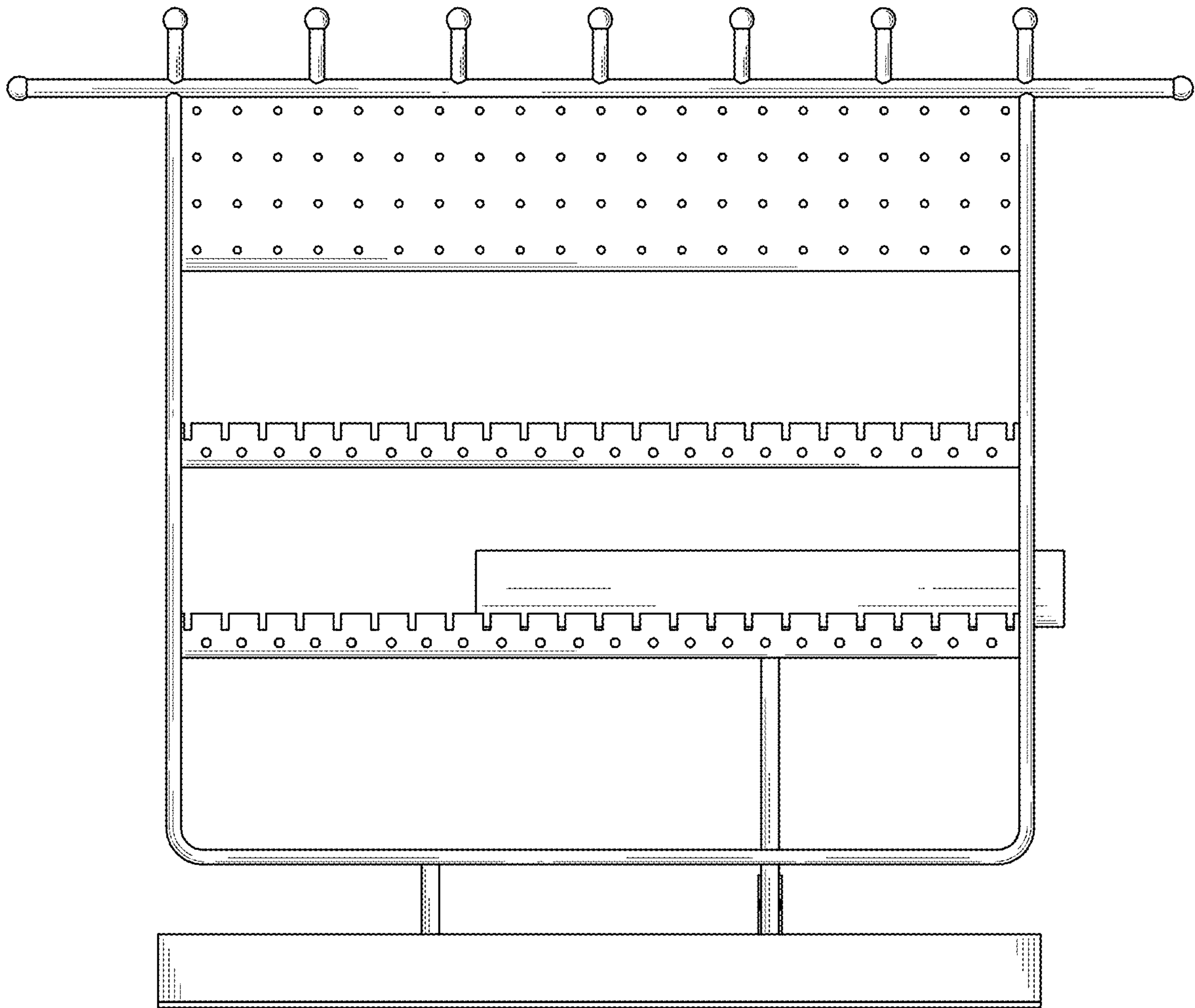


FIG. 3

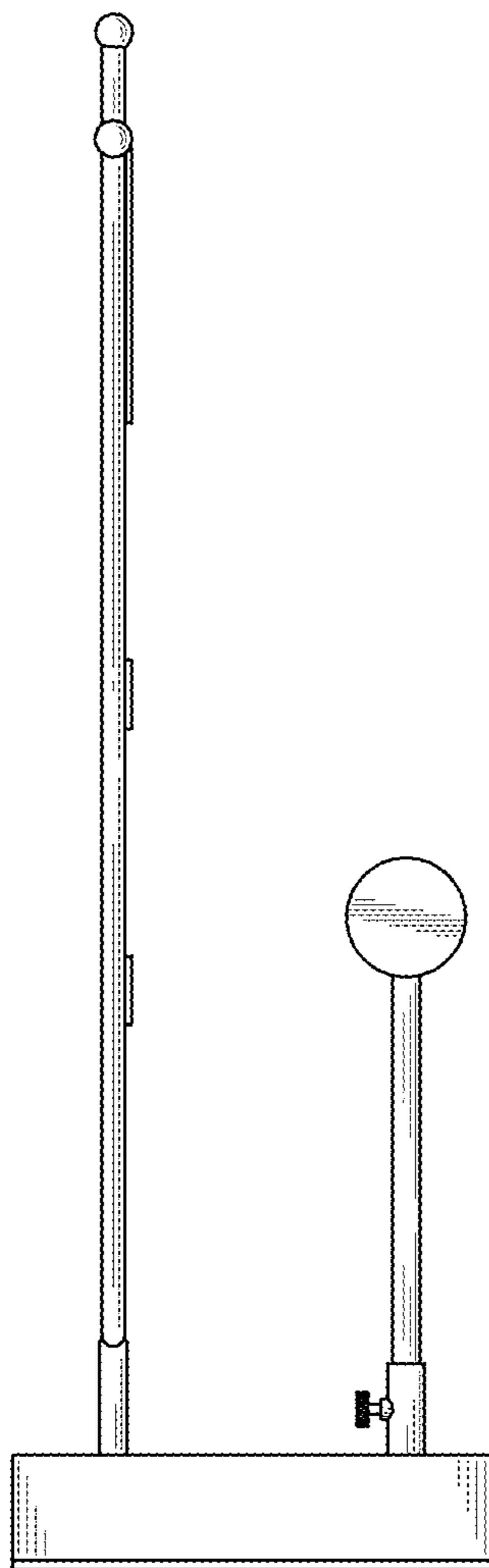


FIG. 4

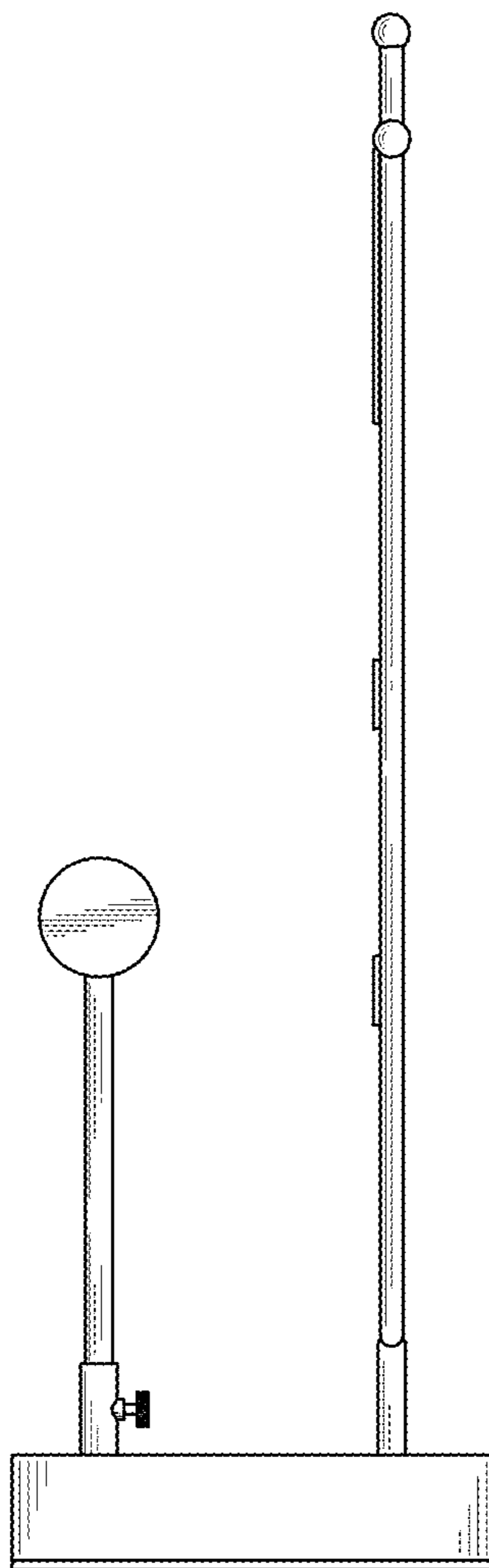


FIG. 5

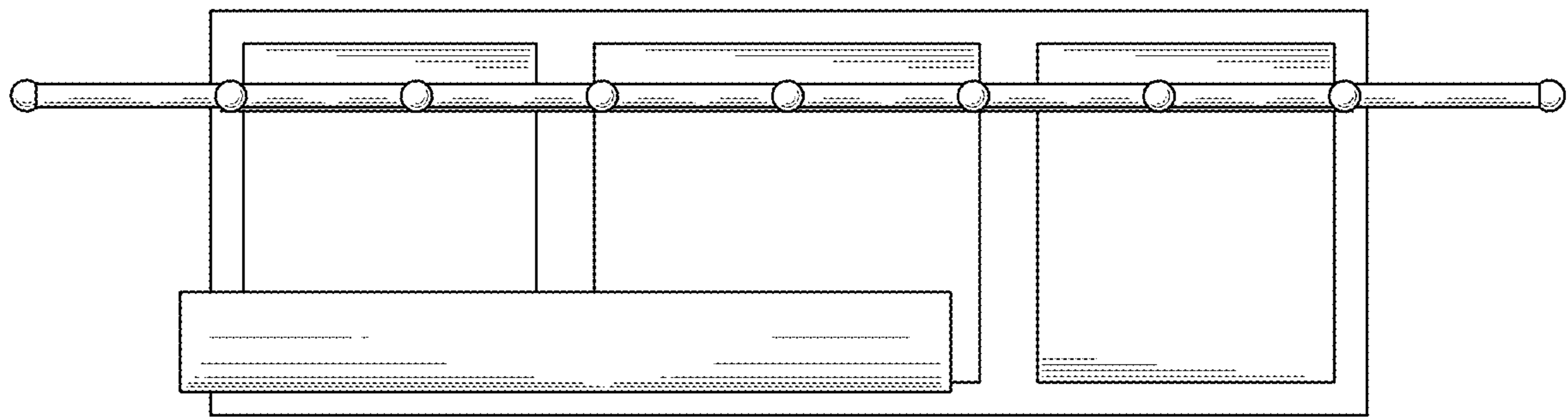


FIG. 6

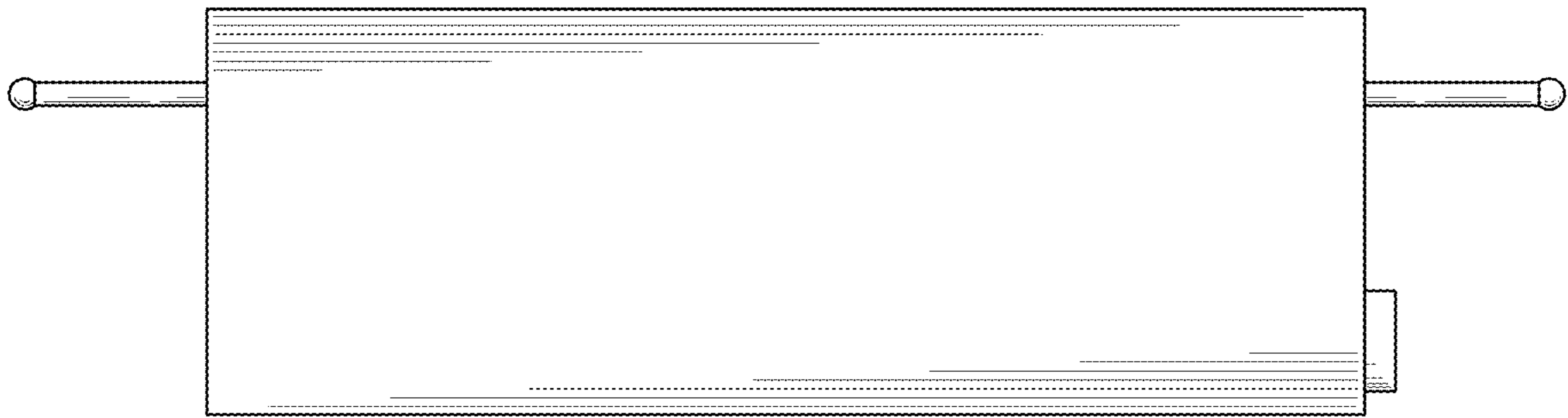


FIG. 7