



US00D932221S

(12) **United States Design Patent** (10) **Patent No.:** **US D932,221 S**
Muller (45) **Date of Patent:** **** Oct. 5, 2021**

(54) **BAR**
(71) Applicant: **Elite Manufacturing Corporation,**
Santa Fe Springs, CA (US)
(72) Inventor: **Carl Muller,** Seal Beach, CA (US)
(73) Assignee: **Elite Manufacturing Corporation,**
Santa Fe Springs, CA (US)
(**) Term: **15 Years**

D347,755 S 6/1994 Houston
D417,981 S 12/1999 Zwicker
D458,057 S * 6/2002 Nichols D6/699
D652,655 S 1/2012 Parizek et al.
D671,769 S 12/2012 Olson
D724,364 S 3/2015 DeMars
D733,472 S * 7/2015 Couture D6/699
D739,151 S * 9/2015 Lee D6/338
D863,833 S 10/2019 Moore
D887,187 S 6/2020 Ravid
D903,966 S * 12/2020 Li D34/14
(Continued)

(21) Appl. No.: **29/759,701**
(22) Filed: **Nov. 24, 2020**

OTHER PUBLICATIONS

www.chintaly.com, Barclay Table, webpage <<http://www.chintaly.com/Redirect/Pub%20Tables/BARCLAY.html>>, Sep. 19, 2018, 3 pages.

(Continued)

Related U.S. Application Data

(62) Division of application No. 29/663,278, filed on Sep. 13, 2018, now Pat. No. Des. 909,103.
(51) **LOC (13) Cl.** **06-06**
(52) **U.S. Cl.**
USPC **D6/678.1**
(58) **Field of Classification Search**
USPC D6/672, 675, 675.1, 675.2, 675.3, 675.4, D6/675.5, 678, 678.1
CPC A47F 1/00; A47F 7/00; A47F 7/28; A47F 9/00; A47F 9/005; A47B 73/00; A47B 81/00; A47B 46/00; A47B 49/002; A47B 31/00; A47B 2031/003
See application file for complete search history.

Primary Examiner — Kelley A Donnelly
(74) *Attorney, Agent, or Firm* — Stetina Brunda Garred Brucker

(57) **CLAIM**

The ornamental design for a bar, as shown and described.

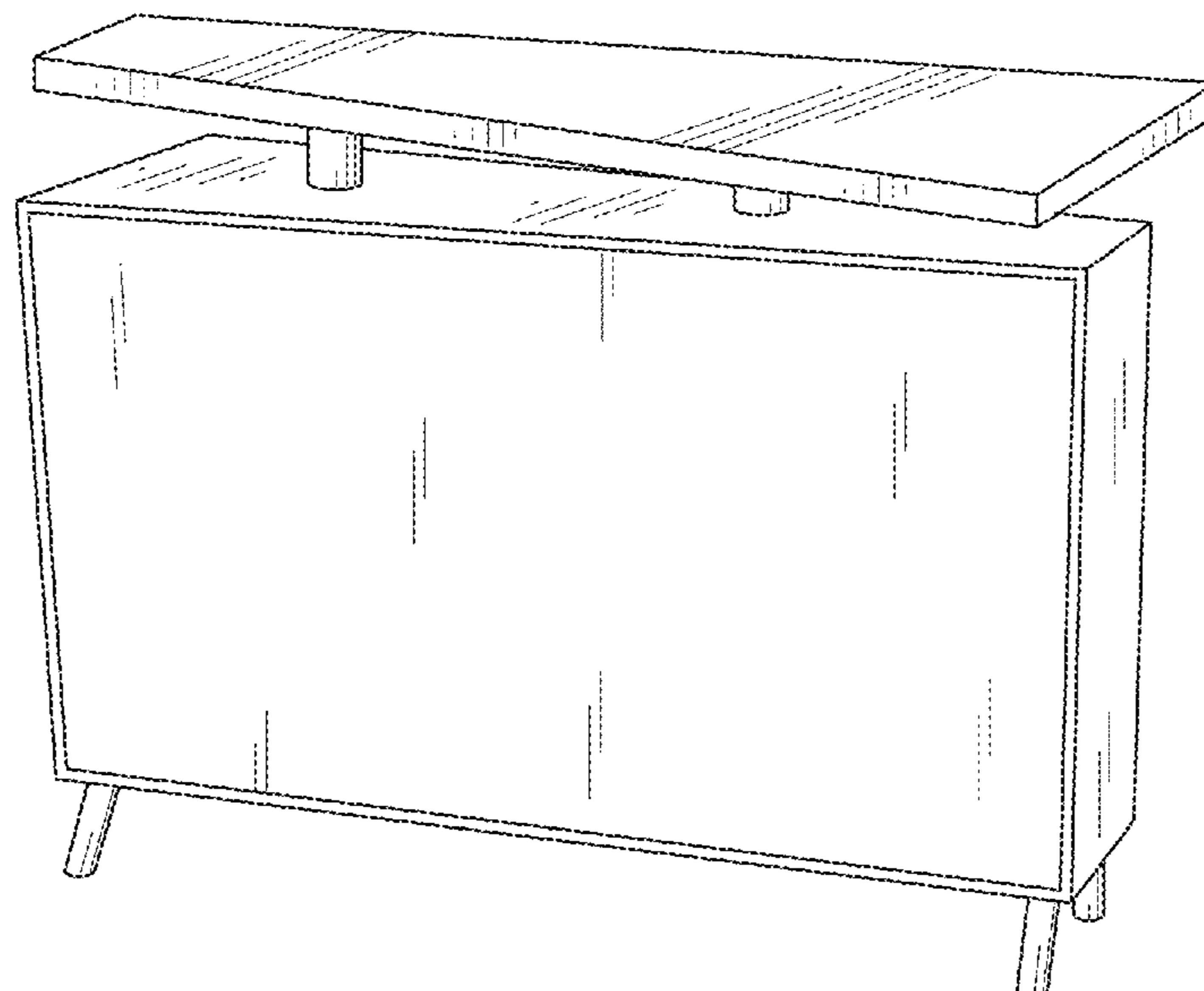
DESCRIPTION

FIG. 1 is a front perspective view of the bar of the present invention having a fixed upper bar surface showing my new design;
FIG. 2 is a rear perspective view thereof;
FIG. 3 is a top plan view thereof;
FIG. 4 is a front elevational view thereof;
FIG. 5 is a bottom plan view thereof;
FIG. 6 is a left side view thereof;
FIG. 7 is a right side view thereof; and,
FIG. 8 is a rear elevational view thereof.
The dotted lines shown in the figures do not form a part of the claimed design.

(56) **References Cited**
U.S. PATENT DOCUMENTS

D111,648 S 10/1938 Canterbury
D115,404 S 1/1939 Hobson
3,169,811 A 2/1965 Stewart
D219,279 S 11/1970 Beavers
D244,924 S 7/1977 Scheibner
D255,516 S 6/1980 Pittman
D276,565 S 11/1984 Cortina

1 Claim, 3 Drawing Sheets



(56)

References Cited

U.S. PATENT DOCUMENTS

D909,103 S * 2/2021 Muller D6/678.1
D909,156 S * 2/2021 Chen D7/701

OTHER PUBLICATIONS

www.peterpepper.com, Model AX35 Axxess Mobile Desk, webpage
<<http://www.peterpepper.com/products/desks/axcess/AX35>>, Sep. 19,
2019, 2 pages.

* cited by examiner

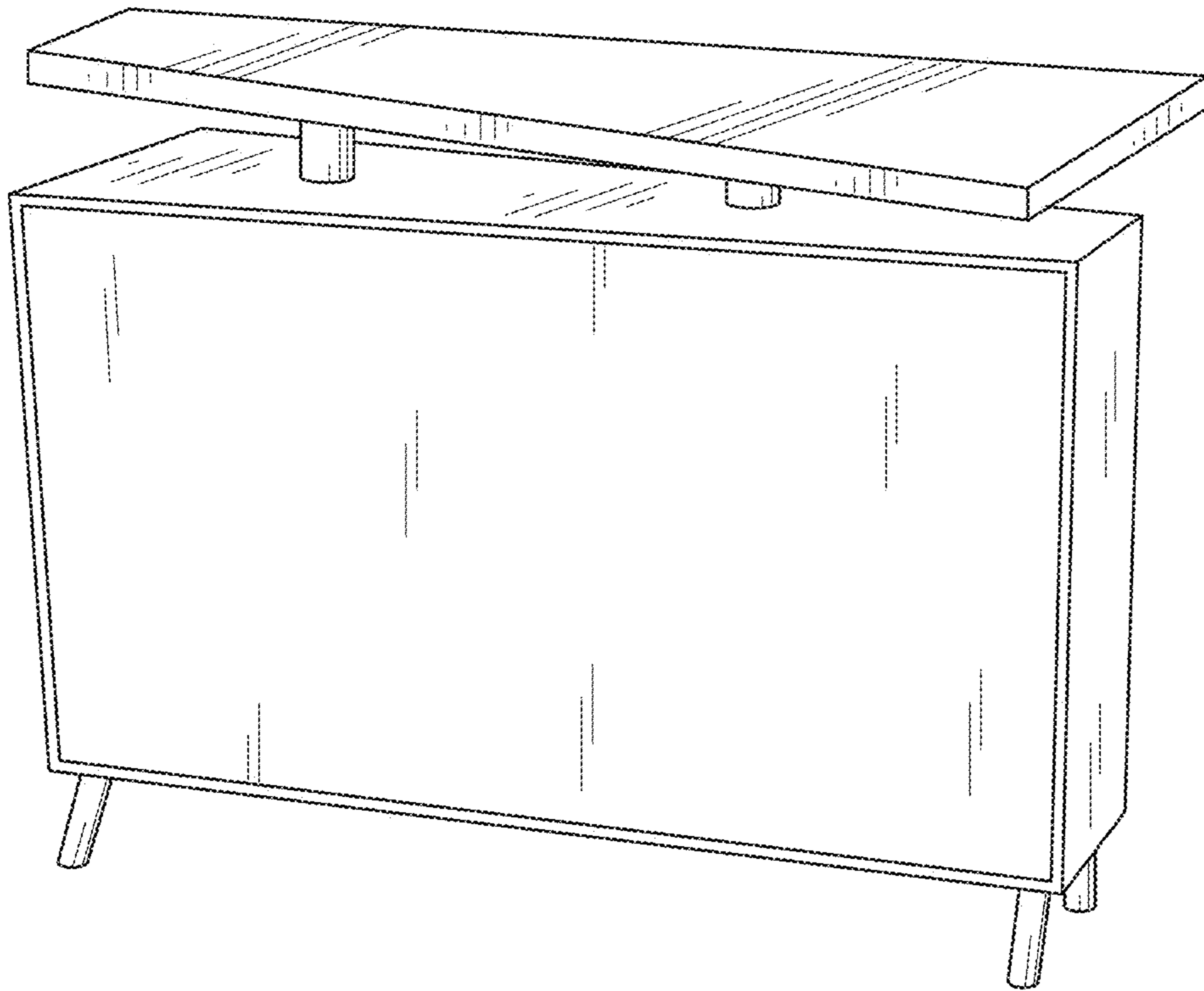


FIG. 1

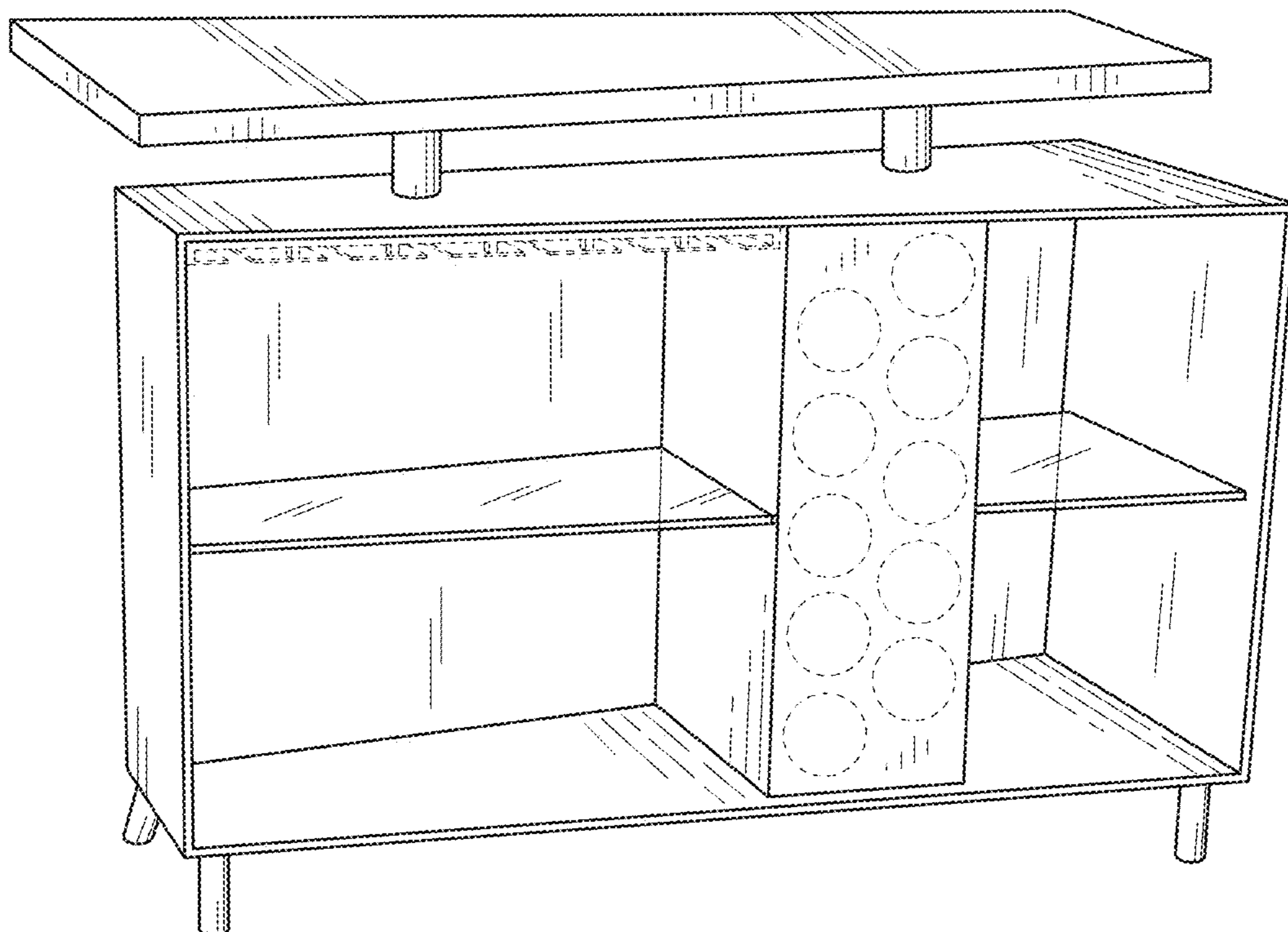


FIG. 2

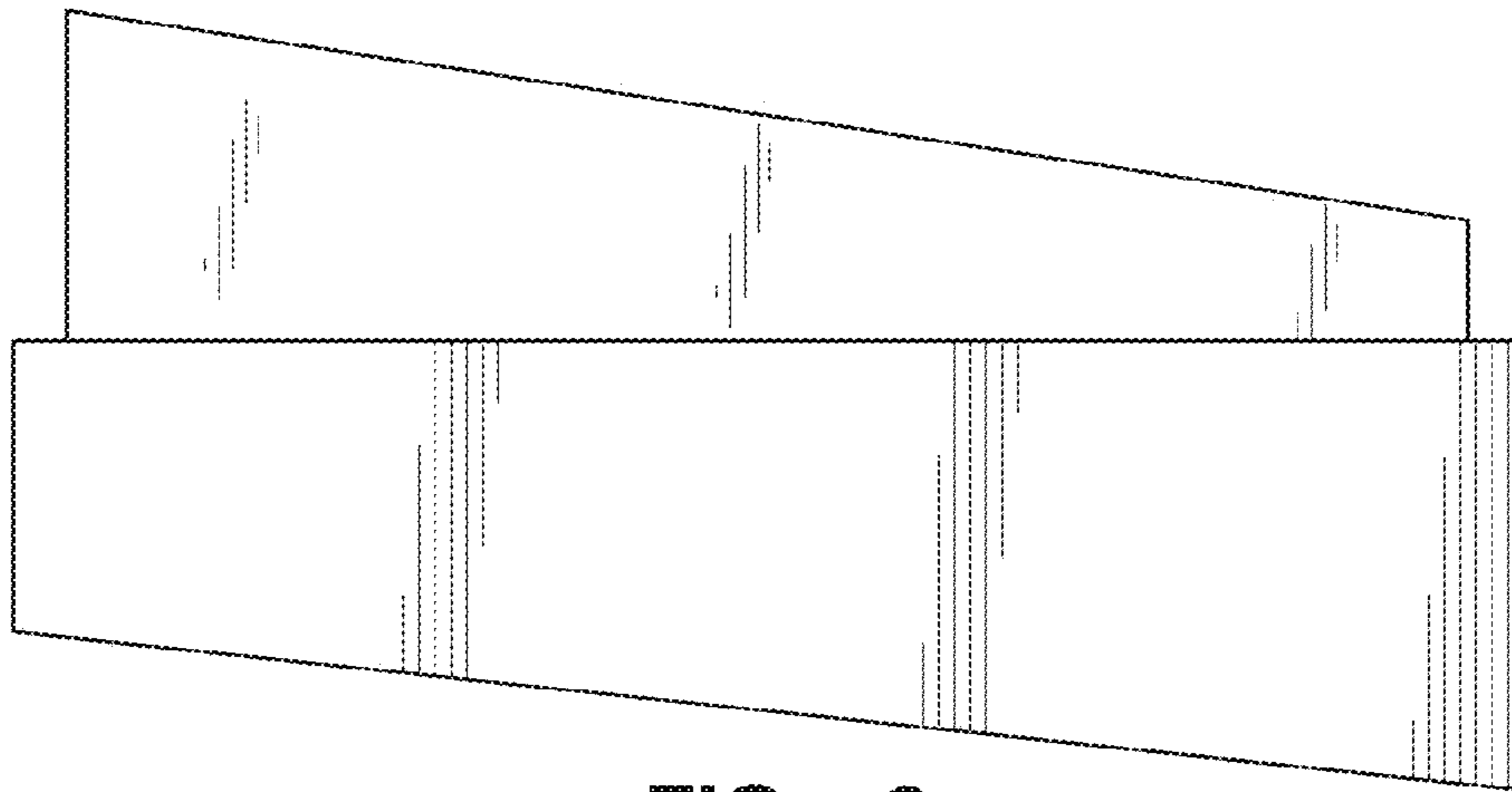


FIG. 3

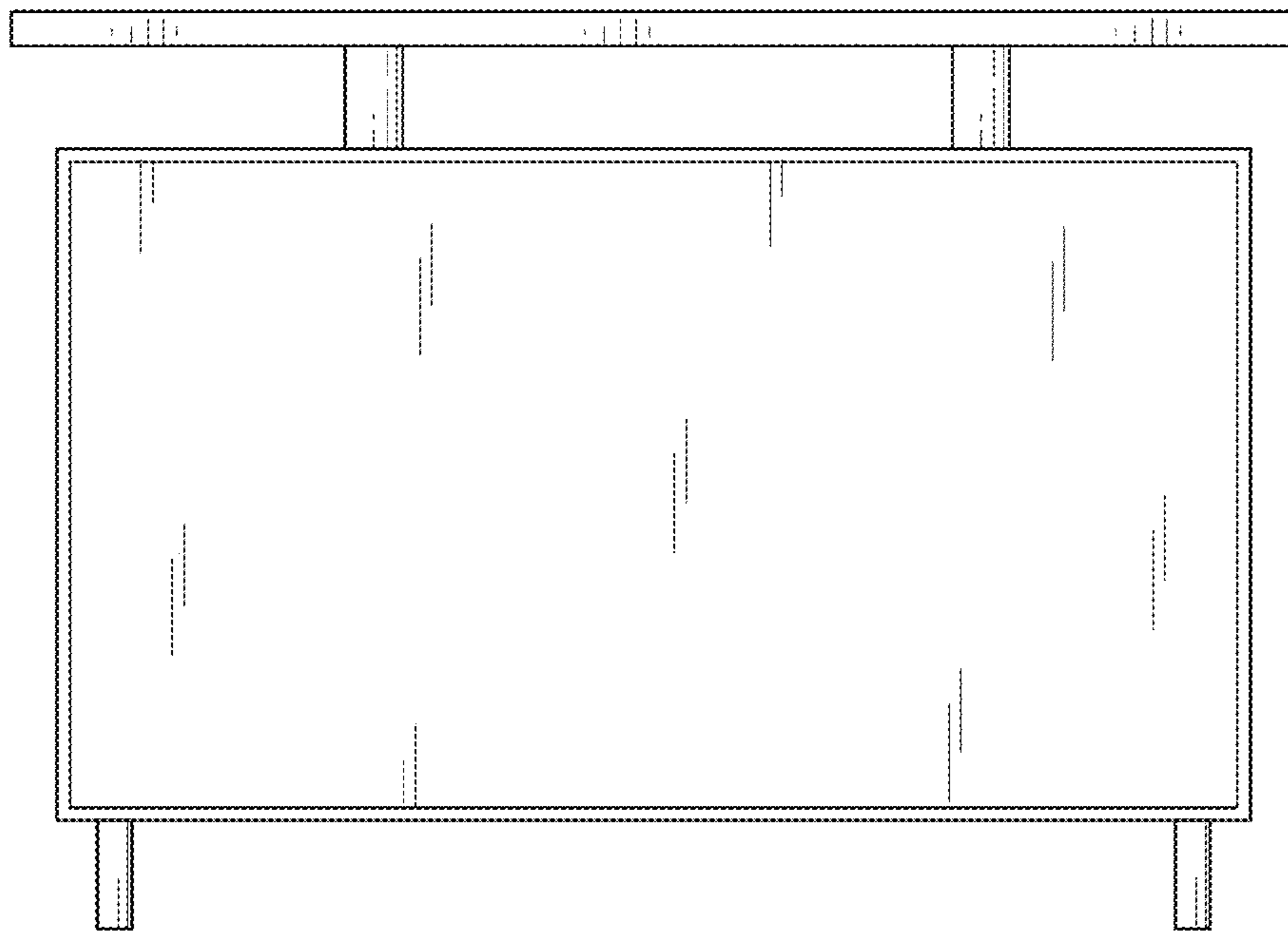


FIG. 4

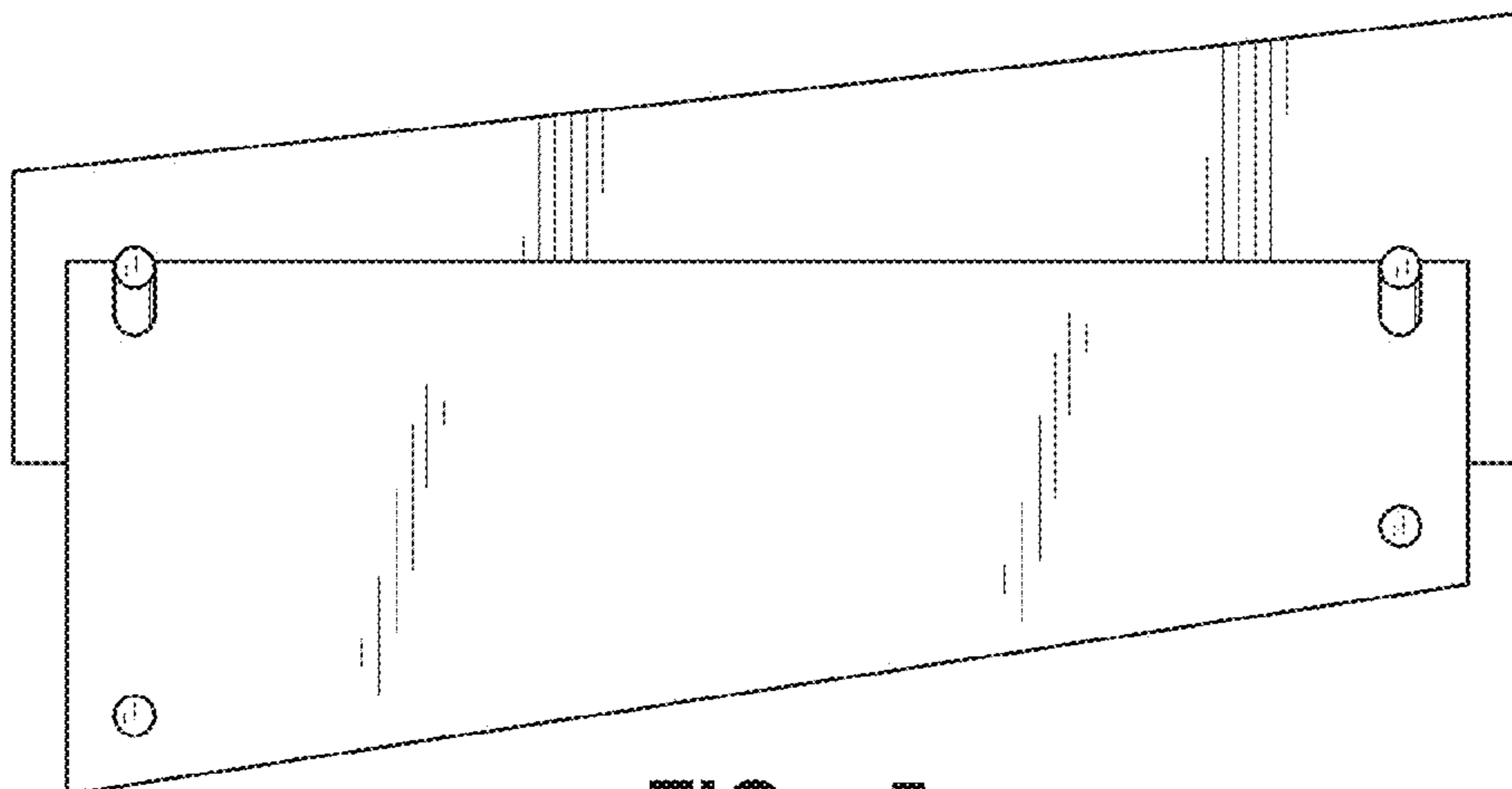


FIG. 5

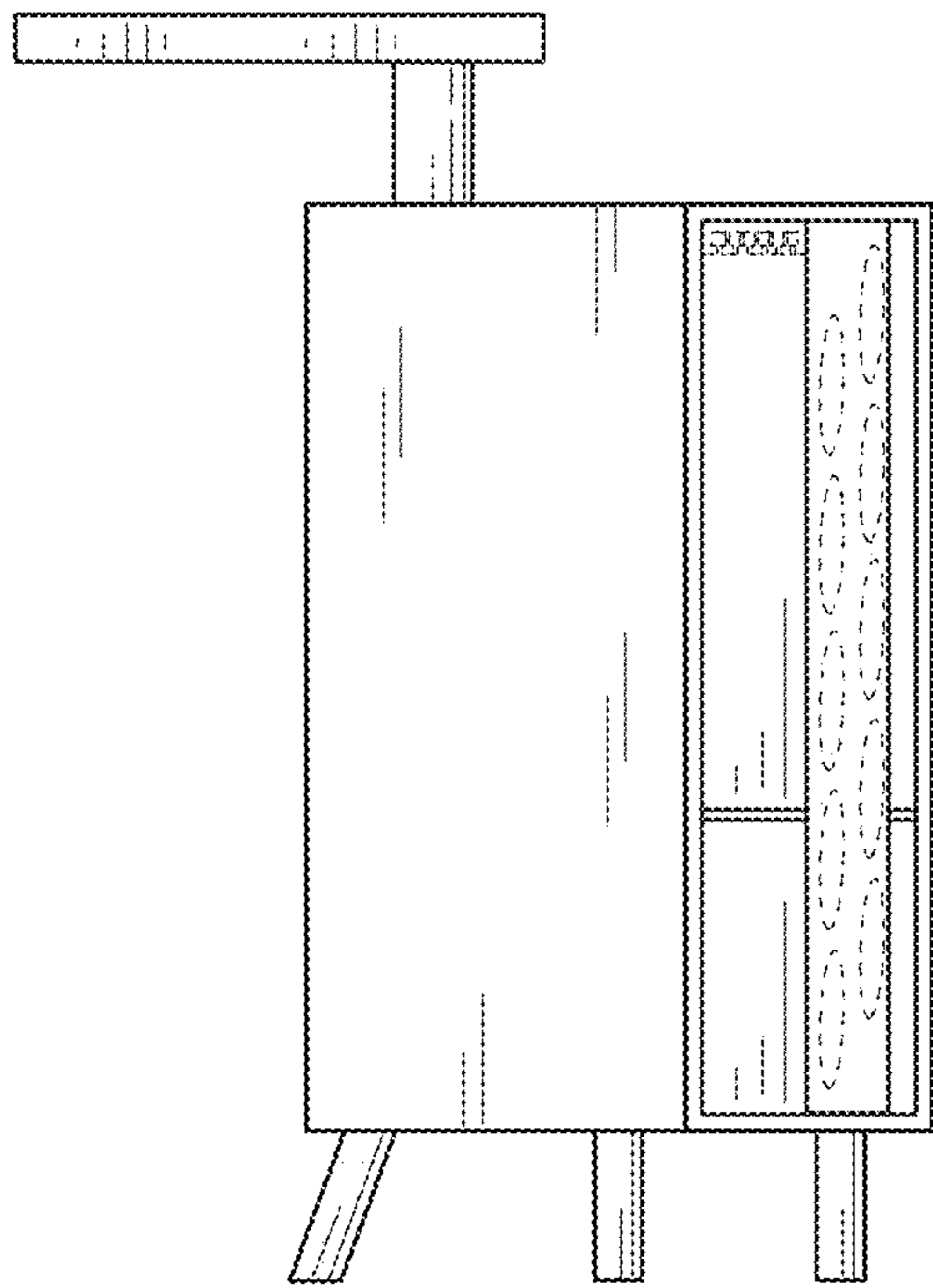


FIG. 6

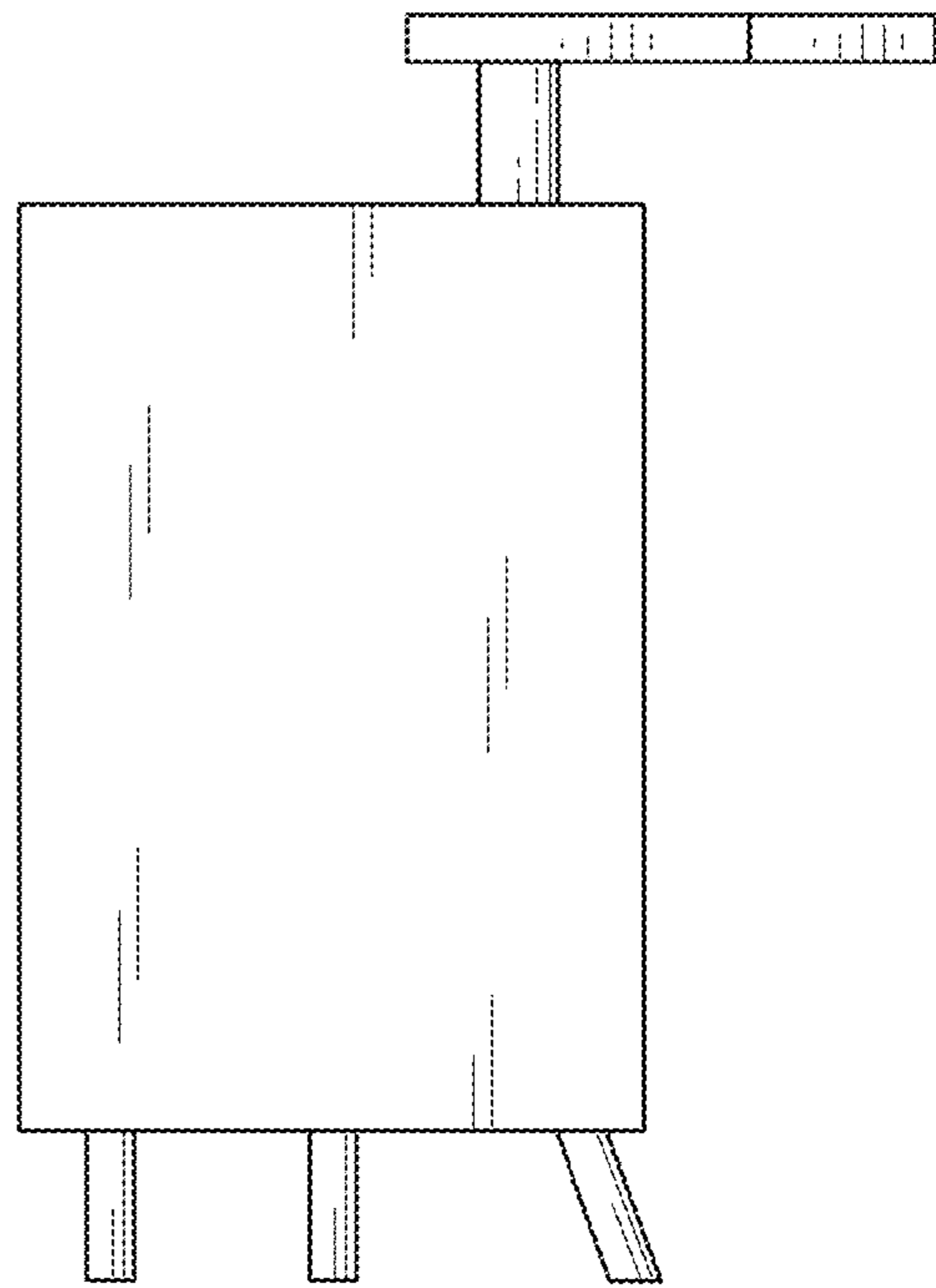


FIG. 7

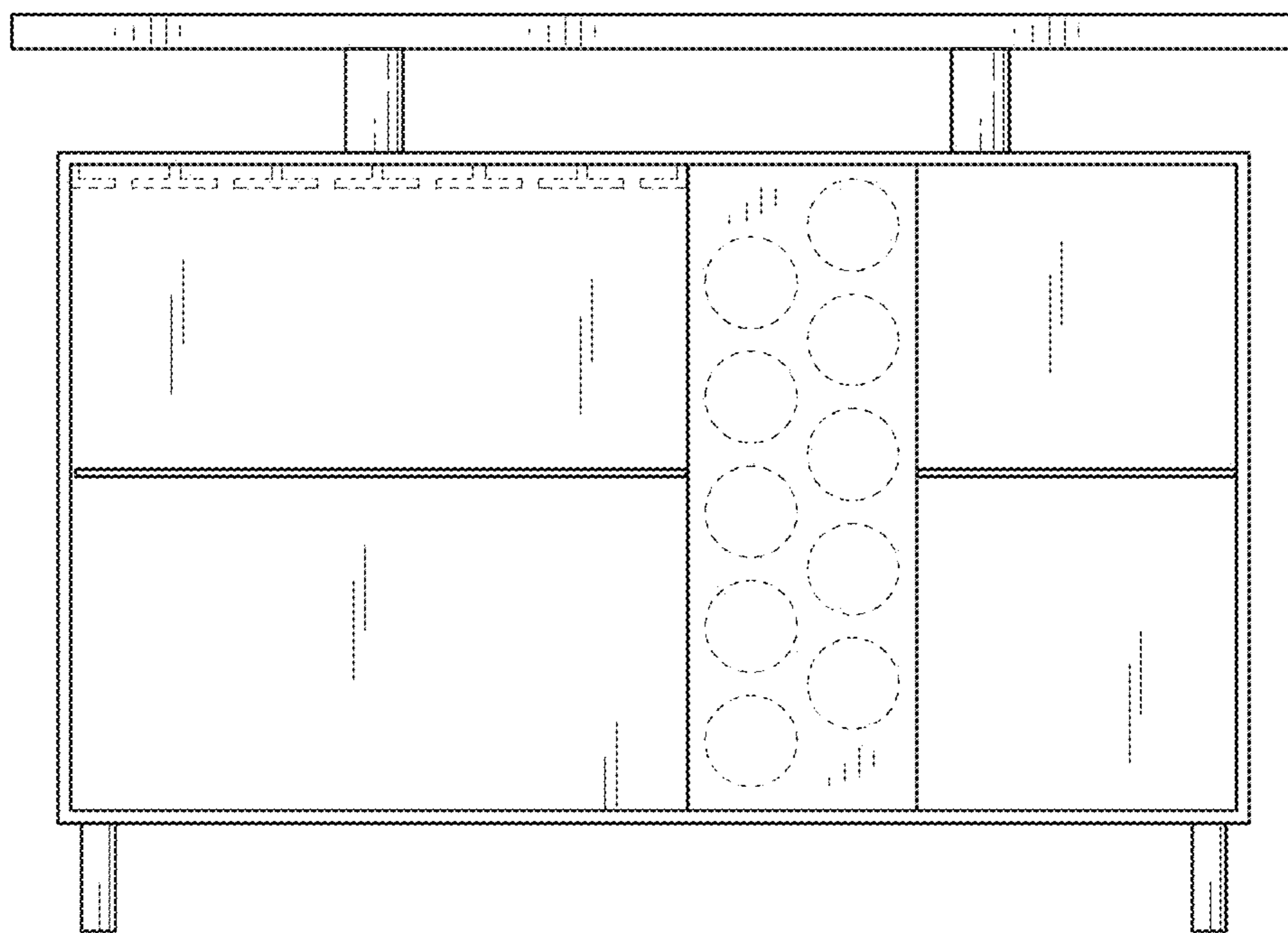


FIG. 8