



US00D932220S

(12) **United States Design Patent** (10) **Patent No.:** **US D932,220 S**
Liss et al. (45) **Date of Patent:** **** Oct. 5, 2021**

(54) **WIRE DECK FOR A SHELVING UNIT**

(71) Applicant: **Edsal Manufacturing Company, Inc.**,
Chicago, IL (US)

(72) Inventors: **Mitchell Liss**, Northbrook, IL (US);
Christopher Quick, Mokena, IL (US);
Mitchell E. Bianchin, Villa Park, IL
(US)

(73) Assignee: **Edsal Manufacturing Company, LLC**,
Chicago, IL (US)

(**) Term: **15 Years**

(21) Appl. No.: **29/671,413**

(22) Filed: **Nov. 27, 2018**

(51) **LOC (13) Cl.** **06-06**

(52) **U.S. Cl.**
USPC **D6/675.5**

(58) **Field of Classification Search**
USPC D6/396-397, 449, 465, 468, 475,
D6/510-511, 574, 705, 705.6, 707.19,
D6/672, 675, 675.1, 675.2, 675.5;
D3/304, 315, 317
CPC A47F 1/00; A47F 5/0018; A47F 5/0056;
A47F 5/01; A47F 7/00; A47F 5/0031;
A47B 45/00; A47B 57/00
See application file for complete search history.

(56) **References Cited**

U.S. PATENT DOCUMENTS

D289,479 S *	4/1987	Brancher	D6/566
D326,579 S *	6/1992	Leeds	D6/566
D354,864 S *	1/1995	Kokenge	D6/566
5,405,026 A *	4/1995	Lee	A47F 5/01 211/106
D424,836 S *	5/2000	Kopala, Jr.	D6/675.2
D437,515 S *	2/2001	Remmers	D6/566
D485,109 S *	1/2004	Oberhaus	D6/574

D489,205 S *	5/2004	Droppers	D6/705.6
D527,935 S *	9/2006	Remmers	D6/566
D544,261 S *	6/2007	Nawrocki	D6/705.6
D592,897 S *	5/2009	Welsch	D6/705.6
D597,342 S *	8/2009	Dickson	D6/675.2
D597,354 S *	8/2009	Liss	D6/705.6
7,950,537 B1 *	5/2011	Goodman	A47B 57/581 211/184

(Continued)

Primary Examiner — Kelley A Donnelly

(74) *Attorney, Agent, or Firm* — Wood Herron & Evans
LLP

(57) **CLAIM**

The ornamental design for a wire deck for a shelving unit,
therefor as shown and described.

DESCRIPTION

FIG. 1 is an isometric view of a wire deck for a shelving unit
with environmental subject matter according to the present
invention.

FIG. 2 is an isometric view of a wire deck for a shelving unit;
FIG. 3 is a detail view of the right end portion of the
invention as seen in FIG. 2;

FIG. 4 is a detail view of the left end portion of the invention
as seen in FIG. 2;

FIG. 5 is a front elevation view thereof, the rear view being
identical to the front view;

FIG. 6 is a right-side elevation view thereof, the left-side
view being identical to the right-side view;

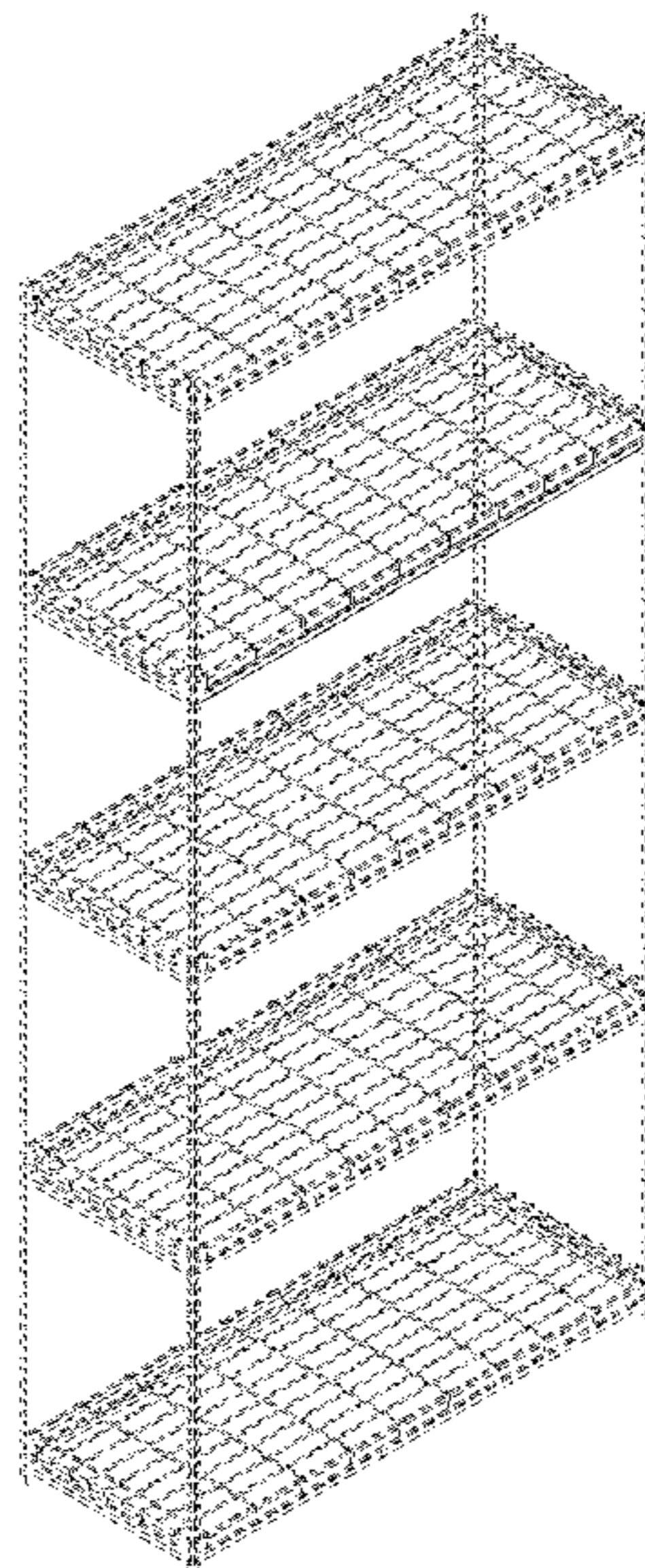
FIG. 7 is a top plan view thereof; and,

FIG. 8 is a bottom plan view thereof.

The broken dash lines in the figures are for illustrative
purposes only and represent non-claimed environmental
subject matter. Neither the portions of the invention shown
in broken dash line nor the broken dash lines themselves
form any part of the claimed invention.

Additionally, the unshown portion of the wire deck for a
shelving unit forms no part of the claimed design.

1 Claim, 6 Drawing Sheets



(56)

References Cited

U.S. PATENT DOCUMENTS

D683,983	S *	6/2013	Troyner	D6/675.2
D683,984	S *	6/2013	Troyner	D6/675.2
D698,589	S *	2/2014	Troyner	D6/705.6
D701,405	S *	3/2014	Pace	D6/675.2
D713,187	S *	9/2014	Troyner	D6/705.5
D742,150	S *	11/2015	Fitzgerald	D6/705.6
D753,421	S *	4/2016	Cheng	D6/675.2
9,526,355	B1 *	12/2016	Rollins	A47F 5/0056
D777,480	S *	1/2017	Anderson	D6/675.2
D781,063	S *	3/2017	Shah	D6/513
9,629,455	B2 *	4/2017	Shah	A47F 5/0892
D799,870	S *	10/2017	Liss	D6/705.6
D893,221	S *	8/2020	Lim	D6/675.2
D905,482	S *	12/2020	Coretti, Jr.	D6/675.2
D911,084	S *	2/2021	Sabounjian	D6/675.2
2004/0011752	A1 *	1/2004	Zadak	A47F 5/0043
					211/90.03
2004/0045920	A1 *	3/2004	Remmers	A47F 5/01
					211/153
2004/0099619	A1 *	5/2004	Bustos	A47F 5/0056
					211/59.2
2012/0000871	A1 *	1/2012	Troyner	A47B 96/02
					211/134
2013/0098856	A1 *	4/2013	Troyner	A47B 96/1408
					211/153
2014/0263131	A1 *	9/2014	Hansel	A47B 95/04
					211/183
2016/0066751	A1 *	3/2016	Hinson	A47K 3/281
					211/85.12
2016/0324319	A1 *	11/2016	Davis	A47B 47/022
2017/0071364	A1 *	3/2017	Turner	A47B 96/061

* cited by examiner

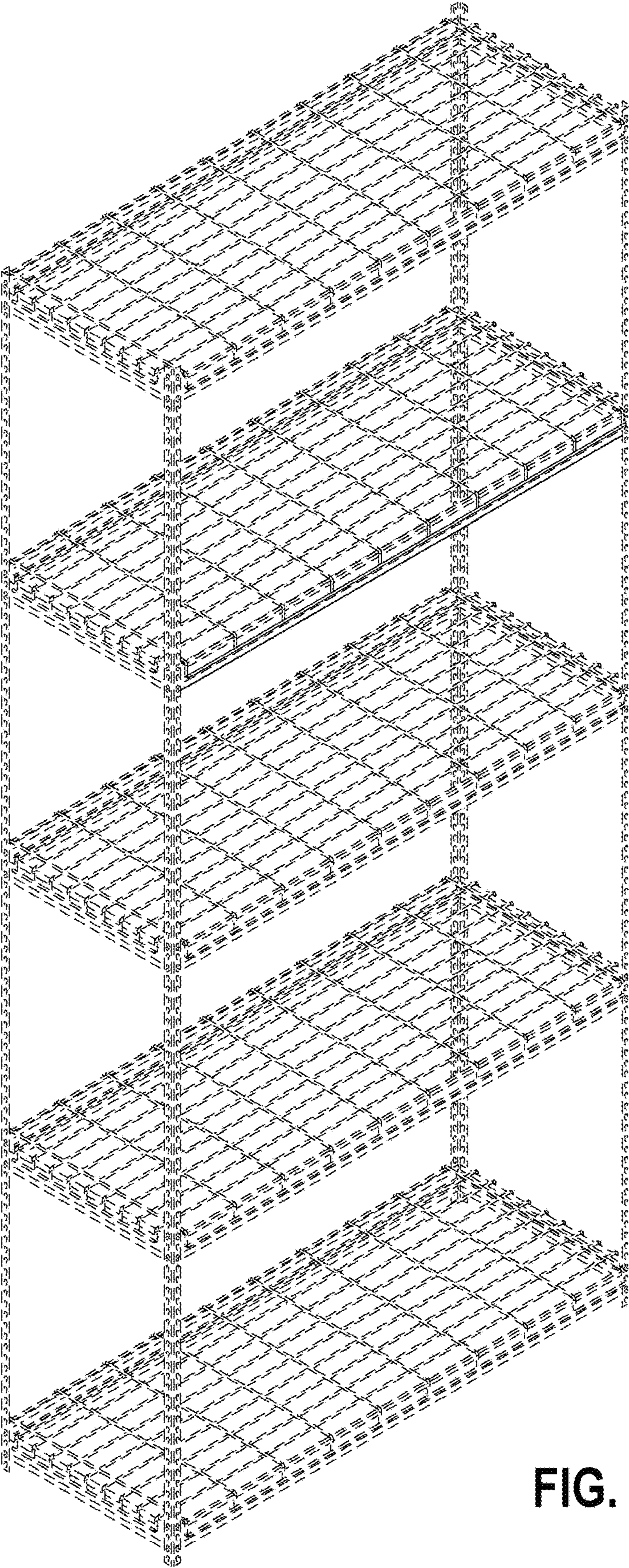


FIG. 1

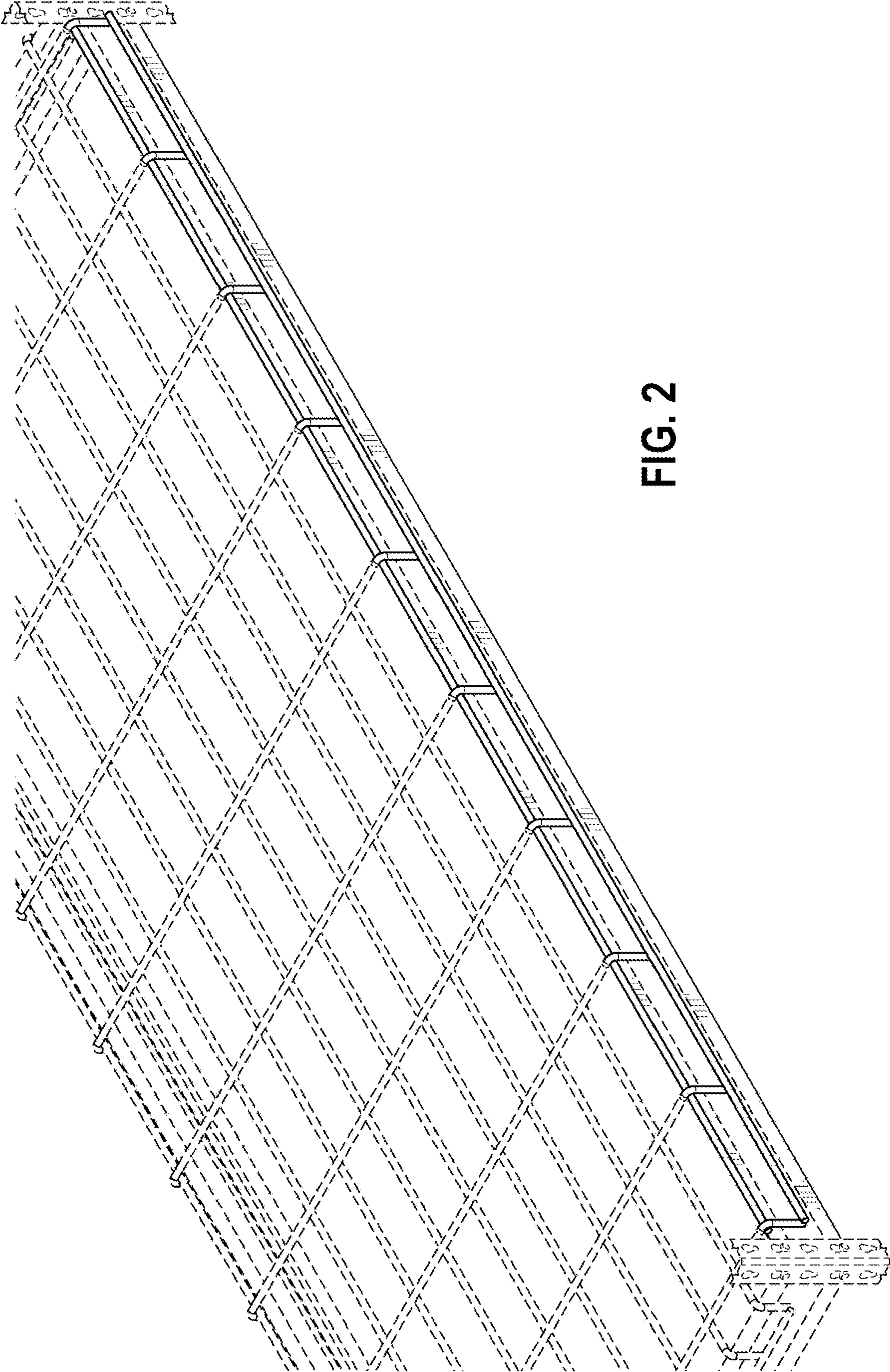


FIG. 2

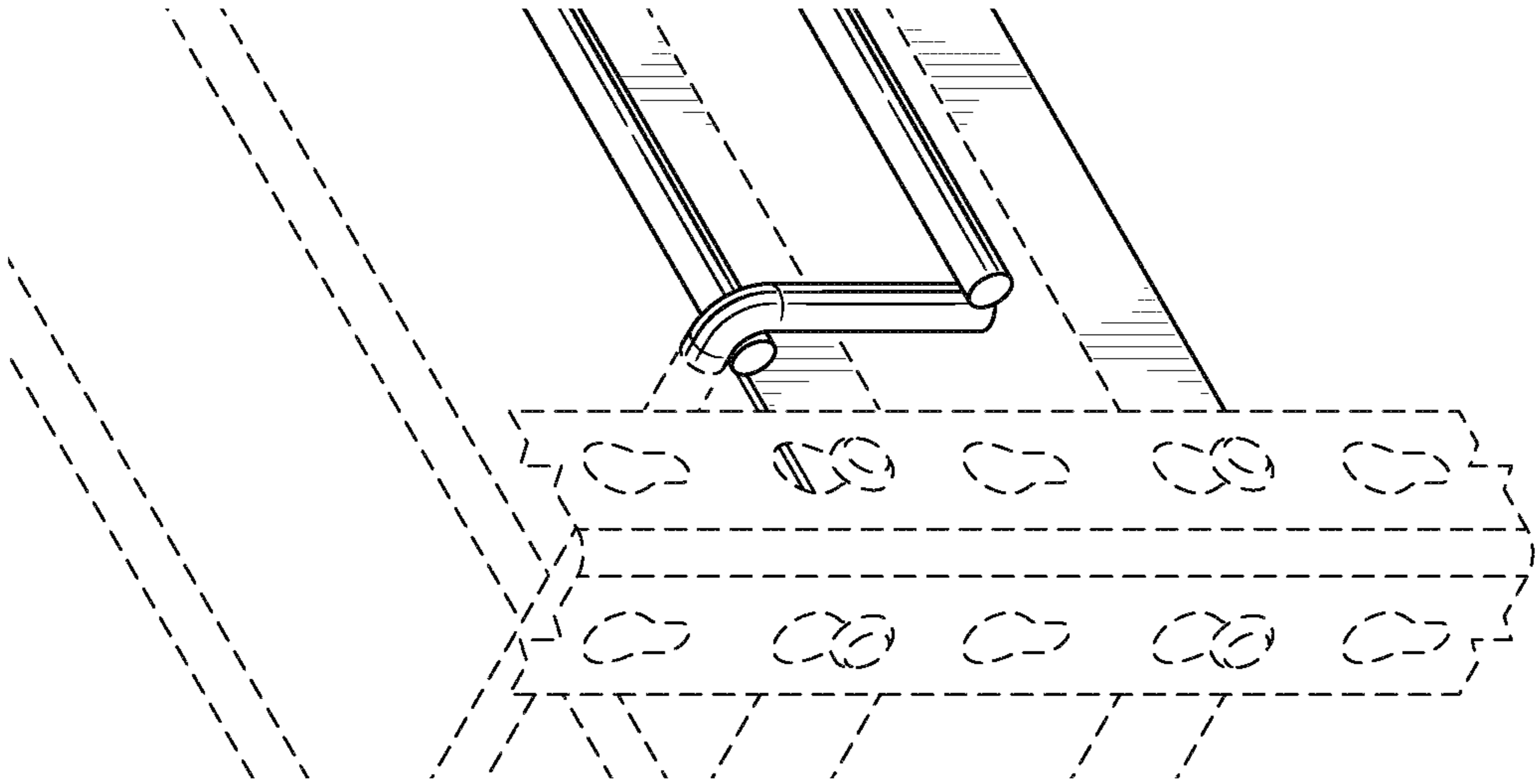


FIG. 4

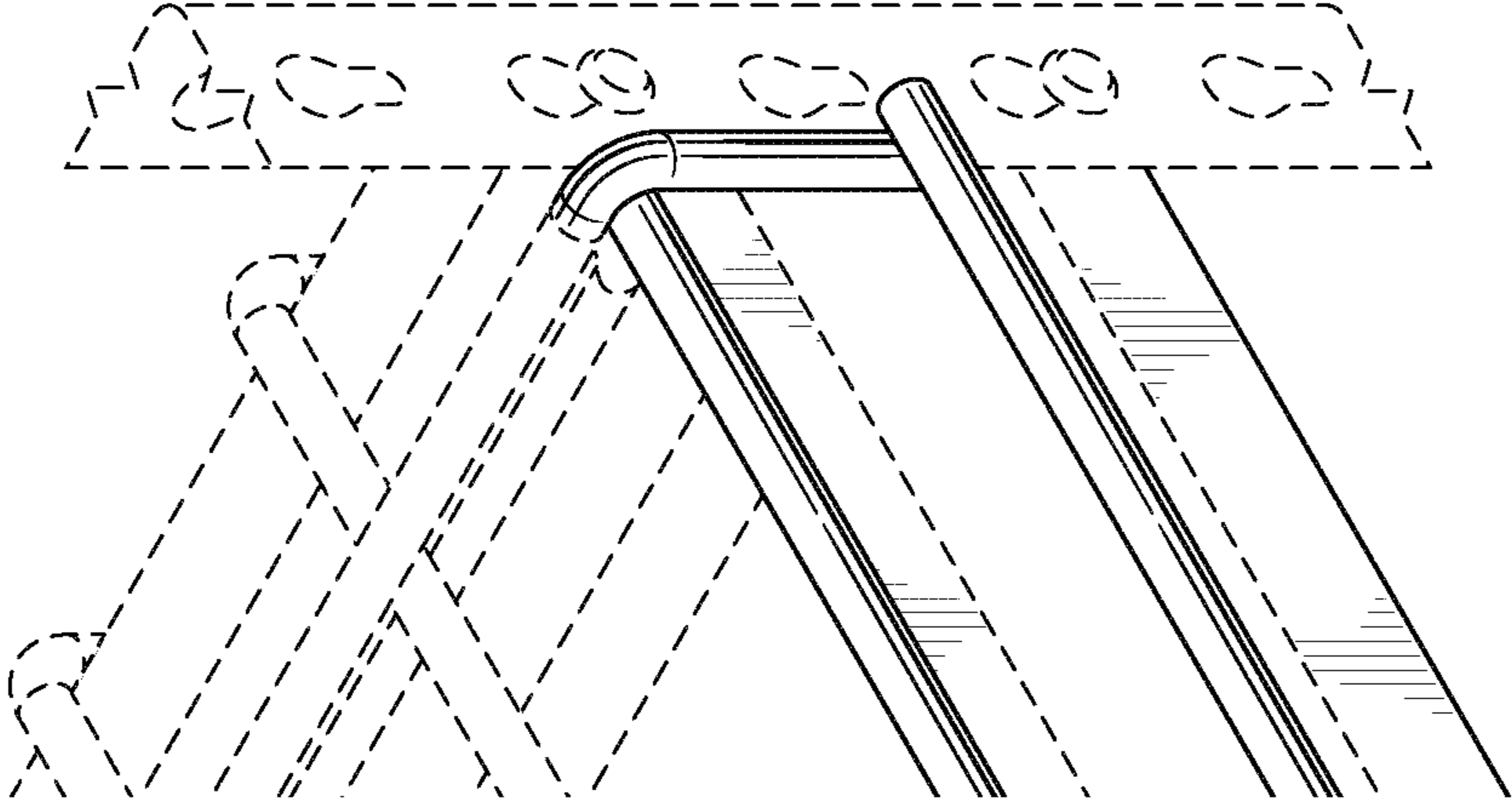


FIG. 3

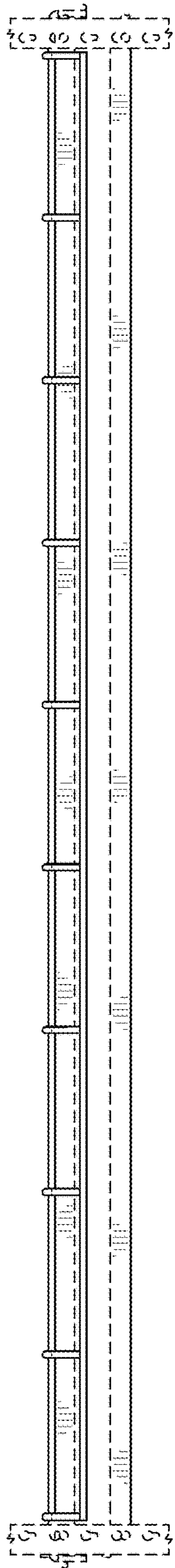


FIG. 5

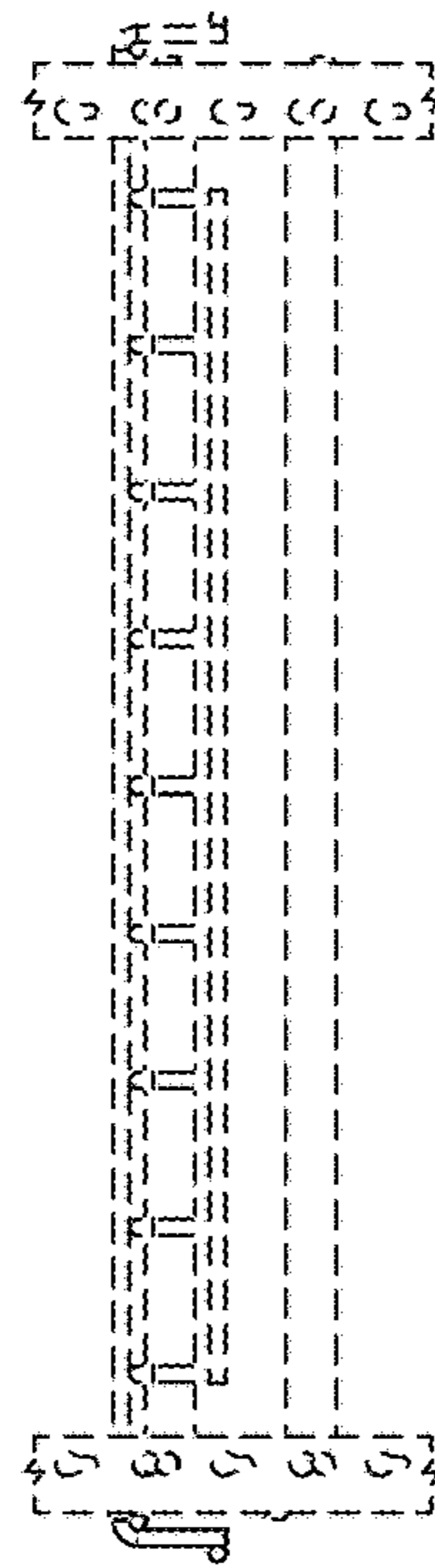


FIG. 6

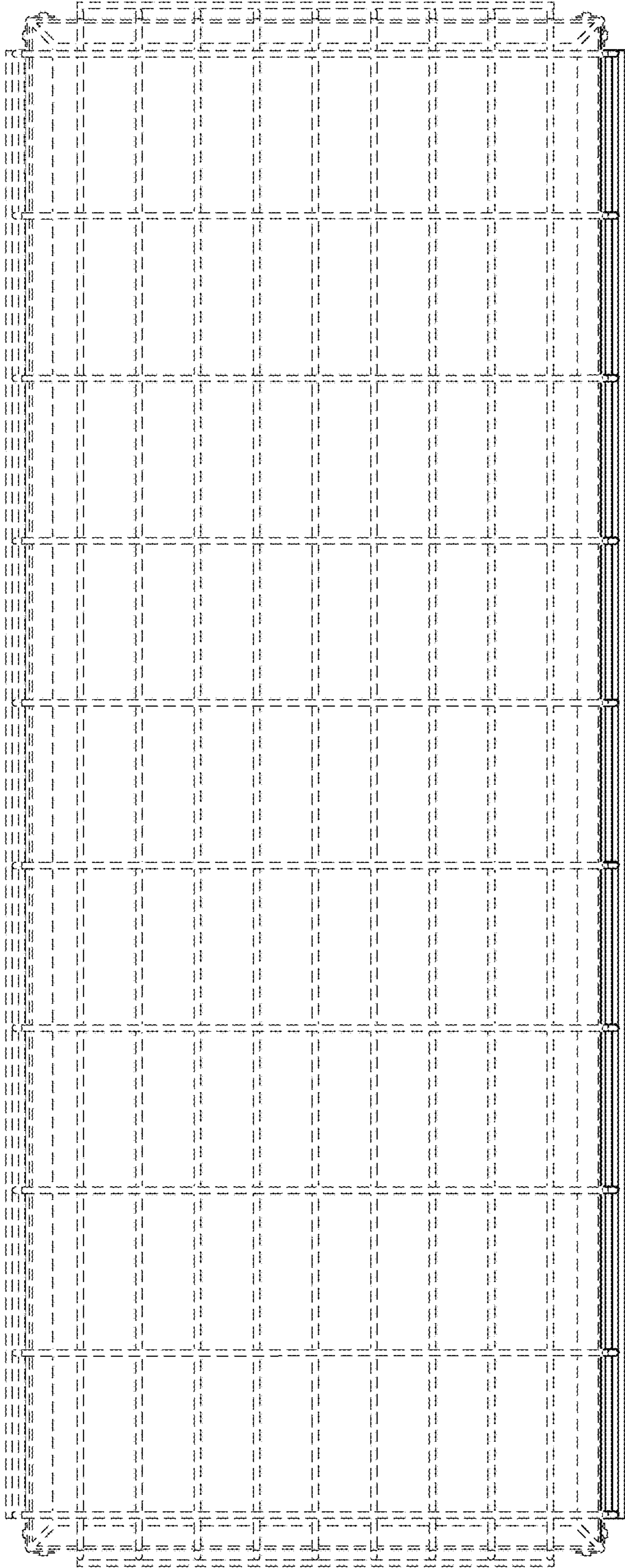


FIG. 7

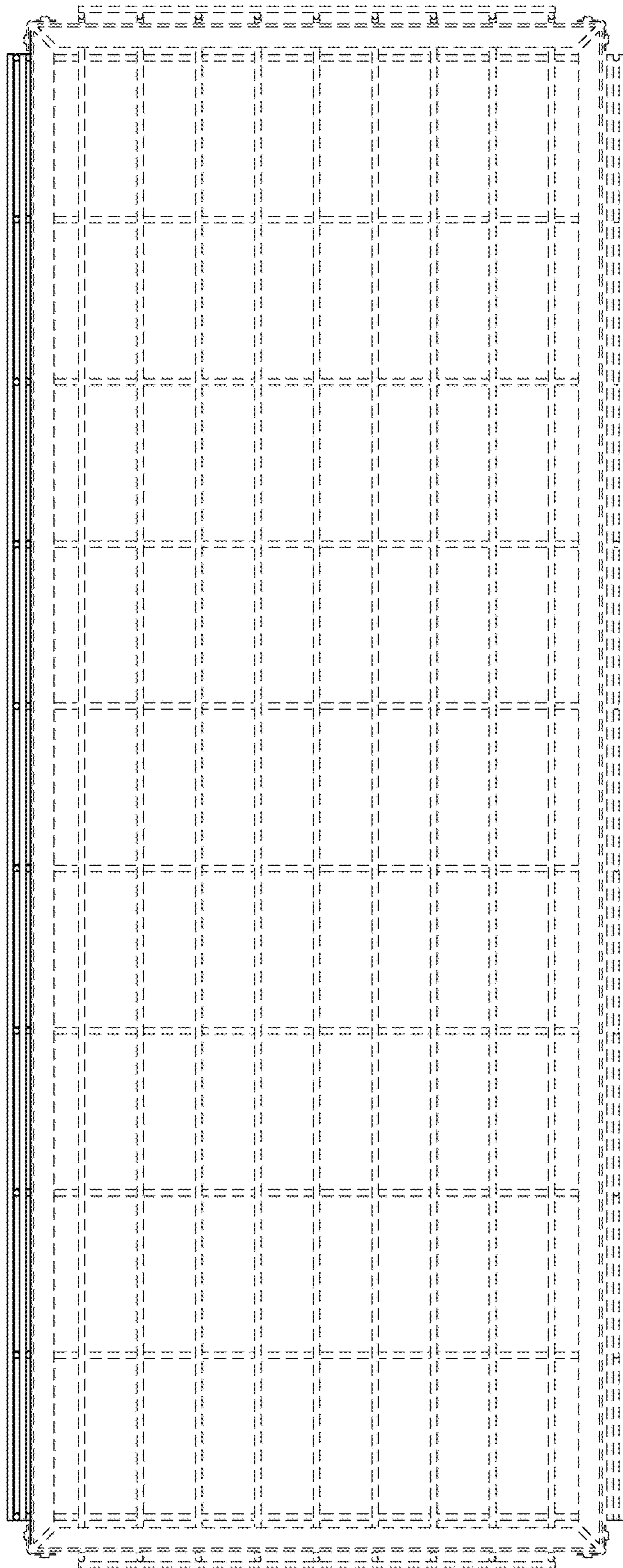


FIG. 8