



US00D932219S

(12) **United States Design Patent** (10) **Patent No.:** **US D932,219 S**  
**Jonsson** (45) **Date of Patent:** **\*\* Oct. 5, 2021**

(54) **ARTICLE OF STORAGE FURNITURE**  
(71) Applicant: **Pineapple Contracts Unlimited,**  
Larkfield (GB)  
(72) Inventor: **Ingemar Jonsson,** Larkfield (GB)  
(\*\*) Term: **15 Years**  
(21) Appl. No.: **35/509,014**

(22) Filed: **Oct. 31, 2019**  
(80) **Hague Agreement Data**  
Int. Filing Date: **Oct. 31, 2019**  
Int. Reg. No.: **DM/206874**  
Int. Reg. Date: **Oct. 31, 2019**  
Int. Reg. Pub. Date: **Apr. 10, 2020**

(30) **Foreign Application Priority Data**  
May 1, 2019 (GB) ..... 6059838  
(51) **LOC (13) Cl.** ..... **06-04**  
(52) **U.S. Cl.**  
USPC ..... **D6/675.1**  
(58) **Field of Classification Search**  
USPC ..... D6/570, 574, 663, 668, 668.1, 668.2,  
D6/671, 671.1, 672, 673, 675,  
D6/675.1-675.5  
CPC ..... A47B 45/00; A47B 67/00; A47B 67/04;  
A47B 79/00; A47B 96/00; A47B 96/02;  
A47B 96/025; A47B 96/027  
See application file for complete search history.

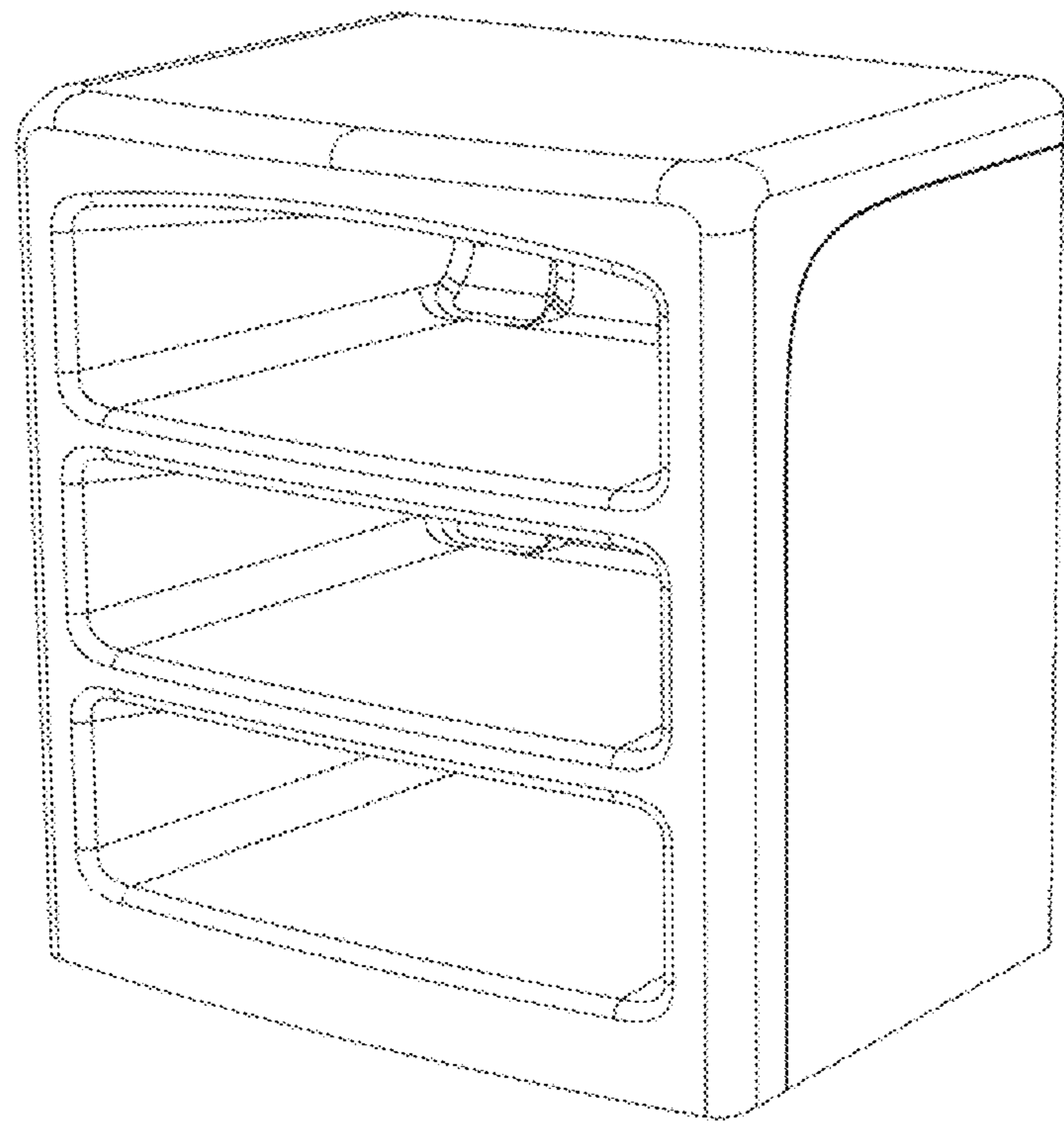
(56) **References Cited**  
U.S. PATENT DOCUMENTS  
D236,777 S \* 9/1975 Loomis ..... D6/675.1  
D253,567 S \* 12/1979 Ungaro ..... D6/570  
D632,913 S \* 2/2011 Szekely ..... D6/570  
D759,995 S \* 6/2016 Miller ..... D6/668.2  
D790,888 S \* 7/2017 Everson ..... D6/671.1  
D829,026 S \* 9/2018 Davis ..... A47B 45/00  
D862,135 S \* 10/2019 Birch ..... D6/671  
D885,807 S \* 6/2020 Chiang ..... D6/675.1  
D905,486 S \* 12/2020 Glaser ..... D6/705.1  
2004/0055980 A1 \* 3/2004 Krieger ..... A47B 45/00  
211/86.01

\* cited by examiner  
*Primary Examiner* — Mary Ann Calabrese

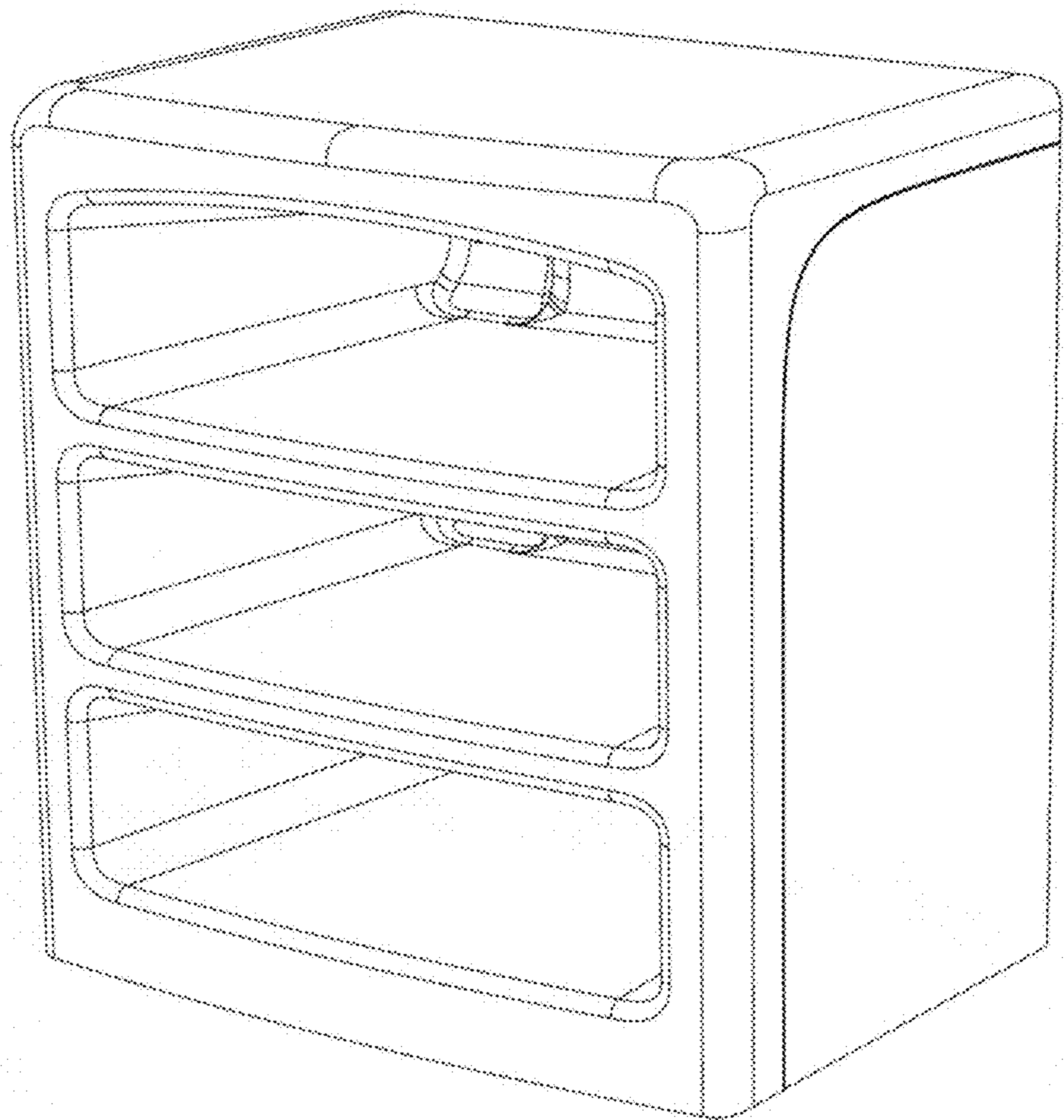
(57) **CLAIM**  
The ornamental design for an article of storage furniture, as shown and described.

**DESCRIPTION**  
1. An article of storage furniture  
FIG. 1.1 is a front perspective view of an article of storage furniture;  
FIG. 1.2 is a front view thereof;  
FIG. 1.3 is a left side view thereof;  
FIG. 1.4 is a right side view thereof;  
FIG. 1.5 is a back view thereof;  
FIG. 1.6 is a bottom view thereof; and  
FIG. 1.7 is a top view thereof.

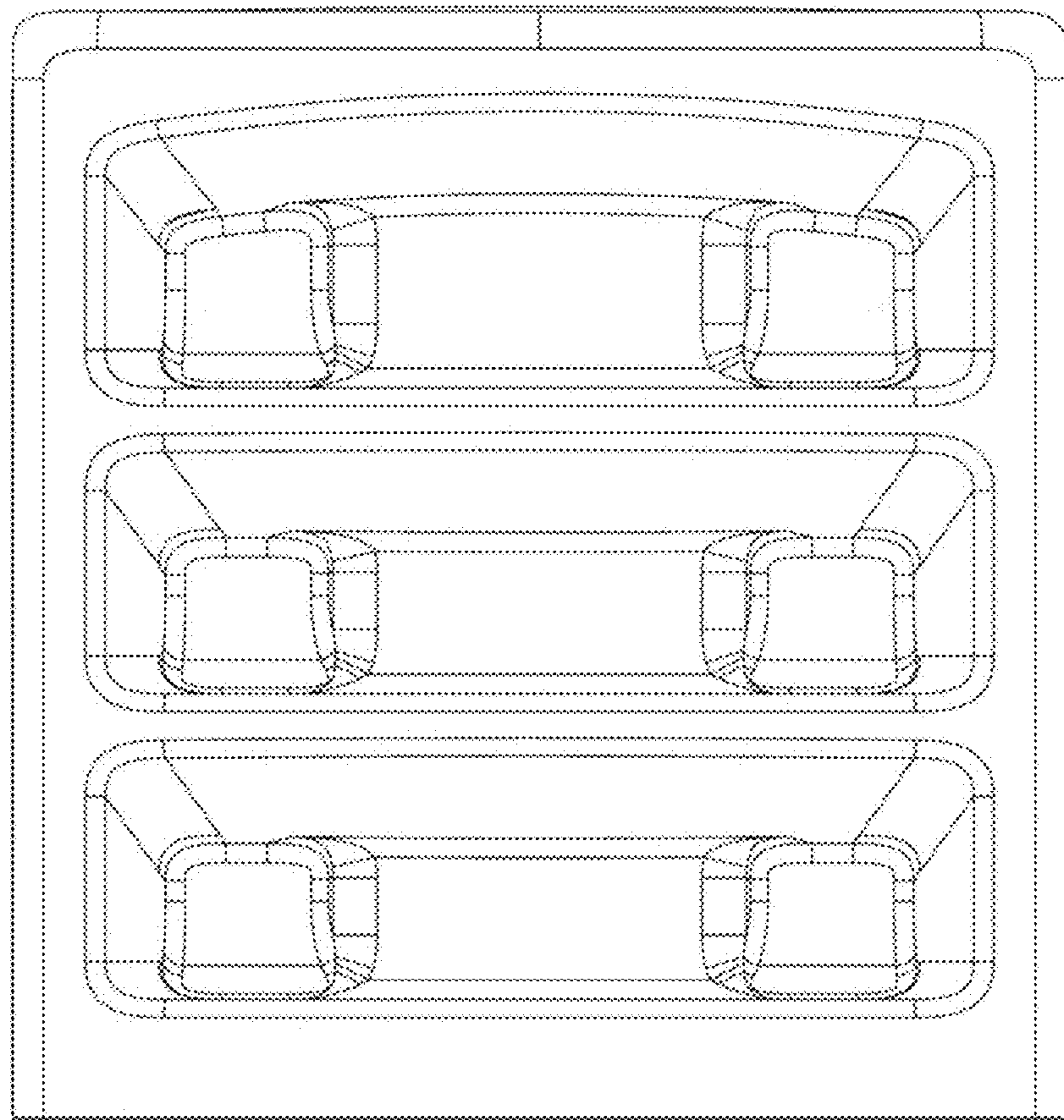
**1 Claim, 7 Drawing Sheets**



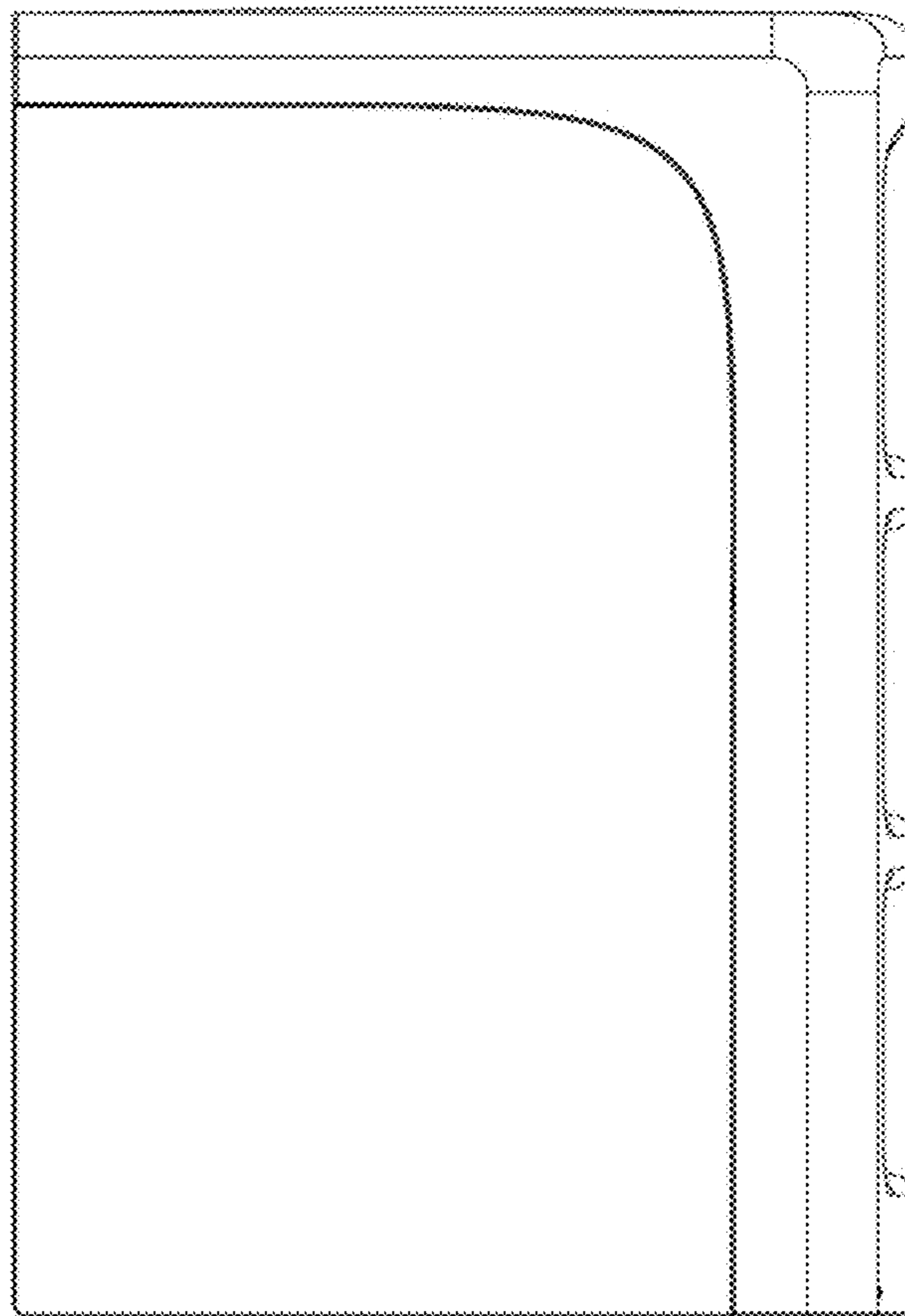
1.1



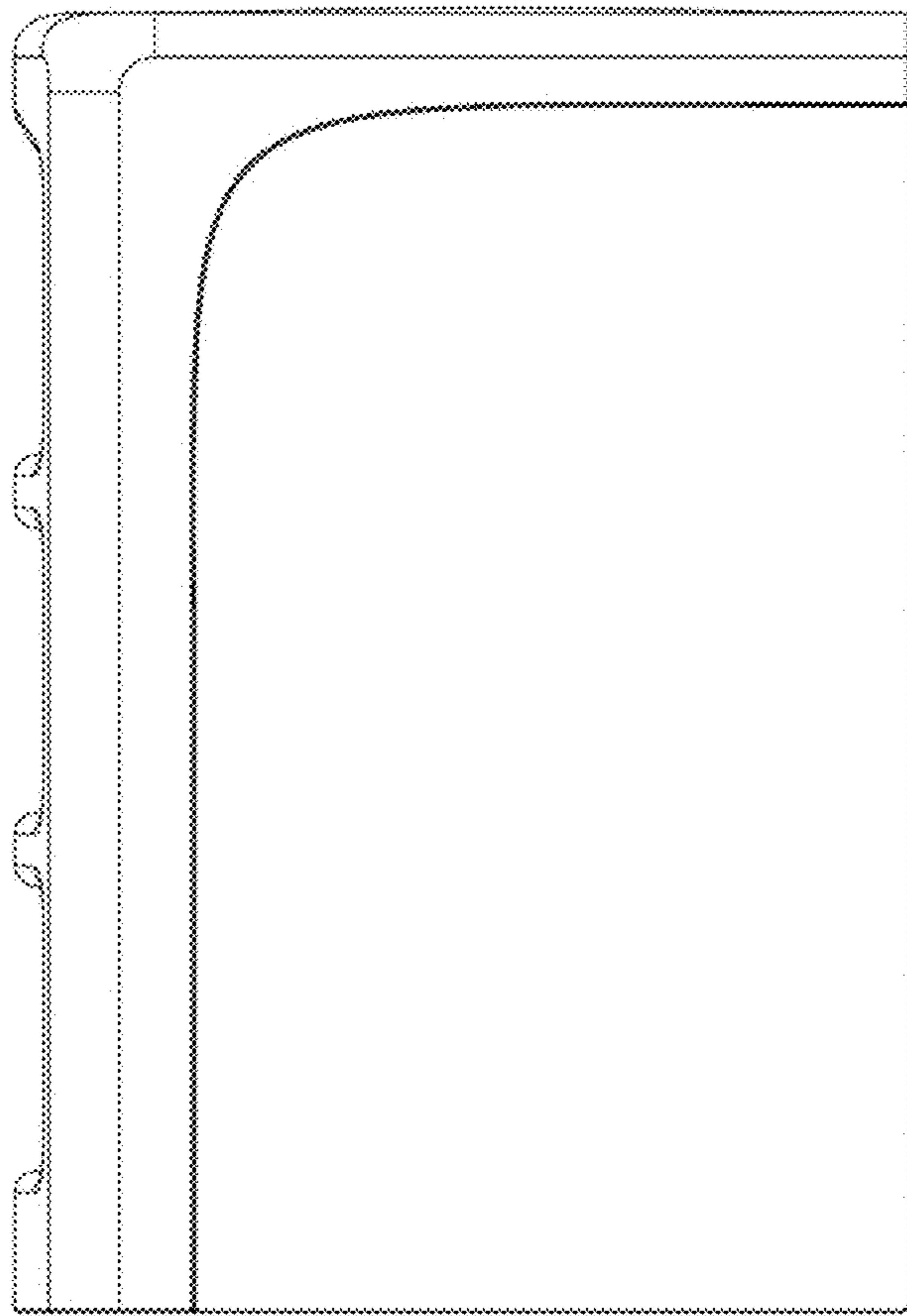
1.2



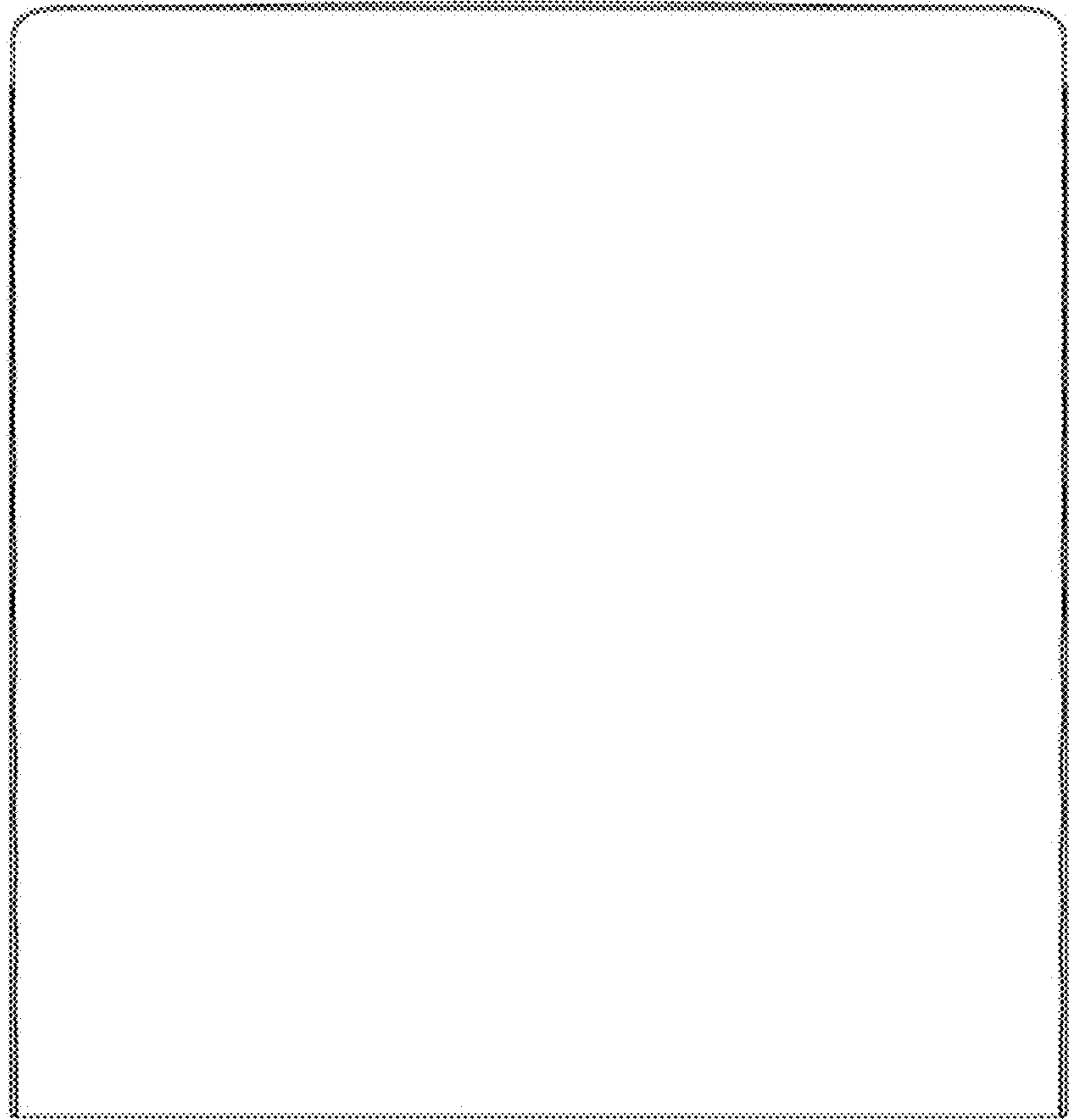
1.3



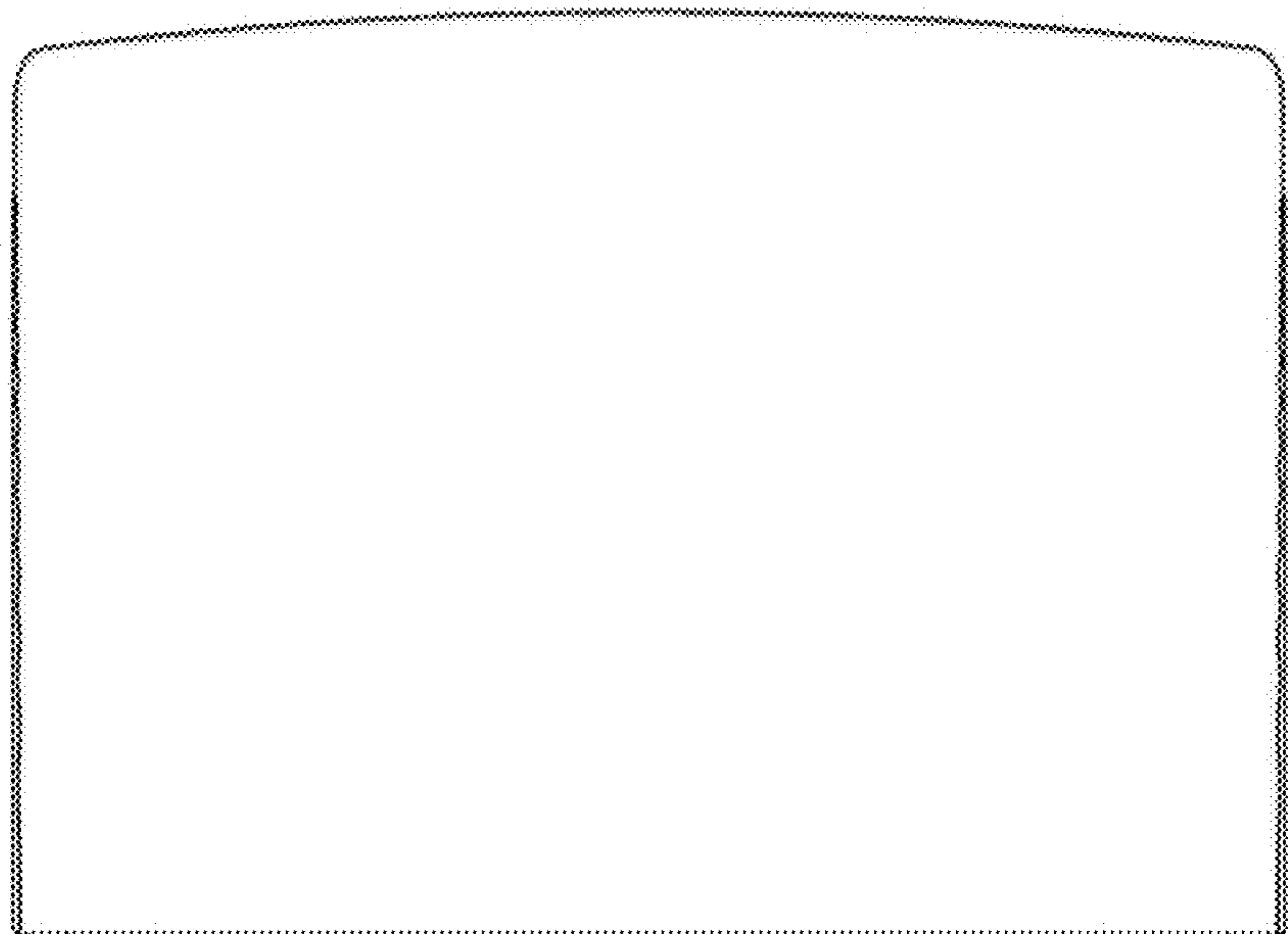
1.4



1.5



1.6



1.7

