



US00D932217S

(12) **United States Design Patent** (10) **Patent No.:** **US D932,217 S**
Xu (45) **Date of Patent:** **** Oct. 5, 2021**

(54) **STORAGE RACK**
(71) Applicant: **Manjiao Xu**, Guangdong (CN)
(72) Inventor: **Manjiao Xu**, Guangdong (CN)
(**) Term: **15 Years**
(21) Appl. No.: **29/734,616**
(22) Filed: **May 14, 2020**
(51) **LOC (13) Cl.** **20-02**
(52) **U.S. Cl.**
USPC **D6/674.1**
(58) **Field of Classification Search**
USPC D6/672, 673, 674, 674.1, 681, 681.1,
D6/681.2, 681.3, 682, 554; D21/483,
D21/526, 532
CPC A47F 7/00; A47F 7/0021; A47F 7/0028;
A63H 33/00; A63H 33/30; A63H 33/305;
A99Z 99/00
See application file for complete search history.

D311,288 S * 10/1990 Lee D6/680.2
D322,524 S * 12/1991 Allen D6/681.3
5,074,421 A * 12/1991 Coulter A47F 5/02
211/78
D326,374 S * 5/1992 Townsend 211/205
D339,009 S * 9/1993 Evenson D6/681.3
5,330,065 A * 7/1994 Bradley B01D 41/04
108/139
D369,032 S * 4/1996 Huang D6/680
D369,496 S * 5/1996 Bartle D6/681.3
D406,960 S * 3/1999 Zaid D6/681.3
D407,918 S * 4/1999 Hansen D6/674
D413,456 S * 9/1999 Huang D6/674.1

(Continued)

OTHER PUBLICATIONS

iLearn Kids Cleaning Set, iPlay iLearn Store, amazon.com, https://www.amazon.com/iPlay-iLearn-Cleaning-Household-Organizing/dp/B08BNTLYQW/ref=sr_1_2?dchild=1&keywords=Kids+Cleaning+Toy+Set&qid=1627311099&sr=8-2 (Year: 2020).*

Primary Examiner — Steven J Cxyz

(57) **CLAIM**

The ornamental design for a storage rack, as shown and described.

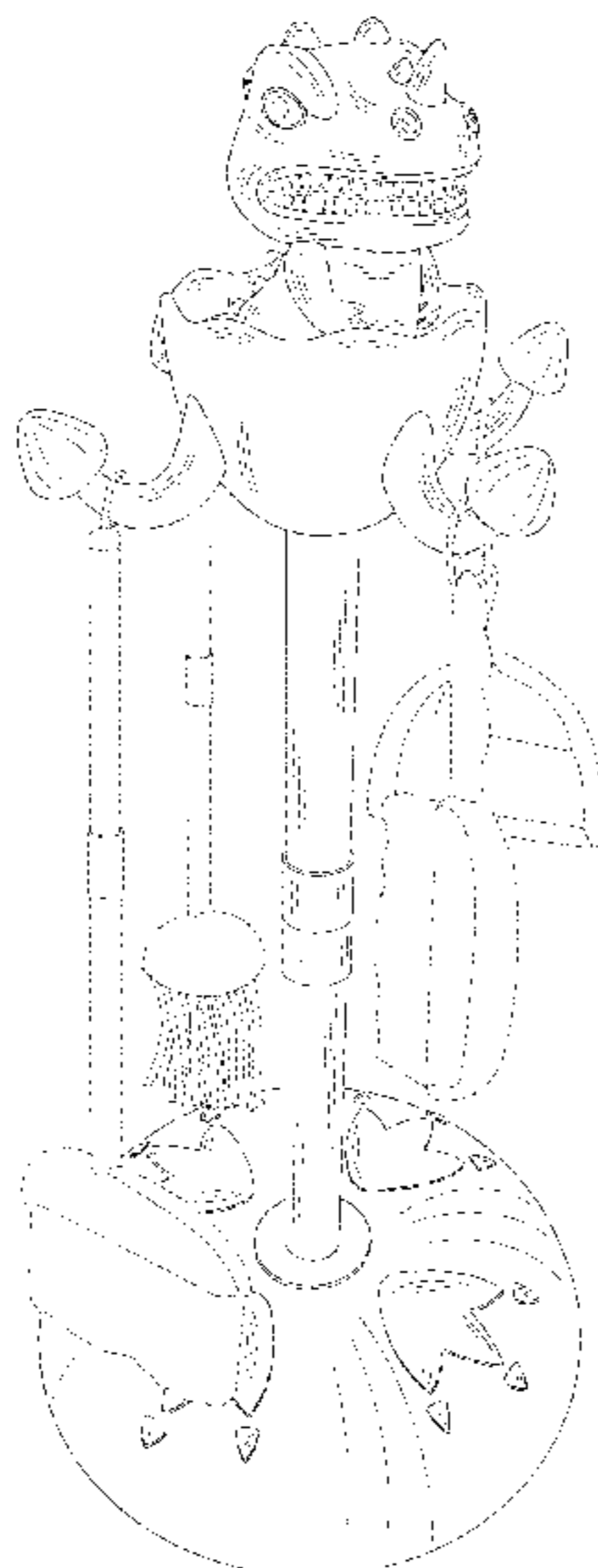
DESCRIPTION

FIG. 1 is a perspective view of a storage rack showing my new design;
FIG. 2 is a front elevational view thereof;
FIG. 3 is a rear elevational view thereof;
FIG. 4 is a left side elevational view thereof;
FIG. 5 is a right side elevational view thereof;
FIG. 6 is a top plan view thereof;
FIG. 7 is a bottom plan view thereof; and,
FIG. 8 is another perspective view thereof.
The broken lines throughout the drawing figures depict portions of the storage rack that form no part of the claimed design.

1 Claim, 8 Drawing Sheets

(56) **References Cited**
U.S. PATENT DOCUMENTS

2,423,292 A * 7/1947 Brown A47F 7/0028
211/65
2,447,924 A * 8/1948 Vitale A47G 25/0664
211/205
D193,433 S * 8/1962 Goldman et al. D6/674.1
3,204,333 A * 9/1965 Wise A47G 25/0664
228/170
3,685,661 A * 8/1972 Kimmel A47B 81/005
211/64
D237,915 S * 12/1975 Molenaar et al. D6/678.4
3,955,787 A * 5/1976 Brown A47F 5/04
248/159
D241,790 S * 10/1976 Longen et al. D6/681.1
D253,077 S * 10/1979 Wolf D6/680
D263,653 S * 4/1982 Viets D10/71
D290,196 S * 6/1987 Miller D6/674
D302,081 S * 7/1989 Elliott D6/673
D302,082 S * 7/1989 Elliott D6/673



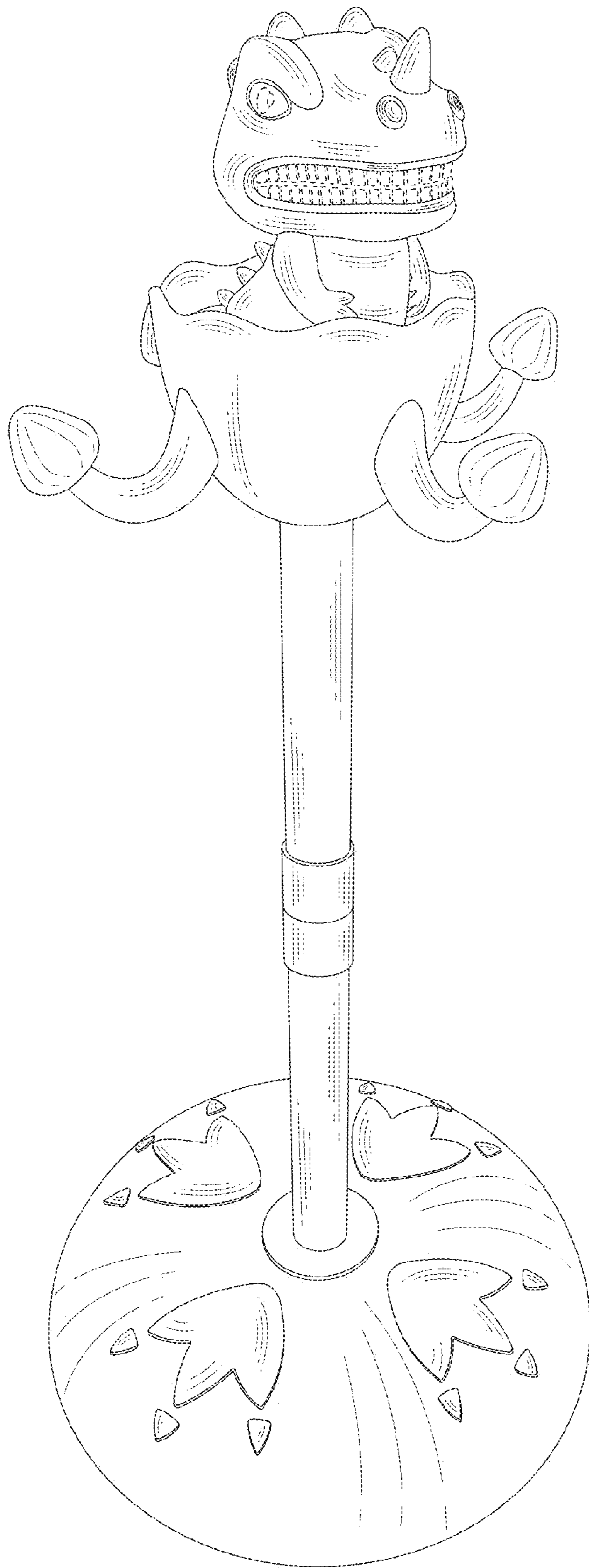


FIG.1

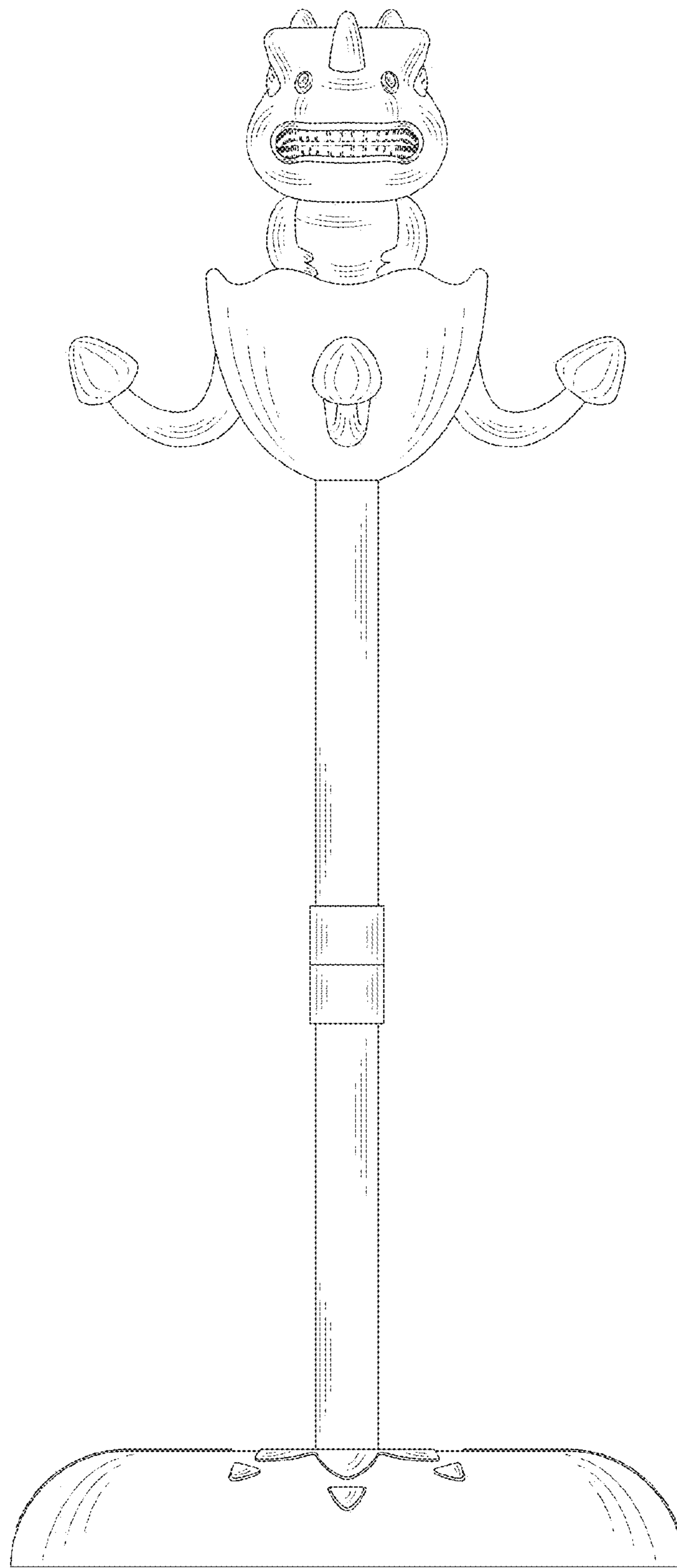


FIG.2

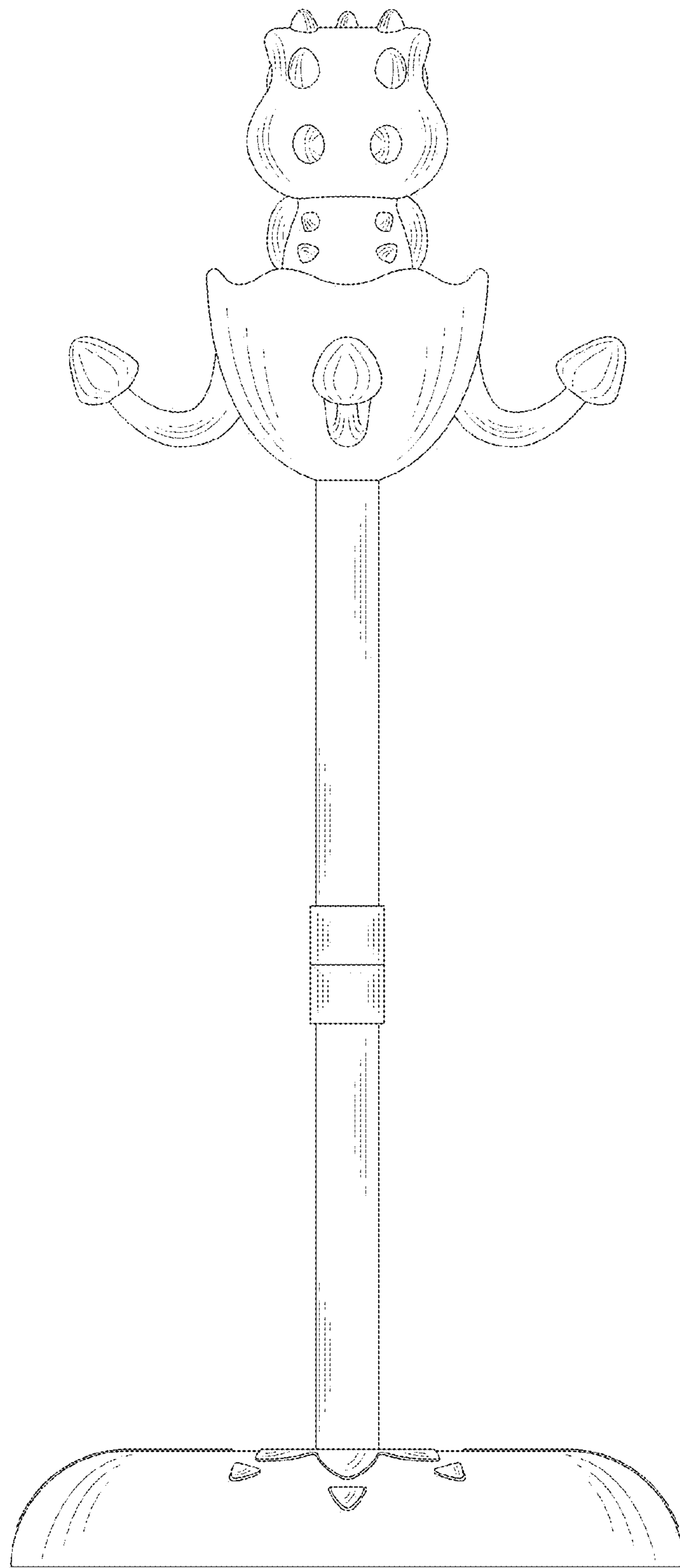


FIG. 3

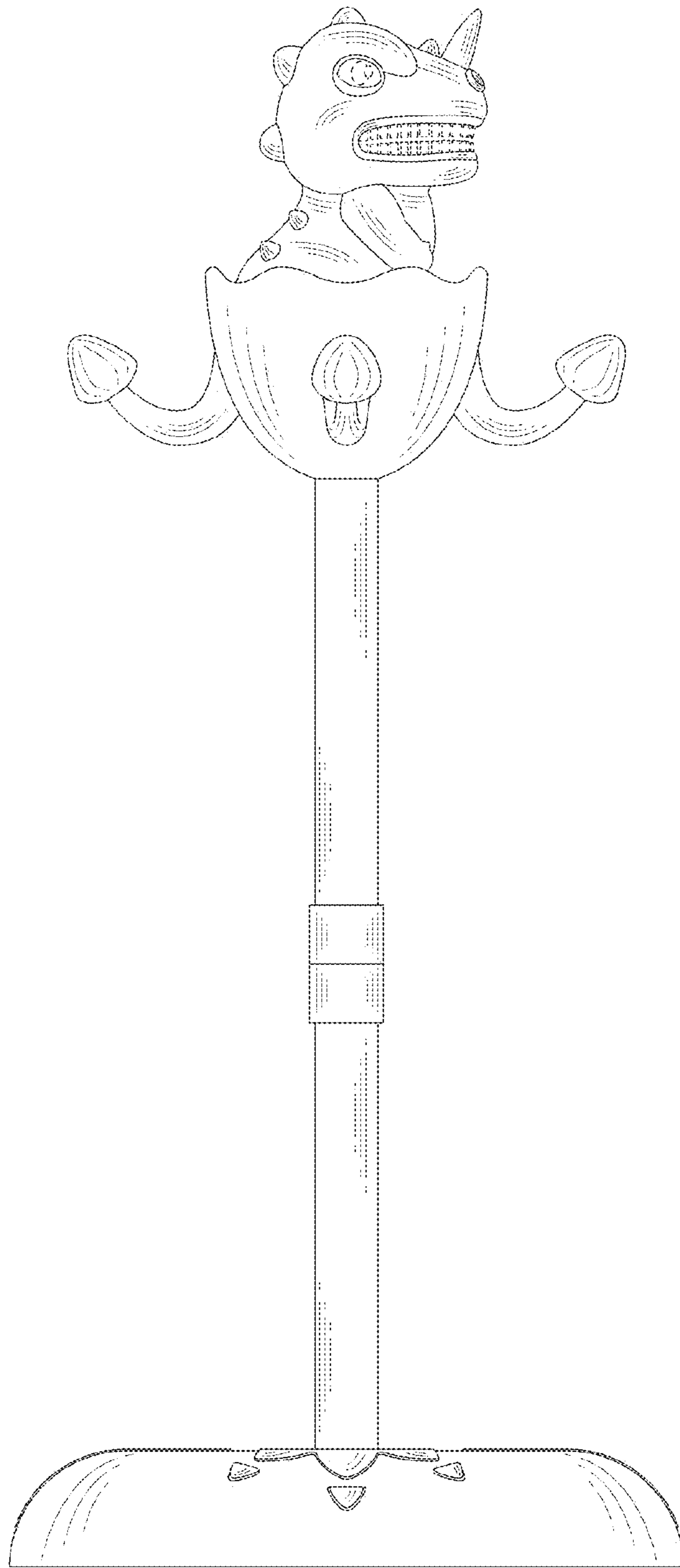


FIG.4

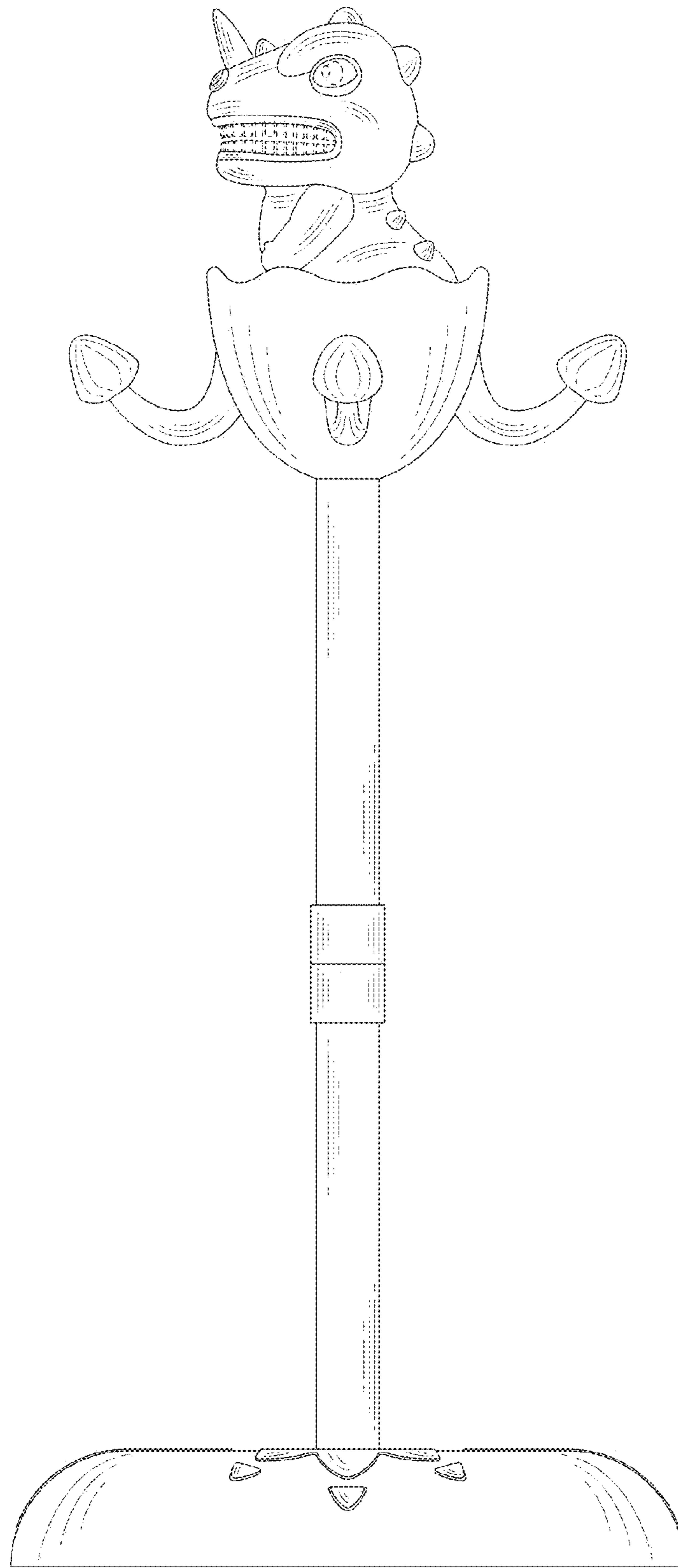


FIG.5

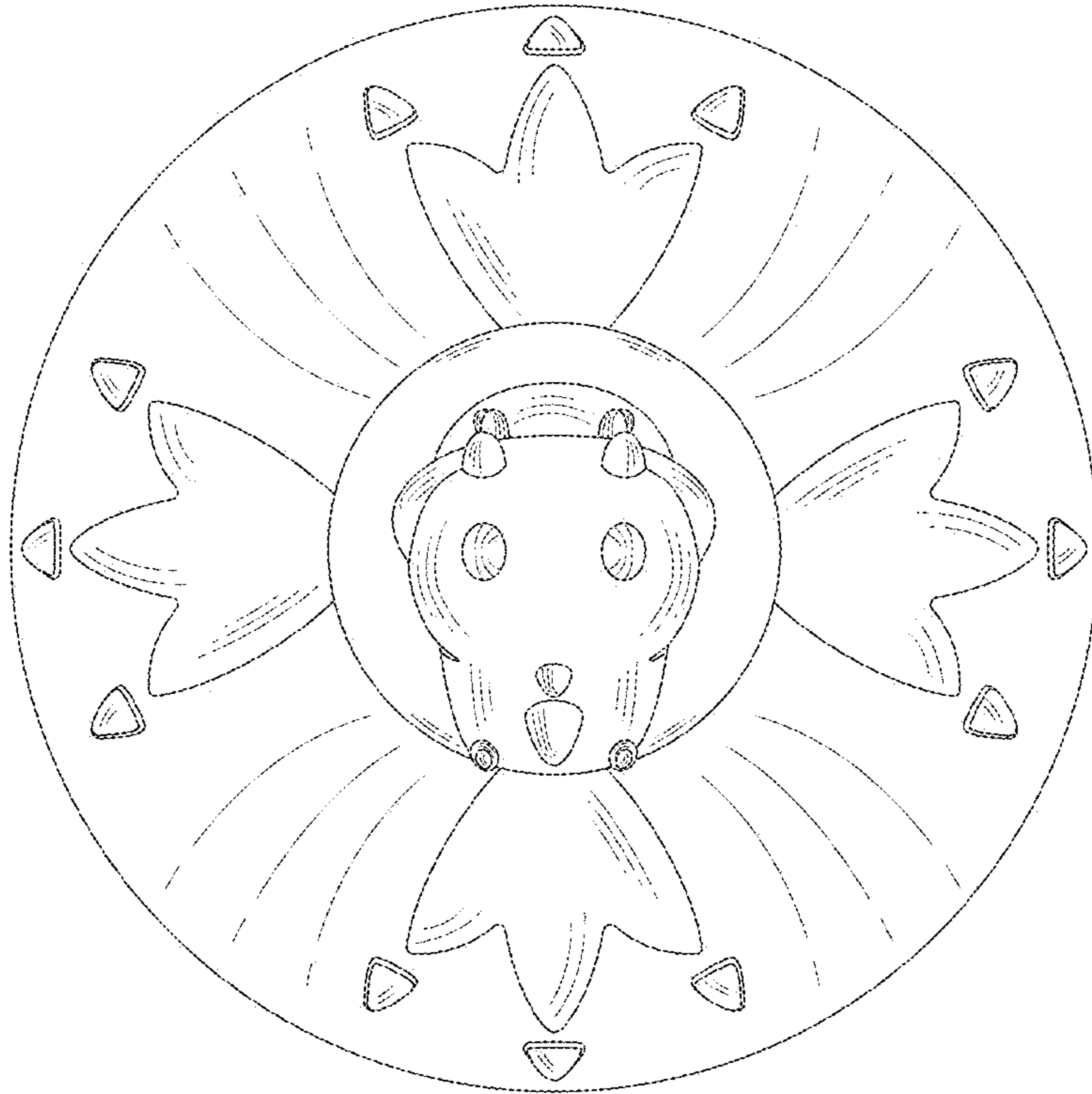


FIG.6

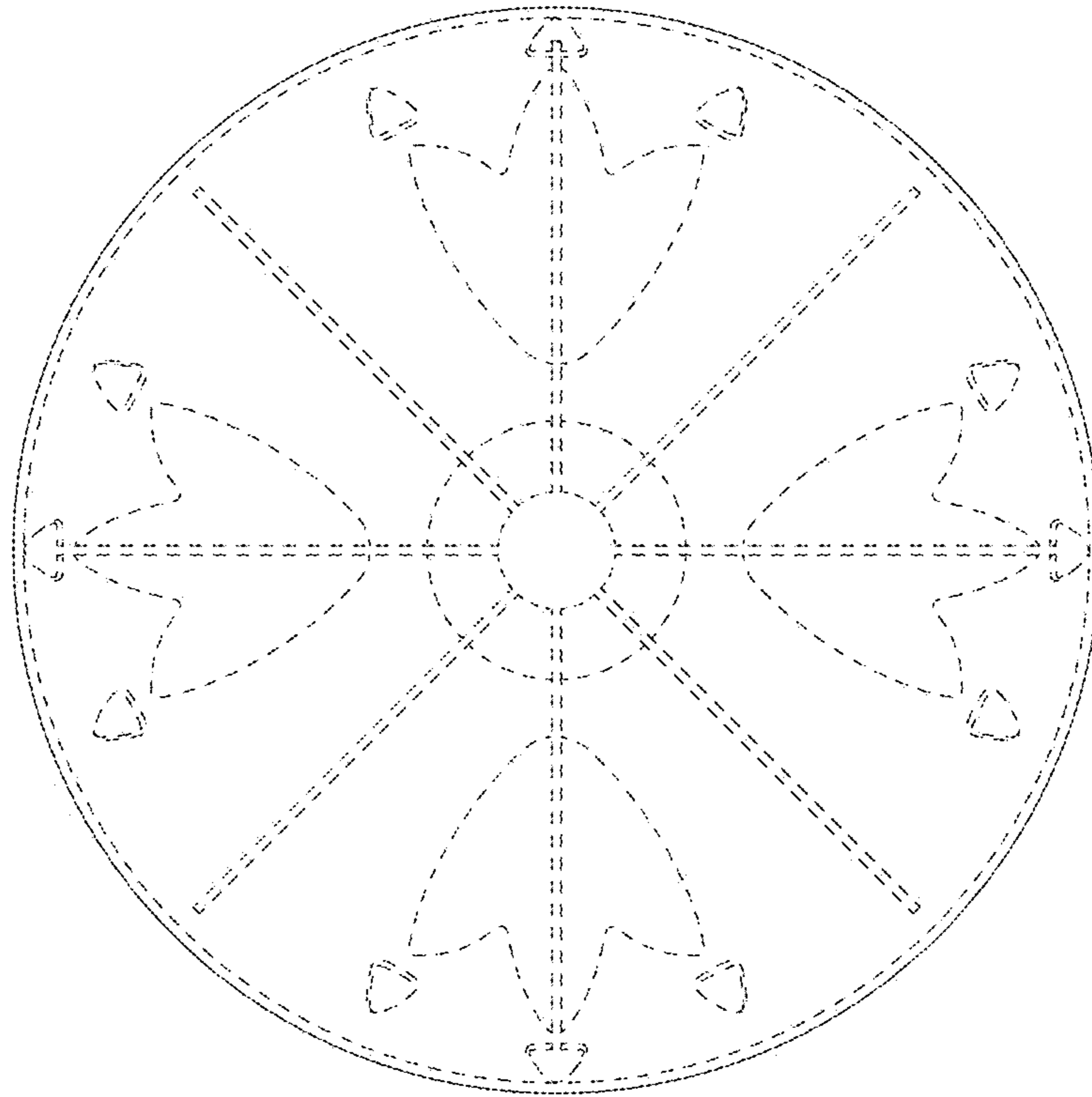


FIG.7

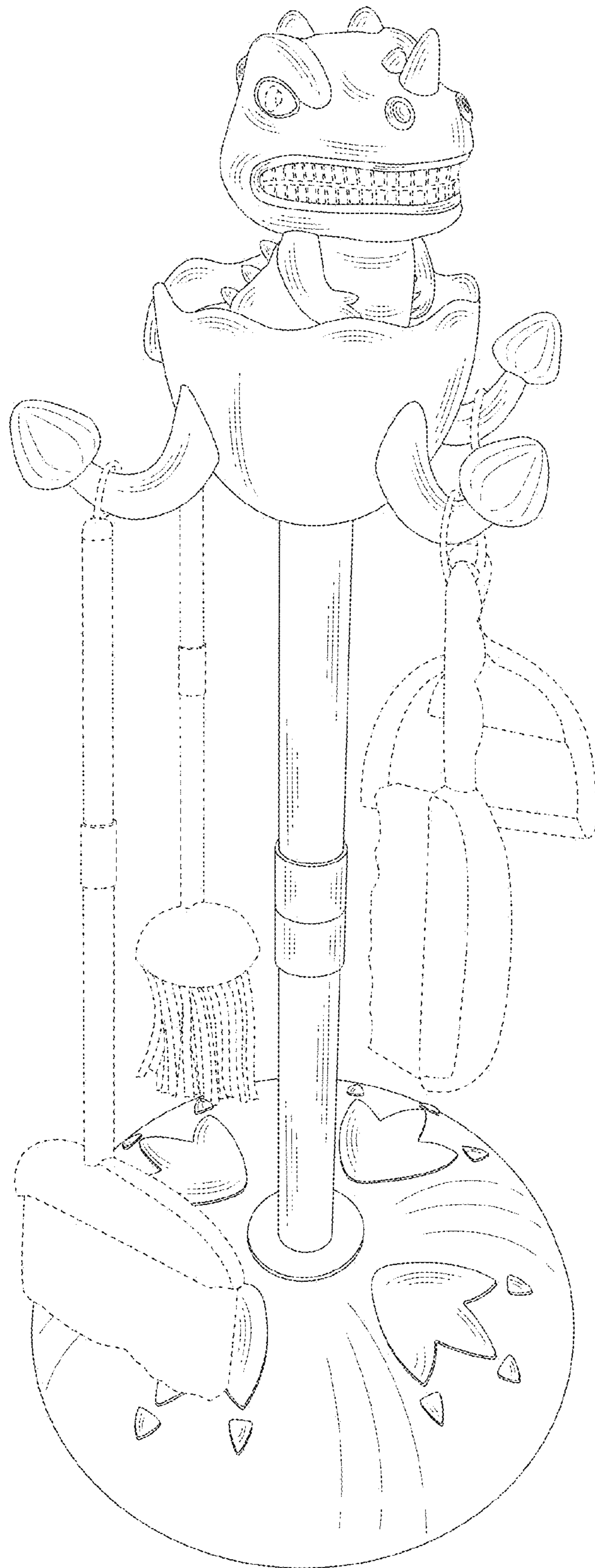


FIG.8