



US00D932213S

(12) **United States Design Patent**
Bang

(10) **Patent No.:** **US D932,213 S**

(45) **Date of Patent:** **** Oct. 5, 2021**

(54) **PILLOW COVER**

(71) Applicant: **Woo Young Bang**, Gwangju-si (KR)

(72) Inventor: **Woo Young Bang**, Gwangju-si (KR)

(**) Term: **15 Years**

(21) Appl. No.: **35/509,675**

(22) Filed: **Nov. 25, 2019**

(80) **Hague Agreement Data**

Int. Filing Date: **Nov. 25, 2019**

Int. Reg. No.: **DM/208754**

Int. Reg. Date: **Nov. 25, 2019**

Int. Reg. Pub. Date: **Jun. 26, 2020**

(30) **Foreign Application Priority Data**

May 24, 2019 (KR) 30-2019-0024713

(51) **LOC (13) Cl.** **06-13**

(52) **U.S. Cl.**
USPC **D6/601**

(58) **Field of Classification Search**

USPC D6/595-603, 610, 611

CPC A47G 9/00; A47G 9/02; A47G 9/0207;
A47G 9/0223; A47G 9/023; A47G
9/0253; A47G 9/0261; A47G 2009/0276

See application file for complete search history.

(56) **References Cited**

U.S. PATENT DOCUMENTS

- 2,060,092 A * 11/1936 Lueas A41B 13/06
5/413 R
- 2,355,138 A * 8/1944 Bell A41B 13/06
2/114
- 2,374,712 A * 5/1945 Steigerwald A47G 9/083
128/872
- 2,497,186 A * 2/1950 Pedersen A47C 21/022
5/498

- 2,535,936 A * 12/1950 Langley A41B 13/06
128/873
- 5,768,722 A * 6/1998 Olson A47C 19/20
135/119
- D589,735 S * 4/2009 Kaiser A41B 13/06
D6/602
- D832,616 S * 11/2018 Soto-Camacho A45F 4/08
D6/601
- D861,376 S * 10/2019 Malouf A41B 13/06
D6/603
- D905,474 S * 12/2020 Tavis A47C 19/20
D6/603
- D919,332 S * 5/2021 Witbeck A41B 13/06
D6/603
- 2018/0213952 A1* 8/2018 Penn A45F 4/08

* cited by examiner

Primary Examiner — Mary Ann Calabrese

(74) *Attorney, Agent, or Firm* — Novick, Kim & Lee,
PLLC; Sang Ho Lee; Hyun Woo Shin

(57) **CLAIM**

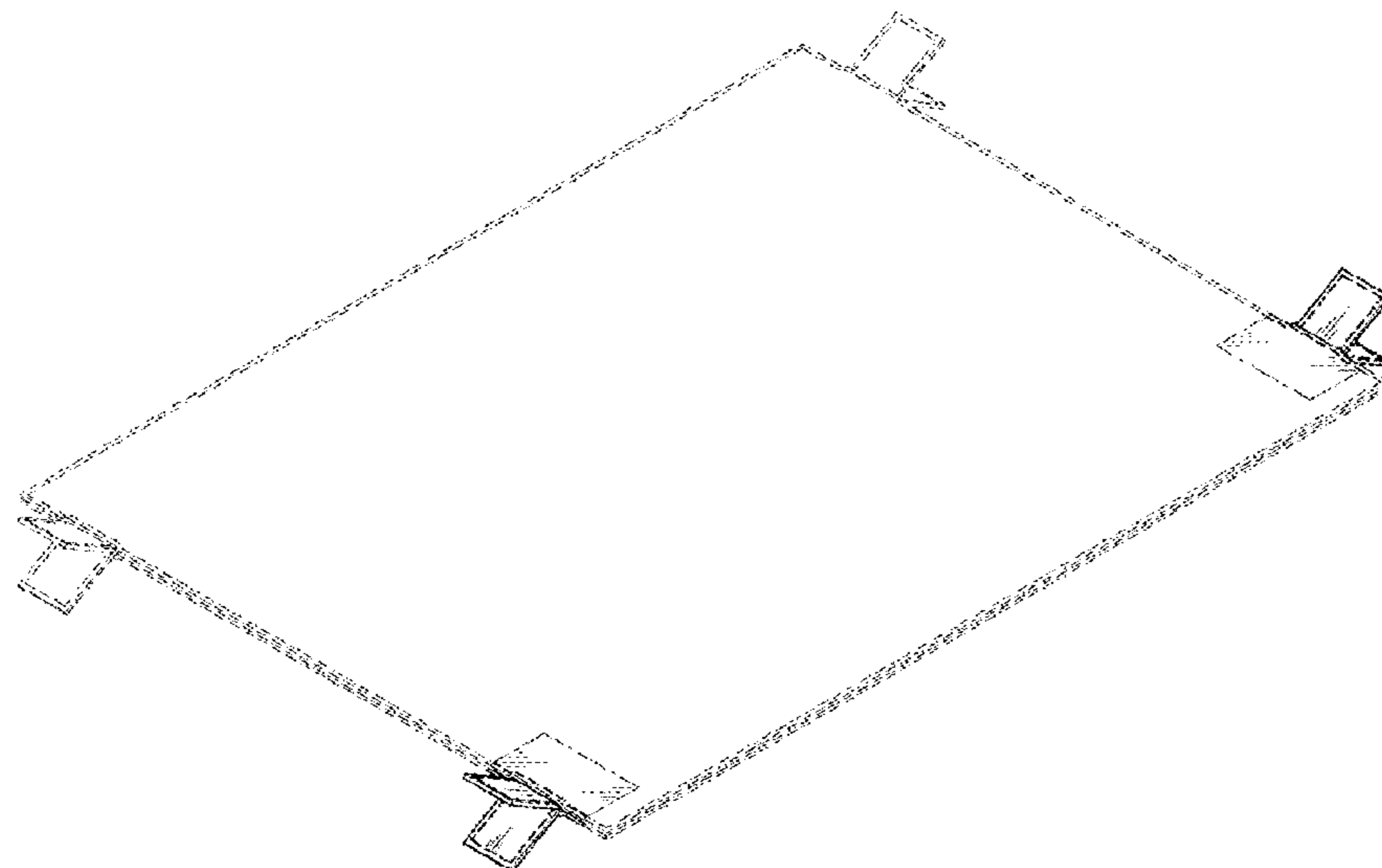
The ornamental design for a pillow cover, as shown and described.

DESCRIPTION

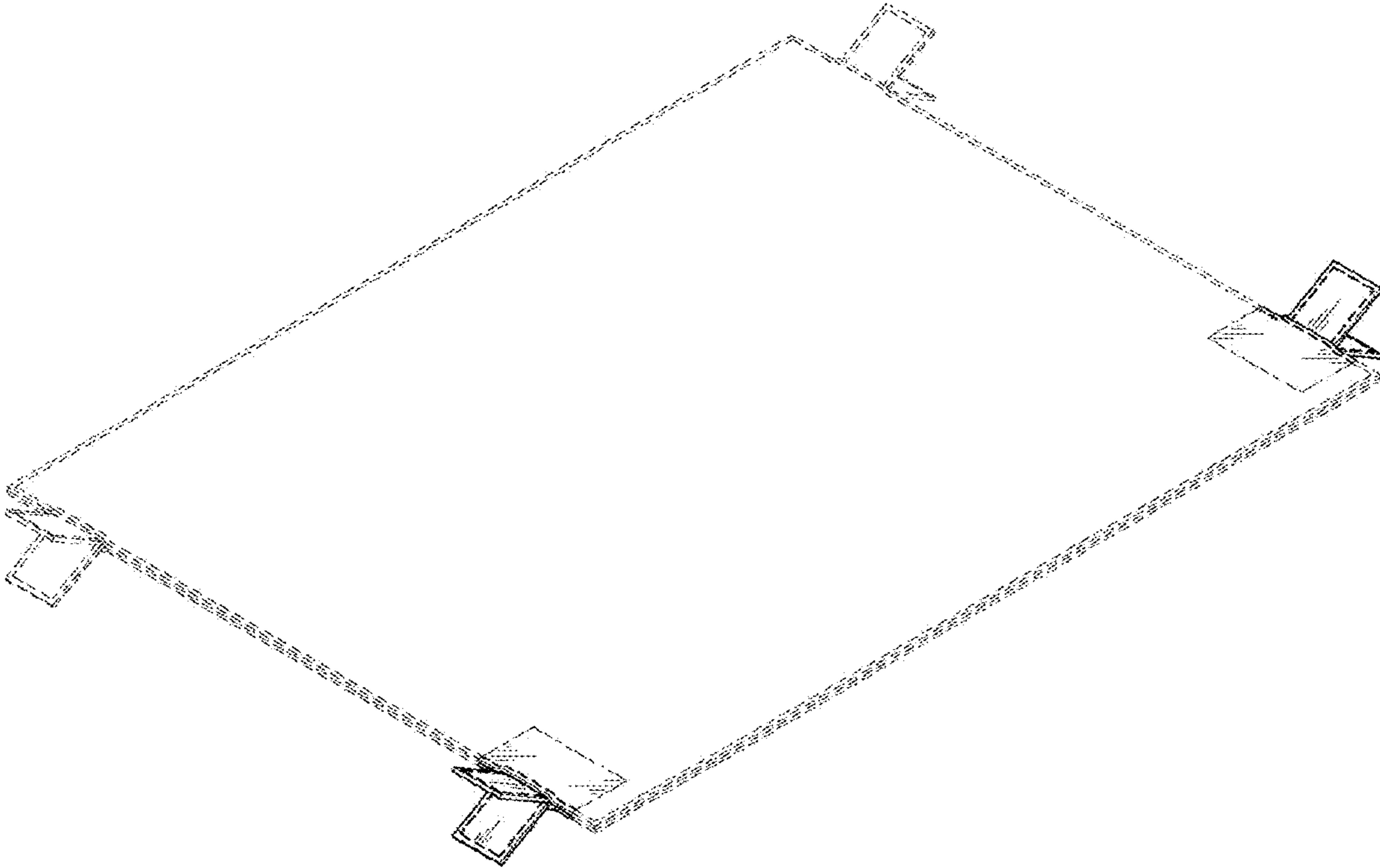
- 1. Pillow cover
- 1.1 : Perspective
- 1.2 : Front
- 1.3 : Back
- 1.4 : Left
- 1.5 : Right
- 1.6 : Top
- 1.7 : Bottom

The broken line portions are shown to illustrate environment and seam and form no part of the claimed design; the dashed-dotted broken lines shown in fig. 1.1 and figs. 1.6 to 1.7 depict a boundary between the claimed portion and the unclaimed portion and form no part of the claimed design.

1 Claim, 7 Drawing Sheets



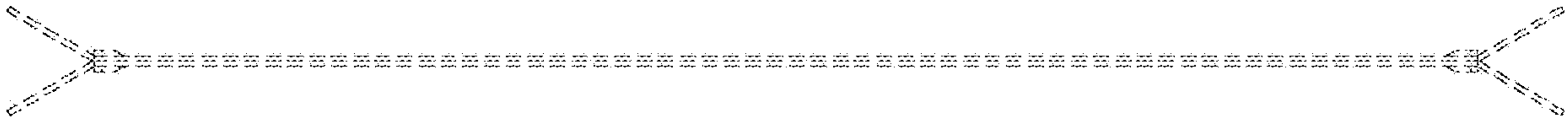
1.1



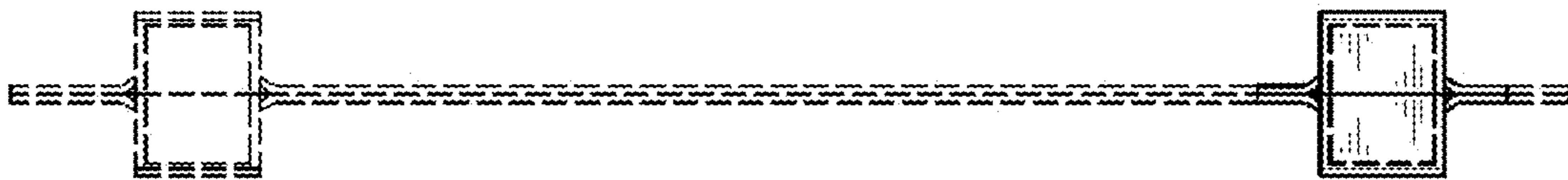
1.2



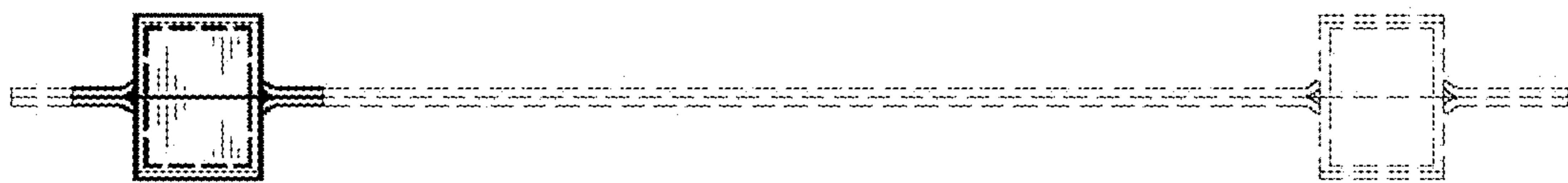
1.3



1.4



1.5



1.6



1.7

