



US00D932212S

(12) **United States Design Patent** (10) **Patent No.:** **US D932,212 S**
Jorgensen (45) **Date of Patent:** **** Oct. 5, 2021**

(54) **HEAD REST**
(71) Applicant: **Brian Mitchell Jorgensen**, Coeur D Alene, ID (US)
(72) Inventor: **Brian Mitchell Jorgensen**, Coeur D Alene, ID (US)
(**) Term: **15 Years**
(21) Appl. No.: **29/745,382**
(22) Filed: **Aug. 5, 2020**
(51) **LOC (13) Cl.** **06-09**
(52) **U.S. Cl.**
USPC **D6/601; D6/611**
(58) **Field of Classification Search**
USPC D6/582-583, 587-592, 595-609, 611, D6/617-622; D21/803-809; D24/183
CPC A47G 9/00; A47G 2009/001; A47G 2009/002; A47G 2009/003; A47G 9/10; A47G 9/1009; A47G 2009/1018; A47G 9/1045; A47G 9/1081; A47G 9/109
See application file for complete search history.

5,108,150 A * 4/1992 Stas A47C 7/383
297/397
D383,431 S * 9/1997 Fennell D12/400
D398,793 S * 9/1998 Maree D6/716.5
D402,832 S * 12/1998 Lance D6/715
5,896,823 A * 4/1999 Ishikawa B60N 2/80
112/475.06
D492,154 S * 6/2004 Martial D6/611
D542,073 S * 5/2007 Moshopoulos D6/611
D603,201 S * 11/2009 Corle D6/611
D710,132 S * 8/2014 McQuillan D6/611
D918,623 S * 5/2021 Sahoo D6/601
2003/0025367 A1* 2/2003 Boudinot B60N 2/879
297/217.3
2014/0317852 A1* 10/2014 Chen A47G 9/109
5/644

* cited by examiner

Primary Examiner — Jennifer L Rempfer

(57) **CLAIM**

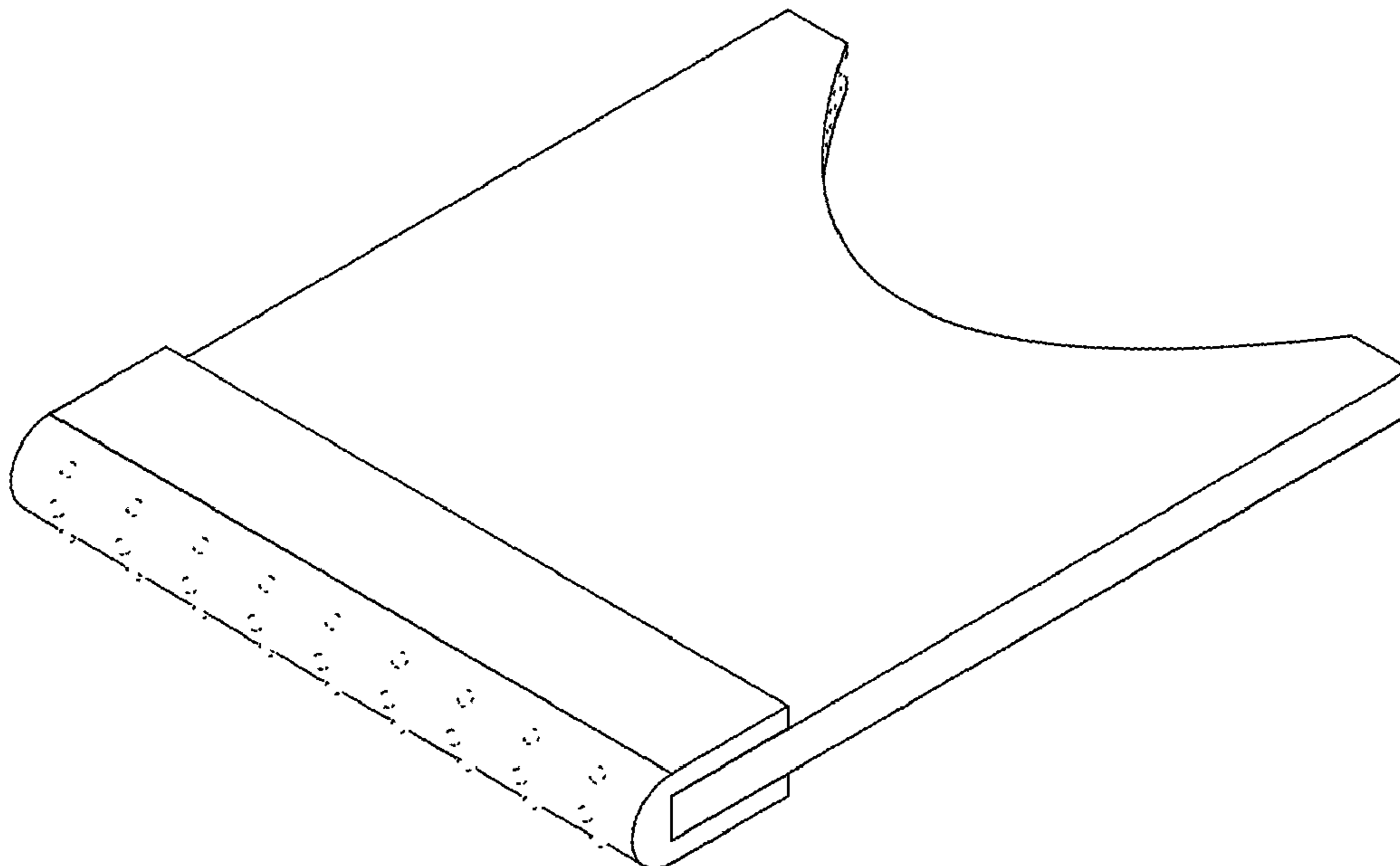
The ornamental design for a head rest, as shown and described.

DESCRIPTION

FIG. 1 is a top-left-front perspective view of the head rest showing my design;
FIG. 2 is a bottom-rear-right perspective view thereof;
FIG. 3 is a top plan view thereof;
FIG. 4 is a bottom plan view thereof;
FIG. 5 is a left elevational view thereof;
FIG. 6 is a right elevational view thereof;
FIG. 7 is a front elevational view thereof; and,
FIG. 8 is a rear elevational view thereof.
The broken line showing the studs in FIGS. 1-7 and the broken line showing the slot in FIGS. 1, 2, and 8, are included for the purpose of showing environmental structure and form no part of the claimed design.

1 Claim, 8 Drawing Sheets

(56) **References Cited**
U.S. PATENT DOCUMENTS
3,346,934 A * 10/1967 Davidson B60N 2/882
29/91.1
3,680,915 A * 8/1972 Freedman B60N 2/818
297/410
4,003,599 A * 1/1977 Takamatsu A47C 7/386
297/220
4,427,233 A * 1/1984 Matumoto B60N 2/826
297/391
4,589,698 A * 5/1986 Suzuki B60N 2/824
297/410
D296,855 S * 7/1988 Belk D6/716.5
D320,711 S * 10/1991 Olsen D6/601



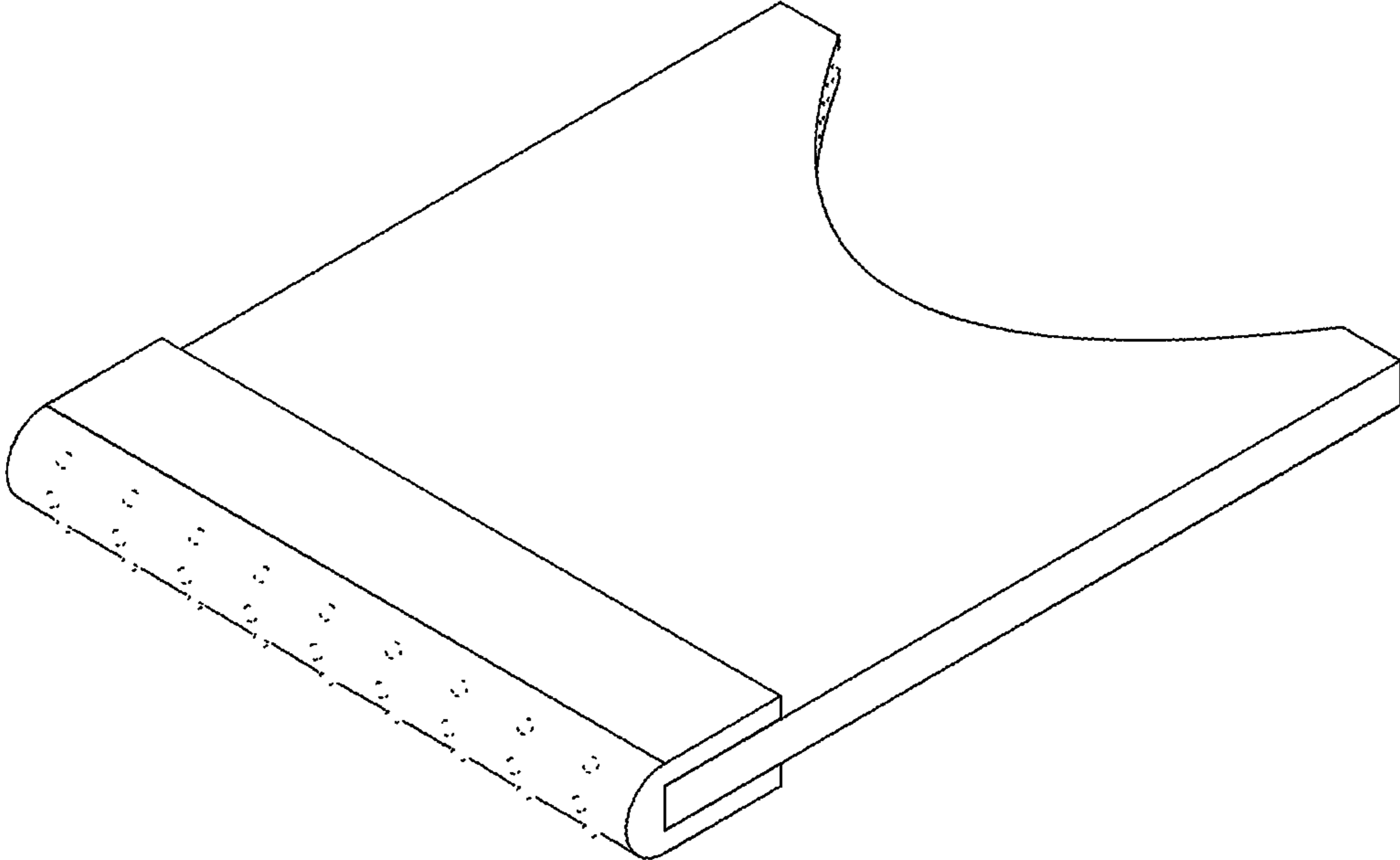


FIG. 1

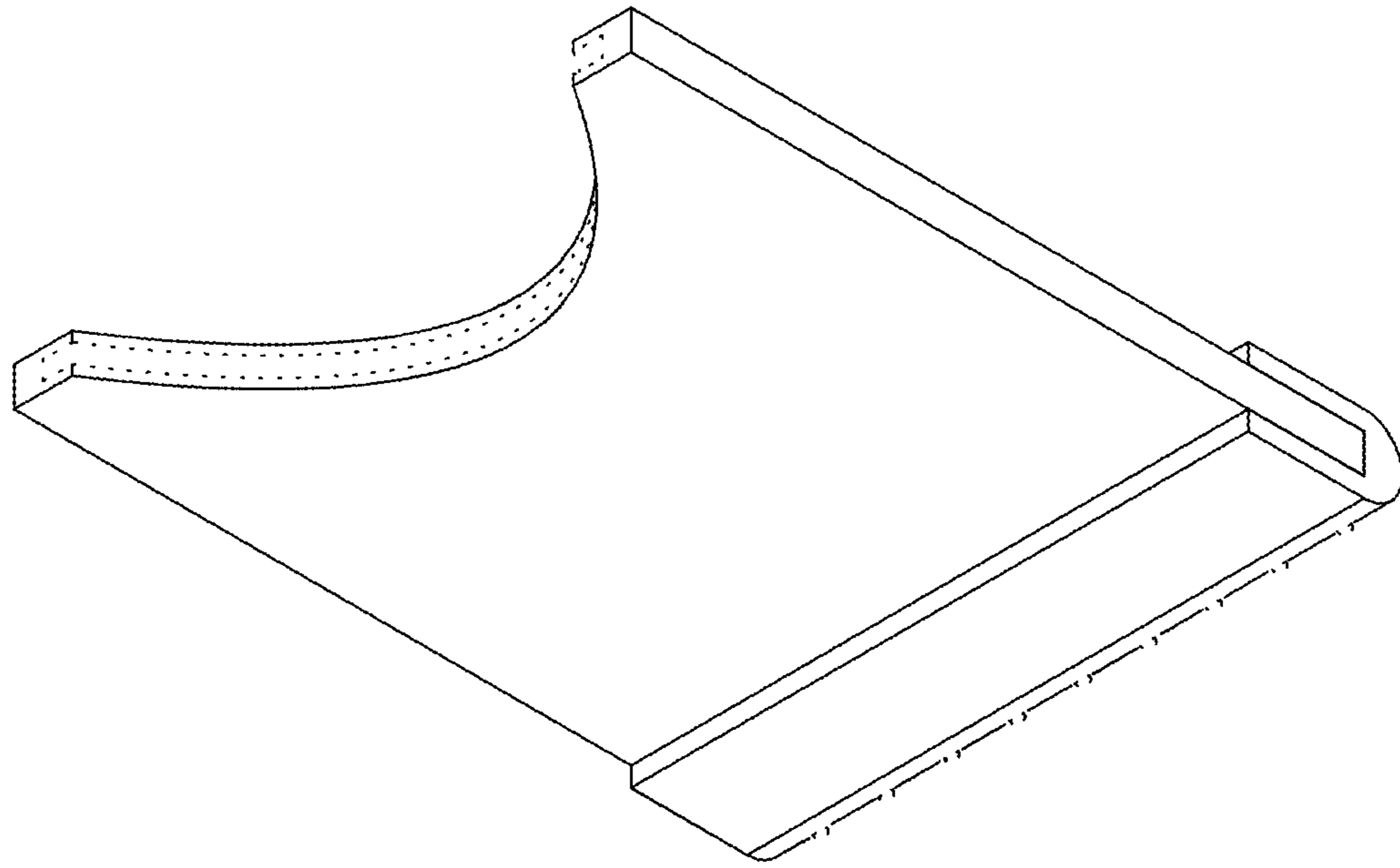


FIG. 2

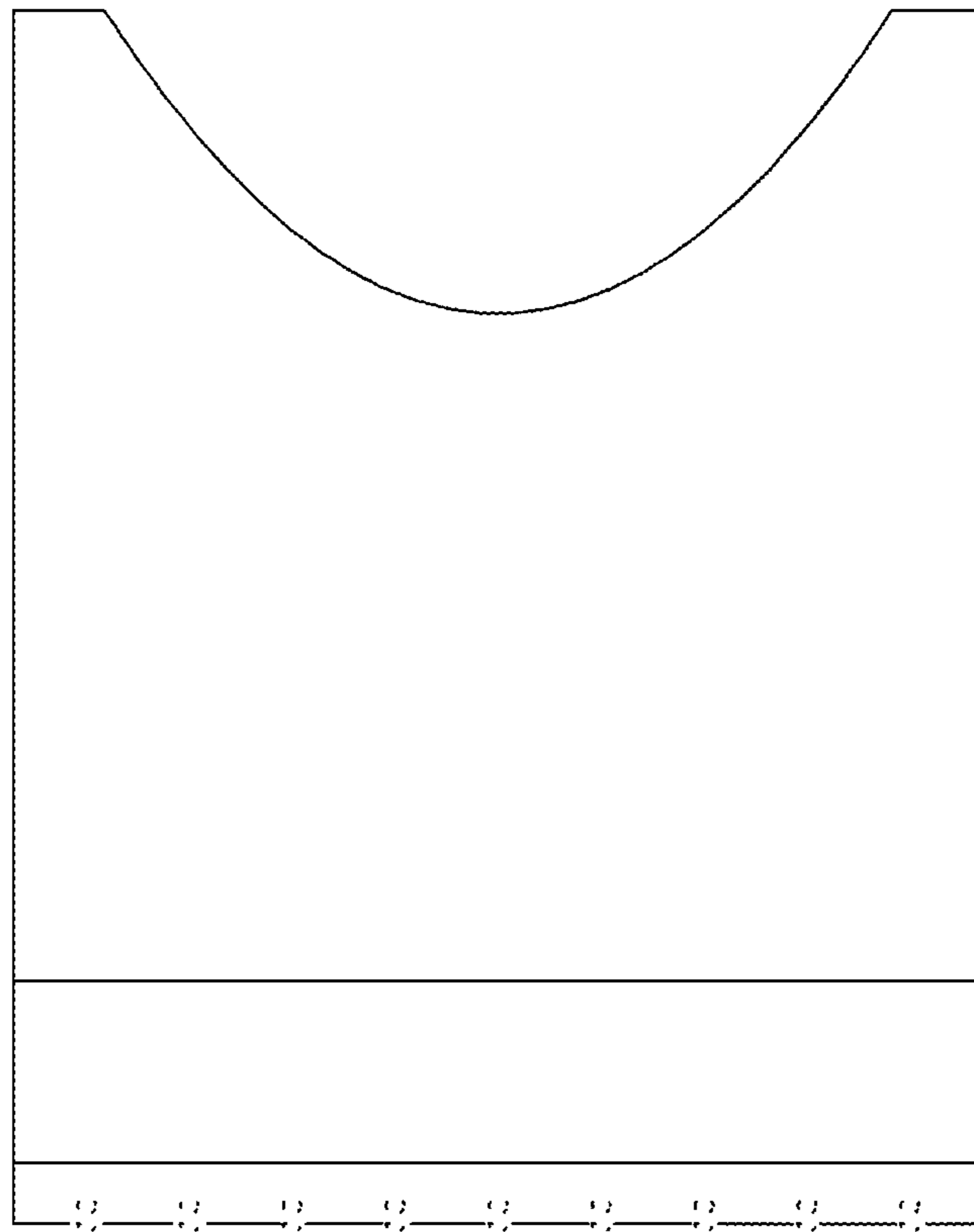


FIG. 3

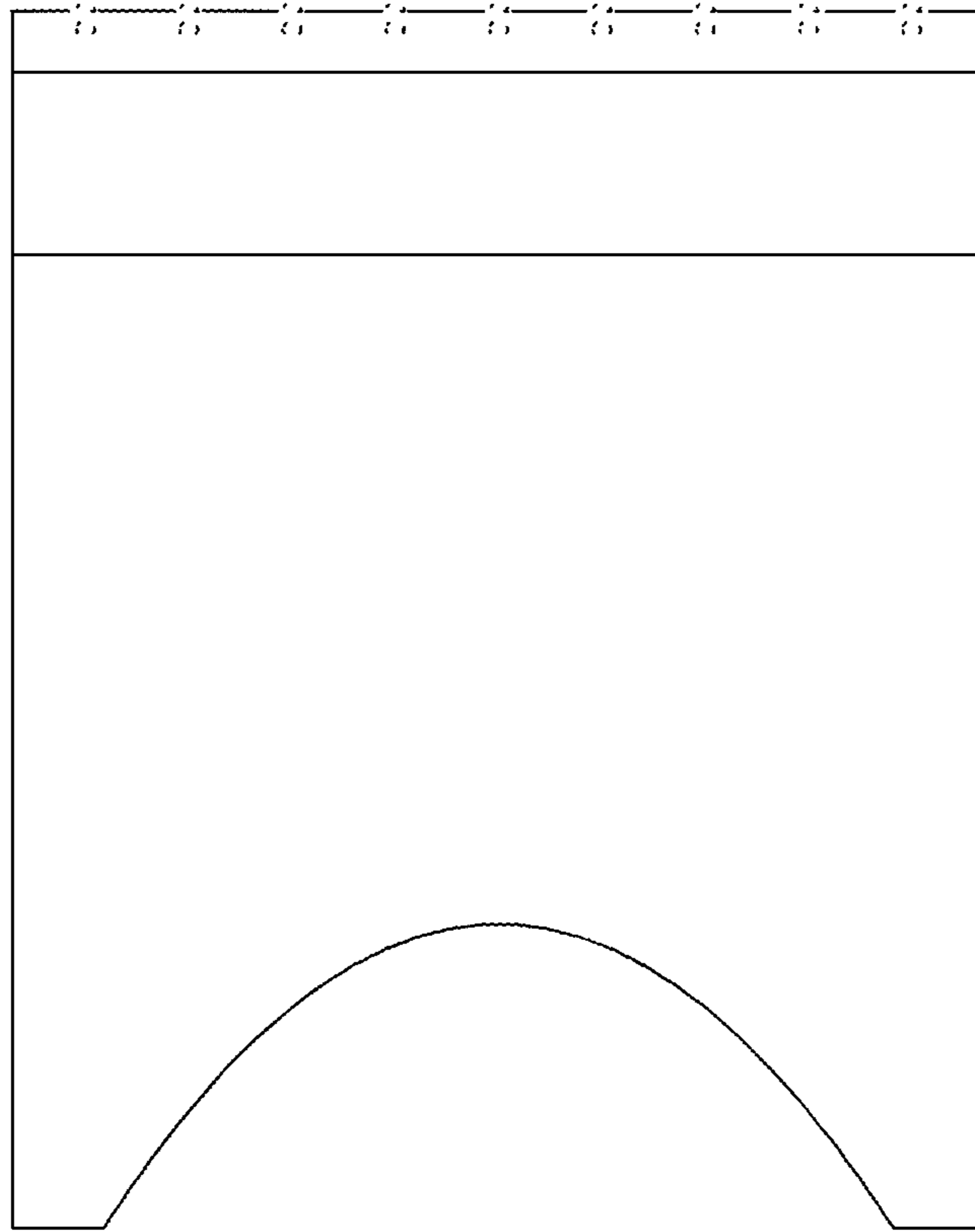


FIG. 4

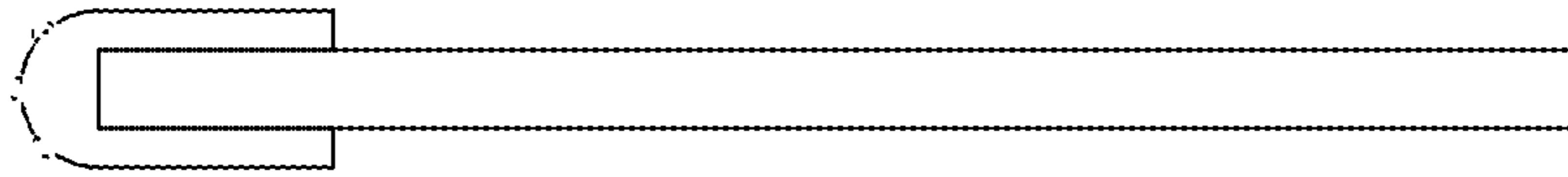


FIG. 5

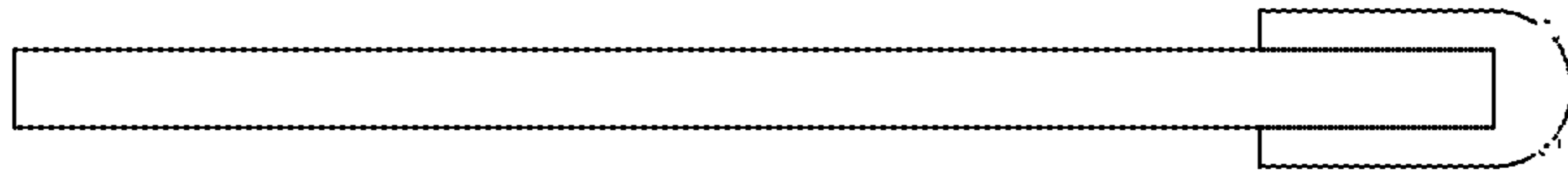


FIG. 6

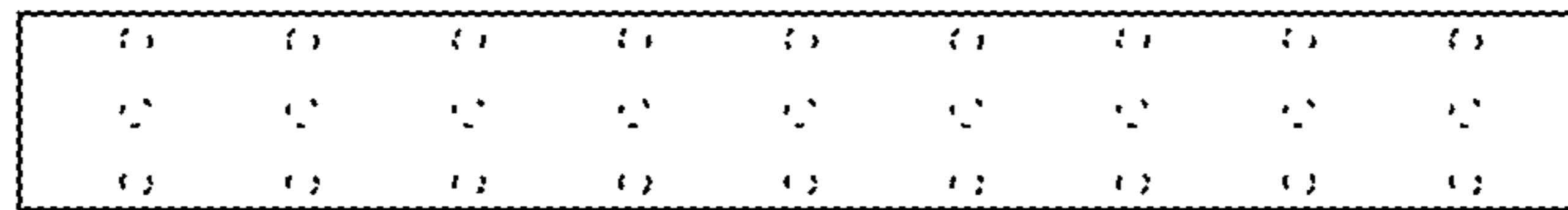


FIG. 7

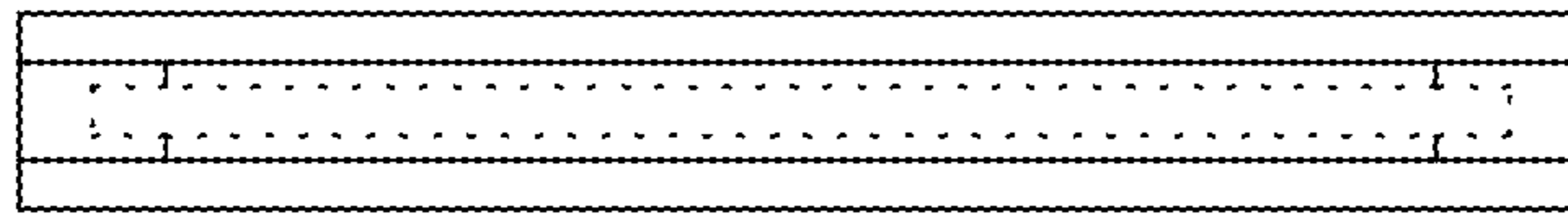


FIG. 8