

US00D932209S

(12) **United States Design Patent** (10) **Patent No.:** **US D932,209 S**  
**Moses et al.** (45) **Date of Patent:** **\*\* \*Oct. 5, 2021**

(54) **BATHROOM FIXTURE**

(71) Applicants: **Thomas Moses**, Greenville, SC (US);  
**Nicole Howland**, Greenville, SC (US)

(72) Inventors: **Thomas Moses**, Greenville, SC (US);  
**Nicole Howland**, Greenville, SC (US)

(\*) Notice: This patent is subject to a terminal disclaimer.

(\*\*) Term: **15 Years**

(21) Appl. No.: **29/684,125**

(22) Filed: **Mar. 19, 2019**

(51) **LOC (13) Cl.** ..... **23-02**

(52) **U.S. Cl.**  
USPC ..... **D6/523**

(58) **Field of Classification Search**  
 USPC ..... D6/515, 518, 519–524, 546–550, 300,  
 D6/466, 512, 553, 567; D8/300, 303,  
 D8/315–321; 16/110.1, 415, 216;  
 206/225, 233, 289, 391, 812, 824;  
 211/13.1, 45.1; 222/173, 180; 221/26,  
 221/33, 282–283; 248/309.1, 309.2, 905;  
 D9/337, 414, 416, 417, 418, 430, 432,  
 D9/422, 734  
 CPC ..... A47K 10/38; A47K 2010/3266; A47K  
 2010/3253; A47K 10/421; A47K 10/185;  
 A47K 10/42; A47K 10/485; A47K 1/09;  
 B65D 83/0805; A45F 5/04

See application file for complete search history.

(56) **References Cited**

U.S. PATENT DOCUMENTS

D583,174 S *	12/2008	Kuehneman	.....	D6/522
D656,348 S *	3/2012	Velazquez	.....	D6/523
D668,160 S *	10/2012	Mkhitaryan	.....	D9/734
D681,987 S *	5/2013	Cittadino	.....	D6/518
D860,674 S *	9/2019	Young	.....	D6/523
2019/0290078 A1 *	9/2019	Moses	.....	A47K 10/38

\* cited by examiner

*Primary Examiner* — Wan Laymon

*Assistant Examiner* — Mark Booker

(74) *Attorney, Agent, or Firm* — Southeast IP Group,  
LLC; Thomas L. Moses

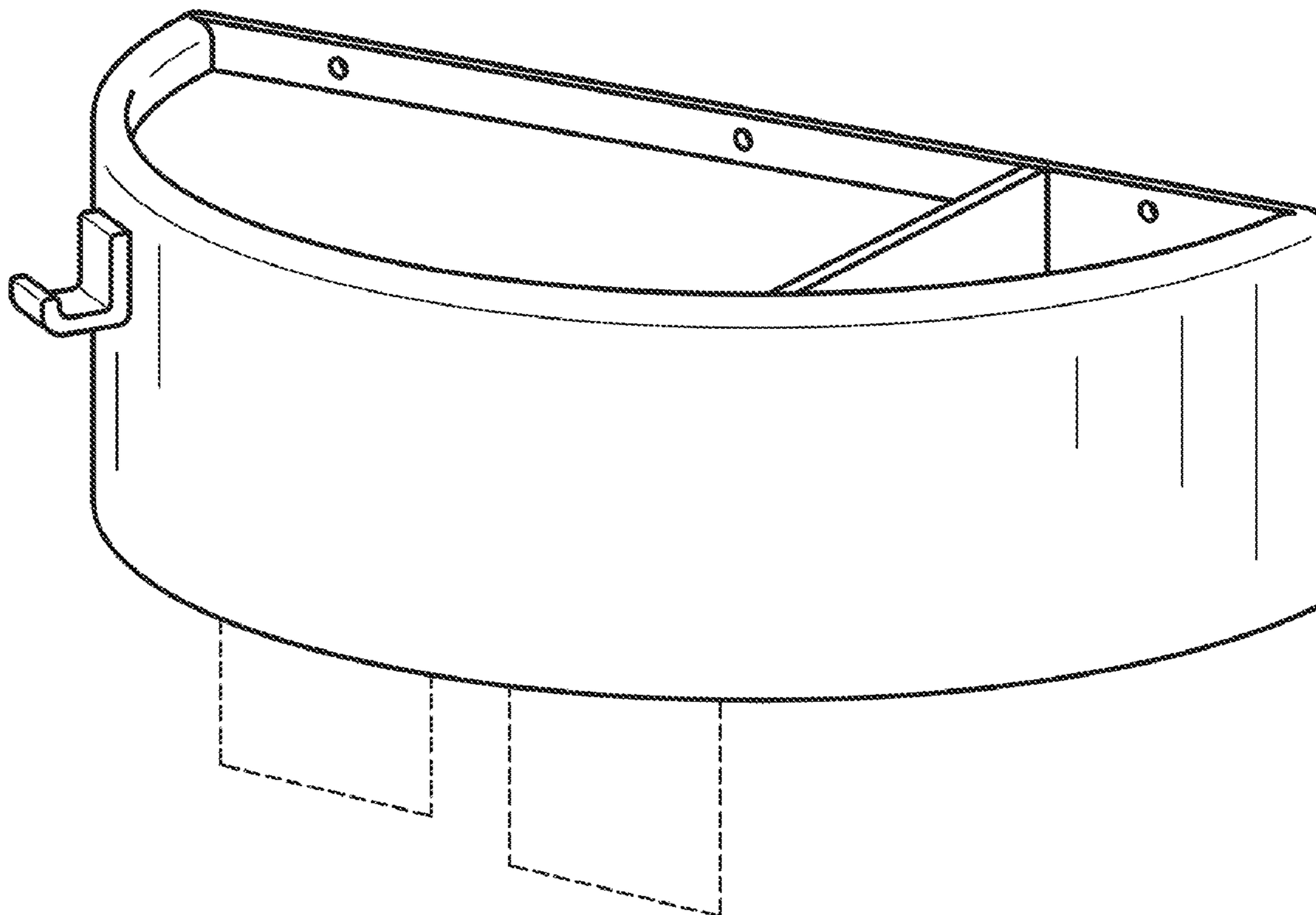
(57) **CLAIM**

The ornamental design for a bathroom fixture, as shown and described.

**DESCRIPTION**

FIG. 1 is a perspective view of my design for a bathroom fixture;  
 FIG. 2 is a top plan view thereof;  
 FIG. 3 is a front elevation view thereof;  
 FIG. 4 is a back elevation view thereof;  
 FIG. 5 is a bottom plan view thereof;  
 FIG. 6 is a left side elevation view thereof; and,  
 FIG. 7 is a right side elevation view thereof.  
 The broken lines shown in the figures represent portions of the bathroom fixture that form no part of the claimed design.

**1 Claim, 4 Drawing Sheets**



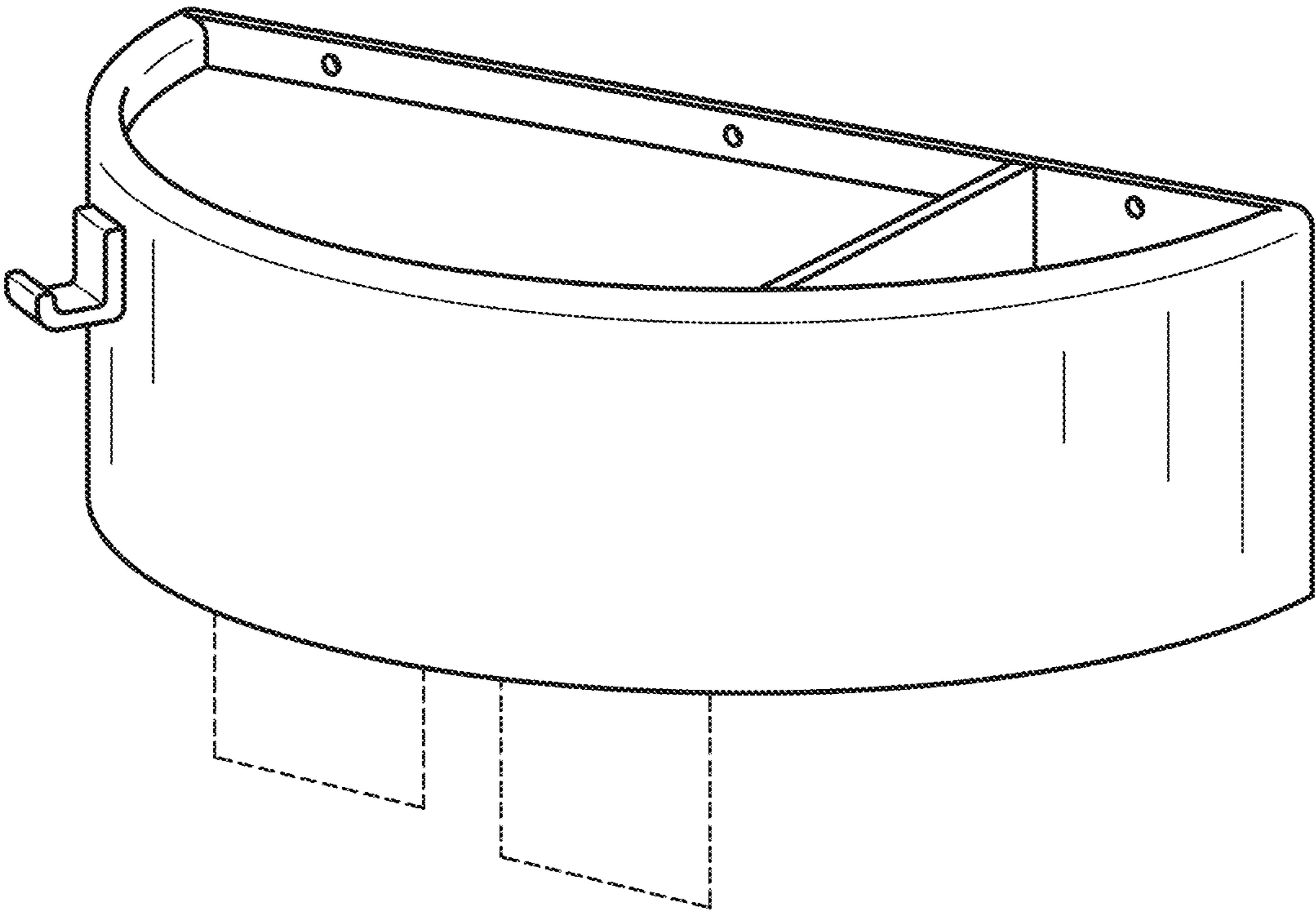


FIG. 1

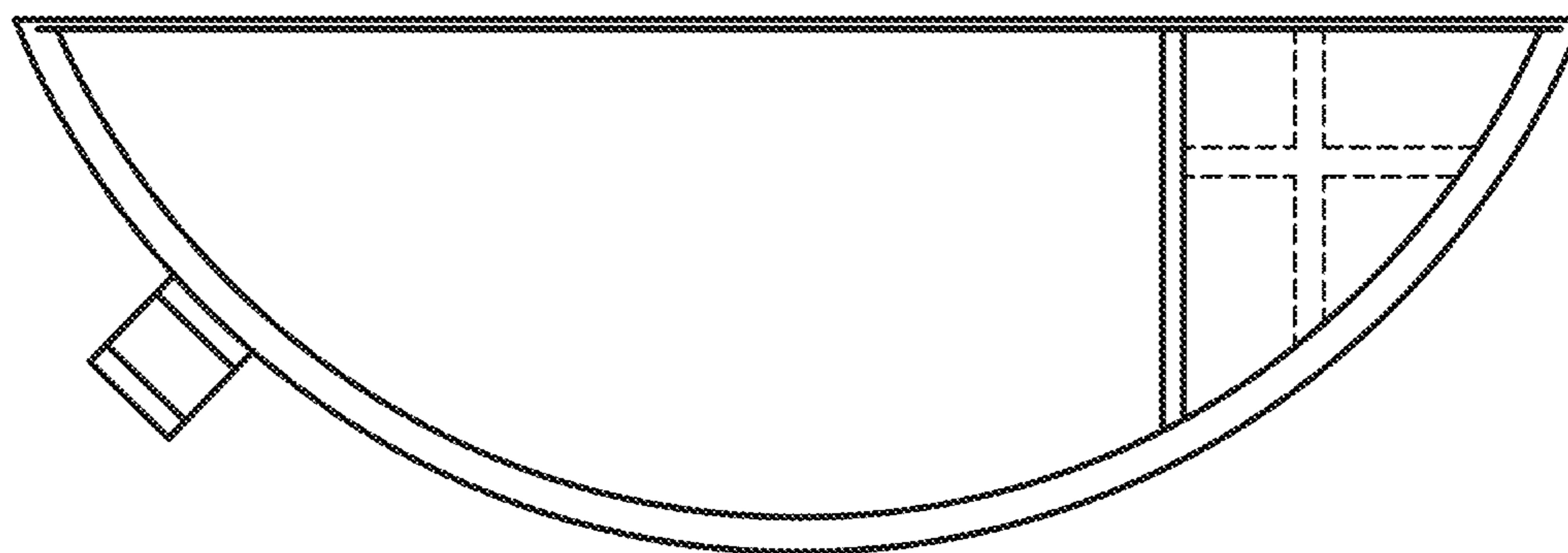


FIG. 2



FIG. 3

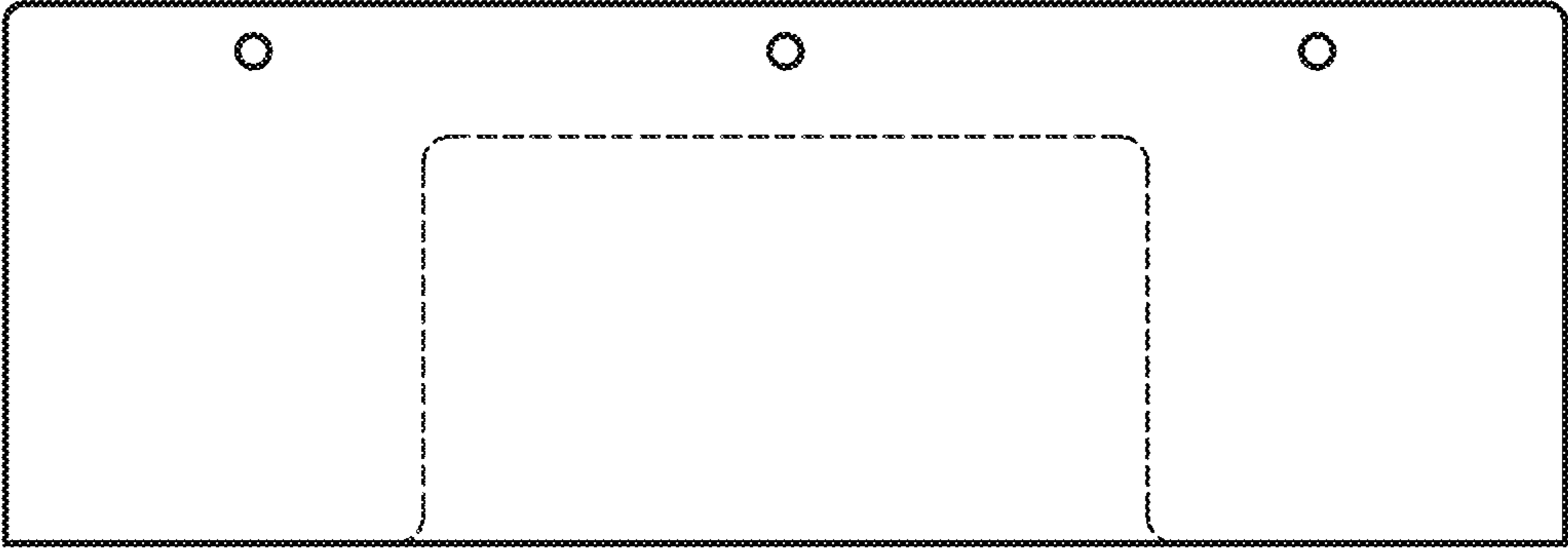


FIG. 4

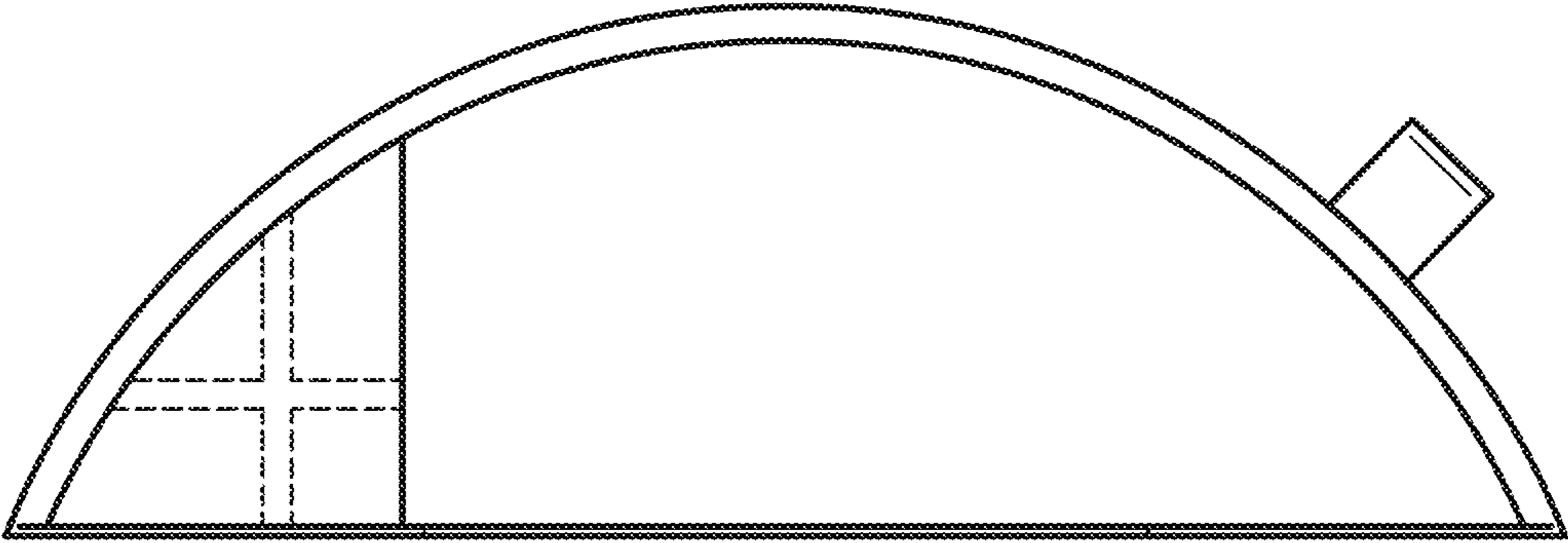


FIG. 5

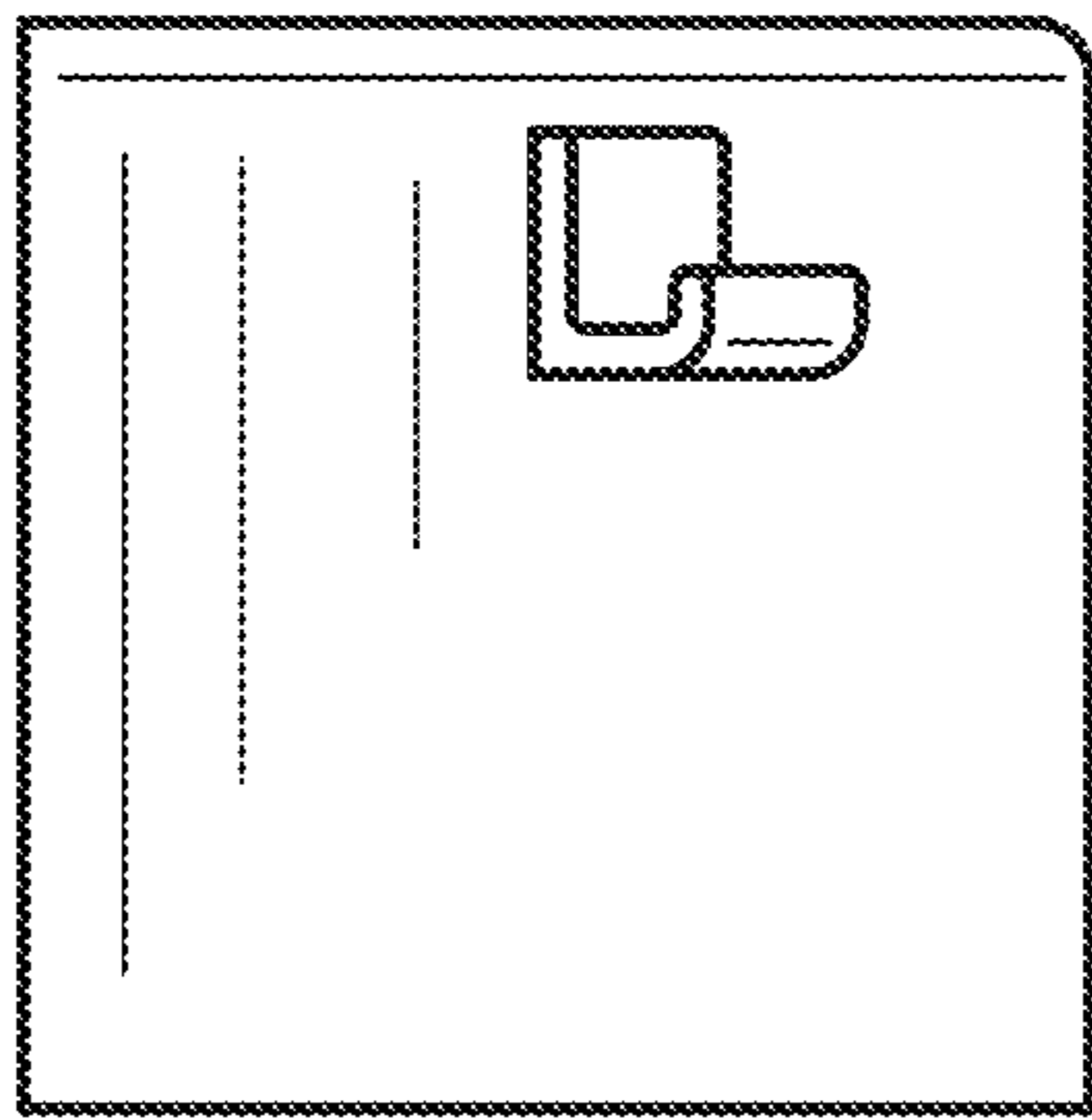


FIG. 6

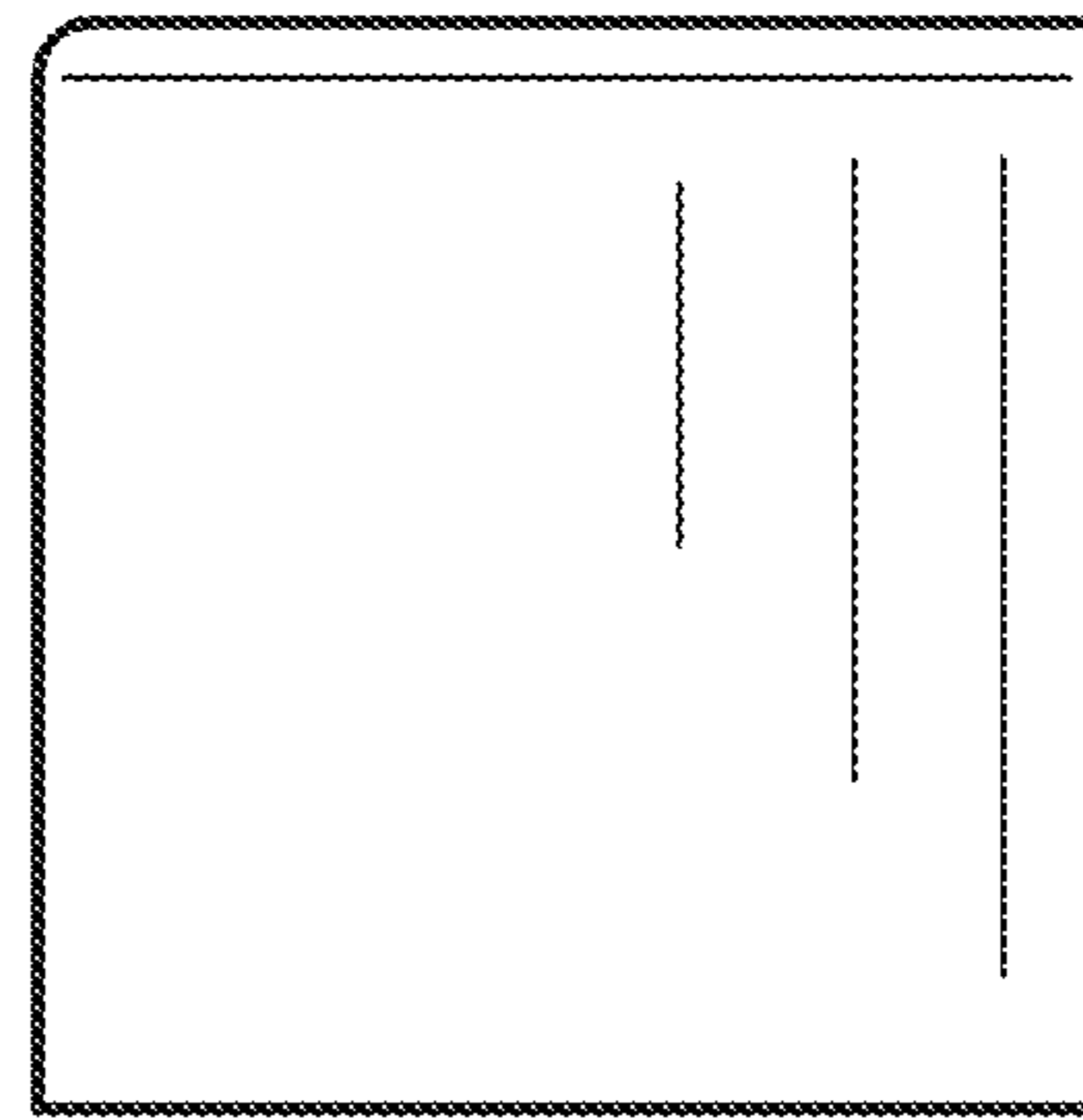


FIG. 7