



US00D932208S

(12) **United States Design Patent** (10) **Patent No.:** **US D932,208 S**
Chen (45) **Date of Patent:** **** Oct. 5, 2021**

(54) **TOWEL HOLDER**
(71) Applicant: **Zhenqiang Chen**, Fujian (CN)
(72) Inventor: **Zhenqiang Chen**, Fujian (CN)
(**) Term: **15 Years**
(21) Appl. No.: **29/780,605**
(22) Filed: **Apr. 26, 2021**
(51) **LOC (13) Cl.** **20-02**
(52) **U.S. Cl.**
USPC **D6/521**
(58) **Field of Classification Search**
USPC D6/518-522; 206/389, 391; 211/13.1,
211/45, 59.1, 89.01; 242/570, 590,
242/597.7; 248/309.1, 309.2
CPC A47K 10/04; A47K 10/02; A47K 10/10;
A47K 10/3836; A47K 2010/324; A47K
2010/389; B08B 1/006
See application file for complete search history.

(56) **References Cited**

U.S. PATENT DOCUMENTS

D390,054 S * 2/1998 Goodman D6/521
D474,361 S * 5/2003 Ancona D6/521

D474,634 S * 5/2003 Ancona D6/521
D628,836 S * 12/2010 Guindi D6/521
D653,889 S * 2/2012 Guindi D6/521
D758,755 S * 6/2016 Goodman D6/521
D771,407 S 11/2016 Georgeson
D810,462 S 2/2018 Khanna
D878,076 S * 3/2020 Xayoiphonh D6/521
D885,784 S * 6/2020 Dittrich D6/521
D885,785 S * 6/2020 Wilson D6/521
D885,786 S * 6/2020 Goodman D6/521

* cited by examiner

Primary Examiner — Wan Laymon
Assistant Examiner — Mark Booker
(74) *Attorney, Agent, or Firm* — ScienBiziP, P.C.

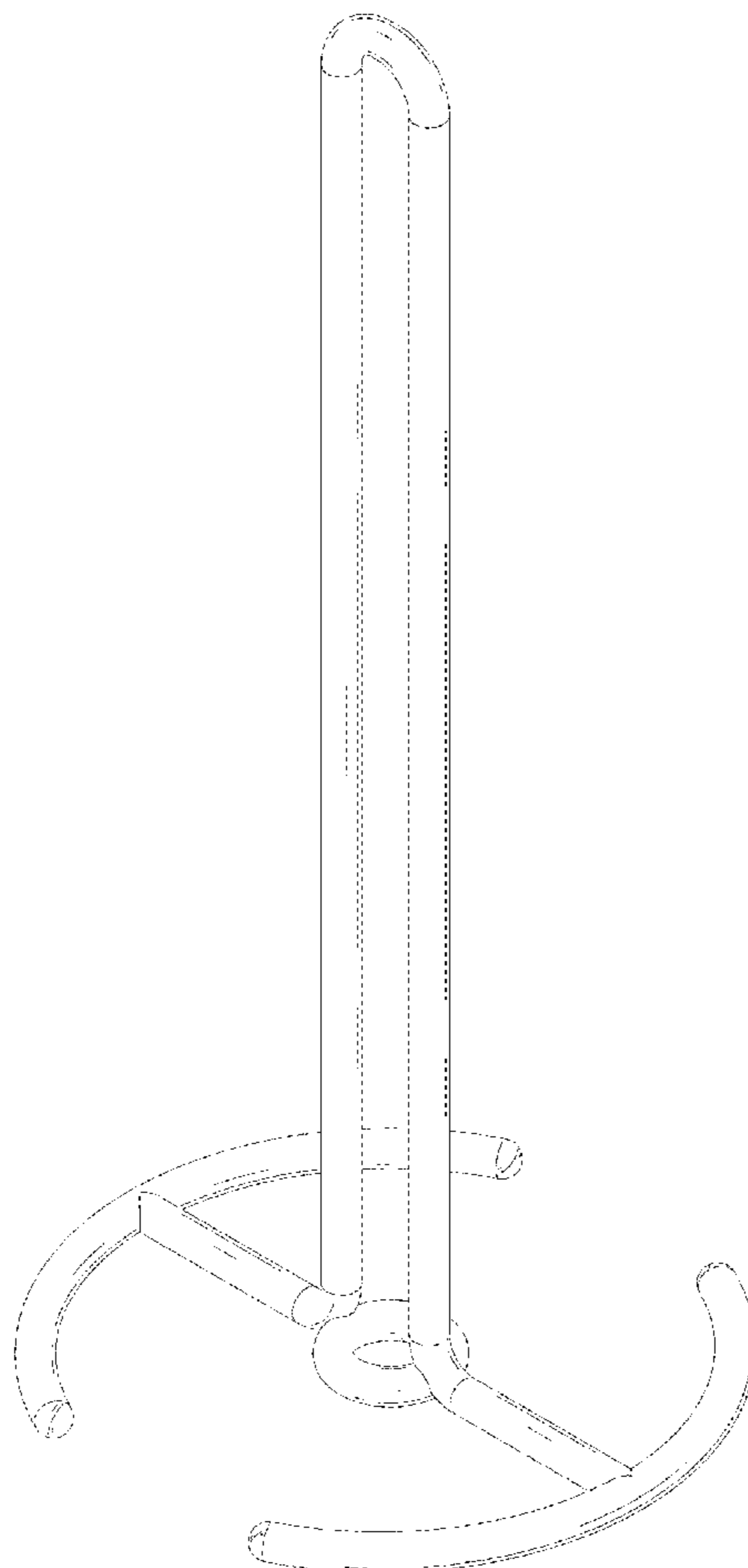
(57) **CLAIM**

The ornamental design for a towel holder, as shown and described.

DESCRIPTION

FIG. 1 is a front, right, and top perspective view of a towel holder, showing my design.
FIG. 2 is a front elevation view thereof.
FIG. 3 is a rear elevation view thereof.
FIG. 4 is a left side elevation view thereof.
FIG. 5 is a right side elevation view thereof.
FIG. 6 is a top plan view thereof; and,
FIG. 7 is a bottom plan view thereof.

1 Claim, 7 Drawing Sheets



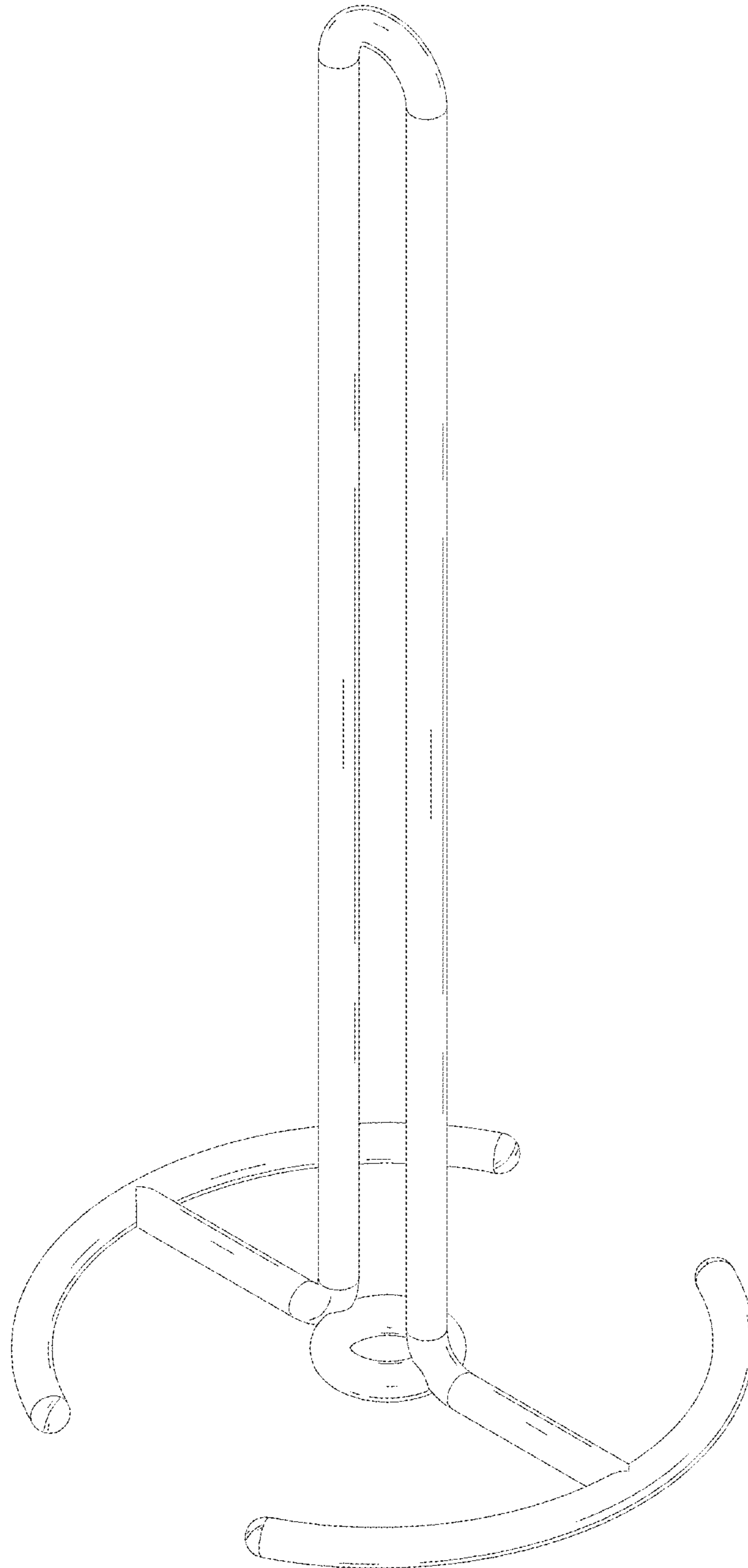


FIG.1

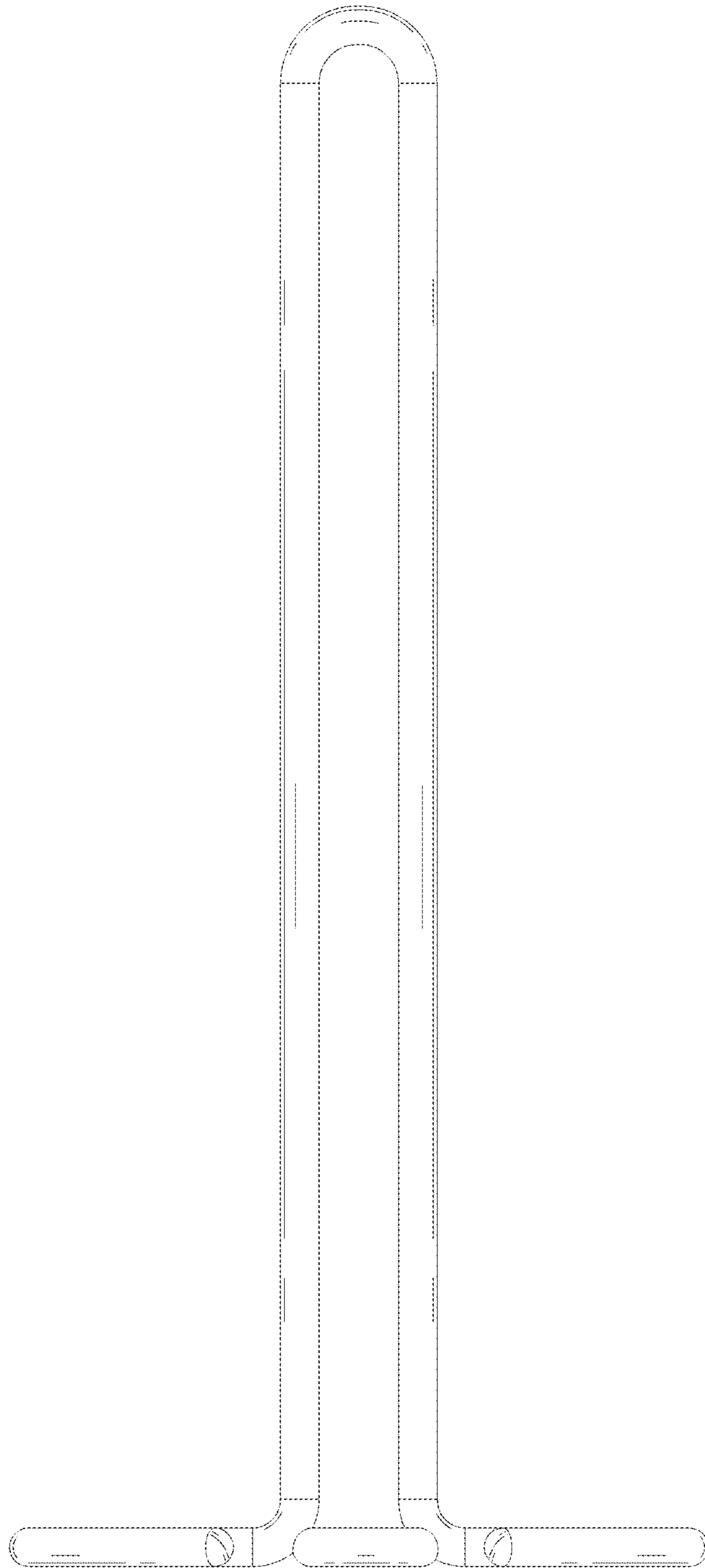


FIG.2

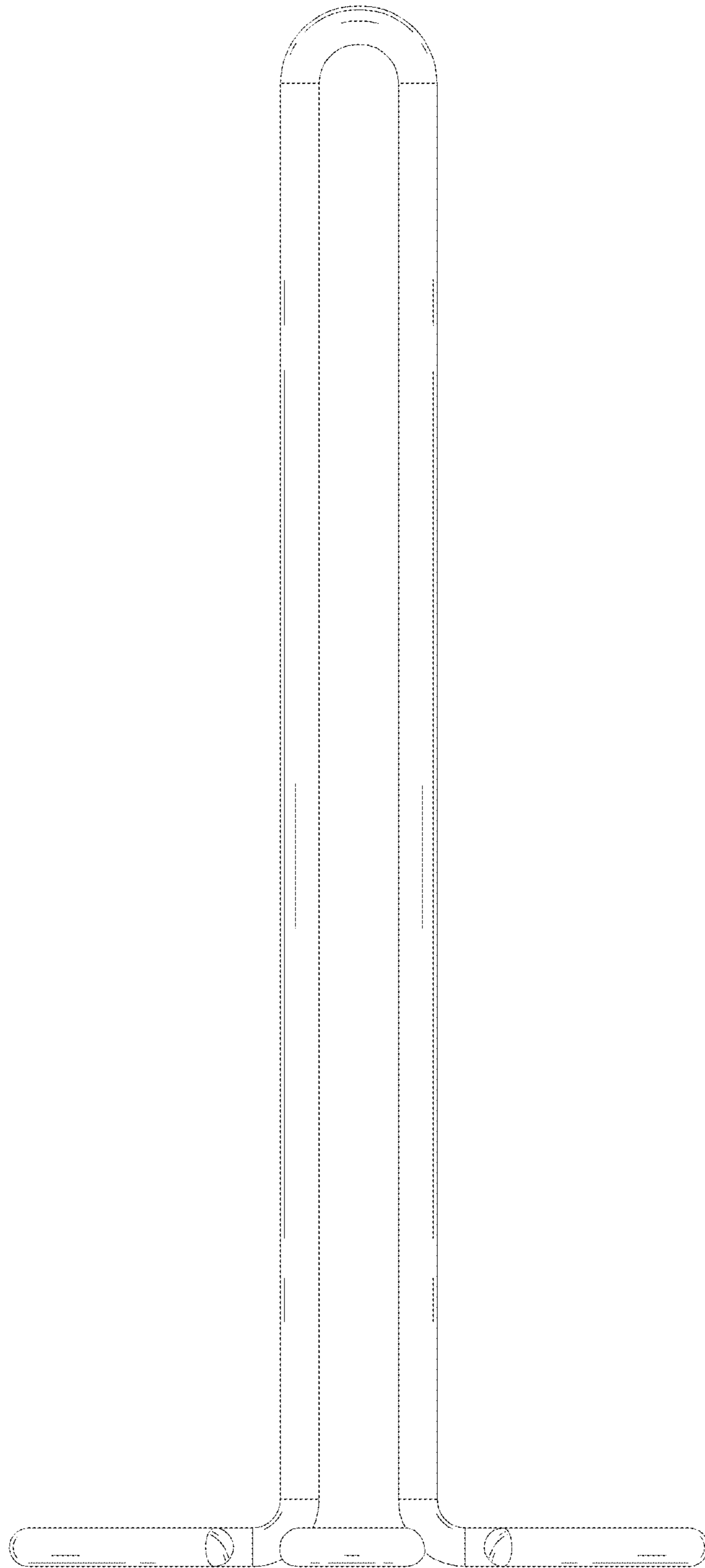


FIG.3

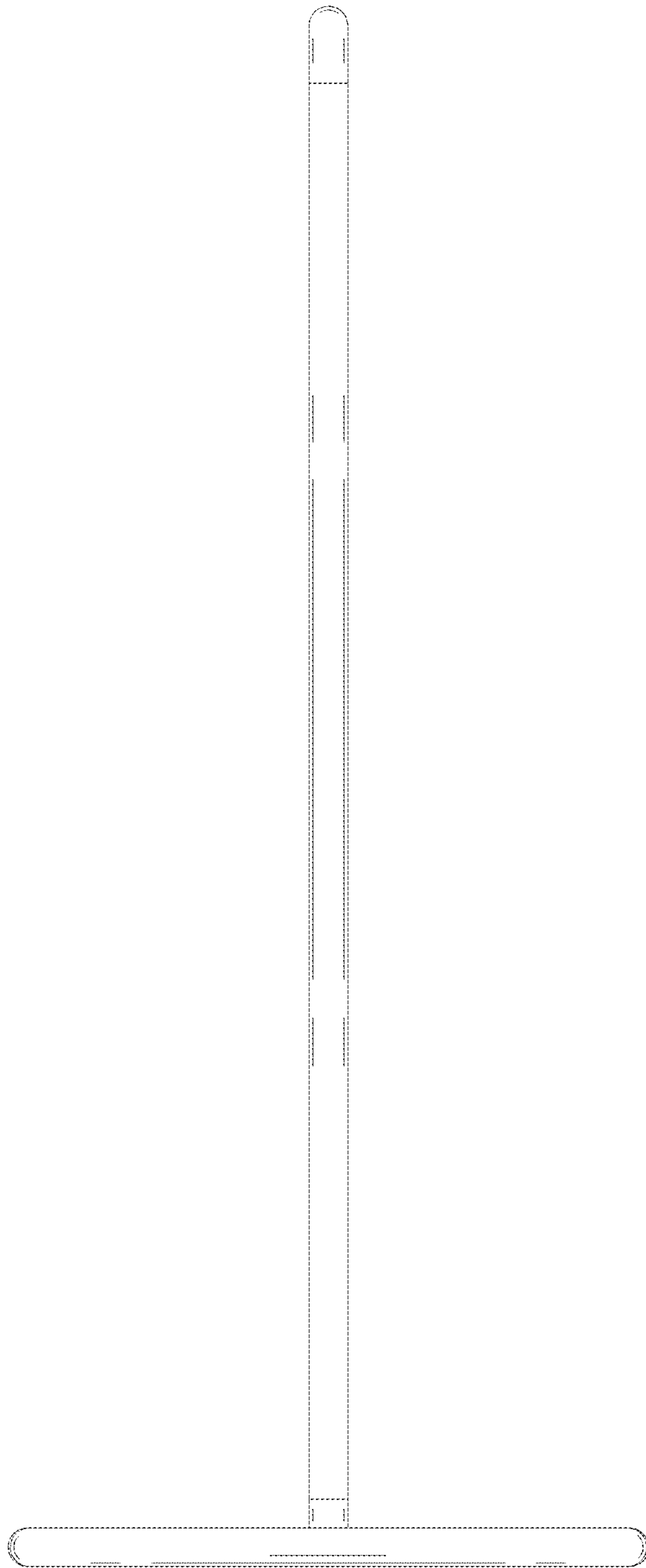


FIG.4

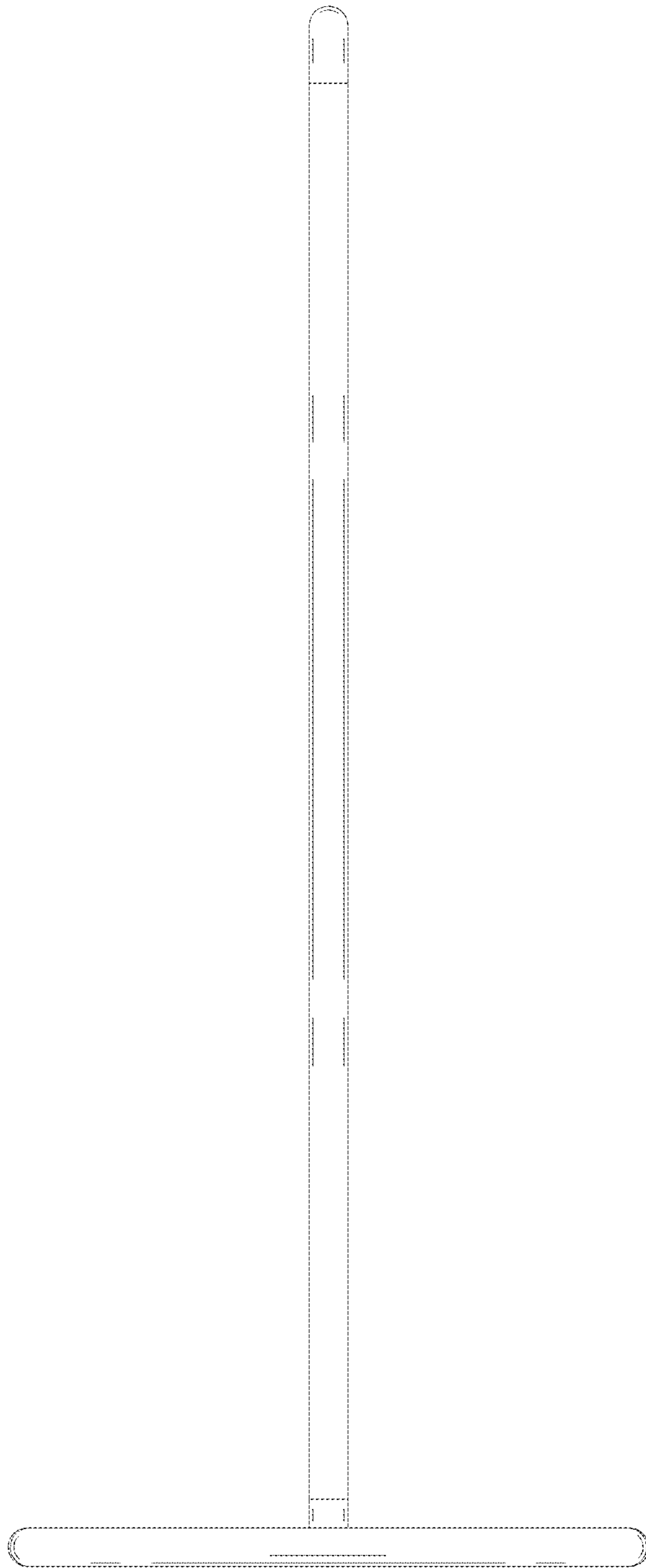


FIG. 5

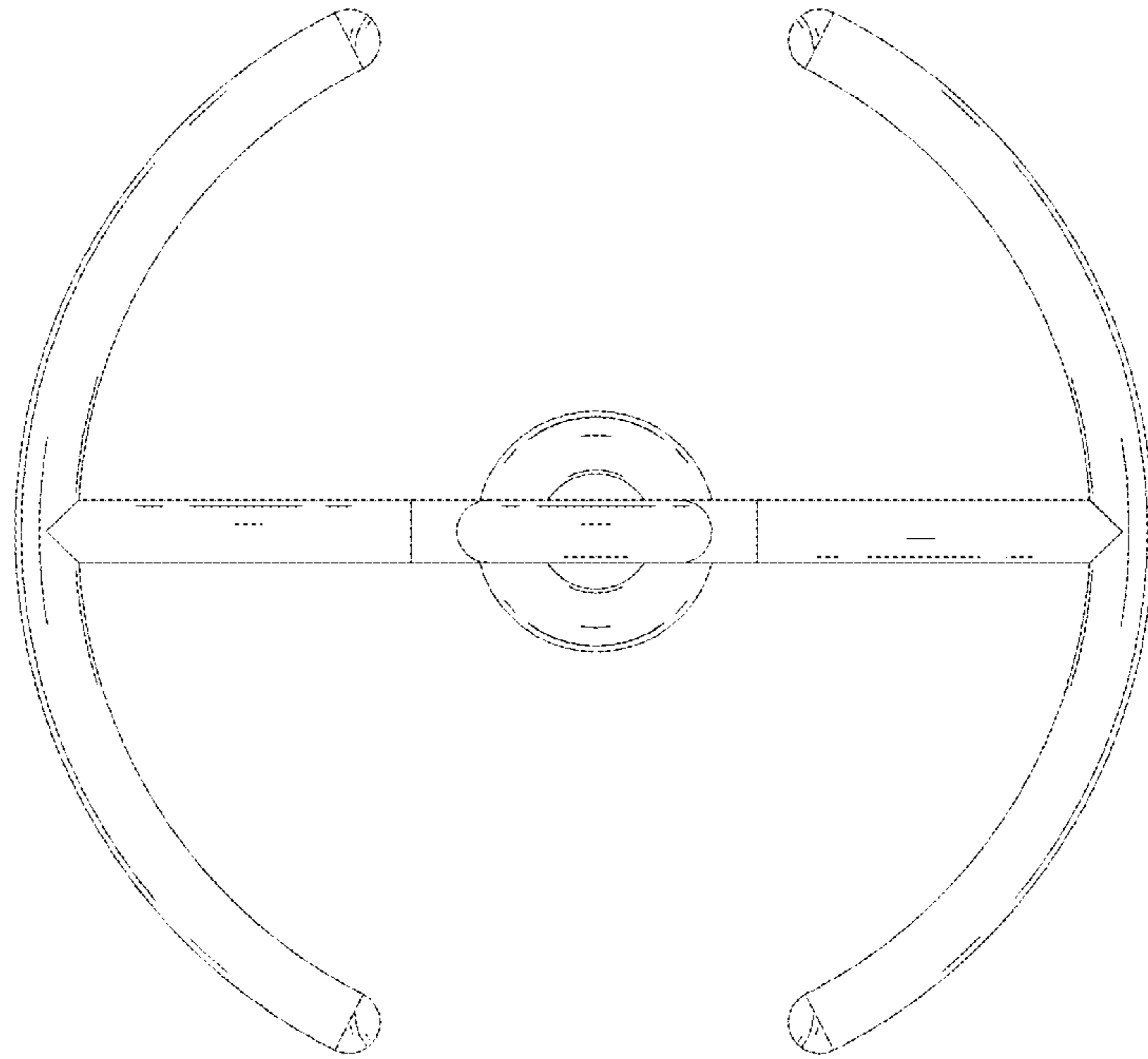


FIG.6

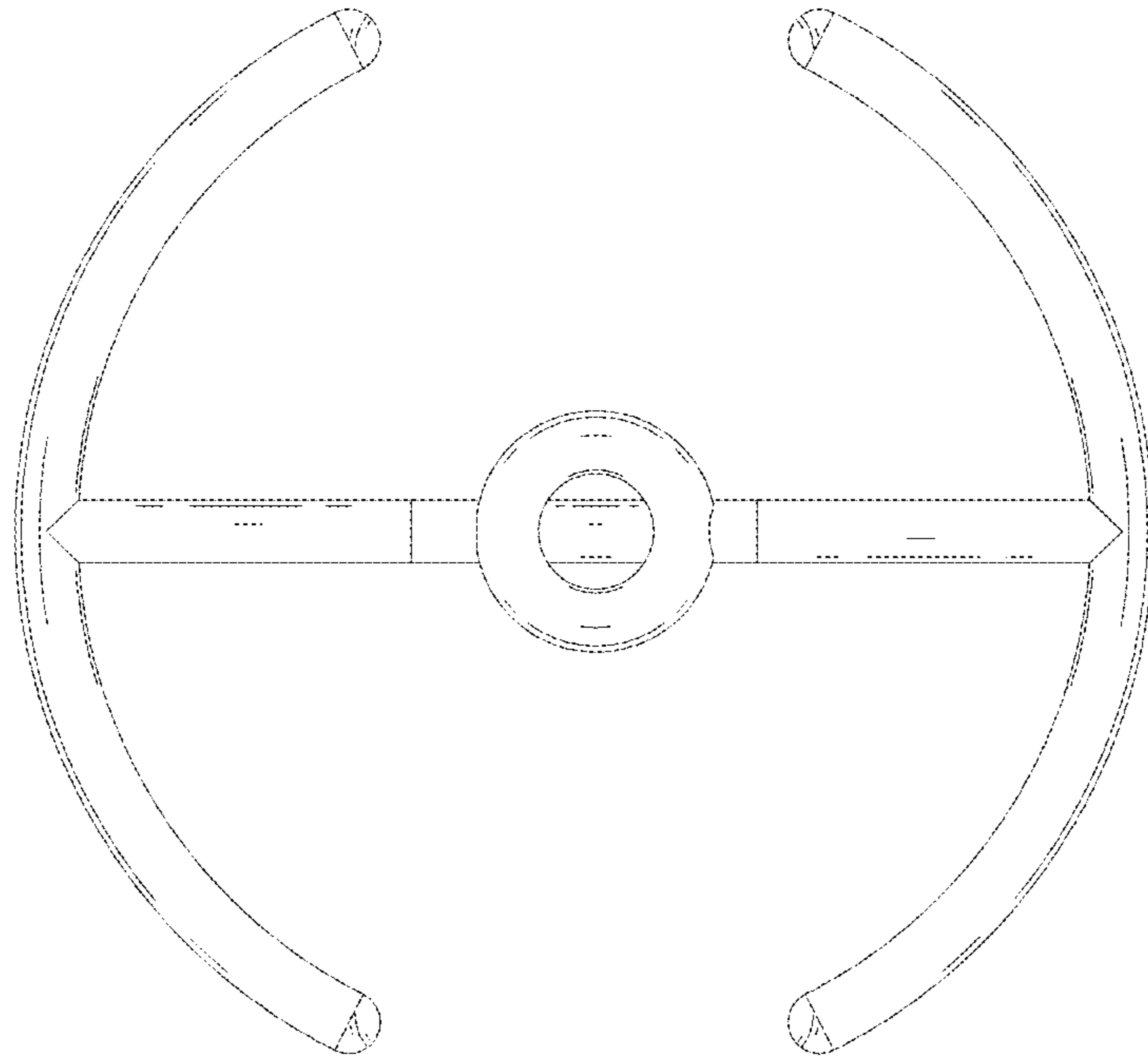


FIG.7