



US00D932205S

(12) **United States Design Patent**
Adair et al.

(10) **Patent No.:** **US D932,205 S**
(45) **Date of Patent:** **** Oct. 5, 2021**

(54) **SOFA**

Primary Examiner — Mary Ann Calabrese

(71) Applicant: **Ashley Furniture Industries, Inc.**,
Arcadia, WI (US)

Assistant Examiner — Katelin G Kloberg

(72) Inventors: **Lisa Adair**, New Albany, MS (US);
Christie Lamb, Saltillo, MS (US)

(74) *Attorney, Agent, or Firm* — McAndrews, Held &
Malloy, Ltd.

(73) Assignee: **Ashley Furniture Industries, Inc.**,
Arcadia, WI (US)

(57) **CLAIM**

(**) Term: **15 Years**

The ornamental design for a sofa, as shown and described.

(21) Appl. No.: **29/707,714**

(22) Filed: **Sep. 30, 2019**

DESCRIPTION

(51) **LOC (13) Cl.** **06-01**

(52) **U.S. Cl.**
USPC **D6/381**

(58) **Field of Classification Search**
USPC D6/334, 369, 371, 374, 375, 381
CPC A47C 7/18; A47C 17/00; A47C 17/02;
A47C 17/86

FIG. 1 is a front perspective view of a sofa showing our new design;

FIG. 2 is a front elevation view thereof;

FIG. 3 is a right side elevation view thereof;

FIG. 4 is a left side elevation view thereof; and,

FIG. 5 is a top plan view thereof.

Views of the sofa not shown in the figures form no part of the claimed design.

See application file for complete search history.

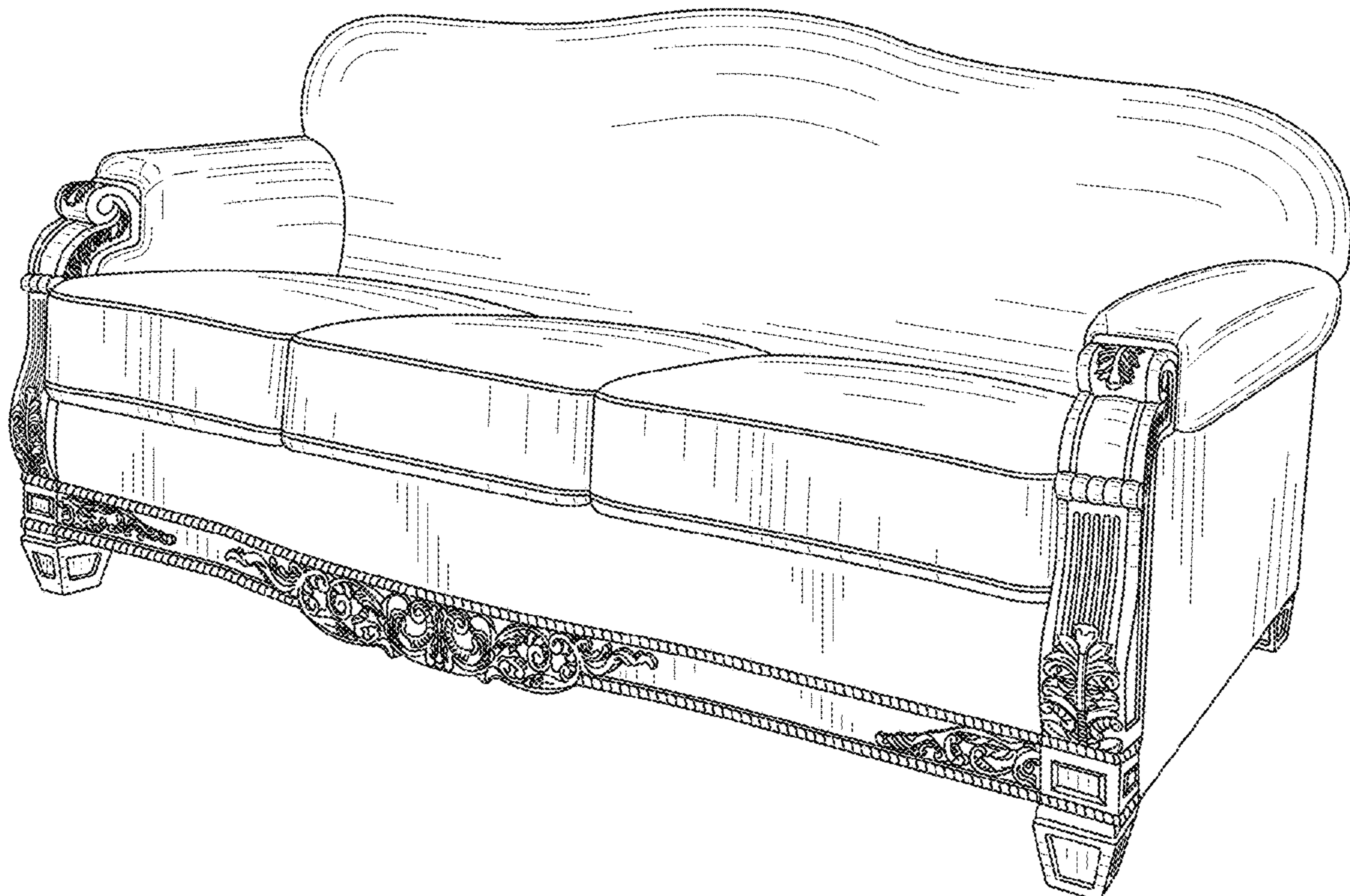
(56) **References Cited**

U.S. PATENT DOCUMENTS

D493,038 S *	7/2004	Adair	D6/381
D536,898 S *	2/2007	Mohundro	D6/381
D564,776 S *	3/2008	Adair	D6/381
D575,544 S *	8/2008	Adair	D6/334

1 Claim, 5 Drawing Sheets

* cited by examiner



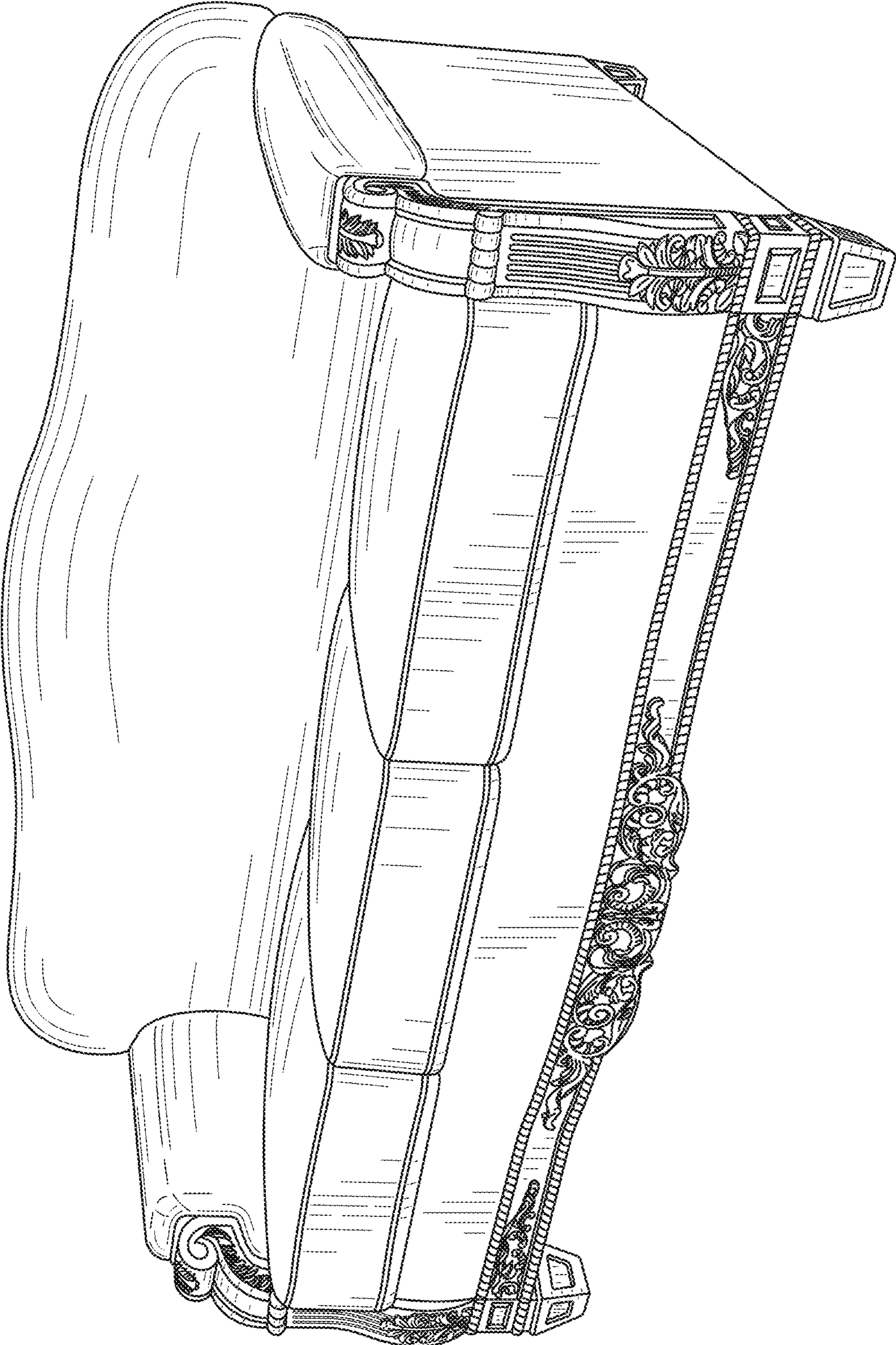


FIG. 1

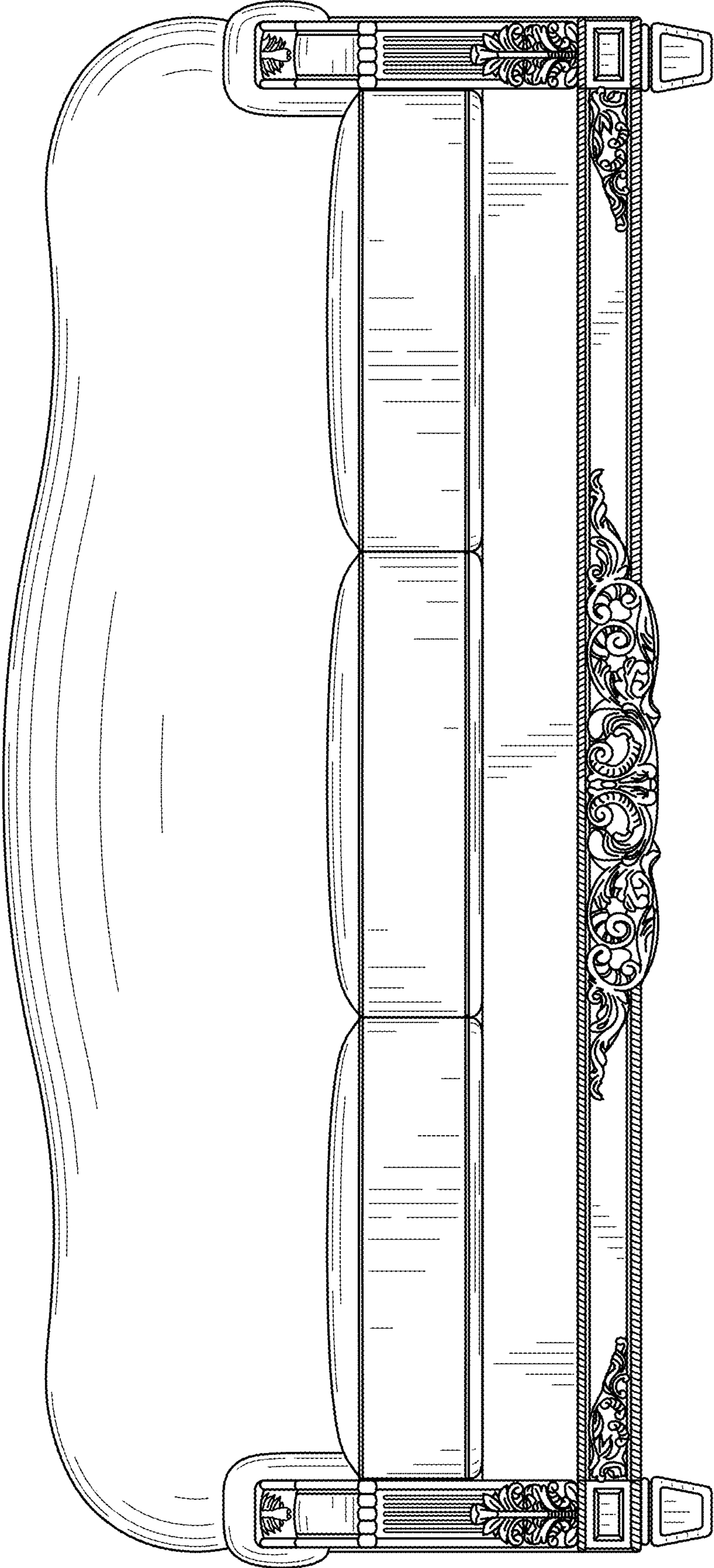


FIG. 2

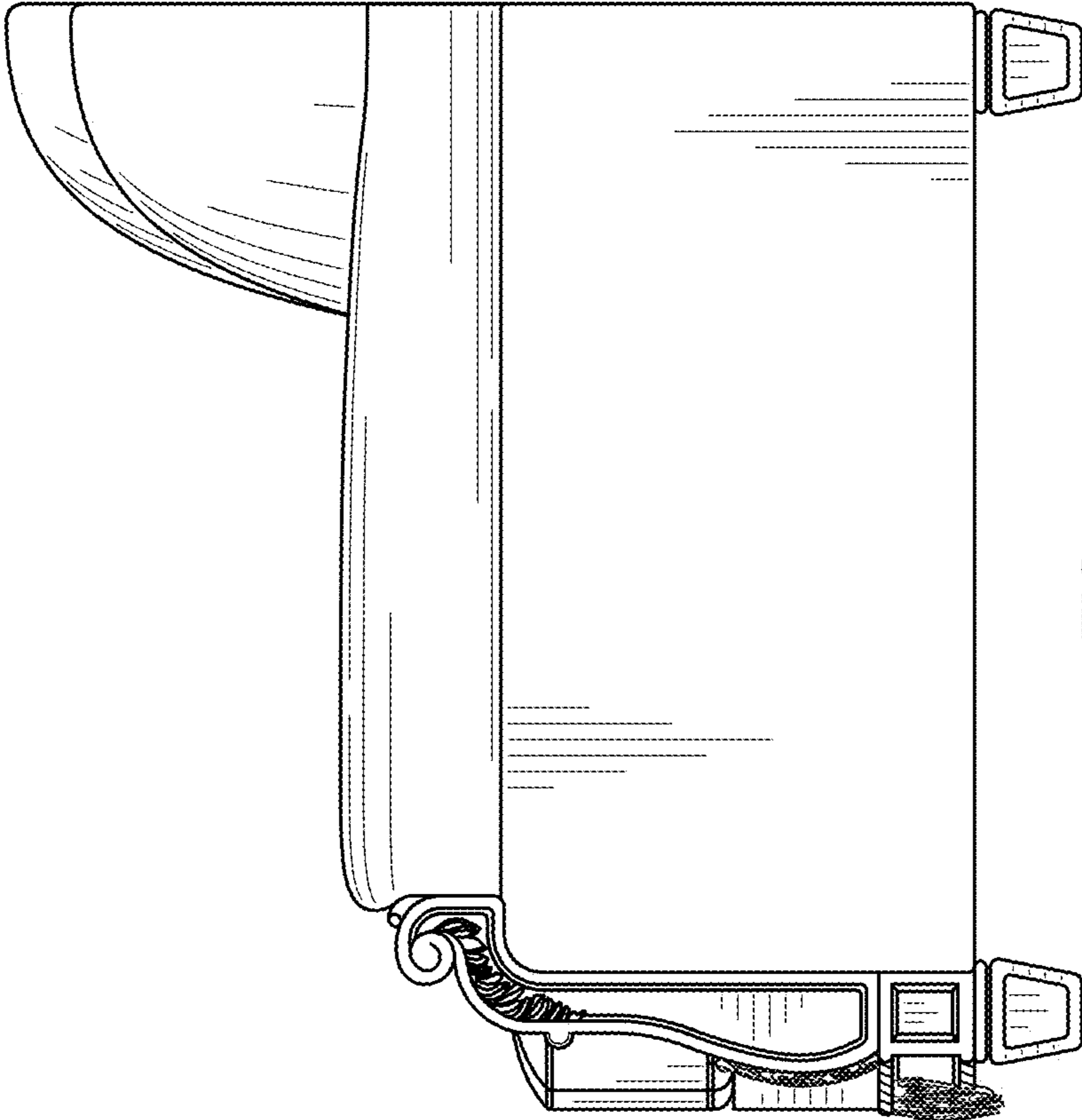


FIG. 3

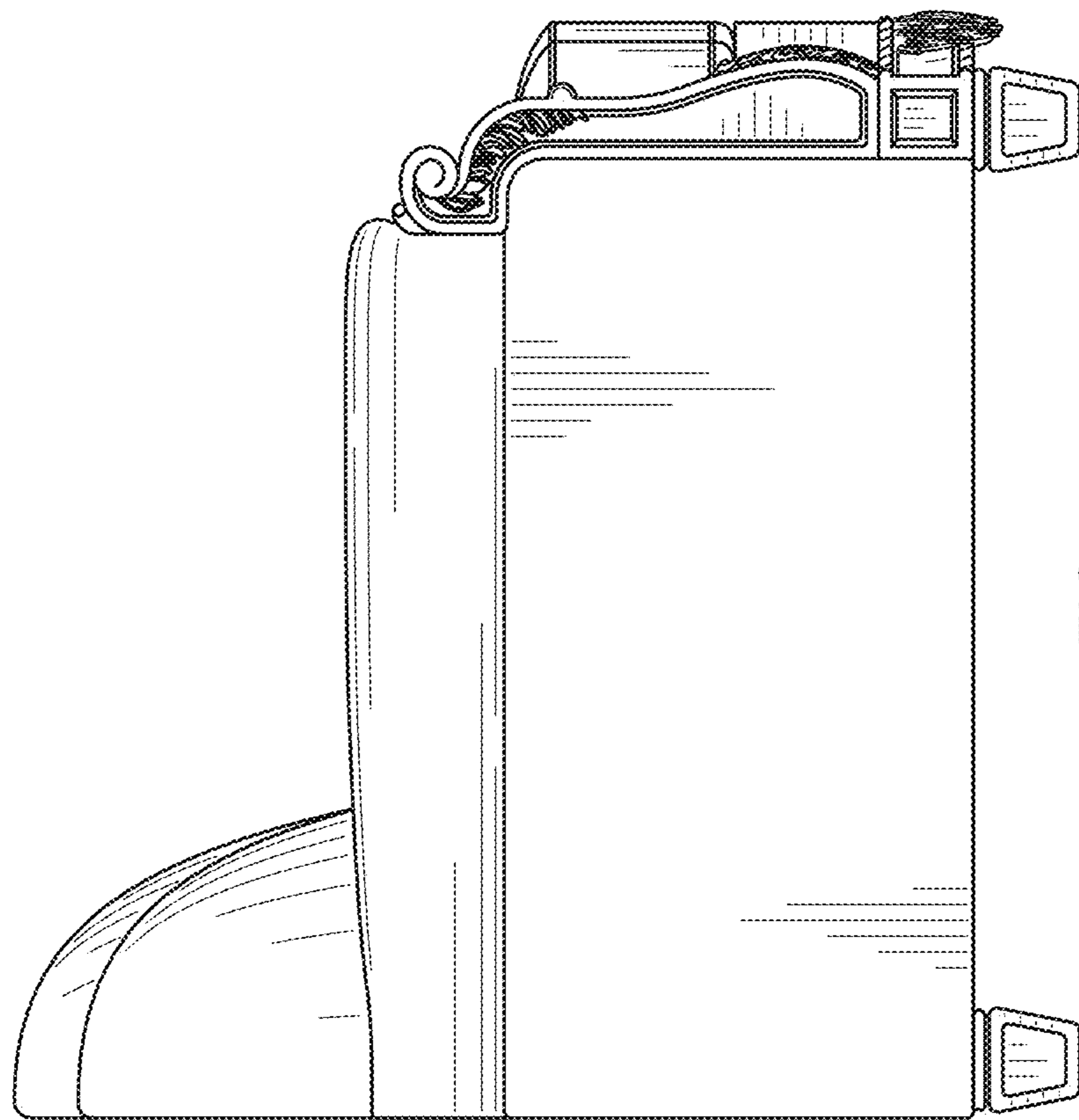


FIG. 4

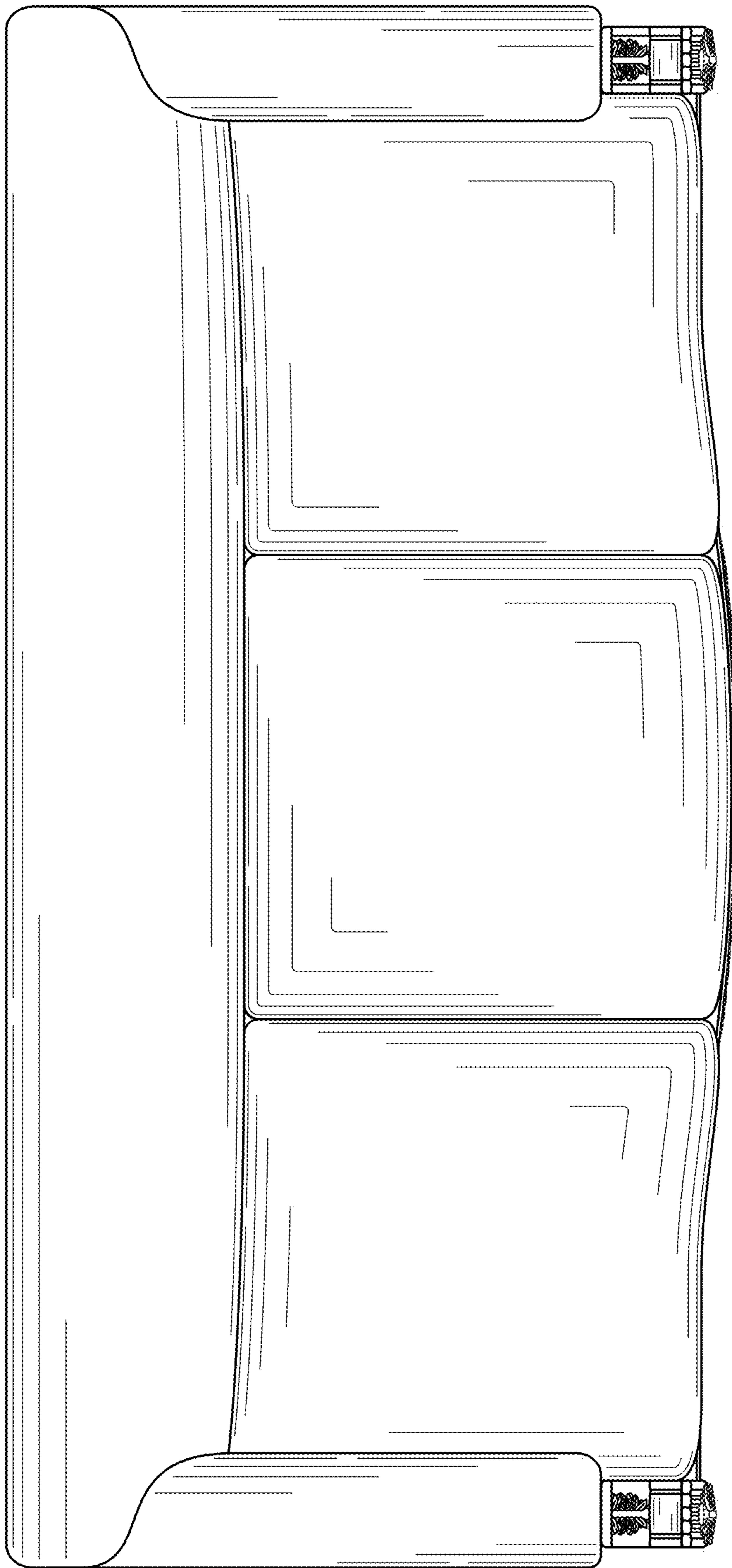


FIG. 5