



US00D932202S

(12) **United States Design Patent** (10) **Patent No.:** **US D932,202 S**  
**Hiyoshi et al.** (45) **Date of Patent:** **\*\* Oct. 5, 2021**

(54) **CHAIR**

(71) Applicant: **Steelcase Inc.**, Grand Rapids, MI (US)

(72) Inventors: **Yuka Hiyoshi**, Grand Rapids, MI (US);  
**Lucas Vinecki**, Comstock Park, MI (US)

(73) Assignee: **Steelcase Inc.**, Grand Rapids, MI (US)

(\*\*) Term: **15 Years**

(21) Appl. No.: **29/719,250**

(22) Filed: **Jan. 2, 2020**

(51) **LOC (13) Cl.** ..... **06-01**

(52) **U.S. Cl.**  
USPC ..... **D6/375**

(58) **Field of Classification Search**  
USPC ..... D6/333, 334, 341, 348, 349, 350, 352,  
D6/353, 360, 364, 369, 370, 371, 373,  
D6/374, 375, 376, 377, 379, 380, 390,  
D6/677, 692, 700, 708, 708.16, 716, 611;  
D16/237; D21/412, 419, 521  
CPC ..... A47C 1/124; A47C 3/34; A47C 4/028;  
A47C 4/02; A47C 5/12; A47C 5/125;  
A47C 7/506; A47C 9/007; A47C 13/005;  
A47C 13/023; A47C 31/113; A47C  
31/02; A47C 5/06; A47C 5/08; A47C  
27/00; A47C 27/086; A47C 31/11; A47C  
7/021; A47C 7/0213; B60R 2/0284; B60R  
2/062; B60R 22/001; B60R 22/24; B60R  
22/28; B60R 22/58; B60R 22/64; B60R  
22/68; B60R 22/80; B60R 22/99; B60R  
22/245; B60R 22/643; B60R 22/646;  
B60R 22/665; B60R 22/686; B60R  
22/688; B60R 22/803; B60R 22/986;  
B60R 22/914; B60R 22/995

See application file for complete search history.

(56) **References Cited**

U.S. PATENT DOCUMENTS

2,649,136 A	8/1953	Eames	
2,687,768 A *	8/1954	Konkle .....	A47C 5/14 297/446.1
2,847,062 A	8/1958	Henrikson	
D186,658 S	11/1959	Spilman	
D214,834 S	8/1969	Moore et al.	
D226,997 S	5/1973	Oliver	
3,761,131 A	9/1973	Oliver	
D245,819 S	9/1977	Tillberg	
D281,839 S	12/1985	Hopfer	
D352,185 S	11/1994	Pagnon et al.	
D393,753 S	4/1998	Mourgue	
D420,828 S	2/2000	Bertoni	
D433,830 S	11/2000	Barile et al.	

(Continued)

FOREIGN PATENT DOCUMENTS

GB 849077 A 9/1960

OTHER PUBLICATIONS

Cult by Archirivolto Design. Downloaded from <https://www.segis.it/en/products/Cult/> on Jan. 2, 2020 (9 pages).

*Primary Examiner* — Kevin K Rudzinski

*Assistant Examiner* — Paul D Bohannon

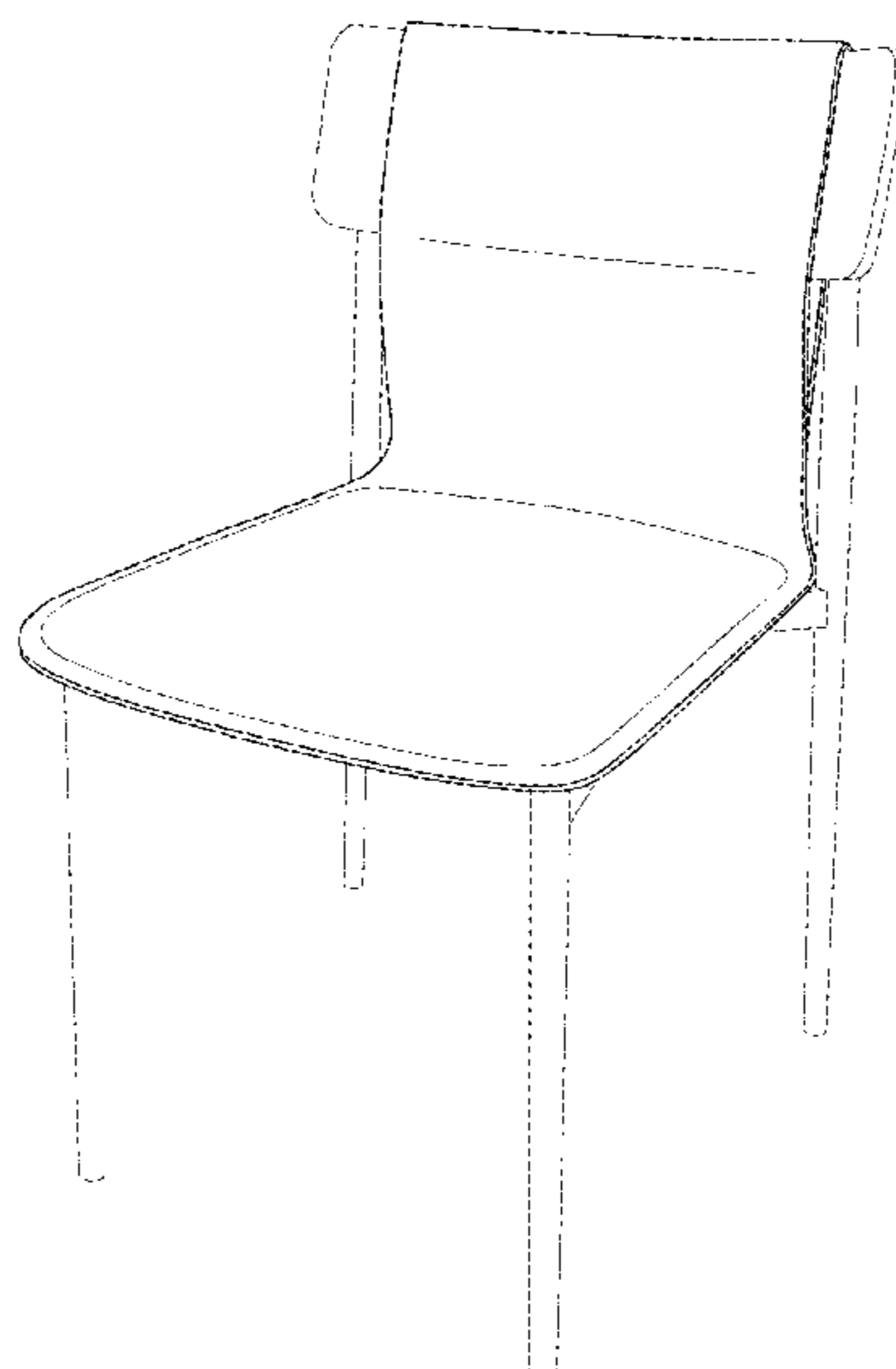
(57) **CLAIM**

We claim the ornamental design for a chair, as shown and described.

**DESCRIPTION**

FIG. 1 is a front perspective view of a chair, showing our new design;  
FIG. 2 is a front view of the chair thereof;  
FIG. 3 is a rear view of the chair thereof;  
FIG. 4 is a right side view of the chair thereof, the left side view is a mirror image of the right side view of FIG. 4;  
FIG. 5 is a top view of the chair thereof; and,  
FIG. 6 is a bottom view of the chair thereof.

**1 Claim, 5 Drawing Sheets**



(56)

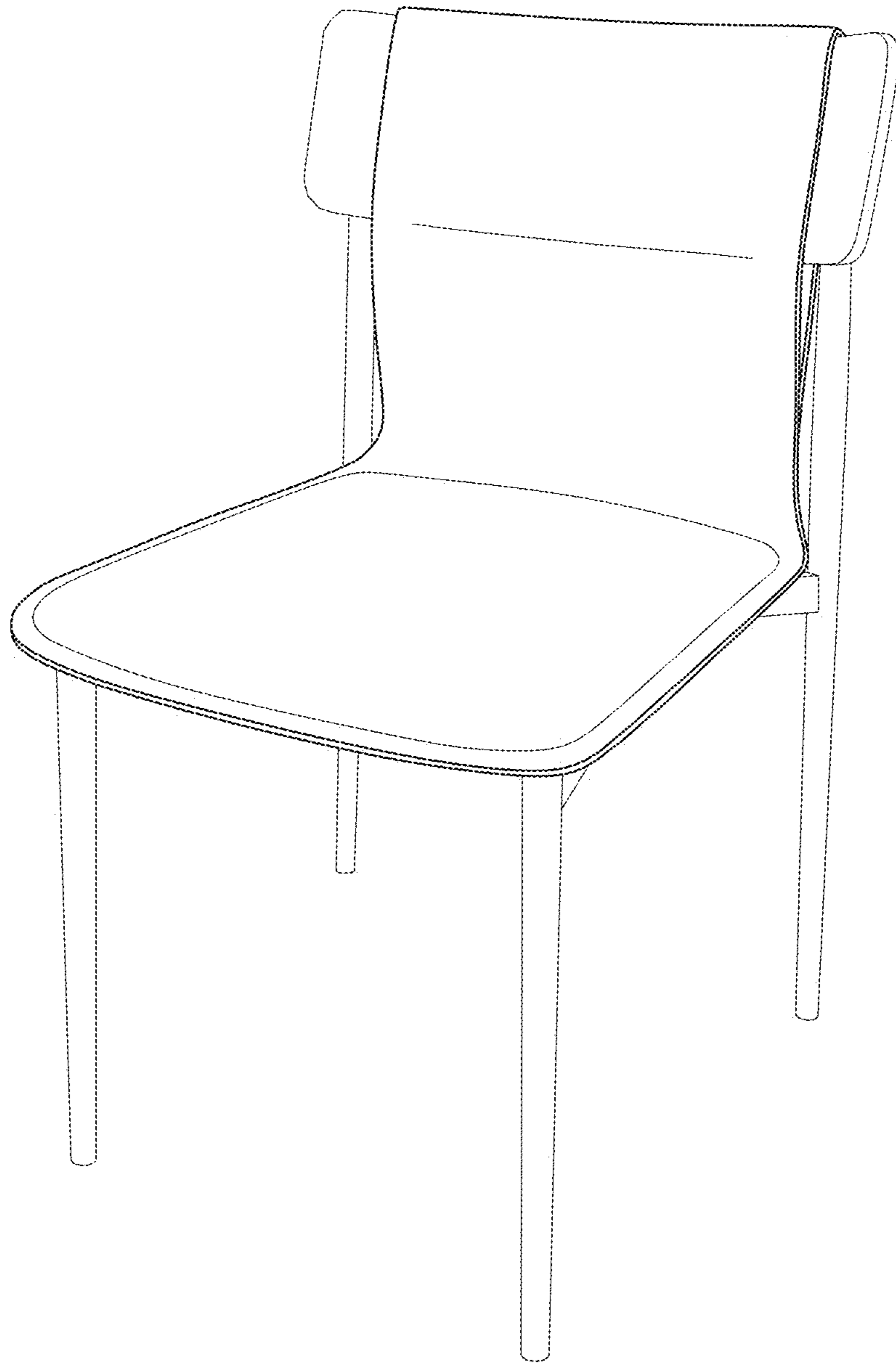
References Cited

U.S. PATENT DOCUMENTS

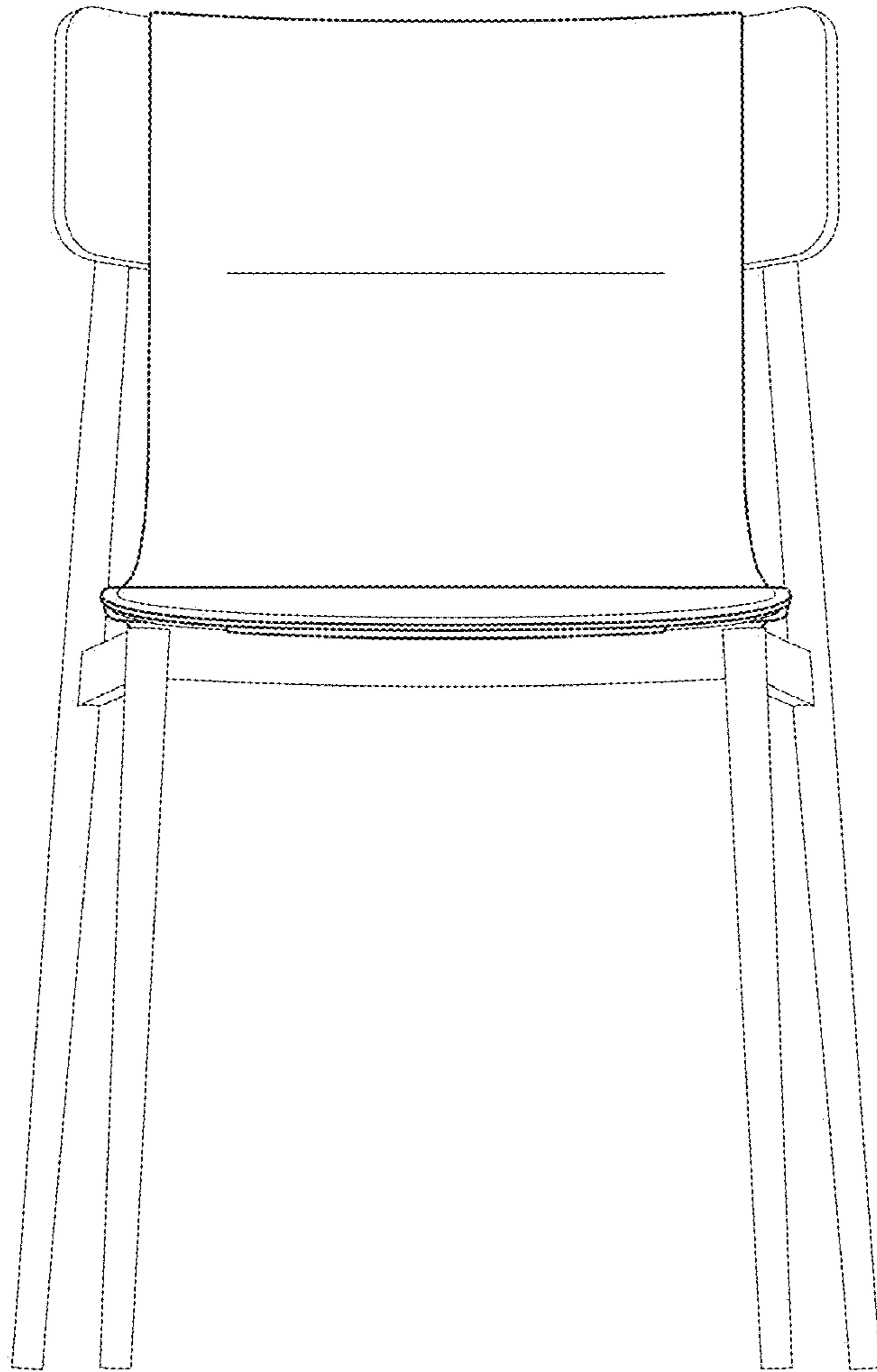
D457,005 S 5/2002 Mourgue  
 D489,554 S 5/2004 Lemmeyer et al.  
 D502,331 S 3/2005 Socha et al.  
 D503,865 S 4/2005 Eldoy  
 D514,335 S 2/2006 Patti  
 D578,789 S \* 10/2008 Ciani ..... D6/380  
 D610,817 S 3/2010 Degenhardt  
 D617,567 S 6/2010 Stiker Metral  
 D636,195 S 4/2011 Reyes et al.  
 D638,231 S 5/2011 Lievore  
 D646,091 S 10/2011 Welsh  
 D647,320 S 10/2011 Young  
 D648,562 S 11/2011 Lievore  
 D663,132 S 7/2012 Morrison  
 D665,593 S 8/2012 Morrison  
 D669,701 S 10/2012 Starck  
 D670,099 S 11/2012 Olivares  
 D673,787 S \* 1/2013 Bartlmae ..... D6/380  
 D689,296 S 9/2013 Starck  
 D693,139 S 11/2013 Darrow  
 D695,036 S 12/2013 Pesso  
 D695,037 S 12/2013 Pesso  
 D715,569 S 10/2014 Laub  
 D715,573 S 10/2014 Lloyd  
 D724,342 S 3/2015 Pesso  
 D731,222 S 6/2015 Bosman  
 D740,045 S 10/2015 Wilkinson  
 9,295,339 B2 3/2016 Hampton  
 D763,004 S 8/2016 Moscheri  
 D770,792 S 11/2016 George, II  
 D799,848 S 10/2017 Morrison  
 D805,797 S 12/2017 Toffoloni

D806,426 S 1/2018 George, II  
 D808,669 S 1/2018 Li  
 D811,790 S 3/2018 Chavarria  
 D811,791 S 3/2018 Chavarria  
 D819,380 S 6/2018 Chavarria  
 D820,018 S 6/2018 Bellin  
 D826,587 S 8/2018 George, II  
 D831,368 S 10/2018 Jones  
 D831,992 S 10/2018 Molteni  
 D831,993 S 10/2018 George, II  
 D832,608 S 11/2018 Liu  
 D833,162 S 11/2018 Schnermann  
 D833,766 S 11/2018 Davis et al.  
 D834,850 S 12/2018 Davis et al.  
 D836,358 S 12/2018 Starck  
 D844,341 S 4/2019 Tran  
 D844,344 S 4/2019 Tran  
 D845,021 S 4/2019 Bray  
 D845,658 S 4/2019 Tham  
 D846,932 S 4/2019 Lampela  
 D850,136 S 6/2019 Haugh  
 D856,055 S 8/2019 Read  
 D858,128 S 9/2019 Li  
 D859,021 S 9/2019 Novak  
 D859,022 S \* 9/2019 Jones ..... D6/374  
 D860,666 S 9/2019 Urquiola  
 D863,805 S \* 10/2019 Jones ..... D6/374  
 D873,047 S \* 1/2020 Wilkinson ..... D6/380  
 D877,526 S \* 3/2020 Vasilev ..... D6/379  
 D893,895 S \* 8/2020 Traverso ..... D6/334  
 D898,401 S \* 10/2020 Tabuchi ..... D6/376  
 D899,803 S \* 10/2020 Tabet ..... D6/380  
 D917,911 S \* 5/2021 Jones ..... D6/376  
 D924,596 S \* 7/2021 Breinholt ..... D6/380  
 2007/0145798 A1 6/2007 Nadler-Sachs

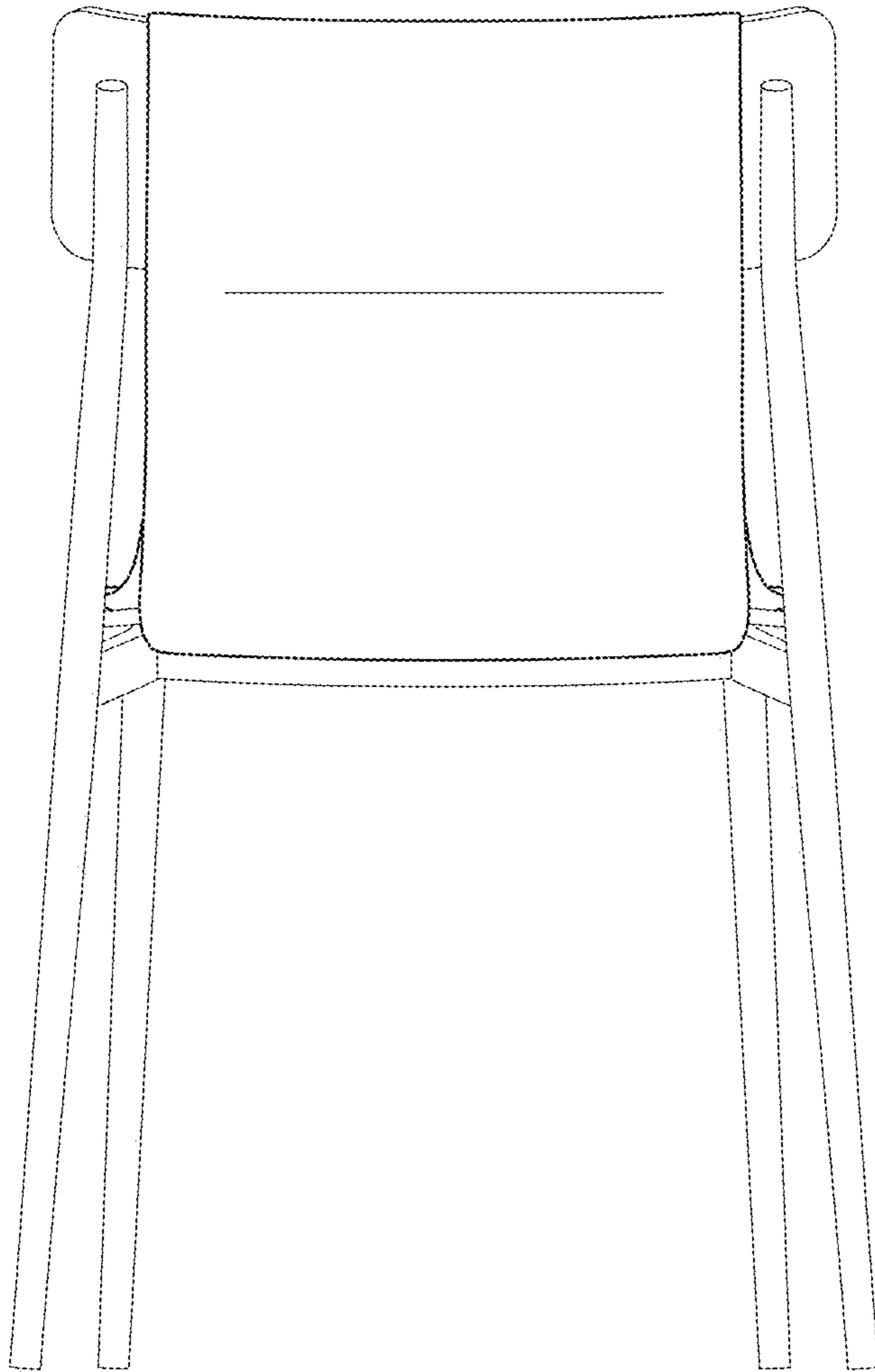
\* cited by examiner



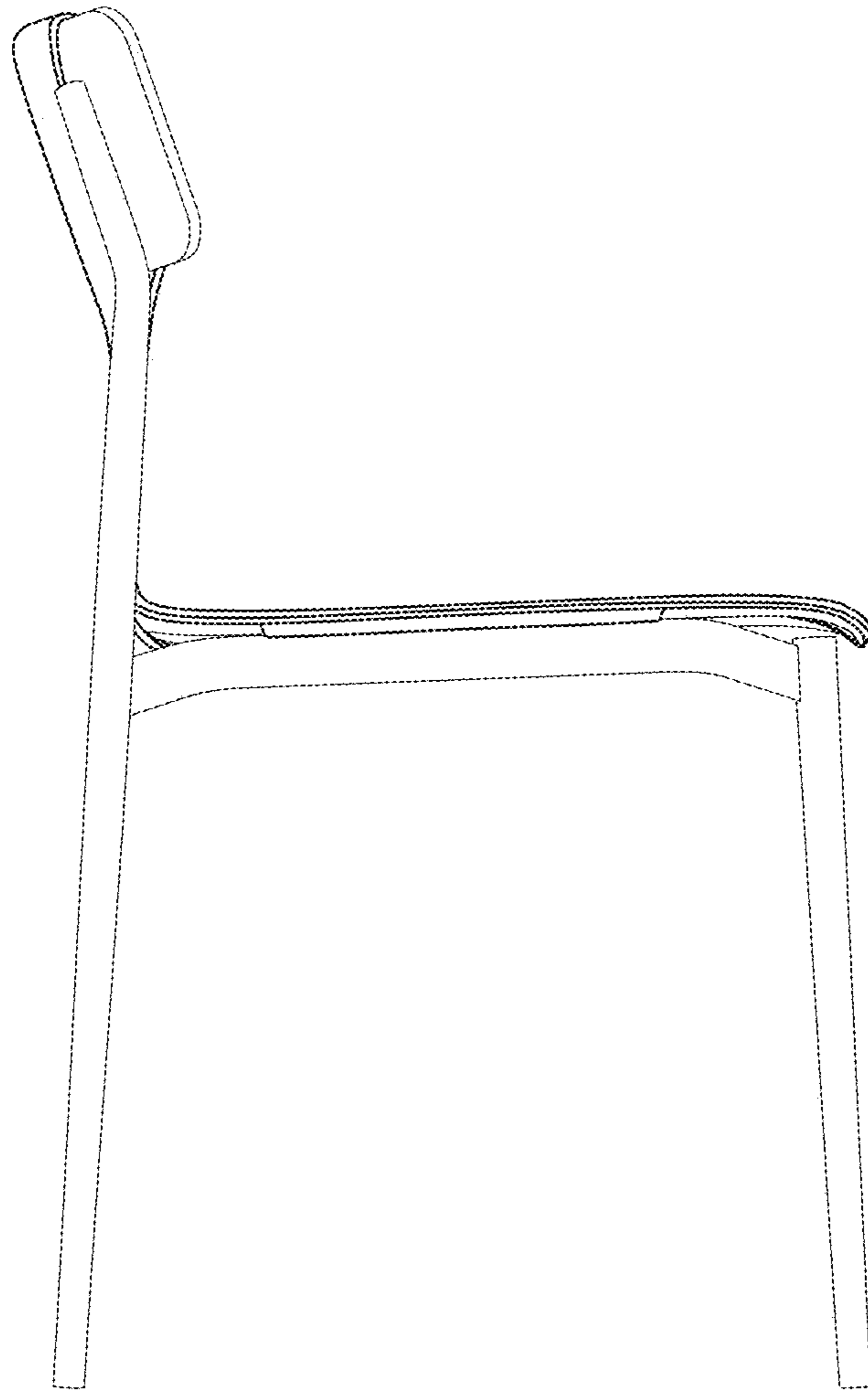
**FIG. 1**



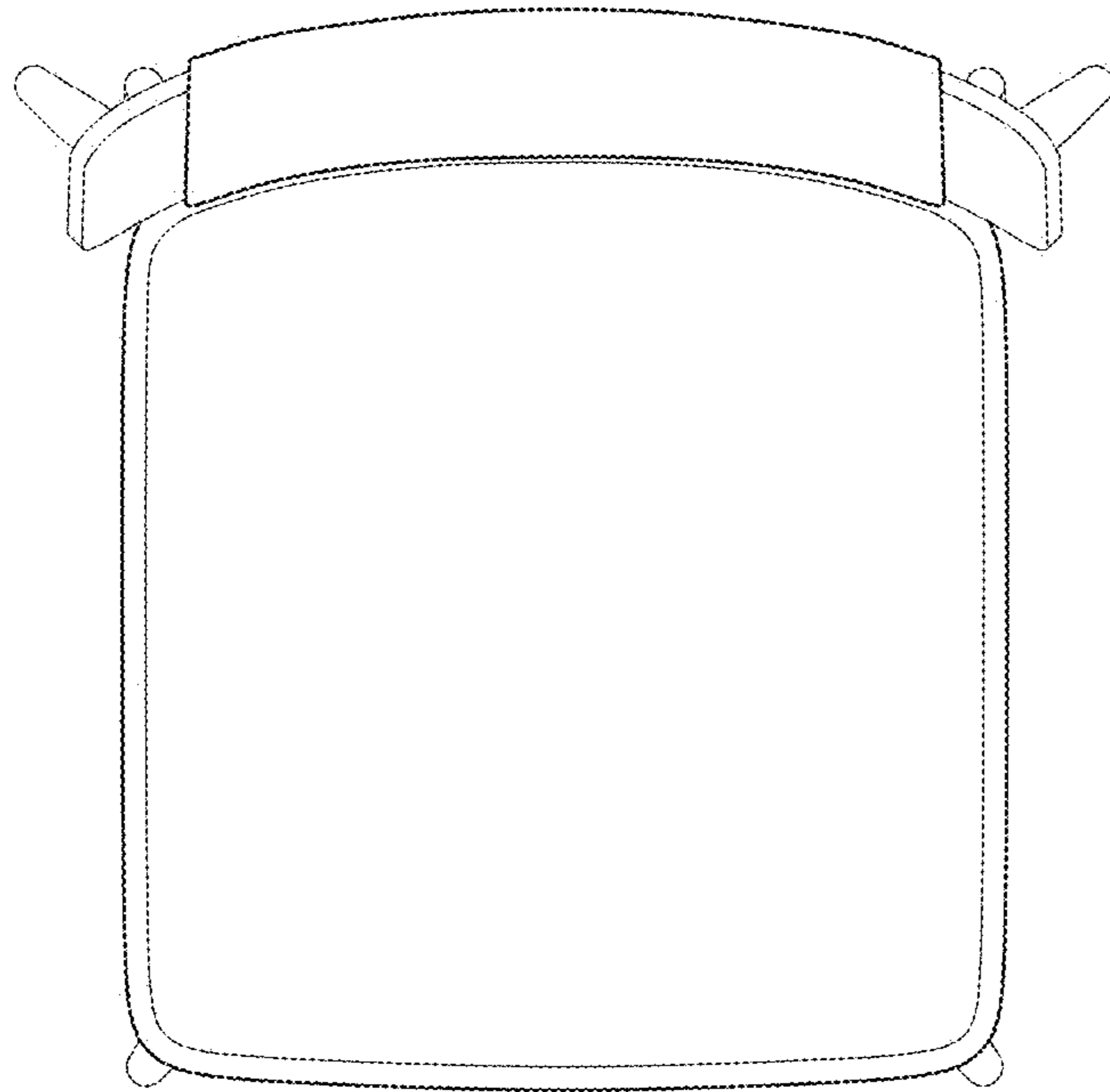
**FIG. 2**



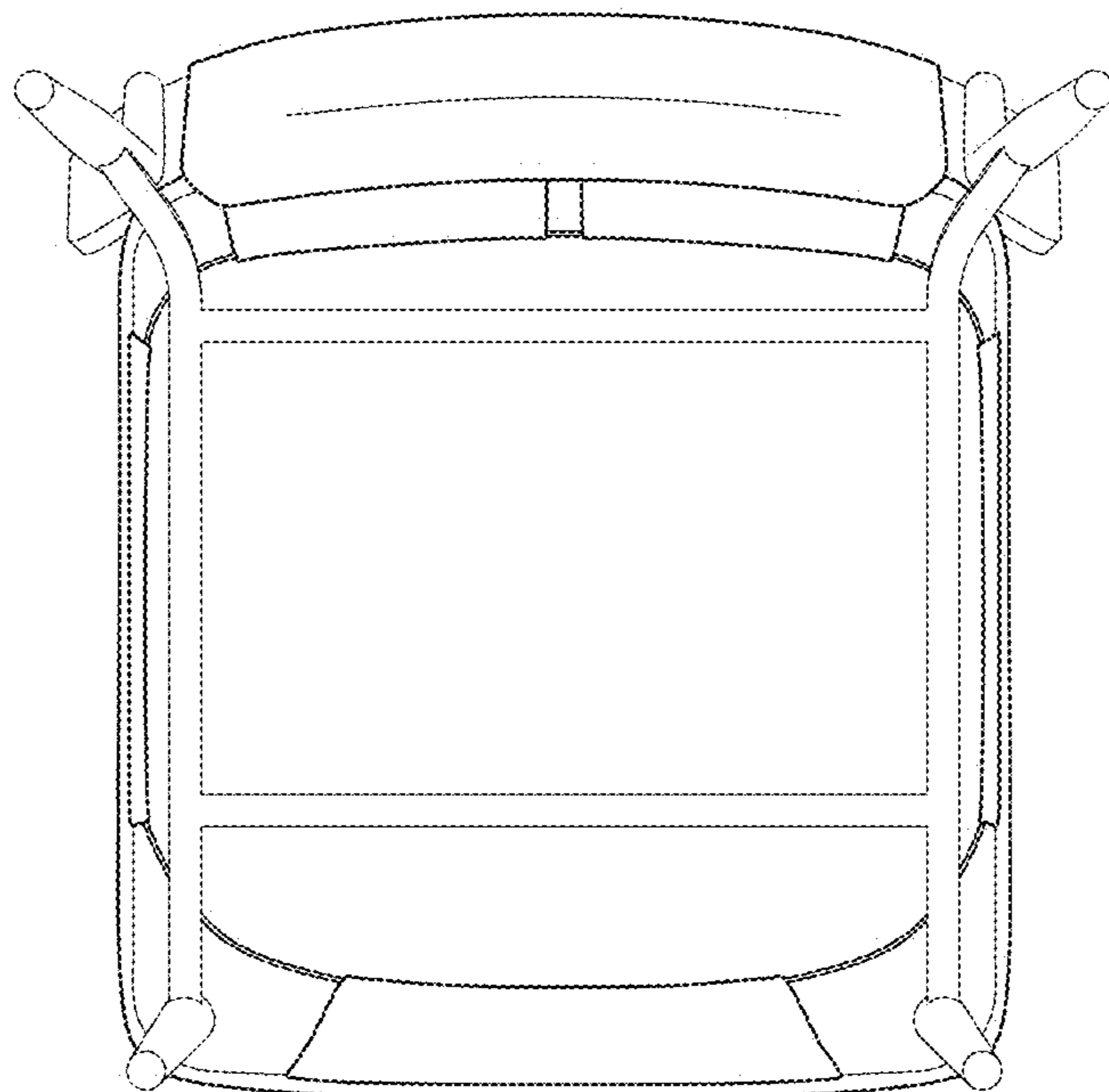
**FIG. 3**



**FIG. 4**



**FIG. 5**



**FIG. 6**