



US00D932199S

(12) **United States Design Patent** (10) **Patent No.:** **US D932,199 S**
Jiang (45) **Date of Patent:** **** Oct. 5, 2021**

(54) **MIRROR**

(71) Applicant: **Shenzhenshi Tian**
shuoshangmaoyouxianzerengongsi,
Shenzhenshi Guangdong (CN)

(72) Inventor: **Zhiheng Jiang,** Shenzhenshi
Guangdong (CN)

(**) Term: **15 Years**

(21) Appl. No.: **29/778,575**

(22) Filed: **Apr. 14, 2021**

(51) **LOC (13) Cl.** **06-07**

(52) **U.S. Cl.**
USPC **D6/309**

(58) **Field of Classification Search**
USPC D6/300-314
CPC A47G 1/0633; A47G 1/0622; A47G 1/04;
A47G 2200/08; A47G 2200/085; A45D
42/20

See application file for complete search history.

(56) **References Cited**

U.S. PATENT DOCUMENTS

D579,671 S	11/2008	Mischel, Jr.	
D737,059 S *	8/2015	Tsai	D6/300
D737,580 S *	9/2015	Tsai	D6/300
D832,599 S *	11/2018	Zadro	D6/309
D919,983 S *	5/2021	Yang	D6/312

FOREIGN PATENT DOCUMENTS

EM 008503437-0001 * 4/2021

OTHER PUBLICATIONS

“UUCOLOR Wall Mounted Makeup Mirror 8 Inch 1X/10X Magnifying Double Sided Touch Button Adjustable Light 360° Swivel

Extendable Vanity Mirror Chrome Finished for Bathroom Hotels Battery Powered” product listing, Amazon. Listed as first available on Oct. 19, 2020. Accessed on Jun. 28, 2021 at (Year: 2020): https://www.amazon.com/UUCOLOR-Magnifying-Adjustable-Extendable-Finished/dp/B08LDFFC6C/ref=psdc_3736411_t1_B07YGK8HPZ (Year: 2020).*
Zhiheng Jiang, Mirror https://www.amazon.com/dp/B08PBMN2ZF?ref=myi_title_dp, offered for sale on Nov. 30, 2020.

* cited by examiner

Primary Examiner — Deanna L Pratt

(57) **CLAIM**

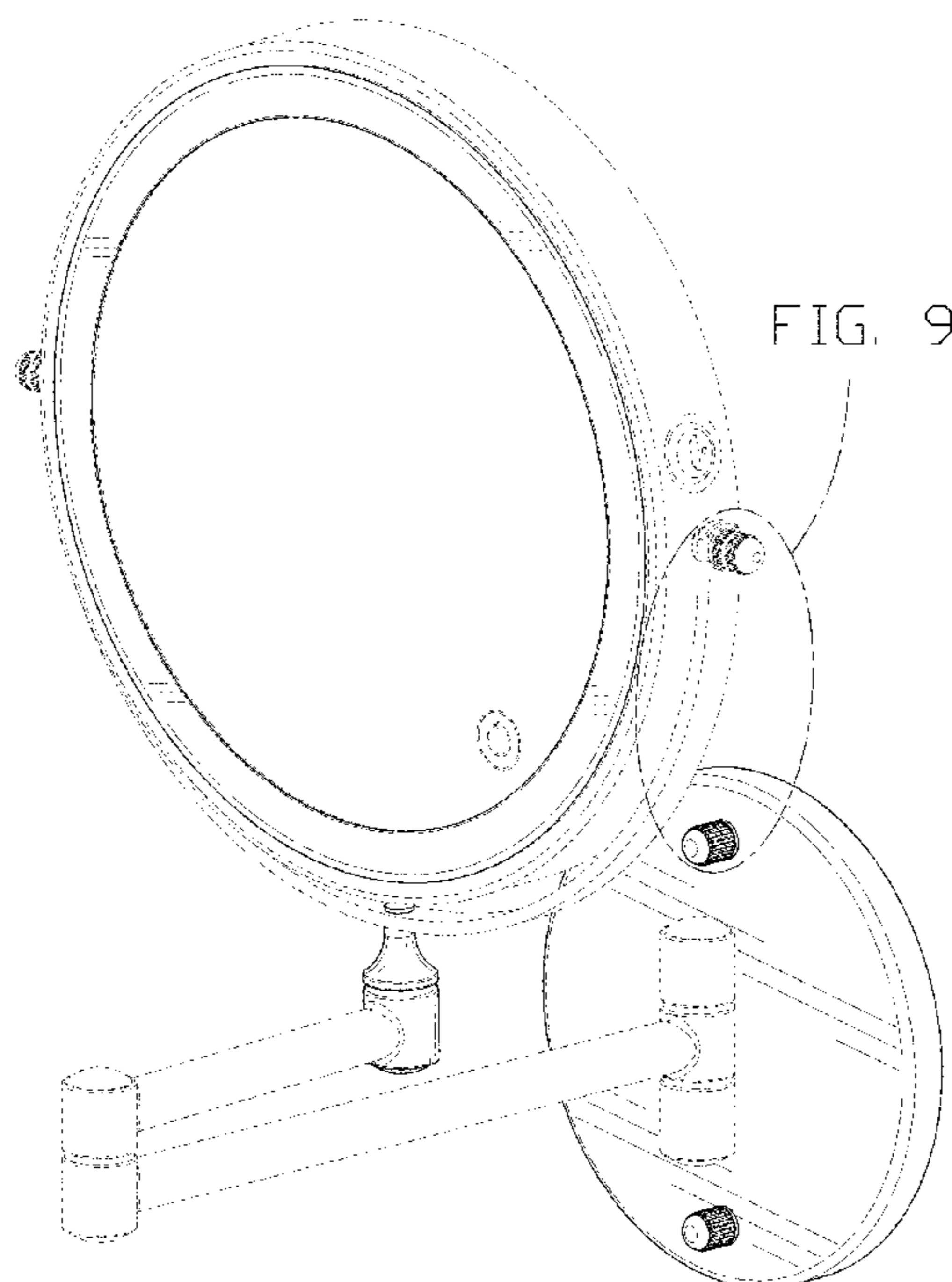
The ornamental design for a mirror, as shown and described.

DESCRIPTION

FIG. 1 is a front and top perspective view of a mirror, showing my new design;
FIG. 2 is a rear and bottom perspective view thereof;
FIG. 3 is a front elevation view thereof;
FIG. 4 is a rear elevation view thereof;
FIG. 5 is a left side elevation view thereof;
FIG. 6 is a right side elevation view thereof;
FIG. 7 is a top plan view thereof;
FIG. 8 is a bottom plan view thereof; and,
FIG. 9 is an enlarged view of a portion labeled, ‘FIG. 9’ in FIG. 1.

The broken lines in the figures illustrate portions of the mirror that form no part of the claimed design. The dash dot dash lines in FIGS. 1 and 9 are for the purpose of depicting the cut line of the enlarged view and form no part of the claim.

1 Claim, 9 Drawing Sheets



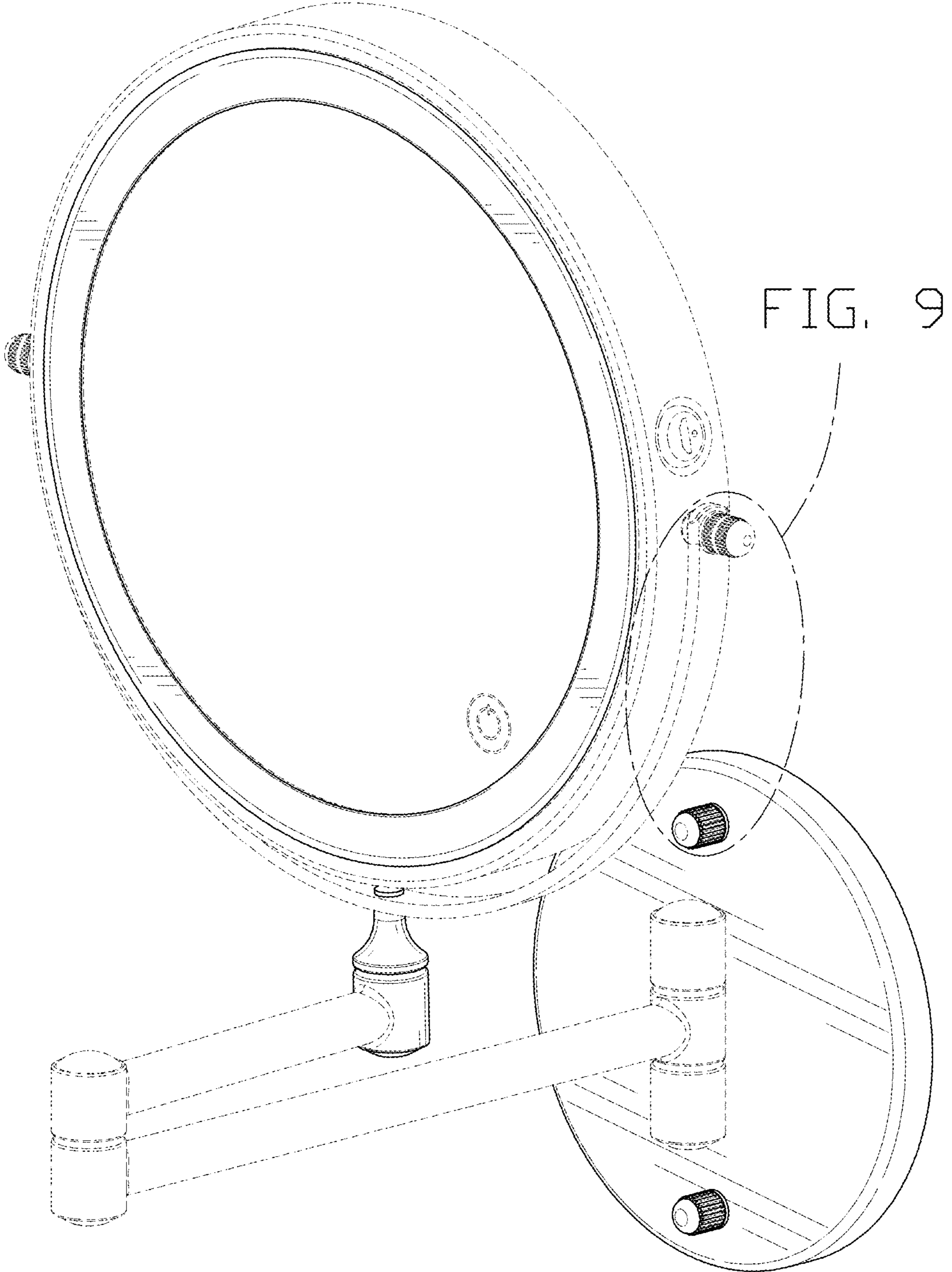


FIG. 1

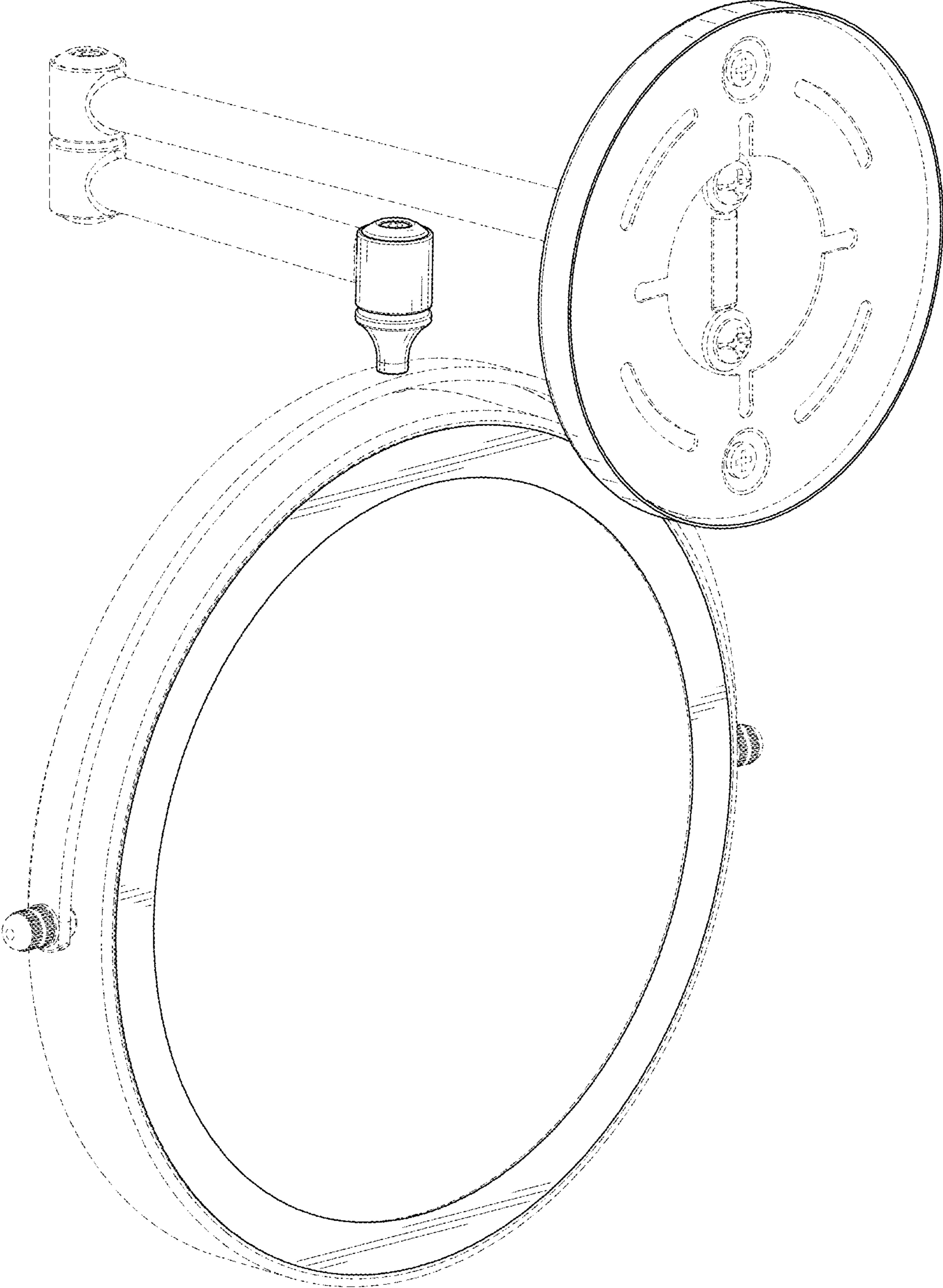


FIG. 2

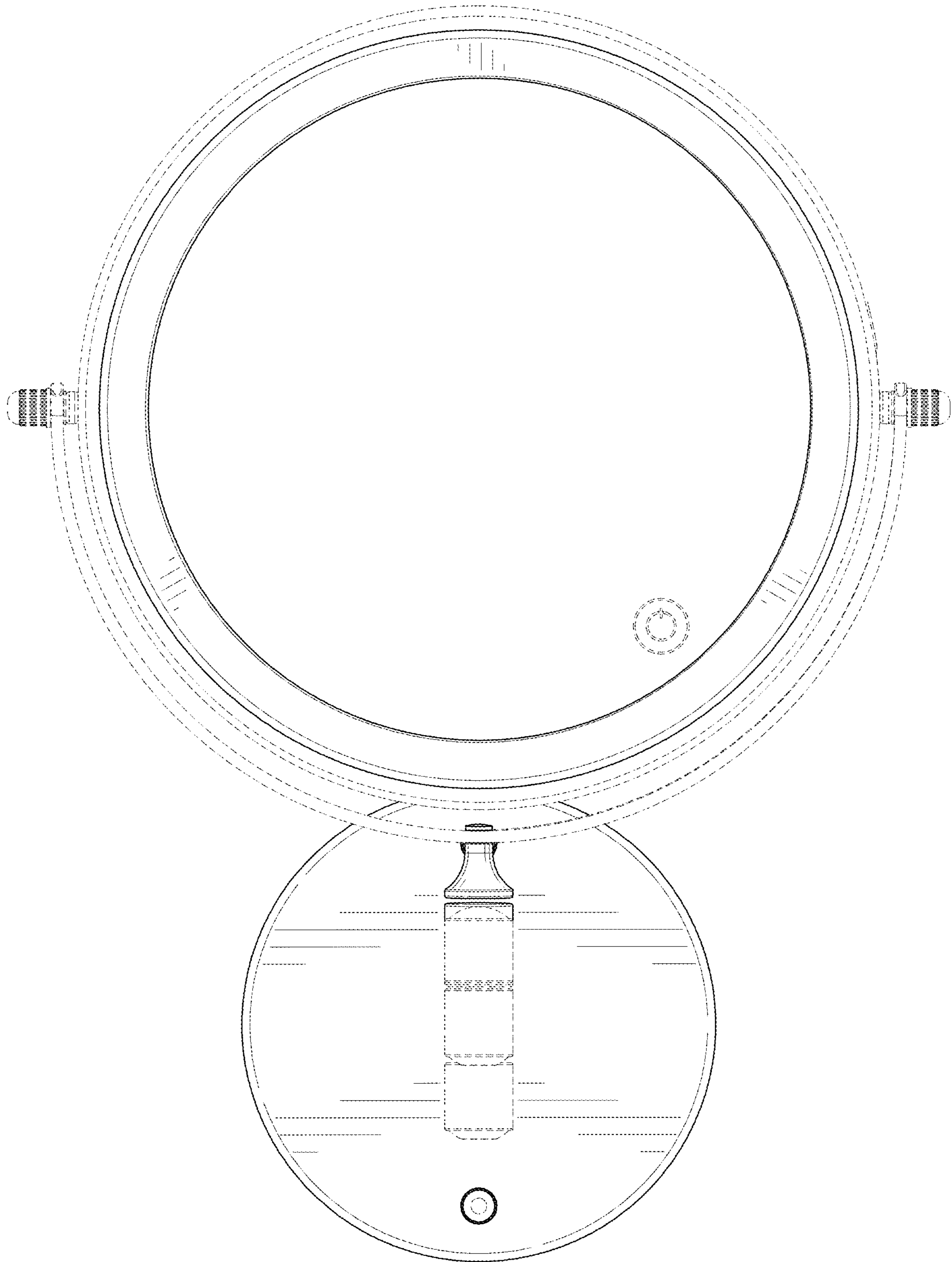


FIG. 3

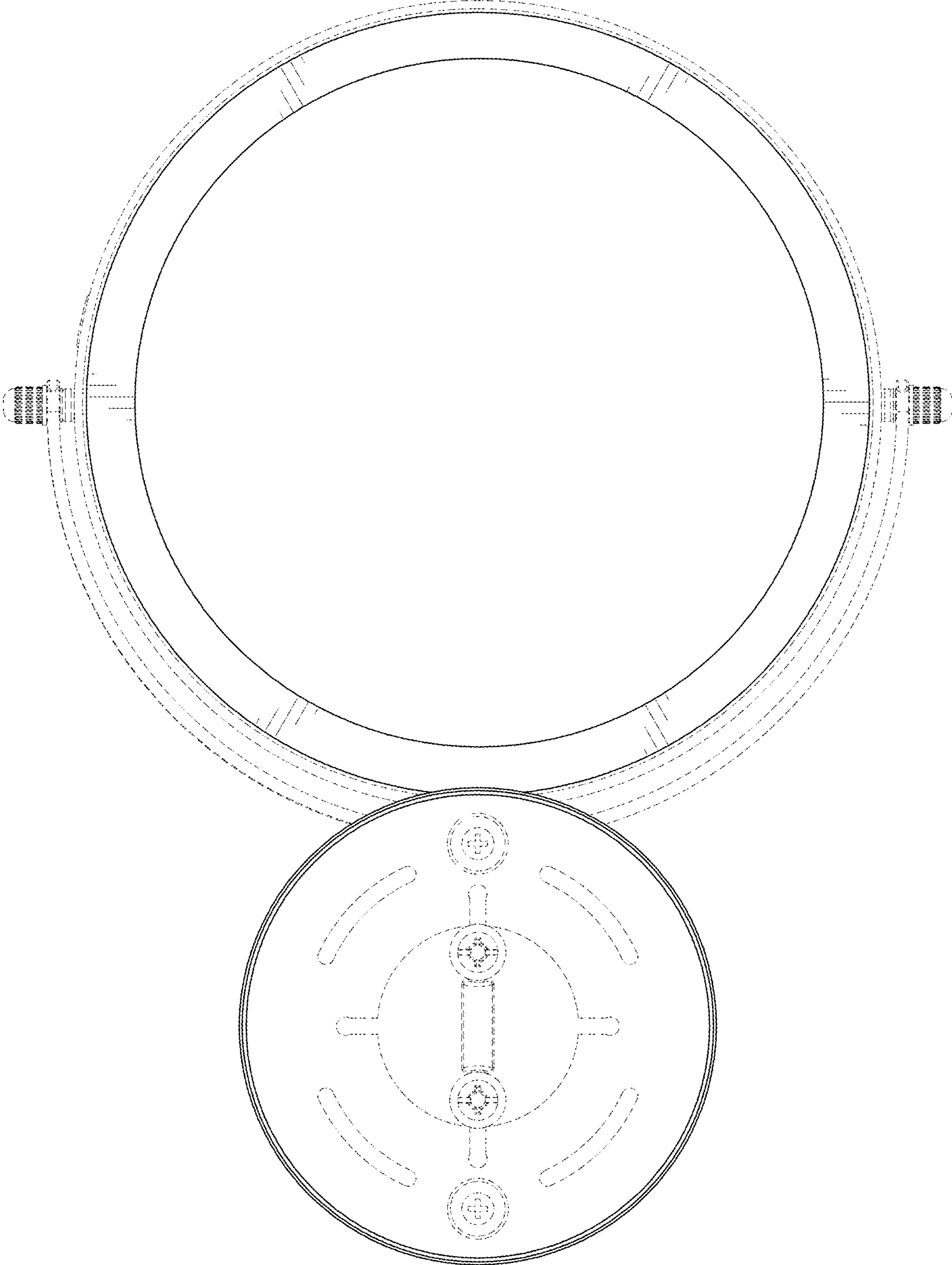


FIG. 4

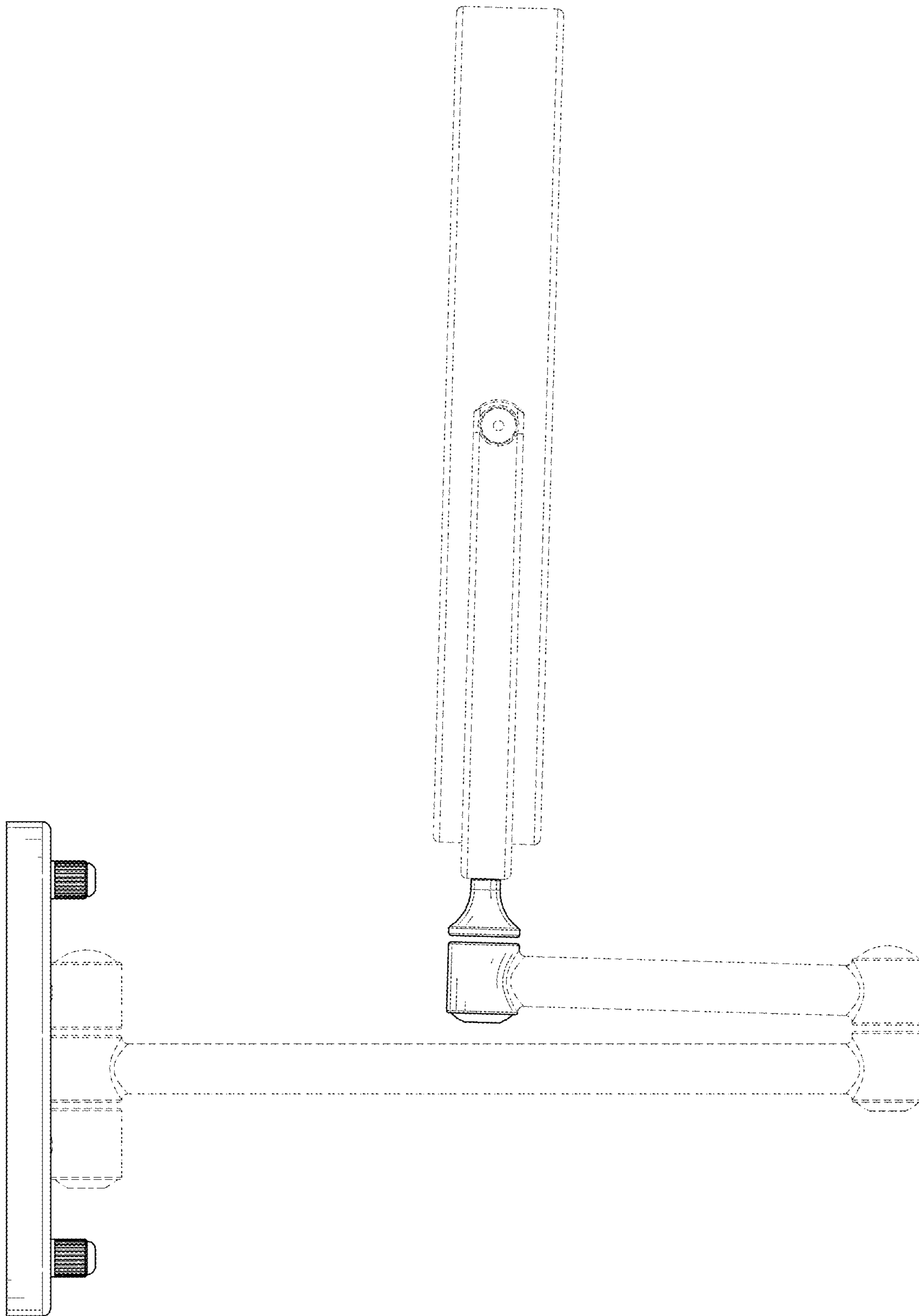


FIG. 5

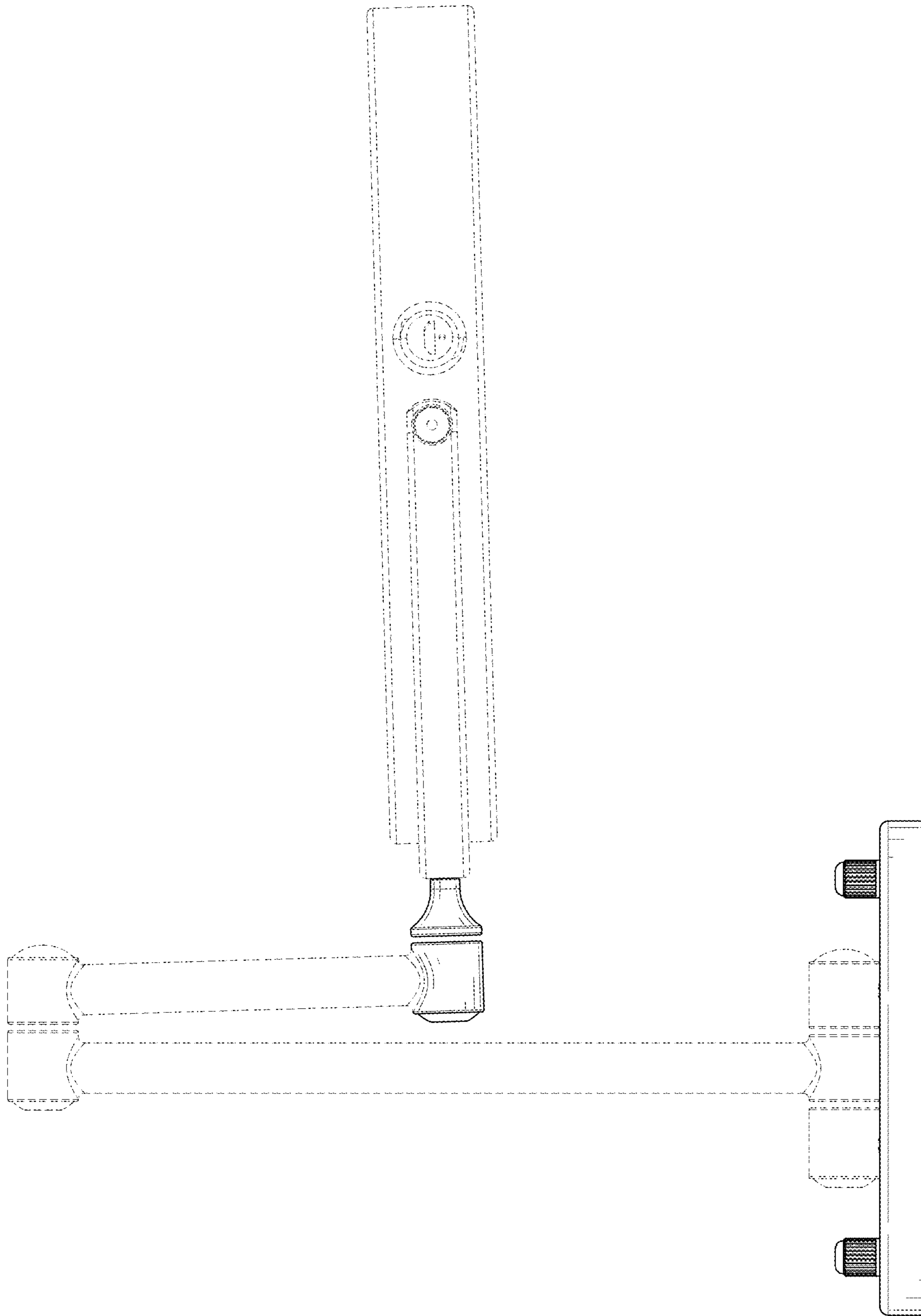


FIG. 6

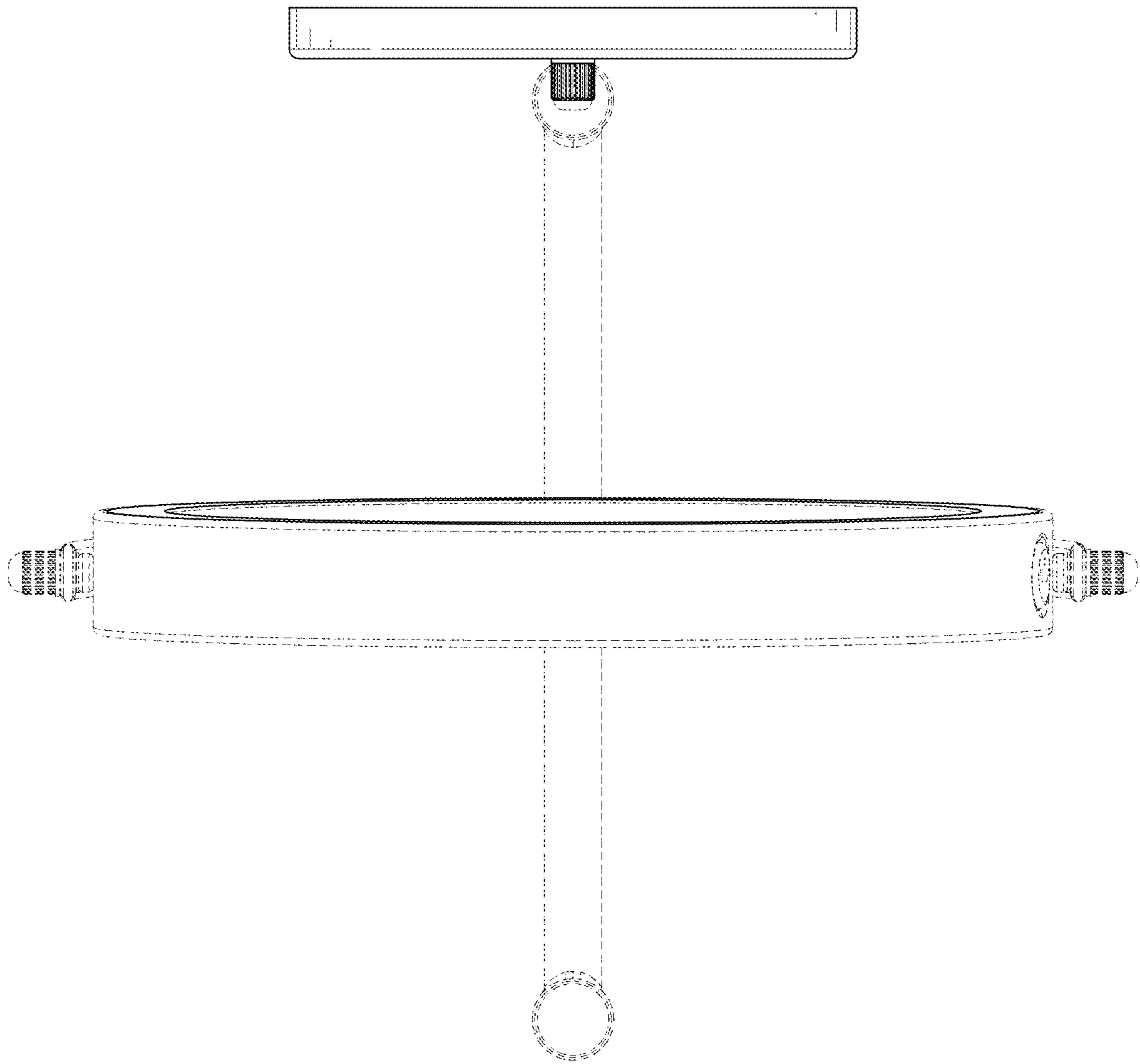


FIG. 7

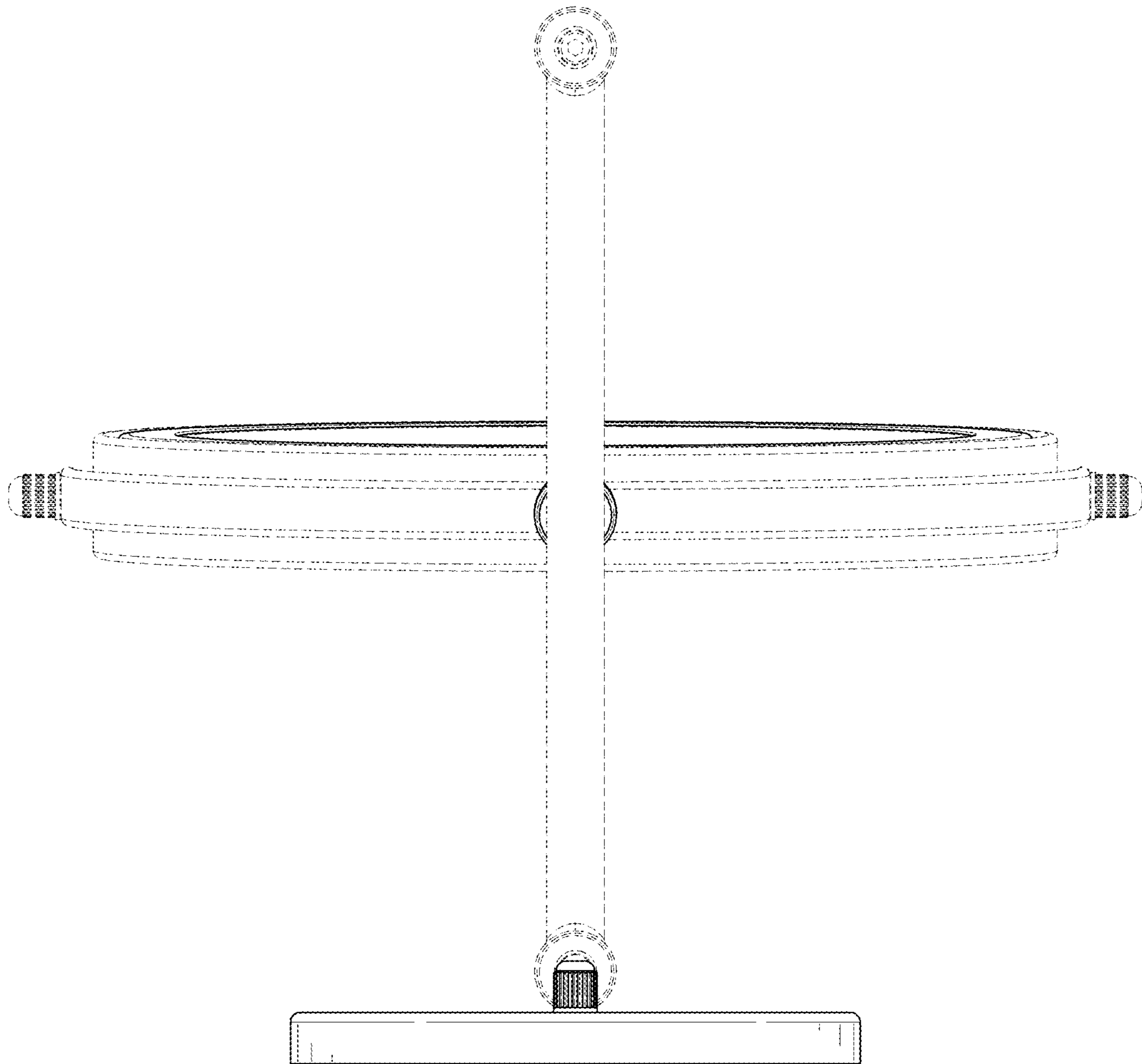


FIG. 8

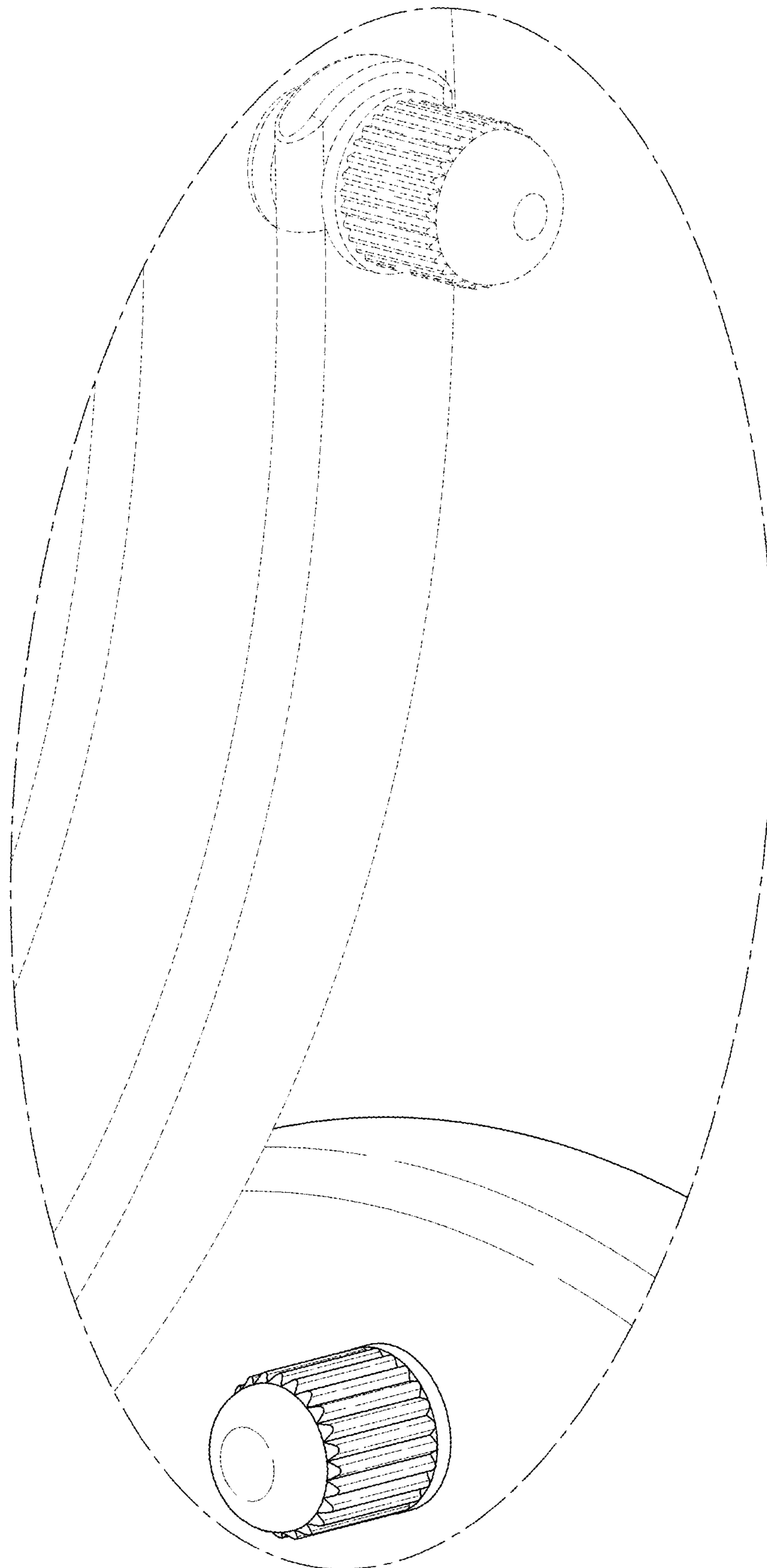


FIG. 9