



US00D932196S

(12) **United States Design Patent**
Chen

(10) **Patent No.:** **US D932,196 S**
(45) **Date of Patent:** **** Oct. 5, 2021**

(54) **POT BRUSH**

FOREIGN PATENT DOCUMENTS

(71) Applicant: **Fujian Meizhikou Houseware Co., Ltd**, Fuzhou (CN)

CN 305701957 * 4/2020

* cited by examiner

(72) Inventor: **Naihua Chen**, Fuzhou (CN)

Primary Examiner — Karen E Eldridge Powers

(73) Assignee: **Fujian Meizhikou Houseware Co., Ltd**, Fuzhou (CN)

(74) *Attorney, Agent, or Firm* — ScienBiziP, P.C.

(**) Term: **15 Years**

(57) **CLAIM**

(21) Appl. No.: **29/711,878**

The ornamental design for a pot brush, as shown and described.

(22) Filed: **Nov. 4, 2019**

(51) **LOC (13) Cl.** **04-01**

DESCRIPTION

(52) **U.S. Cl.**

USPC **D4/138**; D4/133

(58) **Field of Classification Search**

USPC D4/100, 102, 114, 115, 116, 117, 118, D4/119, 120, 121, 122, 123, 124, 125, D4/126, 127, 128, 129, 130, 131, 132, D4/133, 134, 135, 136, 137, 138, 199; D32/40, 50, 51, 52

CPC ... A46B 2200/3033; A46B 5/026; A46B 7/04; B08B 1/002; A47L 13/00; A47L 17/04; A47L 1/08

See application file for complete search history.

(56) **References Cited**

U.S. PATENT DOCUMENTS

- 3,383,158 A * 5/1968 Leland A47K 11/10 401/201
- 3,560,101 A * 2/1971 Leland A47L 13/29 206/361
- D281,123 S * 10/1985 Frassanito D4/114
- D524,549 S * 7/2006 Ajluni D4/128
- D699,039 S * 2/2014 Ono D4/132
- D699,040 S * 2/2014 Ono D4/132
- 10,674,811 B2 * 6/2020 Mart A46B 15/0065
- 2002/0007527 A1 * 1/2002 Hart A47K 11/10 15/104.94

FIG. 1 is a top, front and left side perspective view of a pot brush showing my design.

FIG. 2 is a bottom, rear and right side perspective view thereof.

FIG. 3 is a front elevation view thereof.

FIG. 4 is a rear elevation view thereof.

FIG. 5 is a left side elevation view thereof.

FIG. 6 is a right side elevation view thereof.

FIG. 7 is a top plan view thereof.

FIG. 8 is a bottom plan view thereof.

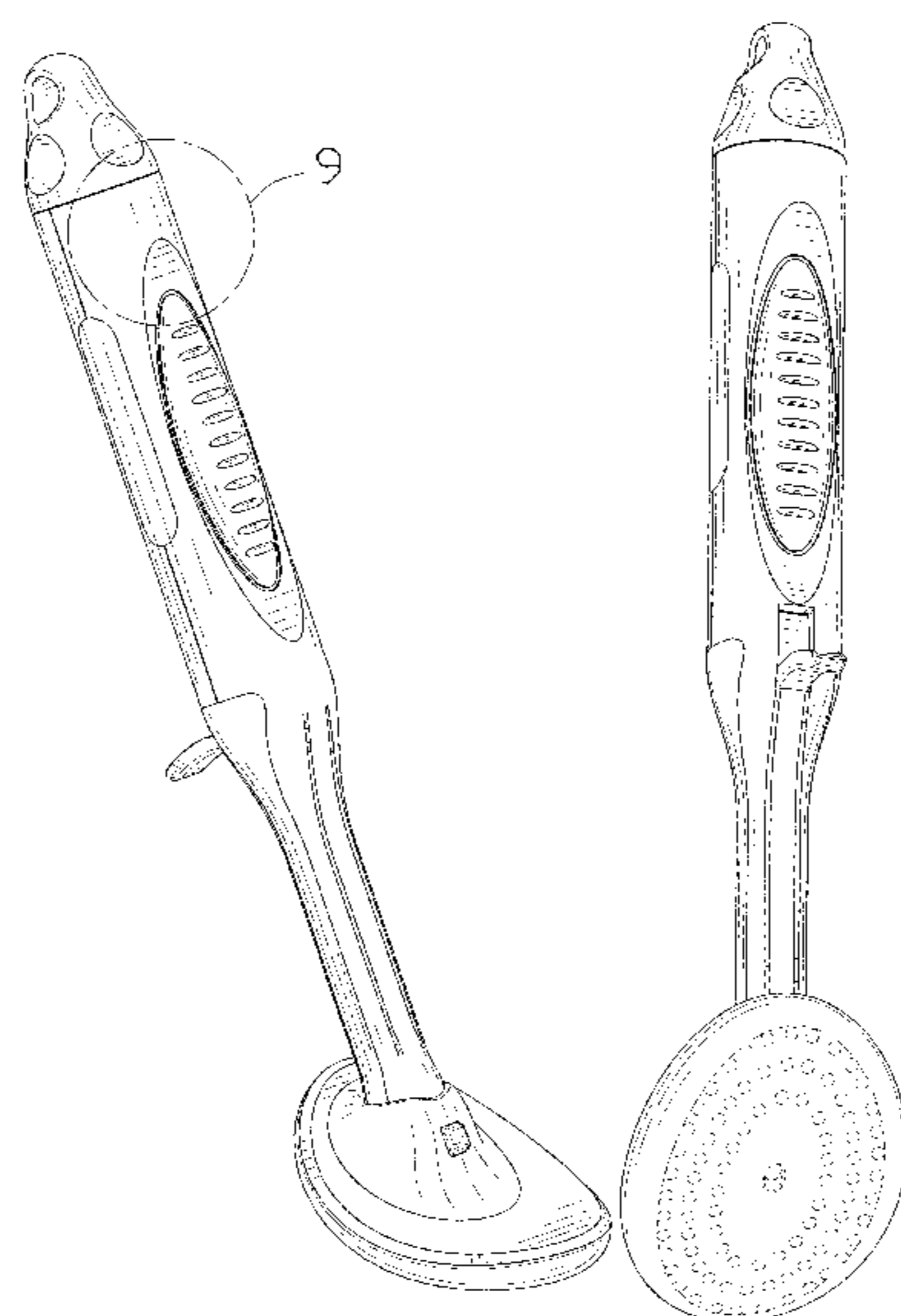
FIG. 9 is an enlarged view of an area labeled 9 in FIG. 1.

FIG. 10 is a front, top and left side perspective view illustrating the appearance of the claimed design in conjunction with a sponge-type brush head; and,

FIG. 11 is a front, top and left side perspective view illustrating the appearance of the claimed design in conjunction with a bristled brush head.

The short and uniformly-incremented broken lines illustrate features of the article of manufacture. The long-short broken lines illustrate the boundaries of the portion of FIG. 1 that is later shown in FIG. 9, as well as the bounds of the enlarged detail view that is FIG. 9. None of the elements shown in broken lines form part of the claimed design.

1 Claim, 11 Drawing Sheets



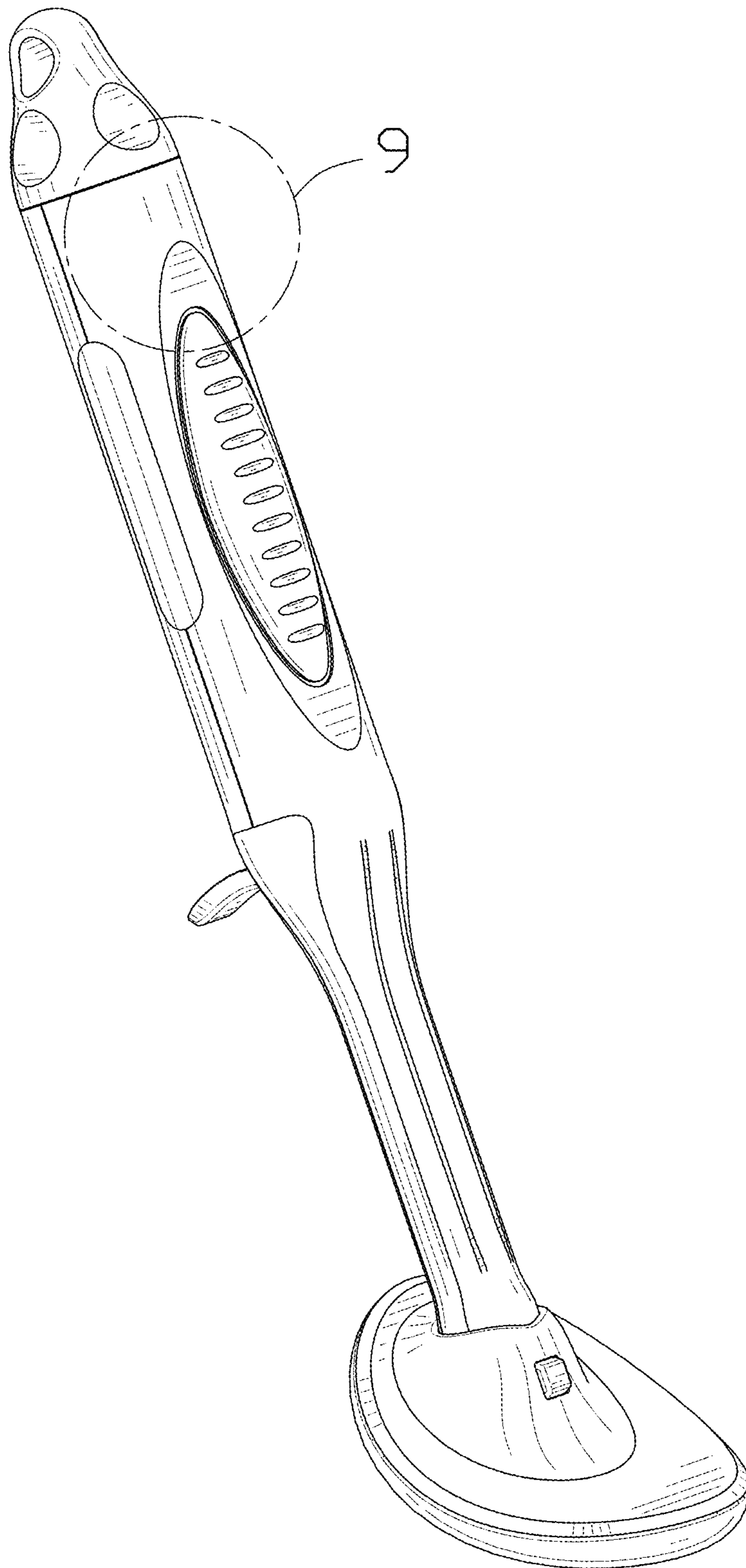


FIG. 1

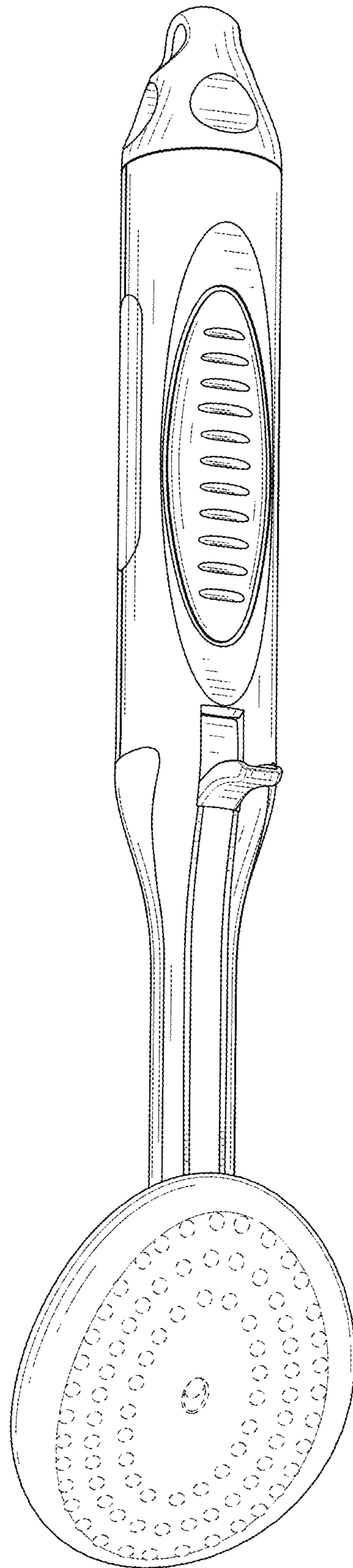


FIG. 2

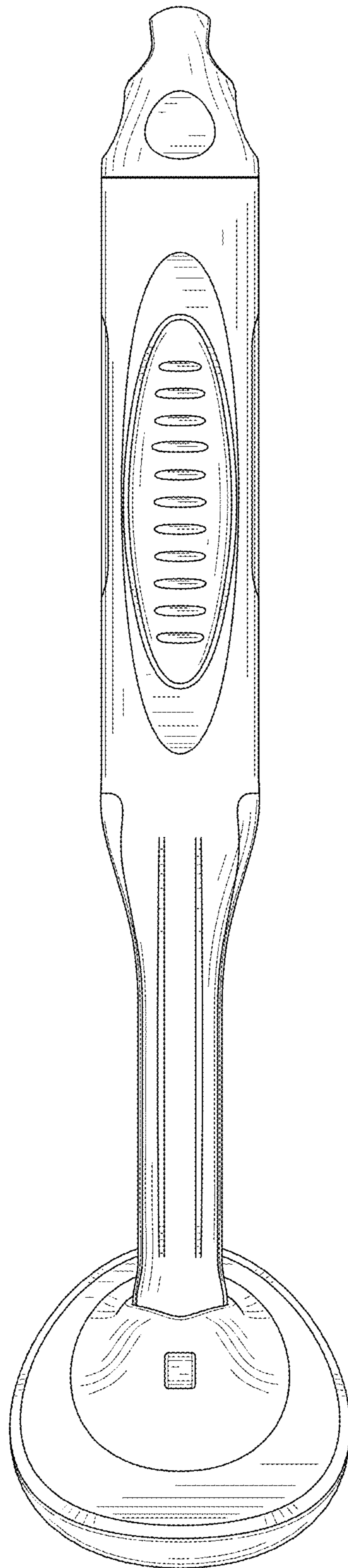


FIG. 3

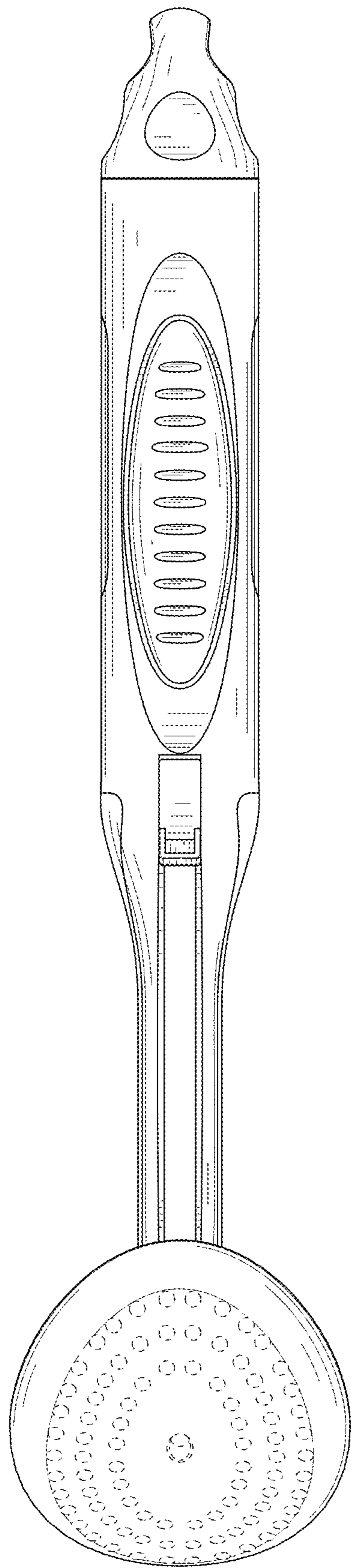


FIG. 4

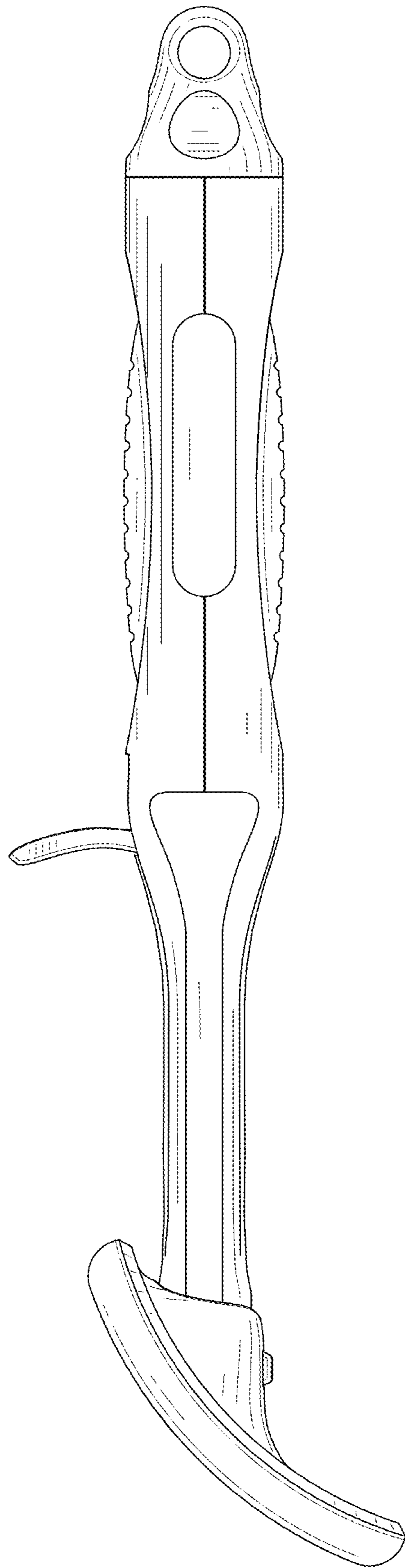


FIG. 5

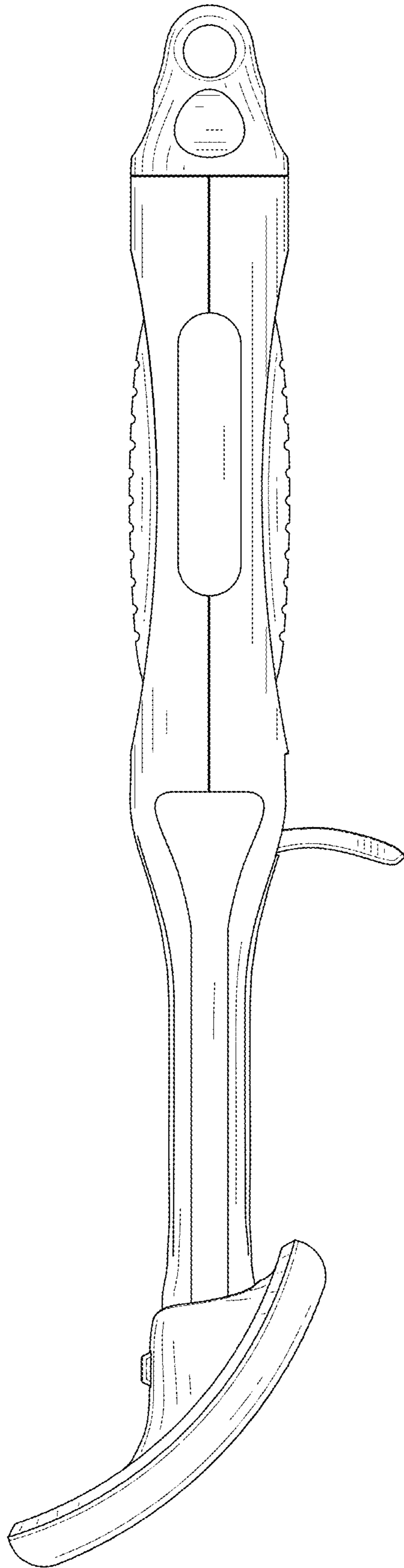


FIG. 6

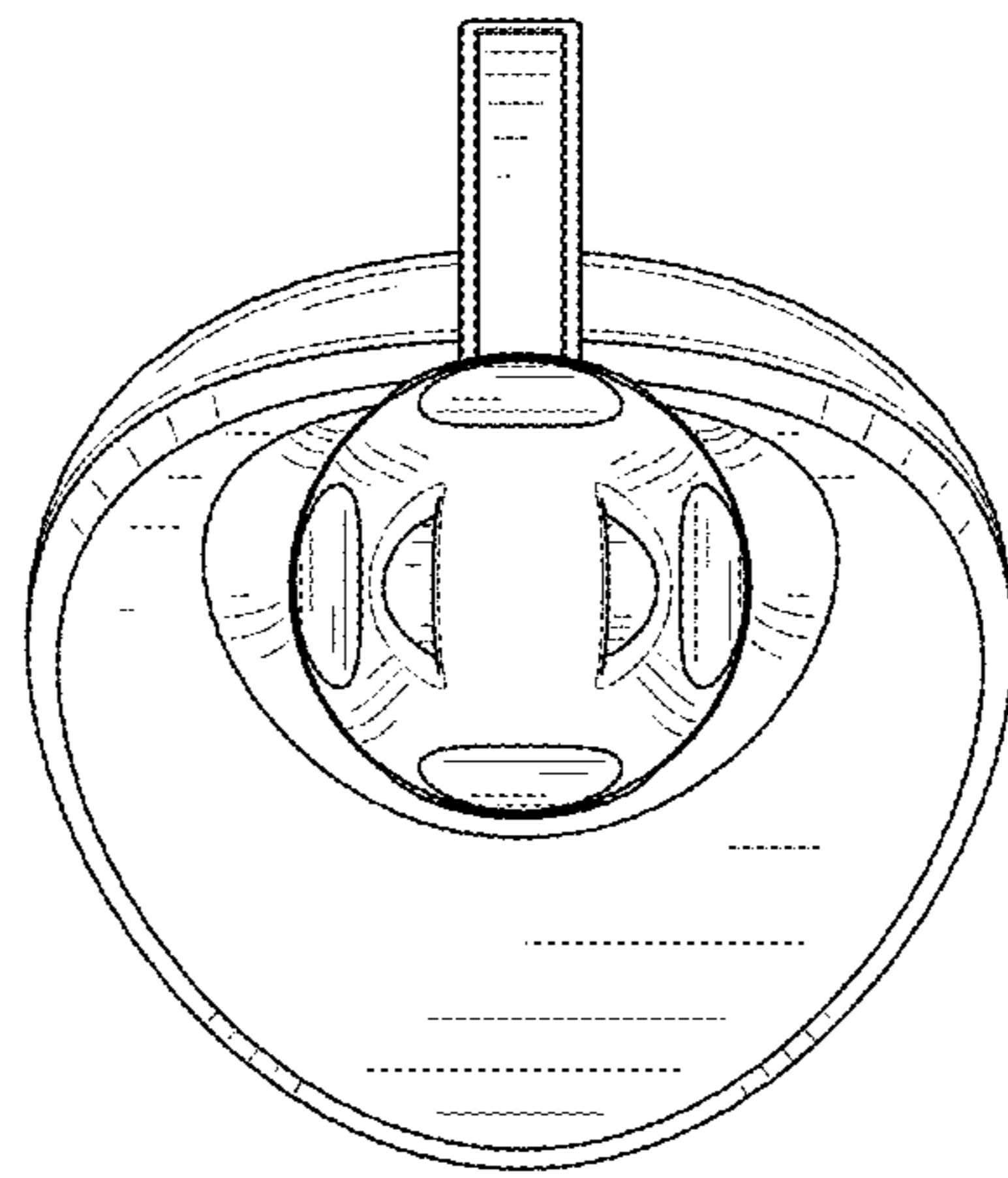


FIG. 7

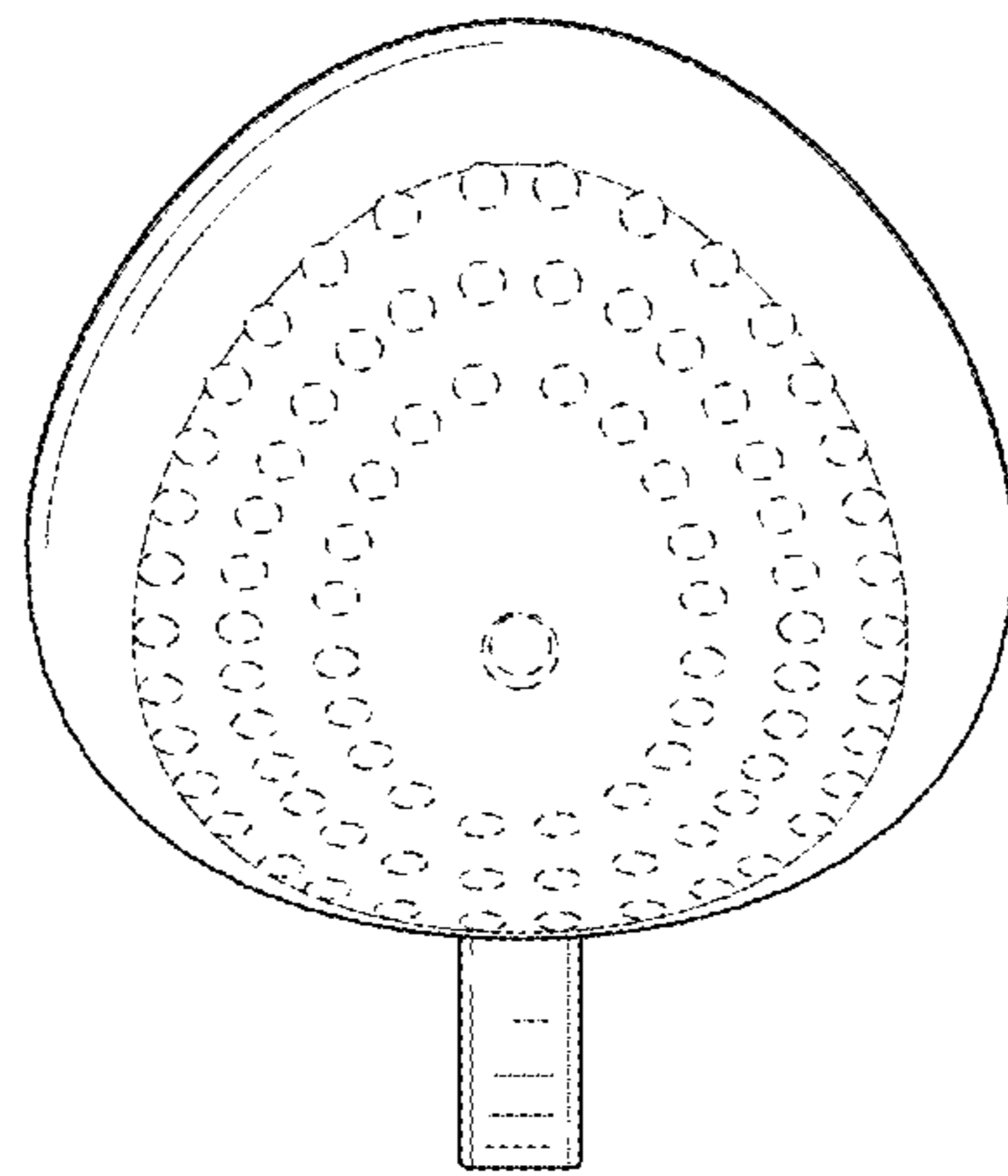


FIG. 8

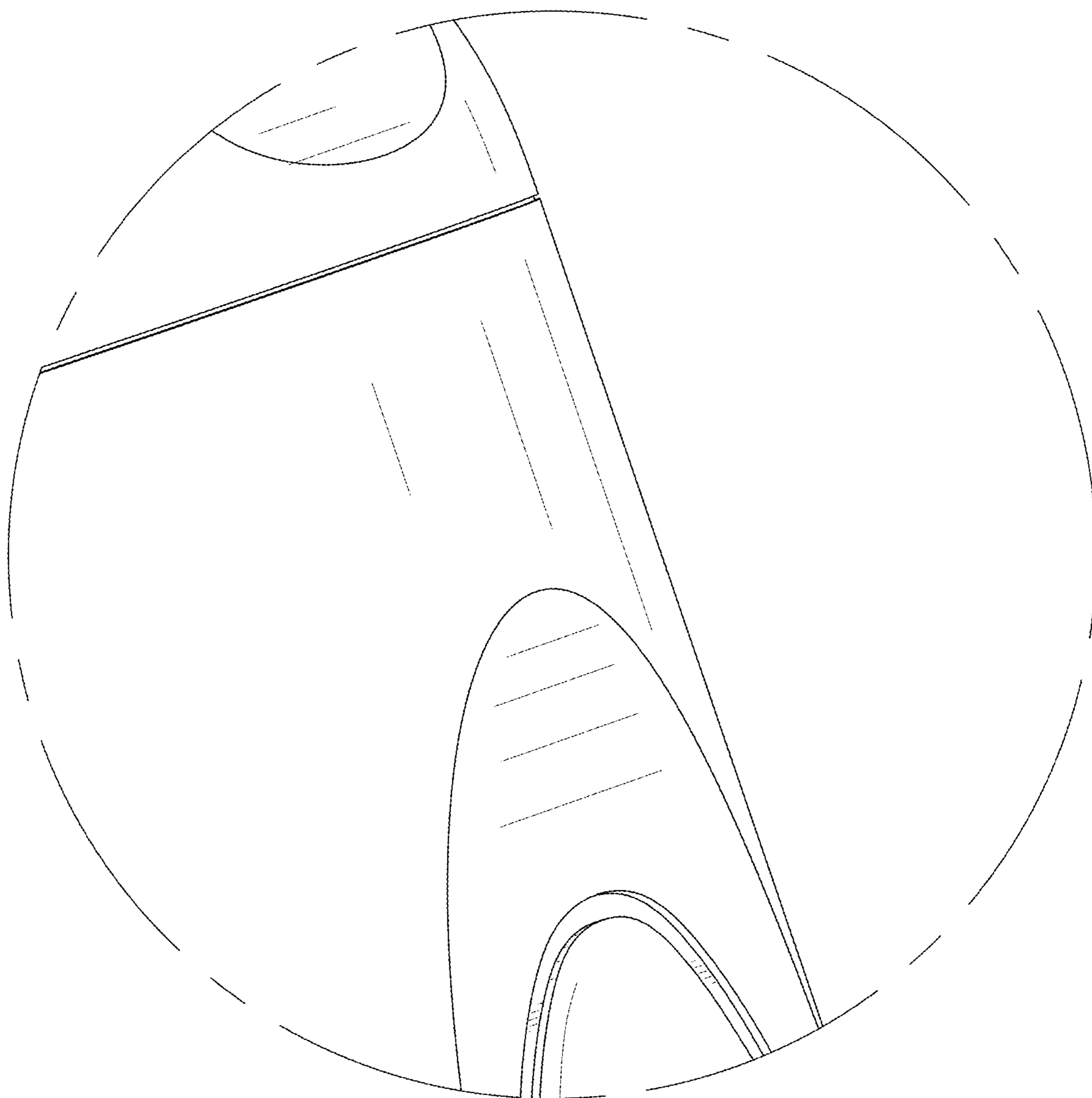


FIG. 9

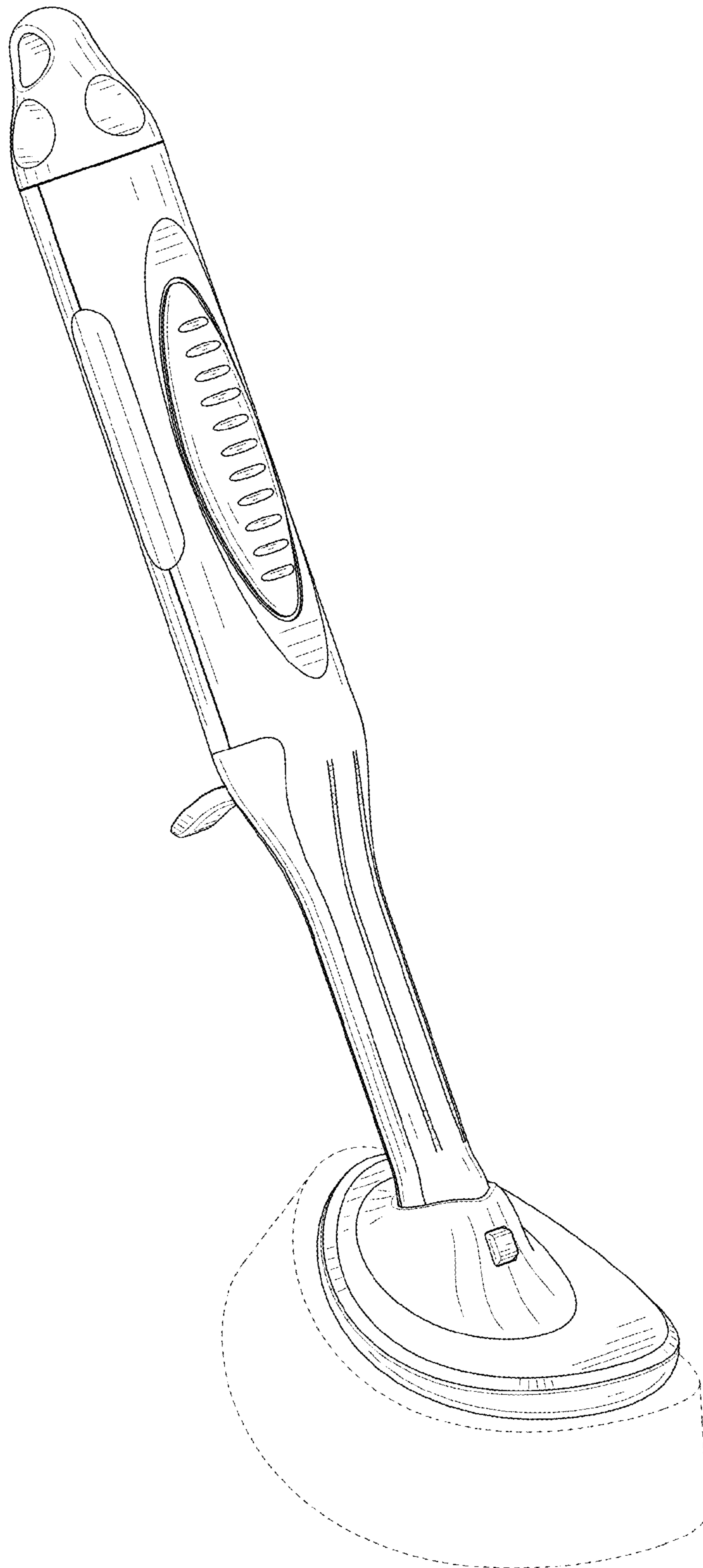


FIG. 10

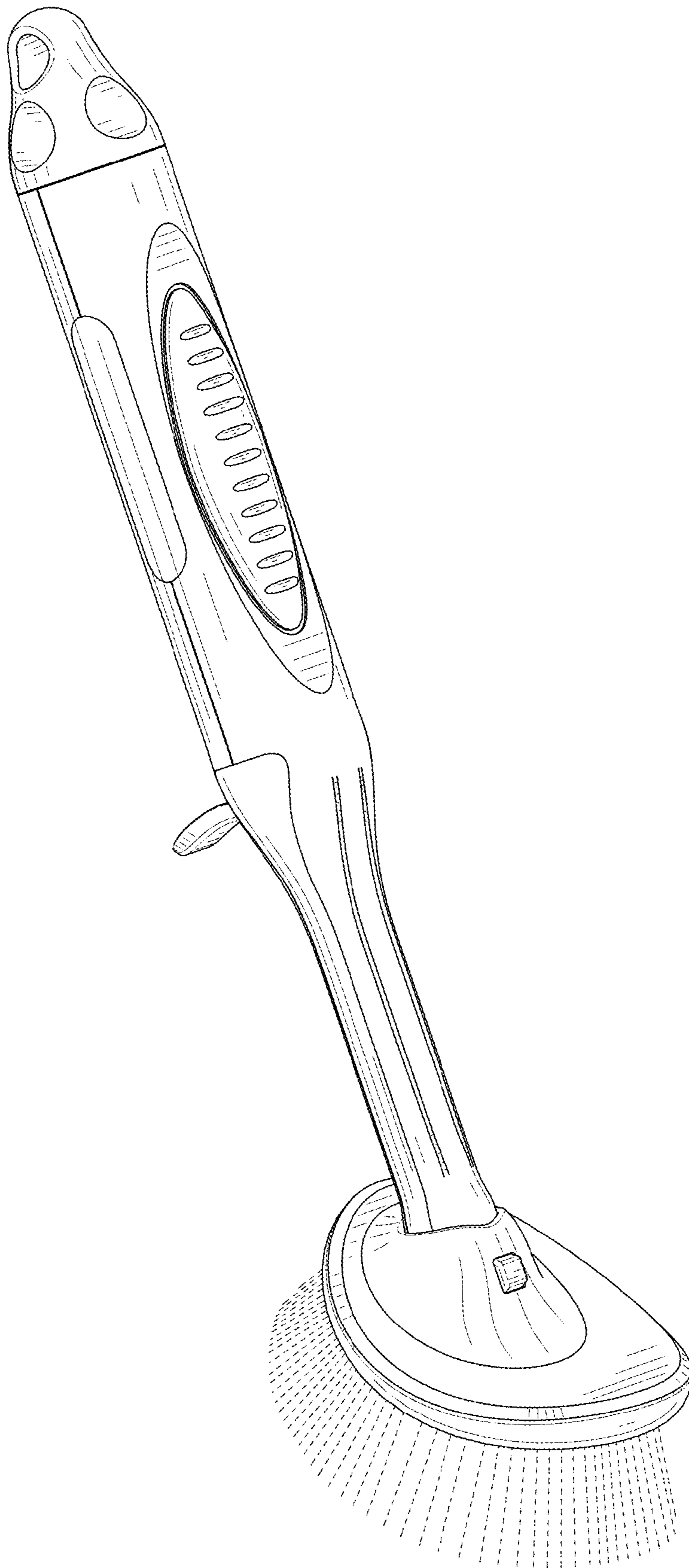


FIG. 11