



US00D932194S

(12) **United States Design Patent**  
**Gao**

(10) **Patent No.:** **US D932,194 S**

(45) **Date of Patent:** **\*\* Oct. 5, 2021**

- (54) **WIRE BRUSH TRIMMER**
- (71) Applicant: **Shanxi Ruijie Technology Co., Ltd.,**  
Shanxi (CN)
- (72) Inventor: **Yangjuan Gao, Shanxi (CN)**
- (73) Assignee: **Shanxi Ruijie Technology Co., Ltd.,**  
Shanxi (CN)
- (\*\*) Term: **15 Years**
- (21) Appl. No.: **29/765,760**
- (22) Filed: **Jan. 11, 2021**
- (51) **LOC (13) Cl.** ..... **04-02**
- (52) **U.S. Cl.**  
USPC ..... **D4/128**
- (58) **Field of Classification Search**  
USPC ..... D4/128, 129, 131, 136, 138, 108, 109,  
D4/119; D32/35, 51; 15/104.5, 104.16,  
15/104.2, 104.31, 104.32, 164, 165, 206;  
D28/65; D7/682; 452/298, 458  
CPC ..... A46B 7/026; A46B 5/005; A46B 17/04;  
A46B 2200/1046  
See application file for complete search history.

D782,757 S	3/2017	Andersen	
D811,749 S *	3/2018	Cohen .....	D4/128
D821,756 S *	7/2018	Adams .....	D4/128
D833,155 S *	11/2018	Lien .....	D4/128
D836,919 S *	1/2019	Cooper .....	D4/128
D893,887 S *	8/2020	Antler .....	D4/128
D897,688 S *	10/2020	Li .....	D4/128
D902,491 S *	11/2020	de la Cruz .....	D28/63
D925,831 S *	7/2021	Yue .....	D28/63
D925,924 S *	7/2021	Kanakis .....	D4/128

\* cited by examiner

*Primary Examiner* — Austin Murphy  
(74) *Attorney, Agent, or Firm* — ScienBiziP, P.C.

(57) **CLAIM**

The ornamental design for a wire brush trimmer, as shown and described.

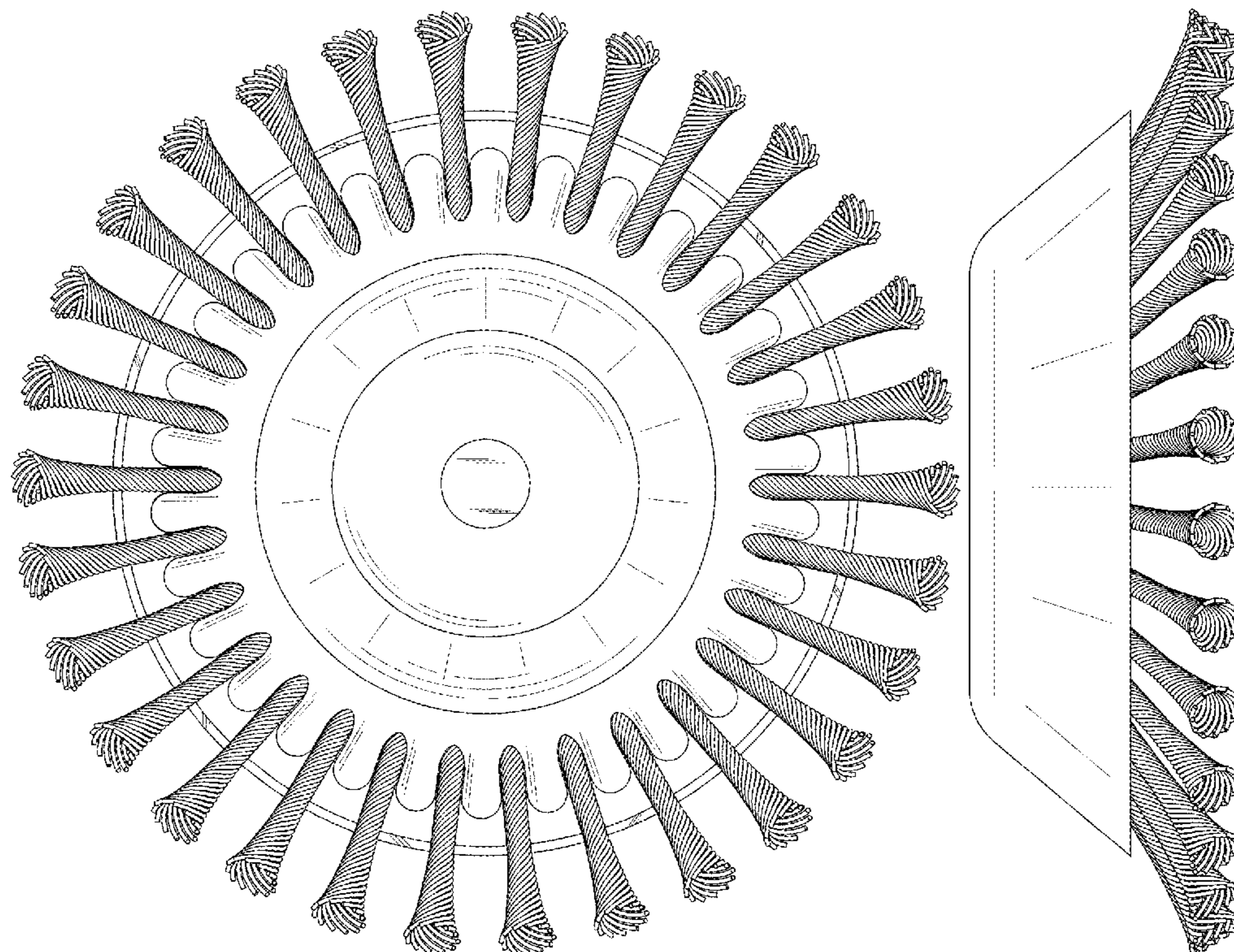
**DESCRIPTION**

FIG. 1 is a front, right, and top perspective view of a wire brush trimmer, showing my design.  
 FIG. 2 is a front elevation view thereof.  
 FIG. 3 is a rear elevation view thereof.  
 FIG. 4 is a left side elevation view thereof.  
 FIG. 5 is a right side elevation view thereof.  
 FIG. 6 is a top plan view thereof.  
 FIG. 7 is a bottom plan view thereof; and,  
 FIG. 8 is a partial enlarged view of a wire brush labeled 8 in FIG. 1.

The broken lines shown in the drawings are included for the purpose of illustrating portions of the wire brush trimmer that form no part of the claimed design.

**1 Claim, 8 Drawing Sheets**

- (56) **References Cited**  
U.S. PATENT DOCUMENTS  
6,244,947 B1 \* 6/2001 Van Osenbruggen ... A46B 9/06  
15/141.2  
D625,924 S \* 10/2010 Juergens ..... D4/128  
D767,901 S 10/2016 Stinson





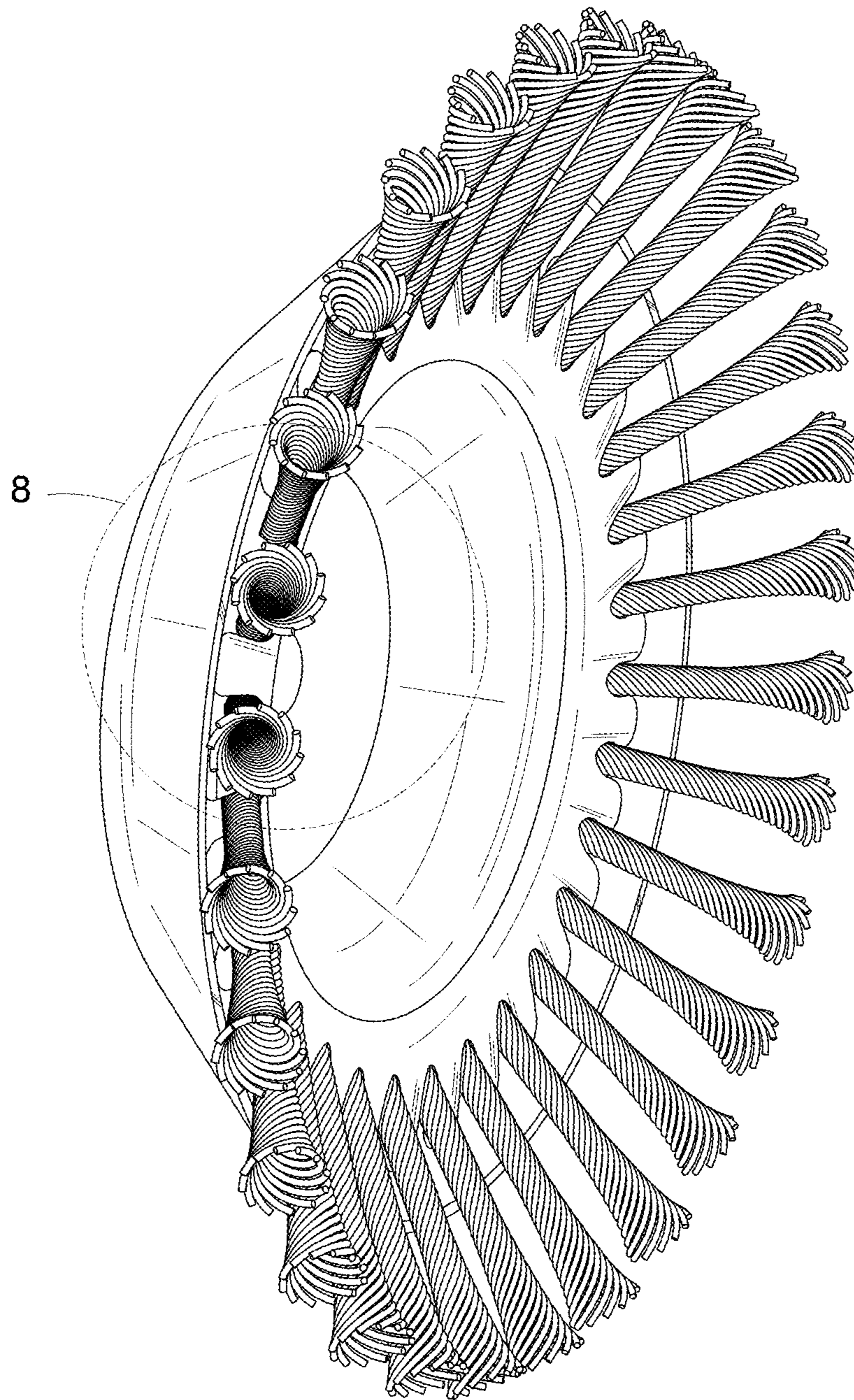


FIG. 1



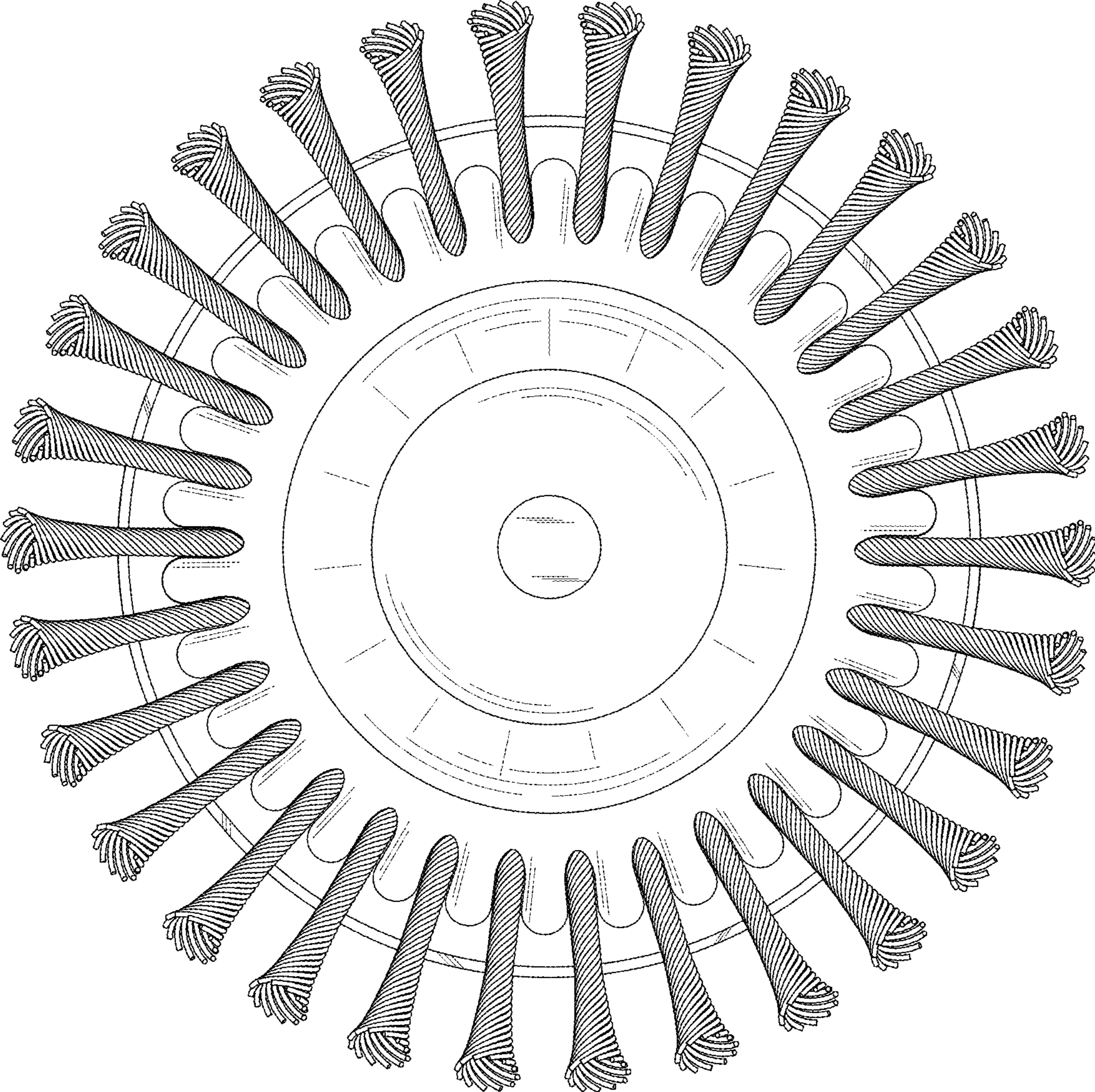


FIG.2

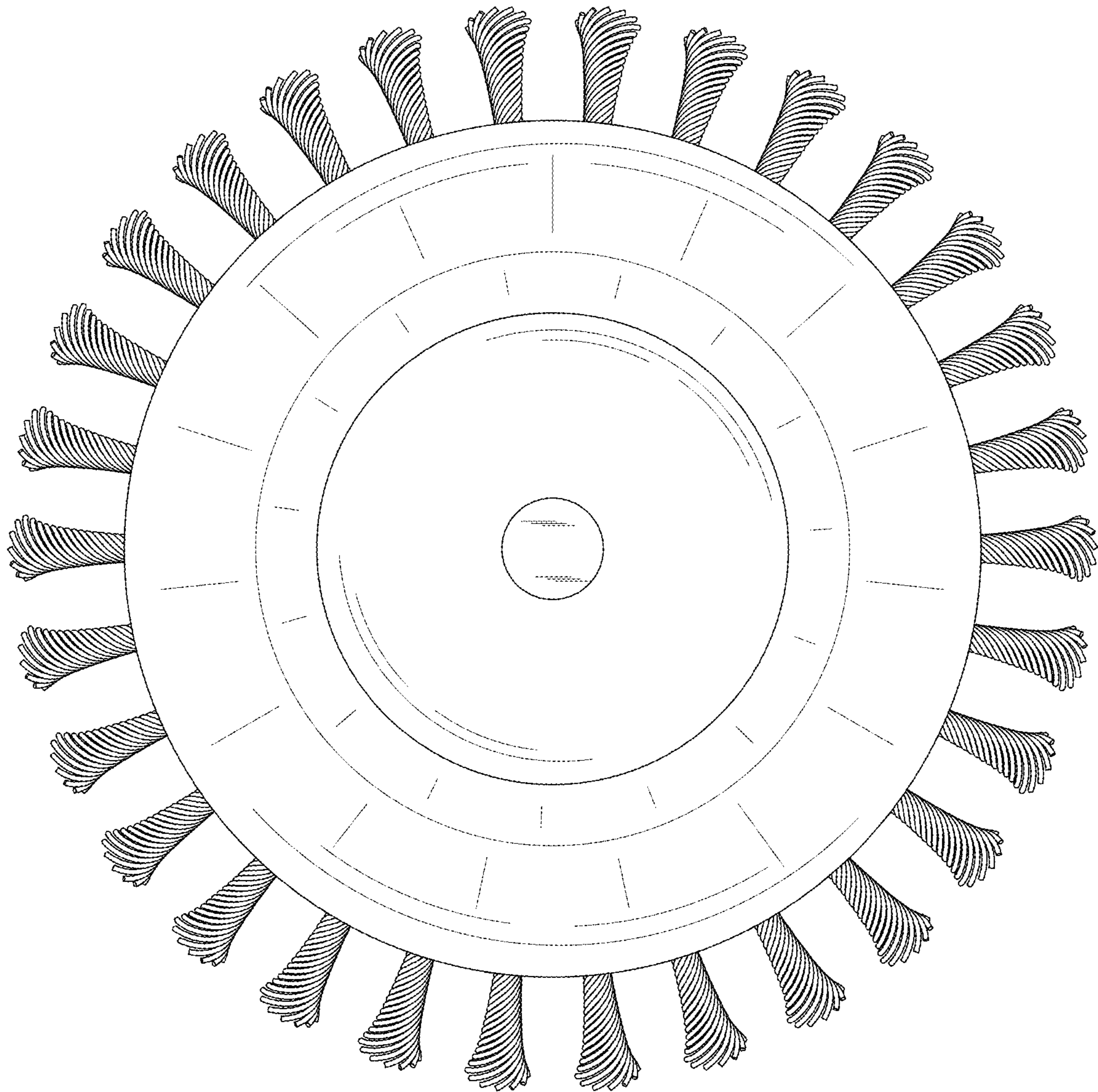


FIG.3



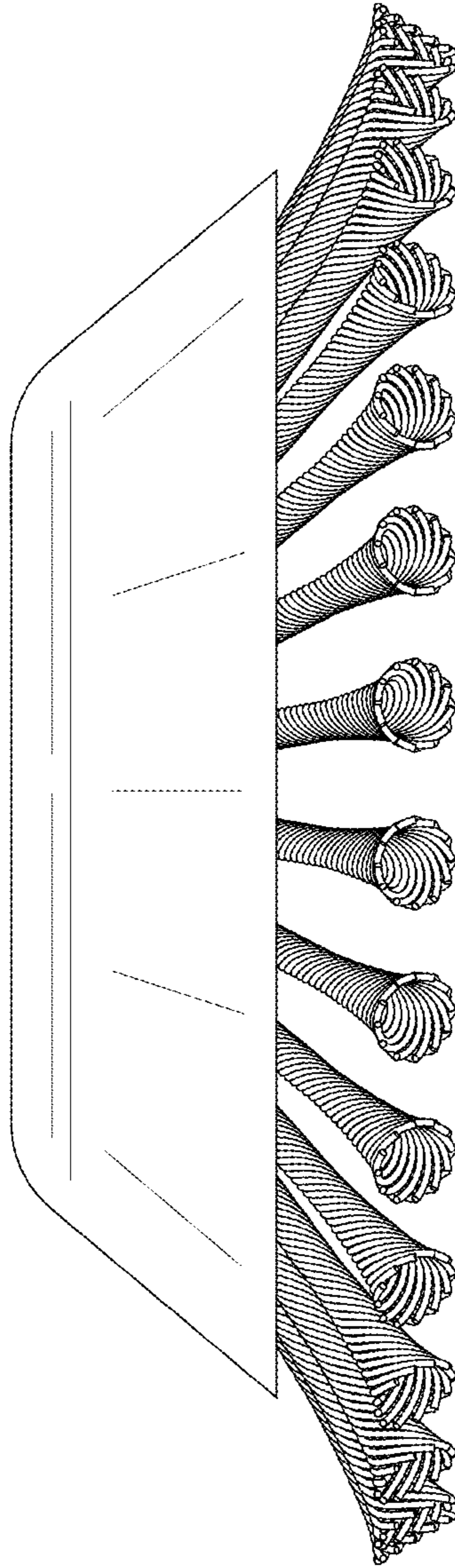


FIG.4

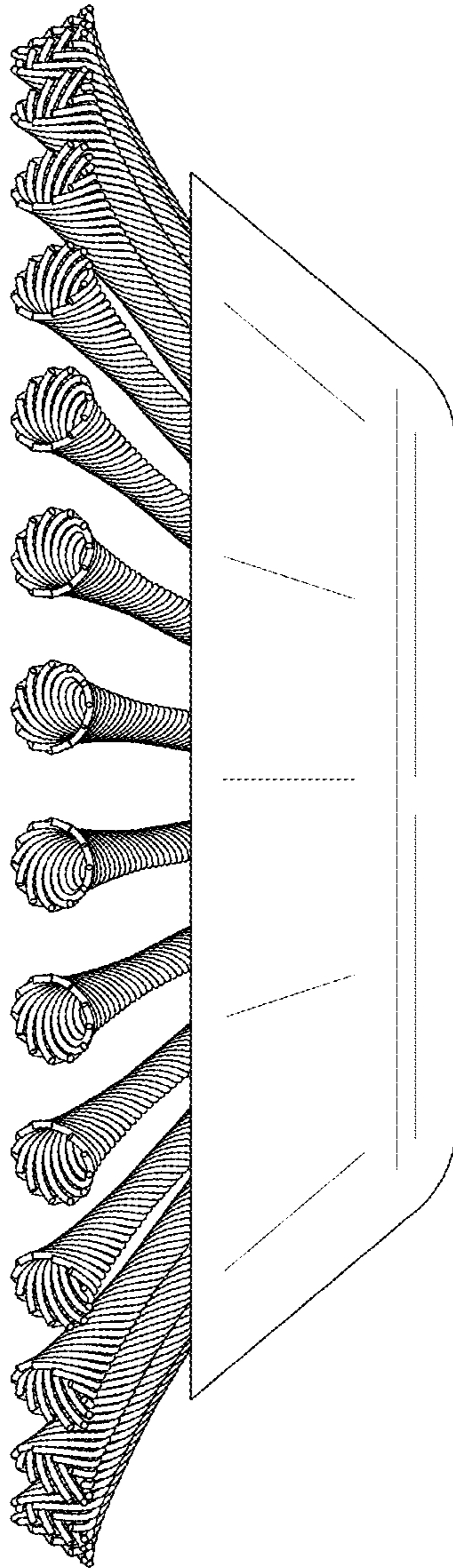


FIG.5

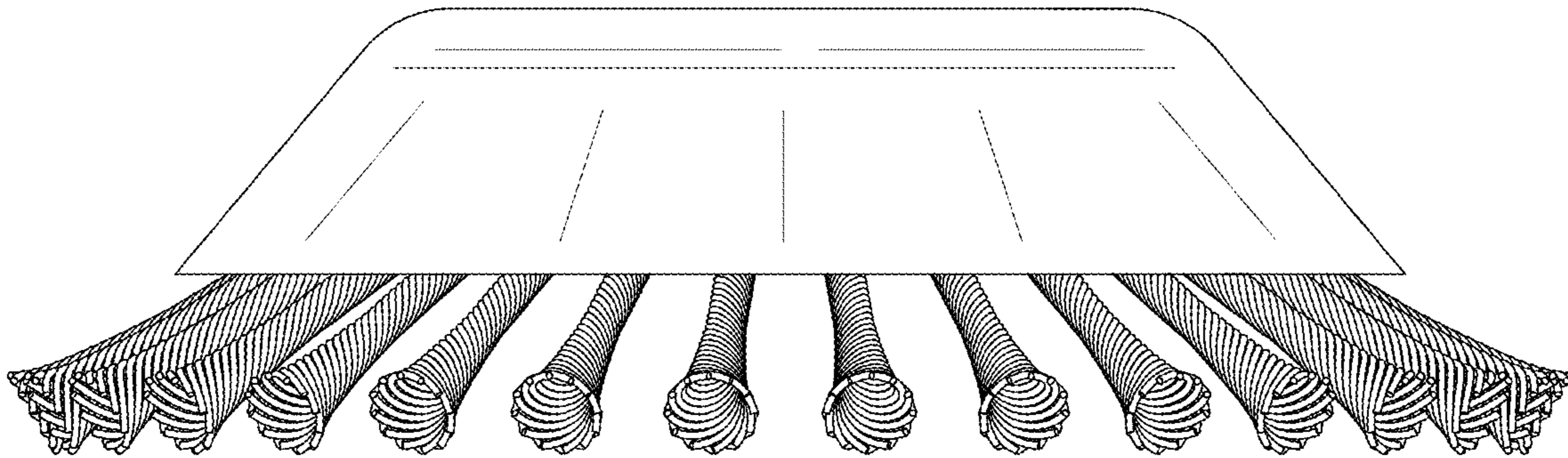


FIG.6

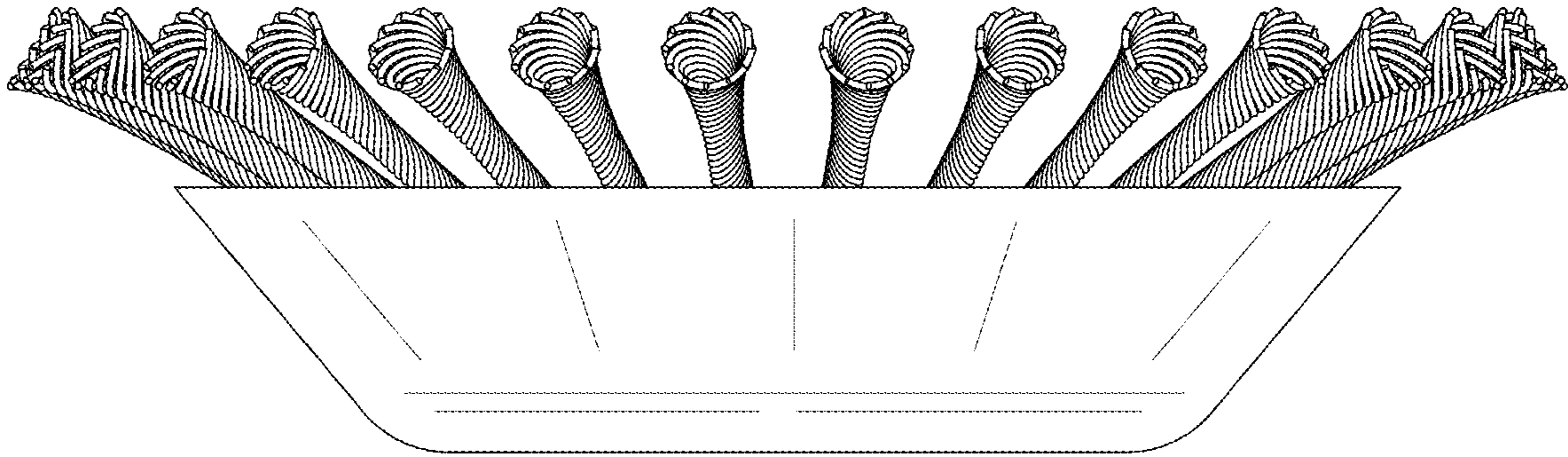


FIG.7



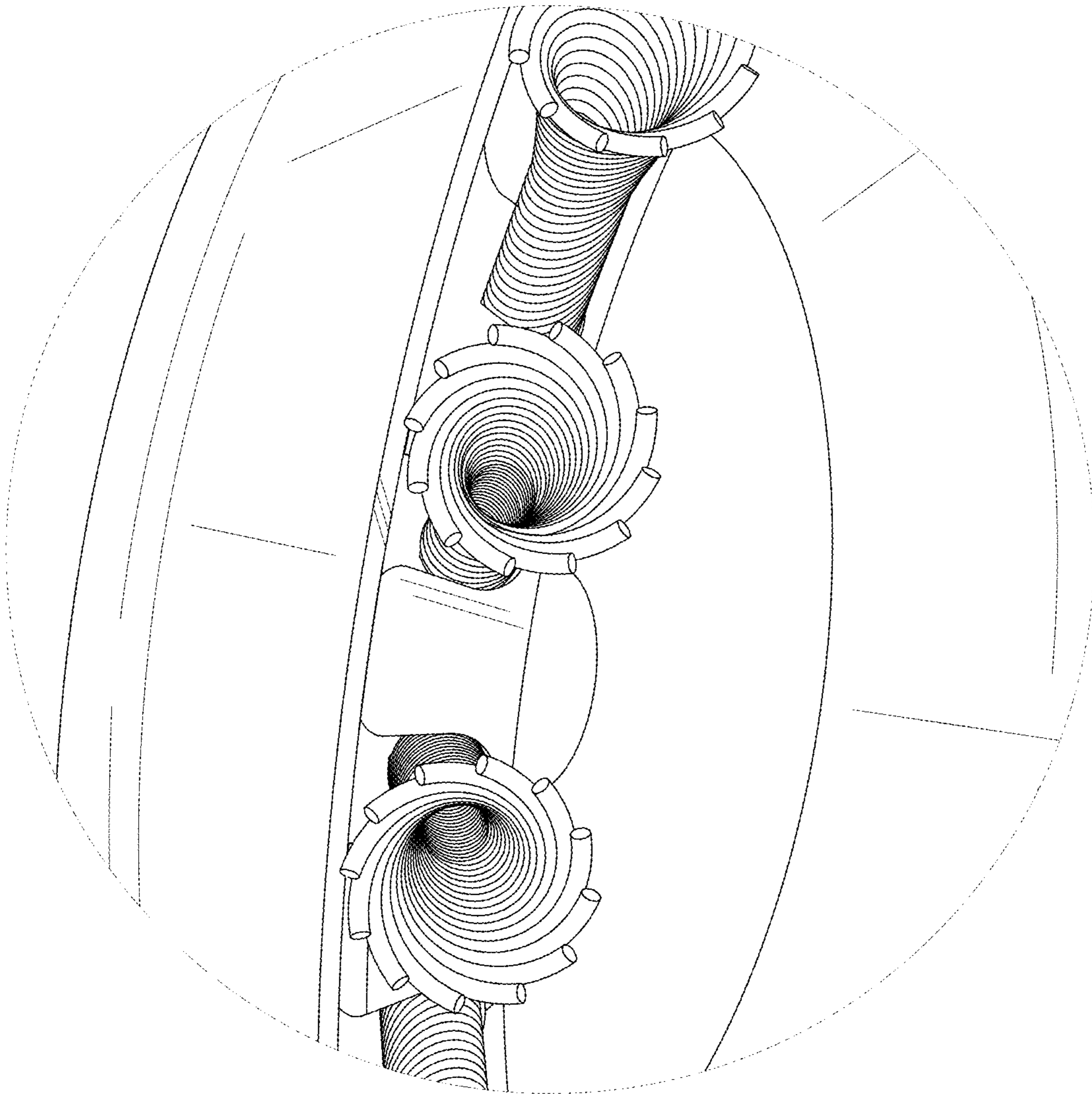


FIG.8