



US00D932192S

(12) **United States Design Patent** (10) **Patent No.:** **US D932,192 S**
Li (45) **Date of Patent:** **** Oct. 5, 2021**

(54) **TOOTHBRUSH**
(71) Applicant: **Zongyuan Li**, Guangdong (CN)
(72) Inventor: **Zongyuan Li**, Guangdong (CN)
(**) Term: **15 Years**
(21) Appl. No.: **29/730,602**
(22) Filed: **Apr. 7, 2020**

6,094,768 A * 8/2000 Hugon A46B 5/00
15/143.1
6,493,897 B2 * 12/2002 Culbreth A46B 9/04
15/167.1
7,134,162 B2 * 11/2006 Kweon A46B 9/045
15/167.1
D698,157 S * 1/2014 Bauernfeind D4/104
D780,460 S * 3/2017 Djemouai D4/110
D781,590 S * 3/2017 Xu D4/104
10,517,384 B2 * 12/2019 Davies-Smith A46B 11/0062
D912,996 S * 3/2021 McClain D5/58
2006/0021166 A1 * 2/2006 Hills A61C 17/26
15/23

(30) **Foreign Application Priority Data**

Dec. 24, 2019 (CN) 201930721956.4

(51) **LOC (13) Cl.** **04-02**

(52) **U.S. Cl.**
USPC **D4/110**

(58) **Field of Classification Search**
USPC D4/100, 101, 102, 104, 105, 106, 107,
D4/108, 109, 110, 111, 112, 113, 114,
D4/115, 116, 17, 118, 119, 120, 121, 127,
D4/128, 129, 130, 131, 132, 133, 134,
D4/135, 136, 137, 138, 199; D30/158
CPC A46B 2200/1066; A46B 5/02; A46B 9/04;
A46B 2200/1073; A46B 2200/1086;
A61C 17/22

See application file for complete search history.

(56) **References Cited**

U.S. PATENT DOCUMENTS

D56,858 S * 1/1921 Cahill D4/105
2,697,239 A * 12/1954 Funk A46B 9/04
15/167.1
3,100,309 A * 8/1963 Gambino A46B 9/04
15/167.1
4,457,039 A * 7/1984 Massari A46B 5/02
15/143.1
D281,375 S * 11/1985 Konjovic D4/104
D282,603 S * 2/1986 Piero D4/108

FOREIGN PATENT DOCUMENTS

CN 304585545 * 4/2018
CN 305784391 * 5/2020
CN 306445852 * 4/2021
KR 300925907.0000 * 10/2017

* cited by examiner

Primary Examiner — Karen E Eldridge Powers

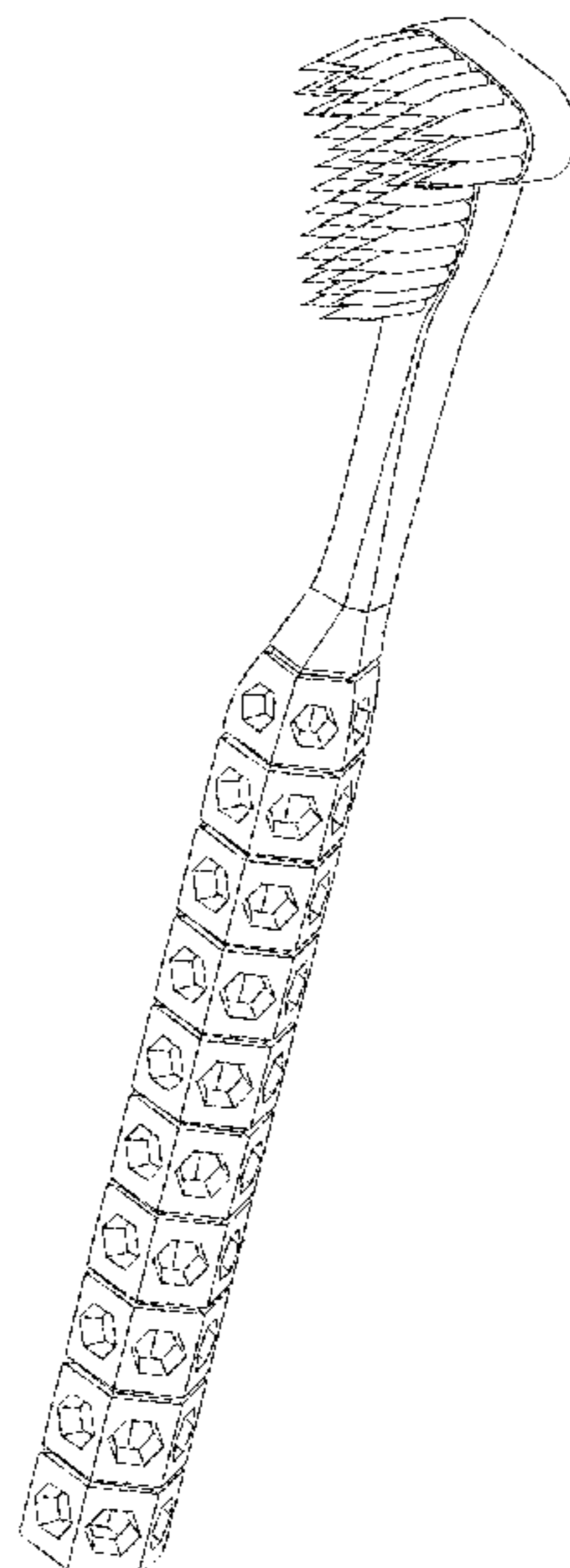
(57) **CLAIM**

The ornamental design for a toothbrush, as shown and described.

DESCRIPTION

FIG. 1 is a front elevational view of a toothbrush showing my new design;
FIG. 2 is a rear elevational view thereof;
FIG. 3 is a left side elevation view thereof;
FIG. 4 is a right side elevation view thereof;
FIG. 5 is a top plan view thereof;
FIG. 6 is a bottom plan view thereof; and,
FIG. 7 is a perspective view thereof.
The broken lines shown applied to the toothbrush illustrate features of the article of manufacture that form no part of the claimed design.

1 Claim, 6 Drawing Sheets



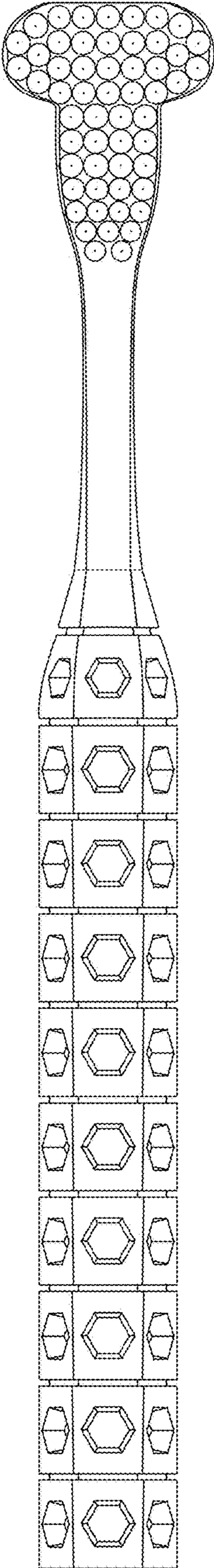


FIG. 1

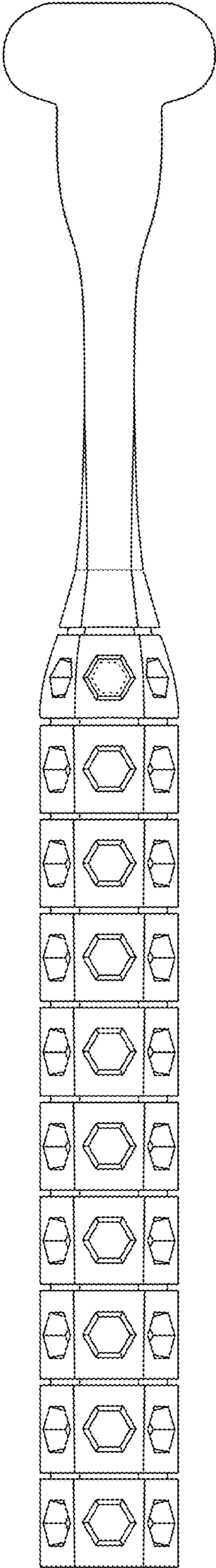


FIG. 2

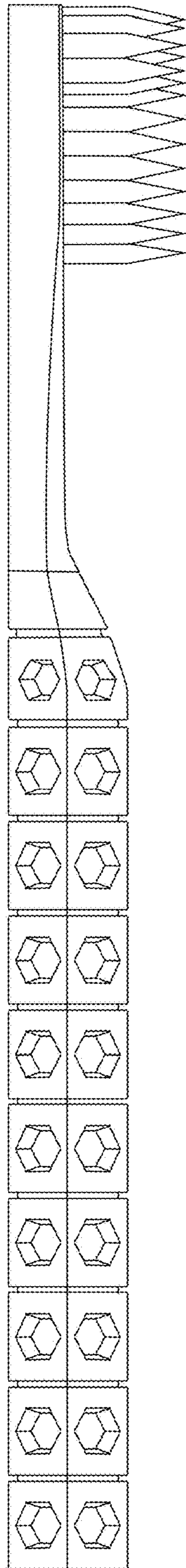


FIG. 3

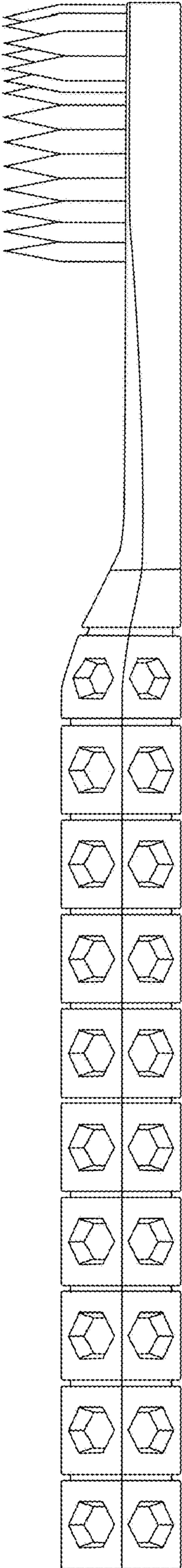


FIG. 4

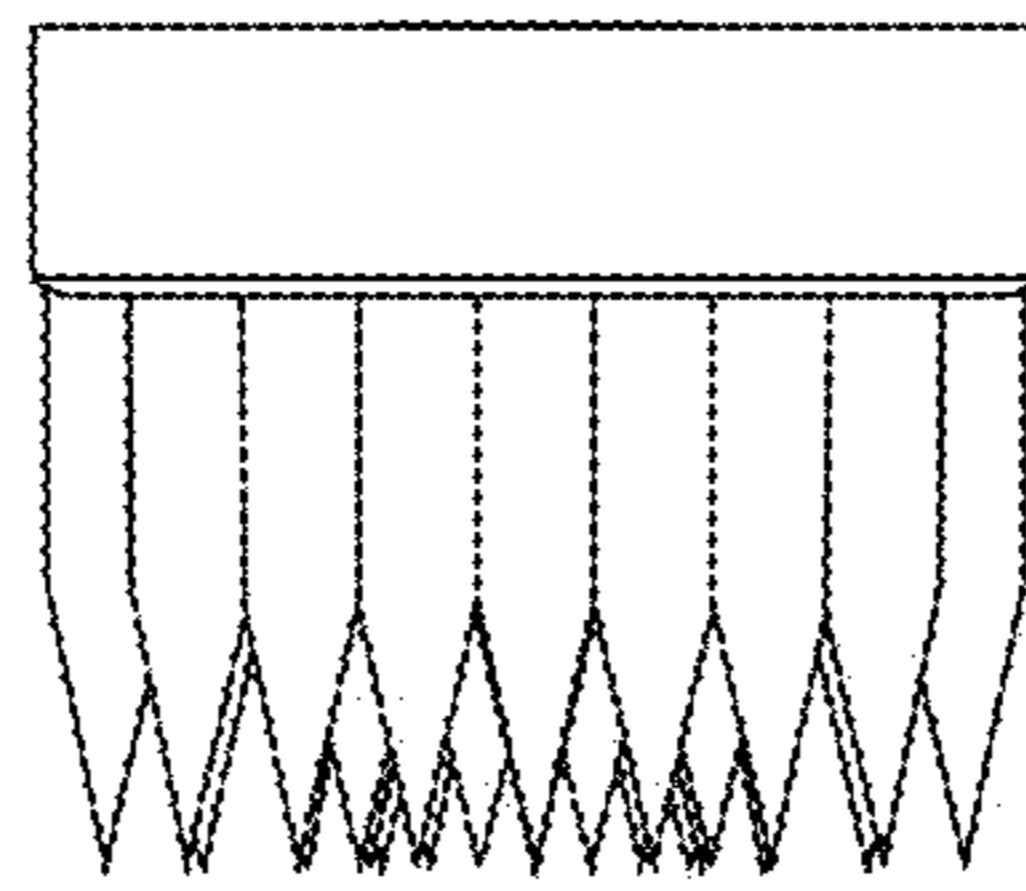


FIG. 5

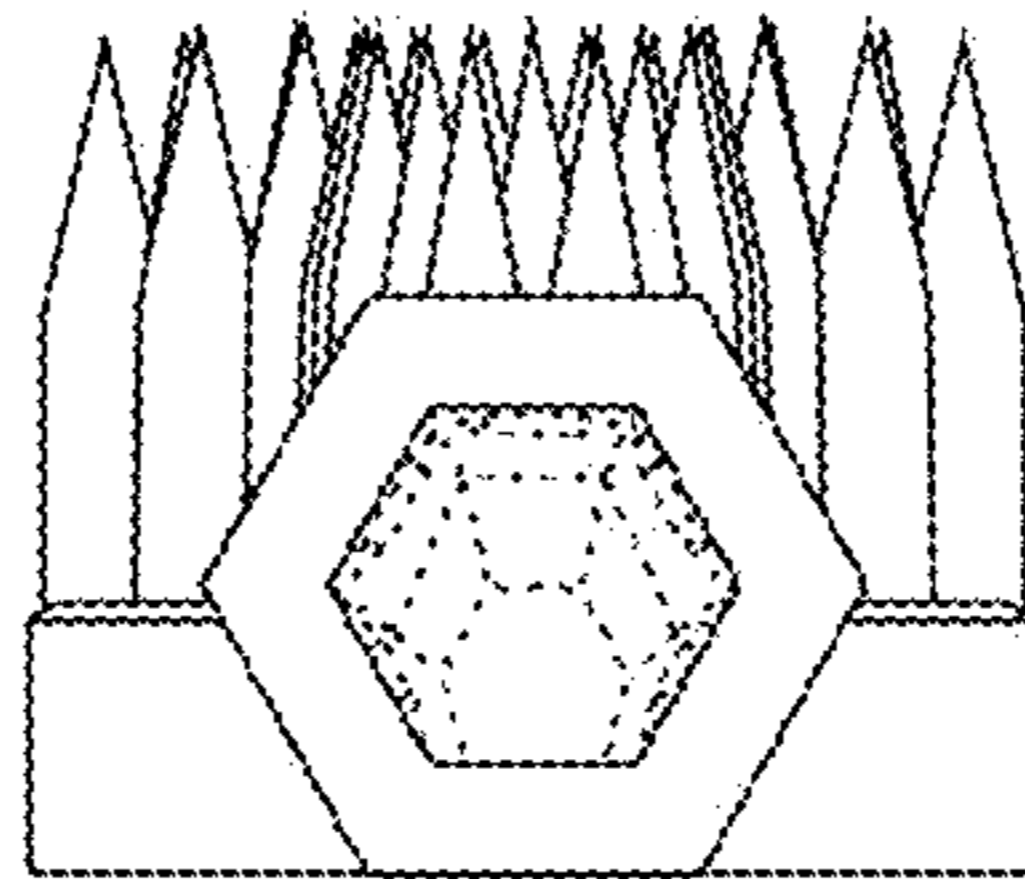


FIG. 6

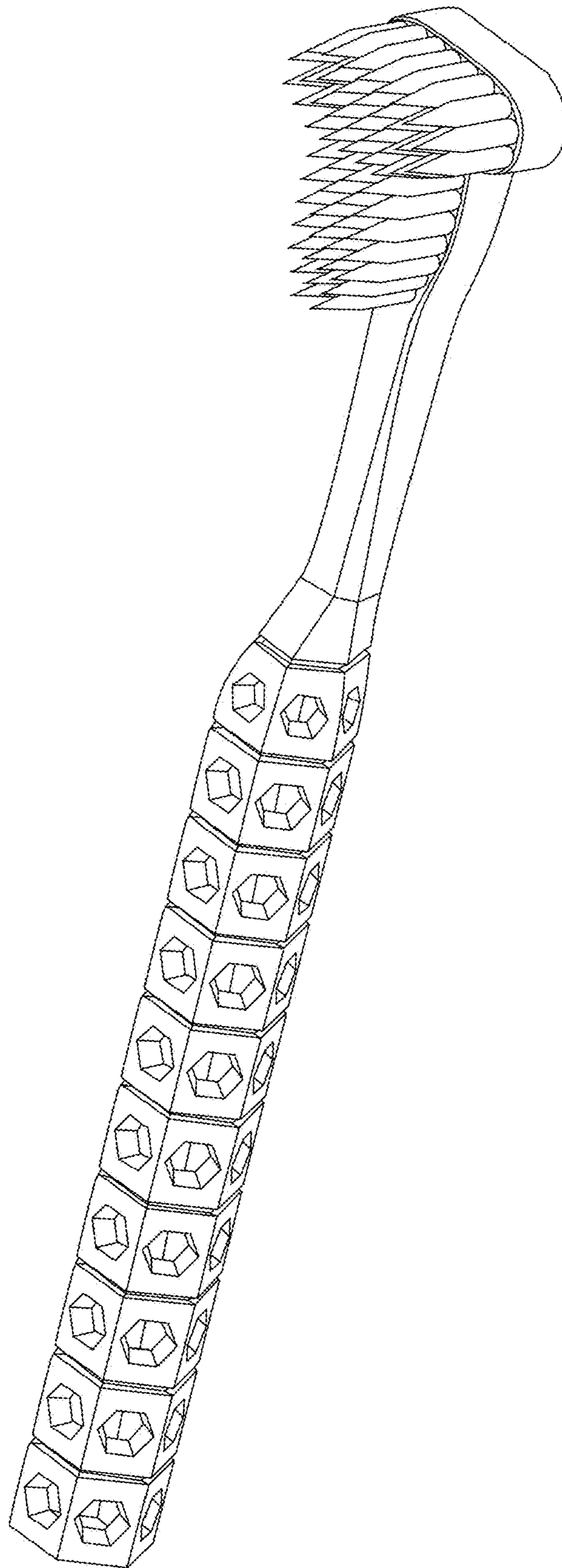


FIG. 7