



US00D932188S

(12) **United States Design Patent** (10) **Patent No.:** **US D932,188 S**
Reinhart et al. (45) **Date of Patent:** **** Oct. 5, 2021**

(54) **TOTE WITH WHEELS**
(71) Applicant: **CREATIVE PLASTIC CONCEPTS, LLC**, Sycamore, OH (US)
(72) Inventors: **Nickolas Reinhart**, Findlay, OH (US); **Jacob H. Whitta**, Findlay, OH (US)
(73) Assignee: **CREATIVE PLASTIC CONCEPTS, LLC**, Sycamore, OH (US)

D625,894 S * 10/2010 Aimer D34/14
D648,535 S * 11/2011 Reinhart D3/302
D743,171 S 11/2015 Reinhart
D756,652 S 5/2016 Reinhart
D762,387 S * 8/2016 Green D3/304
(Continued)

(**) Term: **15 Years**

(21) Appl. No.: **29/711,350**

(22) Filed: **Oct. 30, 2019**

(51) **LOC (13) Cl.** **03-01**

(52) **U.S. Cl.**
USPC **D3/312; D3/304**

(58) **Field of Classification Search**
USPC D3/272, 304–315, 318–319, 321, D3/901–902; D6/672–673, 675, 675.1, D6/683, 683.1, 583; D7/600, 600.1; D15/89; D34/17, 24
CPC ... B65D 1/00; B65D 1/22; B65D 1/24; B65D 1/34; B65D 1/36; B65D 1/38; B65D 1/225; B65D 1/243; B65D 5/00; B65D 5/42; B65D 7/14; B65D 11/00; B65D 11/14; B65D 11/20; B65D 19/00; B65D 19/02; B65D 21/00; B65D 21/02; B65D 43/162; B65D 71/0003; B65D 81/3813; B65D 81/02; B65D 2543/00194; B65D 2543/00296; B65D 2543/00222
See application file for complete search history.

(56) **References Cited**

U.S. PATENT DOCUMENTS

D358,765 S * 5/1995 Dickinson D3/279
D373,022 S * 8/1996 Sagol D3/279
D382,112 S * 8/1997 Egan D3/273
D387,558 S * 12/1997 Mann D3/307
D549,454 S * 8/2007 Ahman D3/304

OTHER PUBLICATIONS

Creative Plastic Concepts, 27 Gallon Black & Yellow Tough Box with Lid, unknown first available date, amazon.com [online], [site visited Apr. 7, 2021], Available at internet URL: <https://www.amazon.com/CREATIVE-PLASTIC-CONCEPTS-Gallon-Yellow/dp/B01NBENOQK> (Year: 2021).*

(Continued)

Primary Examiner — Jeffrey D Asch
Assistant Examiner — Caitlin A Lavery
(74) *Attorney, Agent, or Firm* — Jacob M. Ward; Ward Law Office LLC

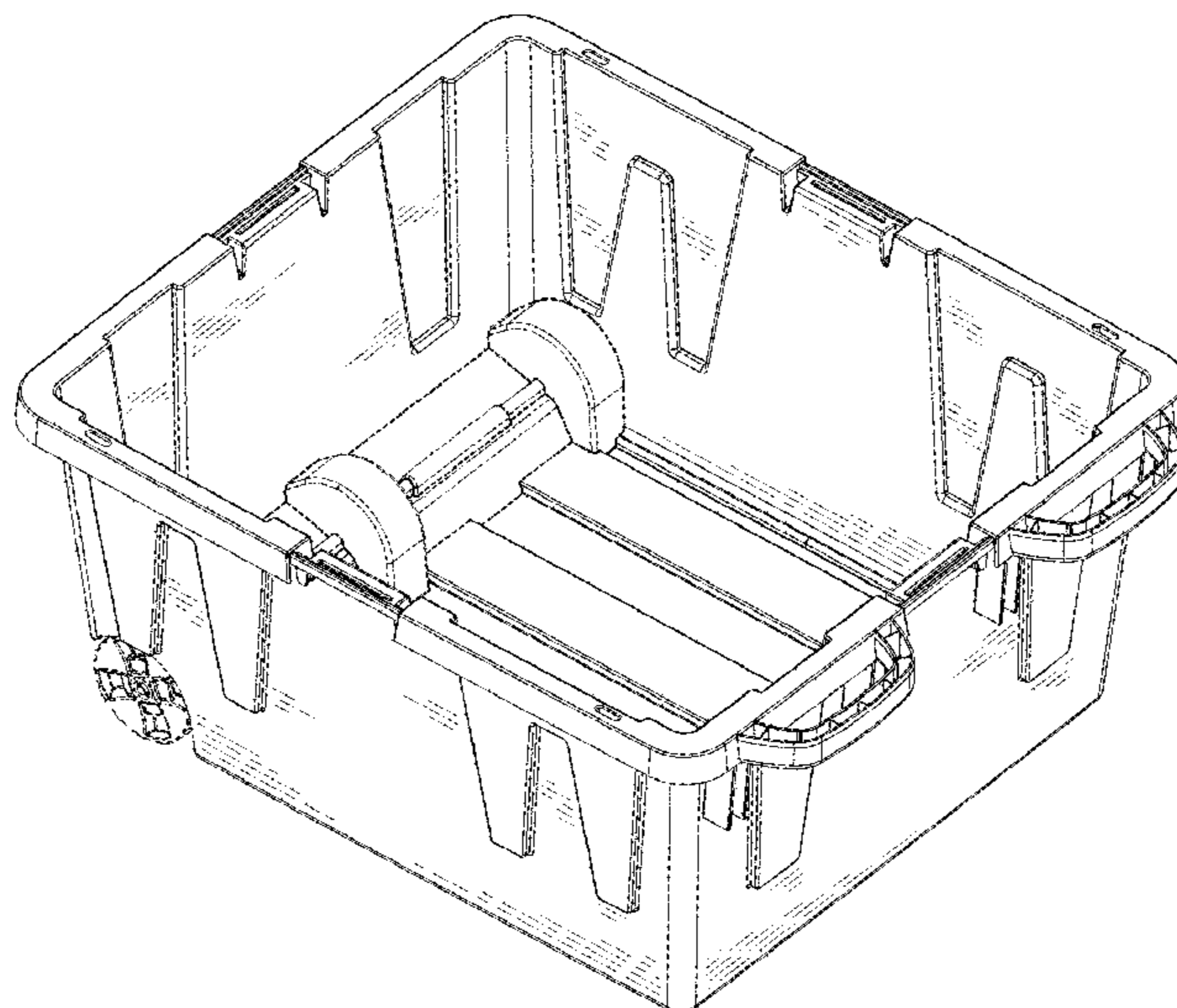
(57) **CLAIM**

The ornamental design for a tote with wheels, as shown and described.

DESCRIPTION

FIG. 1 is a top perspective view of a tote with wheels;
FIG. 2 is a front elevational view of the tote with wheels shown in FIG. 1;
FIG. 3 is a left side elevational view thereof;
FIG. 4 is a top plan view thereof;
FIG. 5 is a rear elevational view thereof; and,
FIG. 6 is a bottom plan view thereof.
A right side elevational view of the tote with wheels is not shown because it is a mirror image of the left side elevational view of the tote with wheels shown in FIG. 3.
The ornamental design which is claimed is shown in solid lines in the drawings. The broken lines shown in the drawings are for the purpose of illustrating environment and form no part of the claimed design.

1 Claim, 5 Drawing Sheets



(56)

References Cited

U.S. PATENT DOCUMENTS

| | | | | |
|--------------|------|---------|-----------------|-------------------------|
| D794,958 | S | 8/2017 | Reinhart | |
| D832,577 | S * | 11/2018 | Ogilvie | D3/304 |
| D834,315 | S | 11/2018 | Reinhart | |
| D884,347 | S * | 5/2020 | Nelson | D3/318 |
| D912,984 | S * | 3/2021 | Reinhart | D3/304 |
| D923,338 | S * | 6/2021 | Abadia | D3/307 |
| 2016/0107803 | A1 * | 4/2016 | Reinhart | B65D 43/0208 220/315 |
| 2019/0023464 | A1 * | 1/2019 | Ogilvie | A47J 47/10 |
| 2019/0092524 | A1 | 3/2019 | Reinhart et al. | |

OTHER PUBLICATIONS

Sterilite 14699002 40 Gallon/151 Liter Wheeled Industrial Tote, first available Nov. 21, 2020, amazon.com [online], [site visited Apr. 7, 2021], Available at internet URL: https://www.amazon.com/Sterilite-14699002-Wheeled-Industrial-Latches/dp/B00V87CQYM/ref=sr_1_5?dchild=1&keywords=tote+with+wheels&qid=1617822374&sr=8-5 (Year: 2020).*

70 Gal. Tough Storage Bin in Black with Wheels, unknown first available date, homedepot.com [online], [site visited Apr. 7, 2021], Available at internet URL: <https://www.homedepot.com/p/HDX-70-Gal-Tough-Storage-Bin-in-Black-with-Wheels-206203/313792519#overlay> (Year: 2021).*

Plastic Large Box Set Tools Organizer . . . , first available Mar. 2, 2019, amazon.com [online], site visited Apr. 7, 2021], Available at internet URL: https://www.amazon.com/Organizer-Equipment-Impact-Resistant-Container-Capacity/dp/B07P8F3479/ref=pd_sbs_2?pd_rd_w=v1z0N&pf_rd_p=2419a049-62bf-452e-b0d0-ca5b7e35a7b4&pf_rd_r=1HG3MG1E2YWRGHGPCA8B&pd_rd_r=c2875d4c-7280-4473-b9e1-0878990a0678&pd_rd_wg=sLWrD&pd_rd_i=B07P8F3479&psc=1 (Year: 2019).*

Stanley Tool Box, Mobile Chest, 50 Gallon (037025H), first available Sep. 27, 2017, amazon.com [online], [site visited Apr. 7, 2021], Available at internet URL: https://www.amazon.com/Stanley-037025H-Gallon-Mobile-Chest/dp/B000Q5LZT4/ref=sr_1_12?dchild=1&keywords=tote+with+wheels&qid=1617822374&sr=8-12 (Year: 2017).*

* cited by examiner

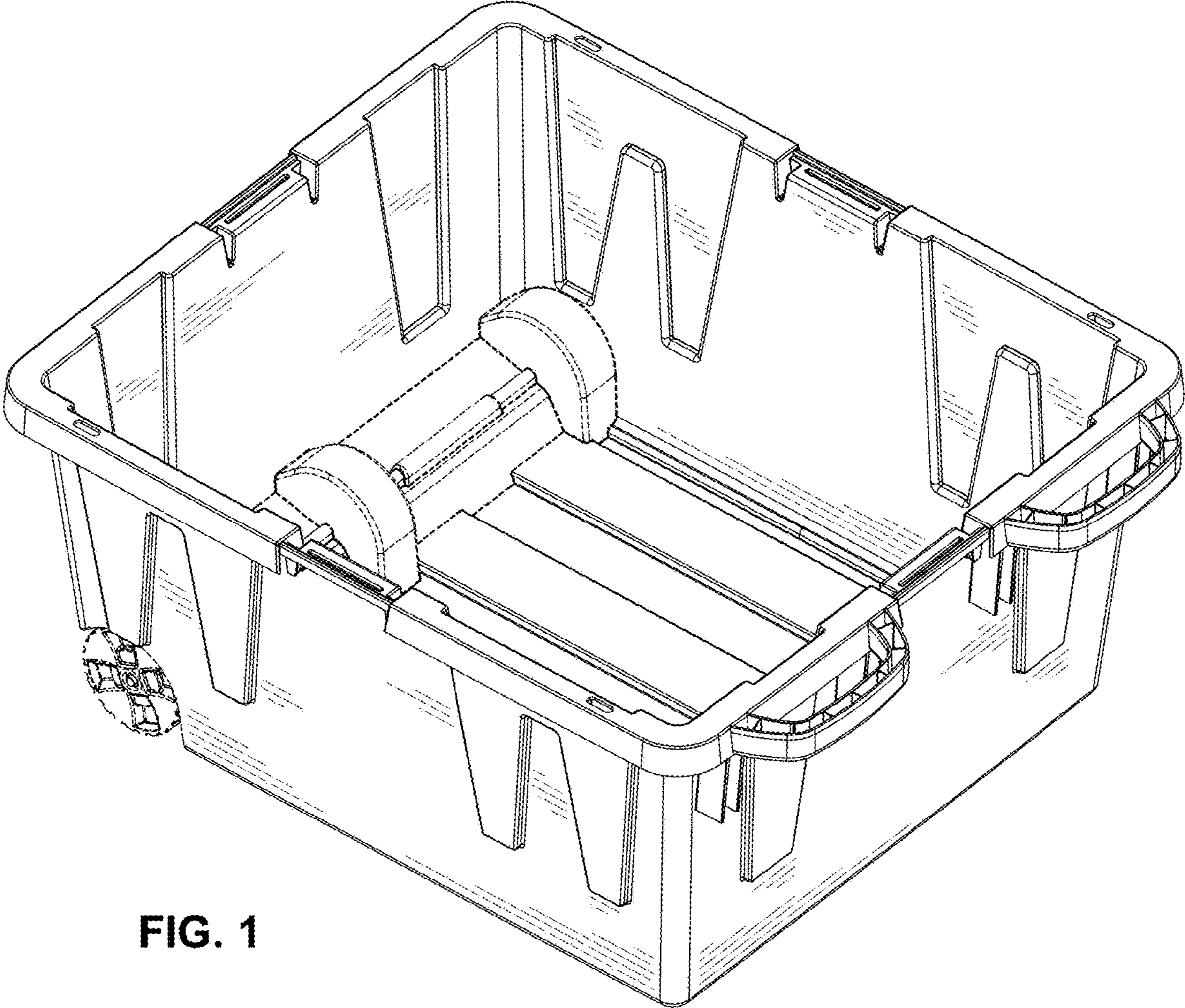


FIG. 1

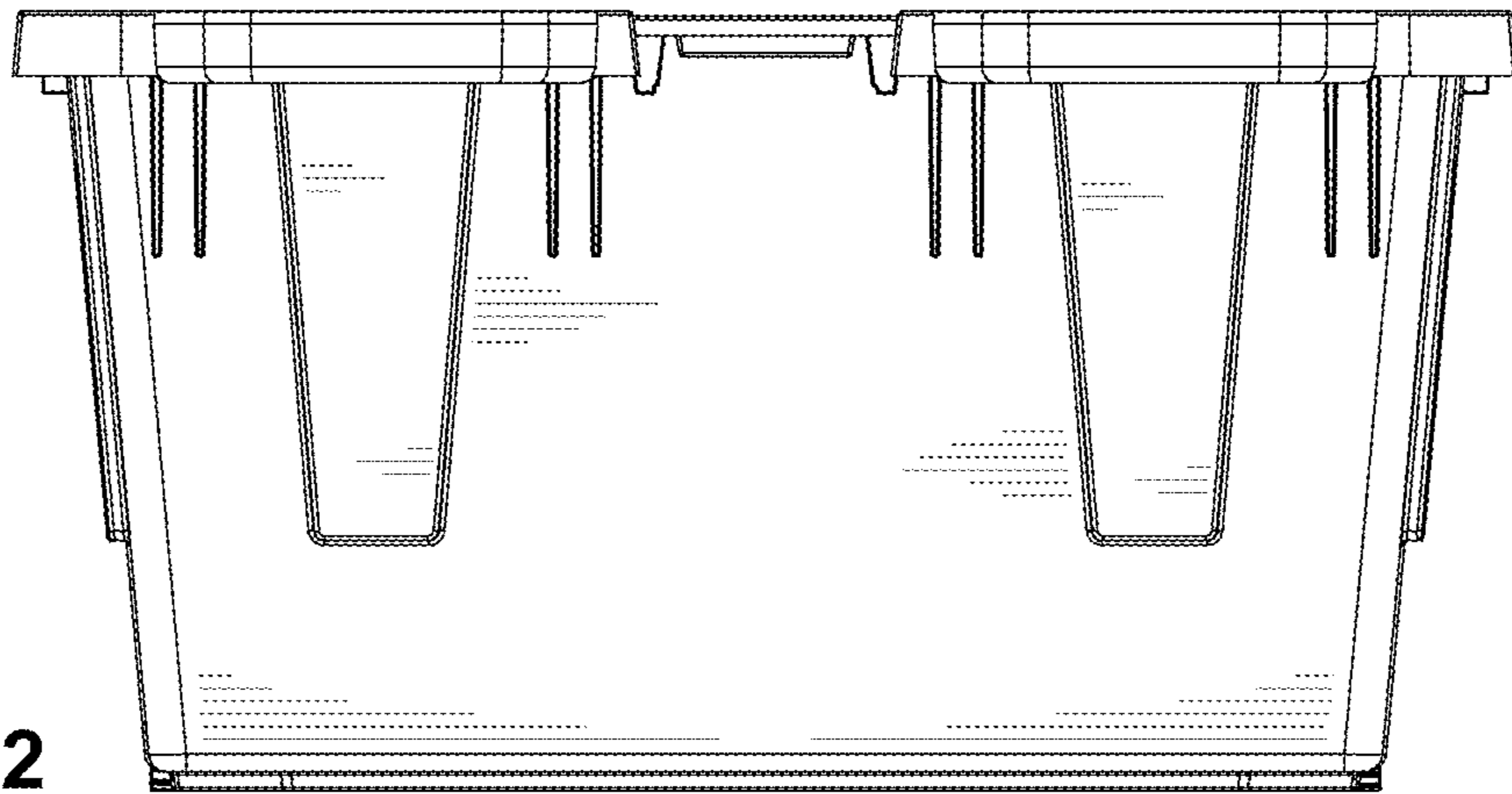


FIG. 2

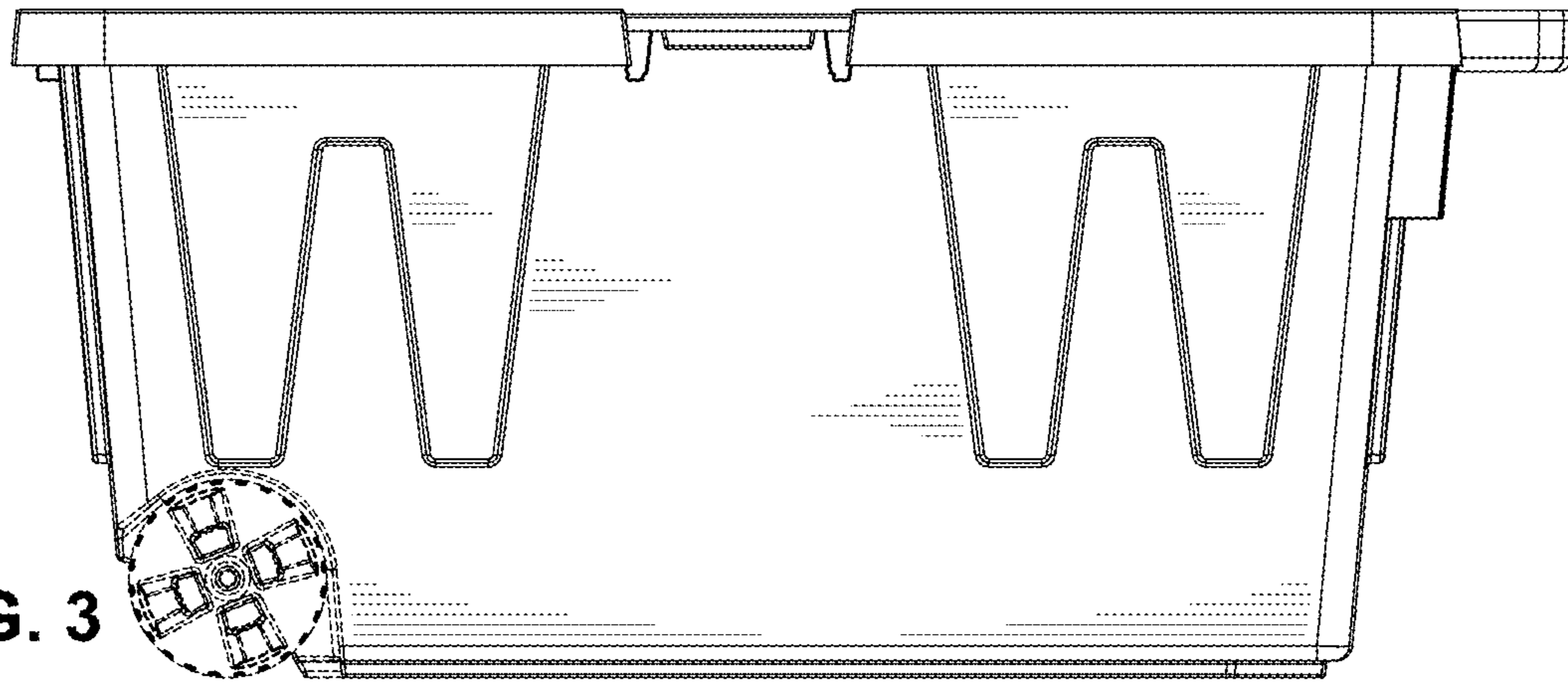


FIG. 3

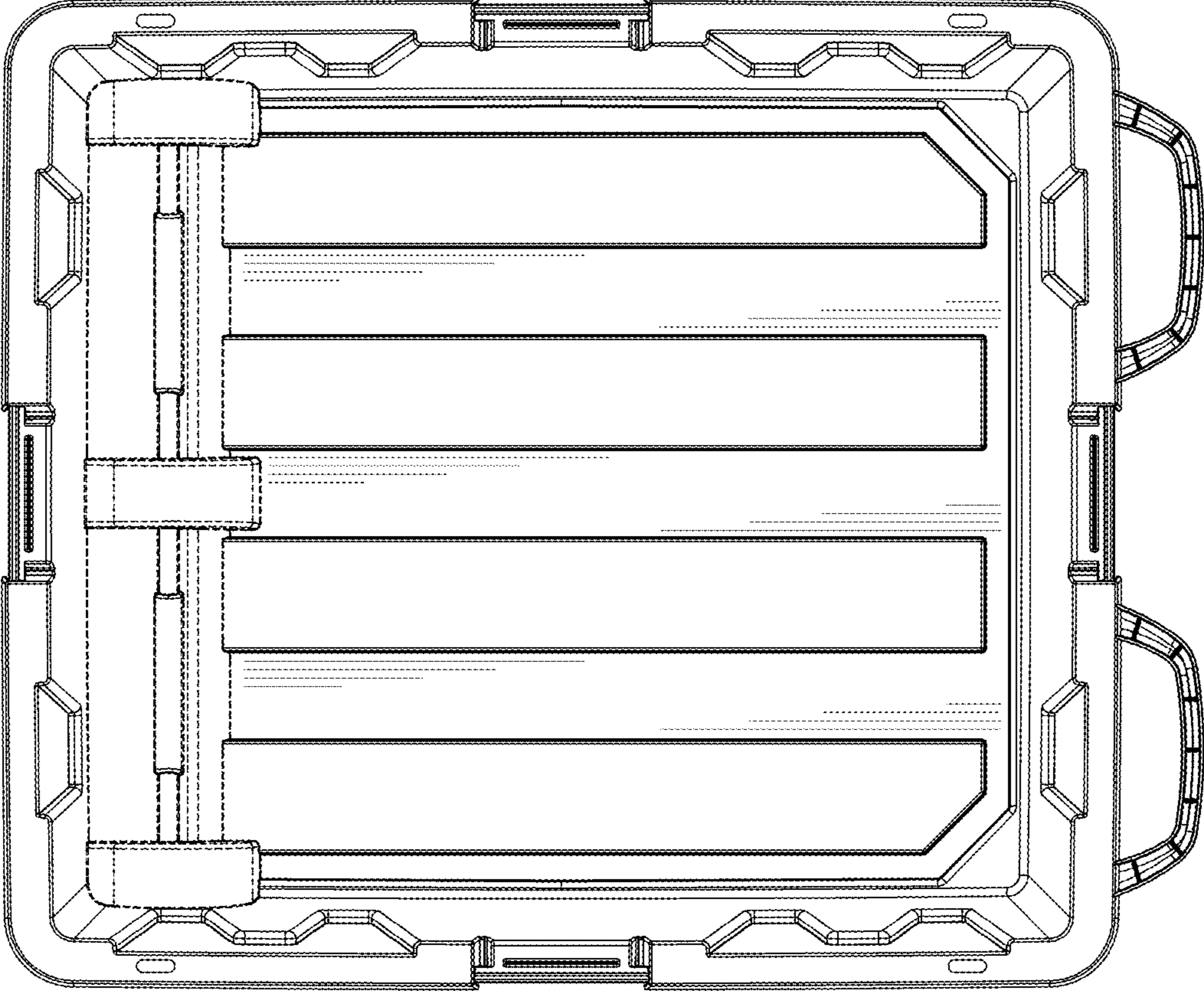


FIG. 4

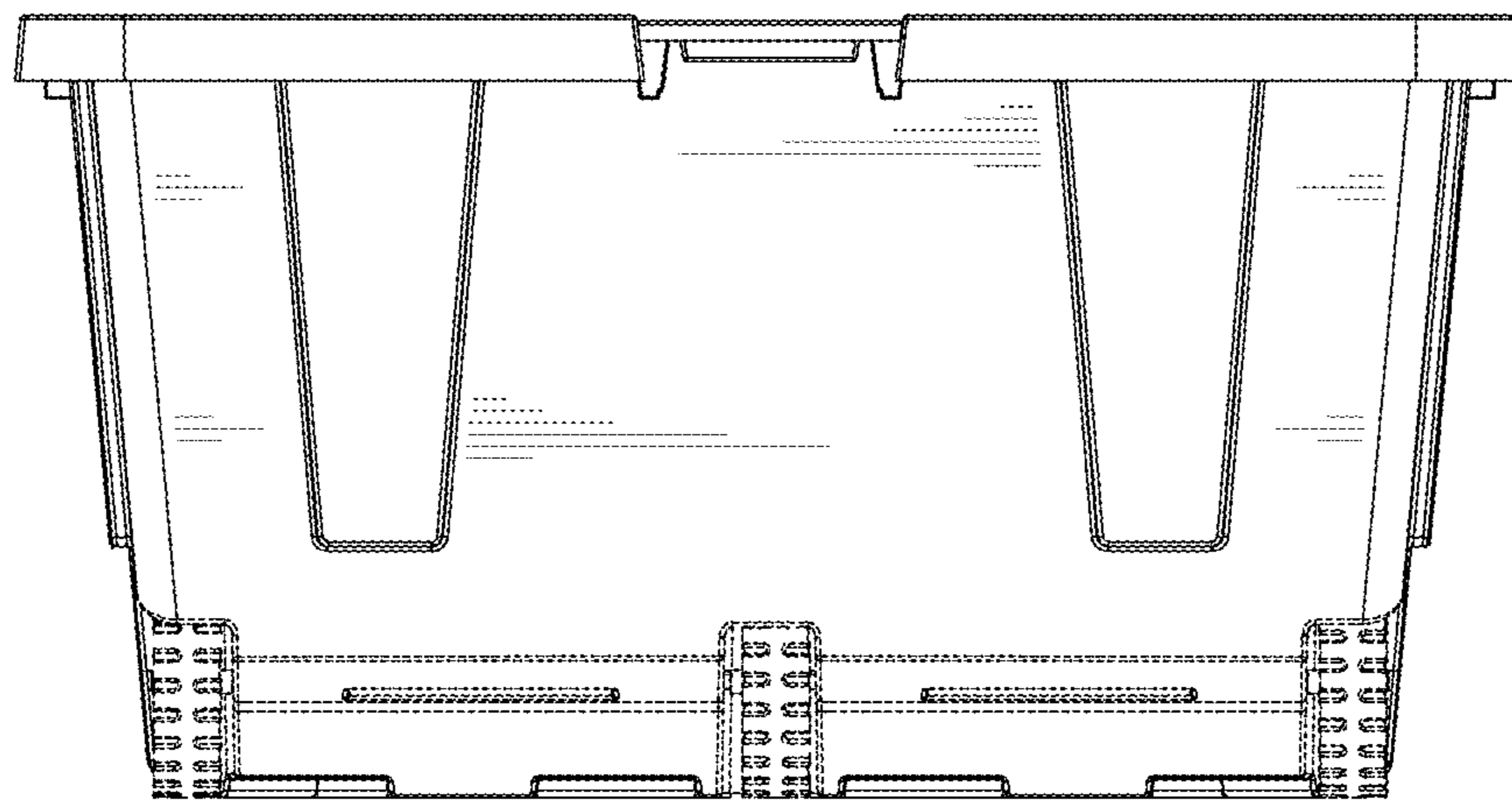


FIG. 5

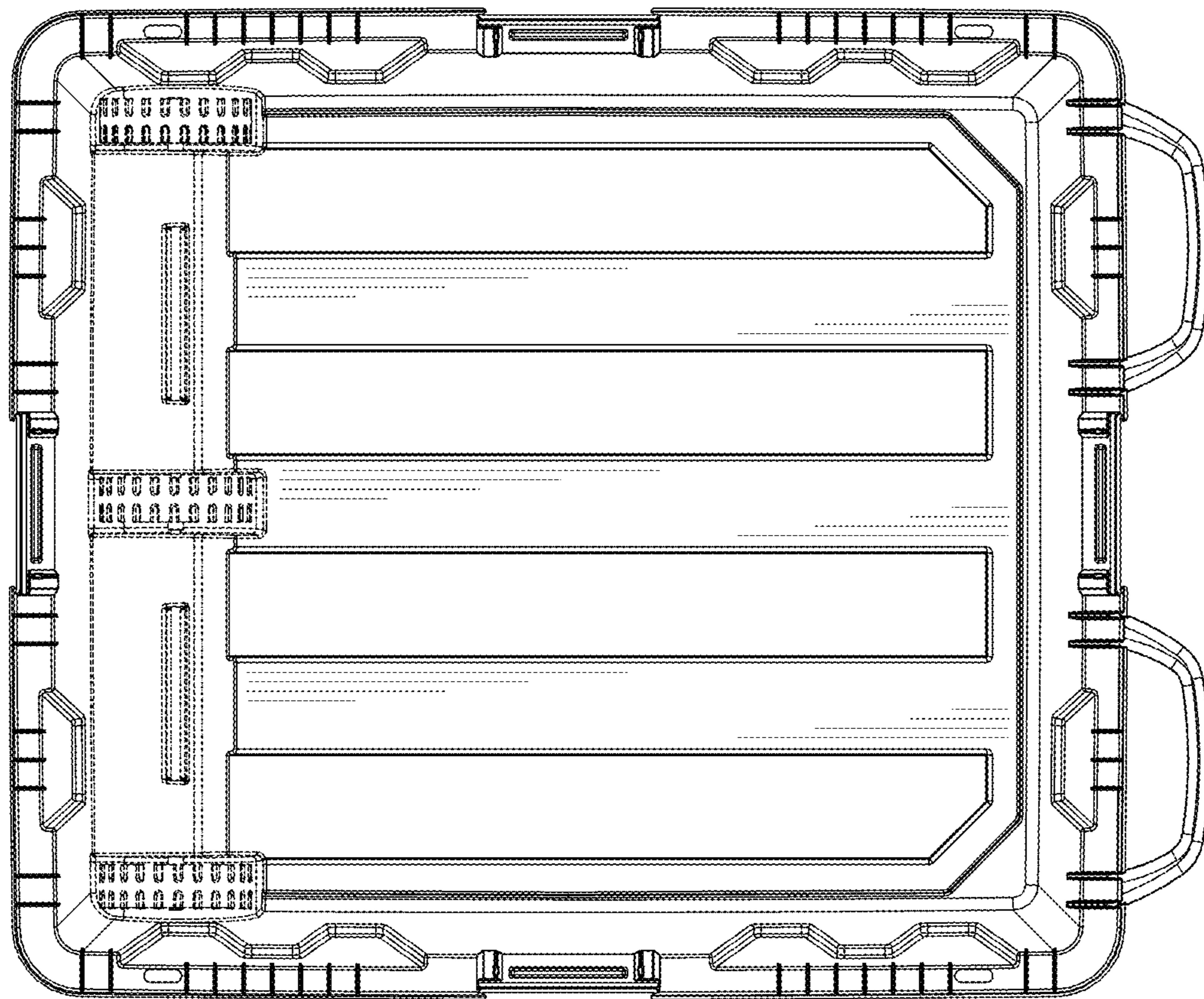


FIG. 6